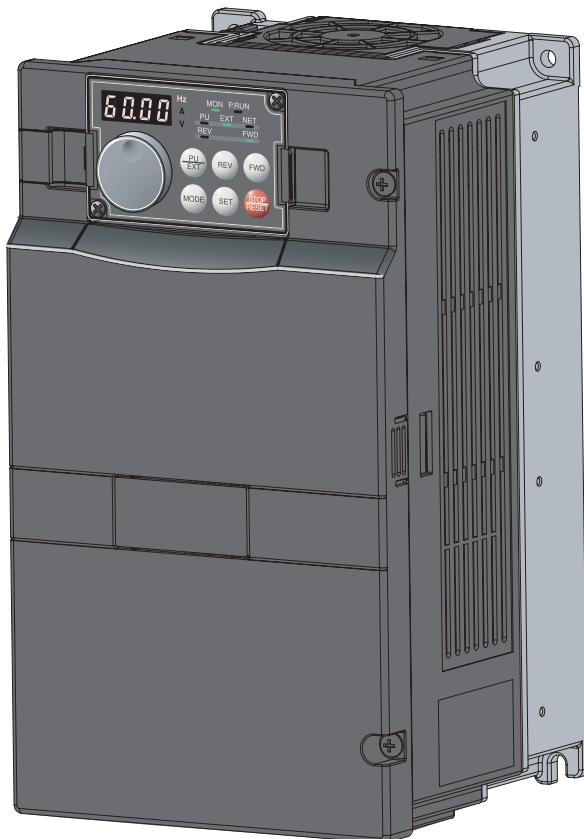


INVERTER FR-A700

INSTRUCTION MANUAL (Applied)

FR-A740-00023 to 12120-EC



OUTLINE 1

WIRING 2

PRECAUTIONS FOR USE
OF THE INVERTER 3

PARAMETERS 4

PROTECTIVE FUNCTIONS 5

PRECAUTIONS FOR
MAINTENANCE AND INSPECTION 6

SPECIFICATIONS 7

Thank you for choosing this Mitsubishi Inverter.

This Instruction Manual (applied) provides instructions for advanced use of the FR-A700 series inverters.

Incorrect handling might cause an unexpected fault. Before using the inverter, always read this instruction manual and the Installation Guideline [IB-0600256ENG] packed with the product carefully to use the equipment to its optimum.

This section is specifically about safety matters

Do not attempt to install, operate, maintain or inspect the inverter until you have read through instruction manual and appended documents carefully and can use the equipment correctly. Do not use the inverter until you have a full knowledge of the equipment, safety information and instructions. In this instruction manual, the safety instruction levels are classified into "WARNING" and "CAUTION".

⚠ WARNING Assumes that incorrect handling may cause hazardous conditions, resulting in death or severe injury.

⚠ CAUTION Assumes that incorrect handling may cause hazardous conditions, resulting in medium or slight injury, or may cause physical damage only.

Note that even the **⚠ CAUTION** level may lead to a serious consequence according to conditions. Please follow strictly the instructions of both levels because they are important to personnel safety.

1. Electric Shock Prevention

⚠ WARNING

- While power is on or when the inverter is running, do not open the front cover. Otherwise you may get an electric shock.
- Do not run the inverter with the front cover or wiring cover removed. Otherwise, you may access the exposed high-voltage terminals or the charging part of the circuitry and get an electric shock.
- Even if power is off, do not remove the front cover except for wiring or periodic inspection. You may access the charged inverter circuits and get an electric shock.
- Before starting wiring or inspection, check to make sure that the operation panel indicator is off, wait for at least 10 minutes after the power supply has been switched off, and check that there are no residual voltage using a tester or the like. The capacitor is charged with high voltage for some time after power off and it is dangerous.
- This inverter must be earthed (grounded). Earthing (Grounding) must conform to the requirements of national and local safety regulations and electrical codes. (JIS, NEC section 250, IEC 536 class 1 and other applicable standards)
- Any person who is involved in the wiring or inspection of this equipment should be fully competent to do the work.
- Always install the inverter before wiring. Otherwise, you may get an electric shock or be injured.
- Perform setting dial and key operations with dry hands to prevent an electric shock. Otherwise you may get an electric shock.
- Do not subject the cables to scratches, excessive stress, heavy loads or pinching. Otherwise you may get an electric shock.
- Do not replace the cooling fan while power is on. It is dangerous to replace the cooling fan while power is on.
- Do not touch the printed circuit board with wet hands. You may get an electric shock.

2. Fire Prevention

⚠ CAUTION

- Install the inverter on an incombustible wall without holes, etc. Mounting it to or near combustible material can cause a fire.
- If the inverter has become faulty, switch off the inverter power. A continuous flow of large current could cause a fire.
- When using a brake resistor, make up a sequence that will turn off power when an alarm signal is output. Otherwise, the brake resistor may excessively overheat due to damage of the brake transistor and such, causing a fire.
- Do not connect a resistor directly to the DC terminals P+, N-. This could cause a fire.

3. Injury Prevention

⚠ CAUTION

- Apply only the voltage specified in the instruction manual to each terminal. Otherwise, burst, damage, etc. may occur.
- Ensure that the cables are connected to the correct terminals. Otherwise, burst, damage, etc. may occur.
- Always make sure that polarity is correct to prevent damage, etc. Otherwise, burst, damage, etc. may occur.
- While power is on or for some time after power-off, do not touch the inverter as it is hot and you may get burnt.

4. Additional Instructions

Also note the following points to prevent an accidental failure, injury, electric shock, etc.

(1) Transportation and installation

⚠ CAUTION

- When carrying products, use correct lifting gear to prevent injury.
- Do not stack the inverter boxes higher than the number recommended.
- Ensure that installation position and material can withstand the weight of the inverter. Install according to the information in the instruction manual.
- Do not install or operate the inverter if it is damaged or has parts missing. This can result in breakdowns.
- When carrying the inverter, do not hold it by the front cover or setting dial; it may fall off or fail.
- Do not stand or rest heavy objects on the product.
- Check the inverter mounting orientation is correct.
- Prevent other conductive bodies such as screws and metal fragments or other flammable substance such as oil from entering the inverter.
- As the inverter is a precision instrument, do not drop or subject it to impact.
- Use the inverter under the following environmental conditions. Otherwise, the inverter may be damaged.

Environment	Ambient temperature	LD, ND (initial setting), HD	-10°C to +50°C (non-freezing)
		SLD	-10°C to +40°C (non-freezing)
	Ambient humidity		90% RH or less (non-condensing)
	Storage temperature		-20°C to +65°C *1
	Atmosphere		Indoors (free from corrosive gas, flammable gas, oil mist, dust and dirt)
	Altitude, vibration		Maximum 1000m above sea level for standard operation. After that derate by 3% for every extra 500m up to 2500m (92%) 5.9m/s ² or less *2 (conforming to JIS C 60068-2-6)

*1 Temperature applicable for a short time, e.g. in transit.

*2 2.9m/s² or less for the 04320 or more.

(2) Wiring

⚠ CAUTION

- Do not install a power factor correction capacitor or surge suppressor/radio noise filter (capacitor type filter) on the inverter output side.
- The connection orientation of the output cables U, V, W to the motor will affect the direction of rotation of the motor.


(3) Test operation and adjustment

⚠ CAUTION

- Before starting operation, confirm and adjust the parameters. A failure to do so may cause some machines to make unexpected motions.

(4) Operation

⚠ WARNING

- When you have chosen the retry function, stay away from the equipment as it will restart suddenly after an alarm stop.
- Since the  key is valid only when functions are set (refer to page 289), provide a circuit to make an emergency stop (power off, mechanical brake operation for emergency stop, etc), and switch separately.
- Make sure that the start signal is off before resetting the inverter alarm. A failure to do so may restart the motor suddenly.
- The load used should be a three-phase induction motor only. Connection of any other electrical equipment to the inverter output may damage the inverter as well as equipment.
- Performing pre-excitation (LX signal and X13 signal) under torque control (real sensorless vector control) may start the motor running at a low speed even when the start command (STF or STR) is not input. The motor may run also at a low speed when the speed limit value = 0 with a start command input. Perform pre-excitation after making sure that there will be no problem in safety if the motor runs.
- Do not modify the equipment.
- Do not perform parts removal which is not instructed in this manual. Doing so may lead to fault or damage of the inverter.

⚠ CAUTION

- The electronic thermal relay function does not guarantee protection of the motor from overheating.
- Do not use a magnetic contactor on the inverter input for frequent starting/stopping of the inverter.
- Use a noise filter to reduce the effect of electromagnetic interference. Otherwise nearby electronic equipment may be affected.
- Take measures to suppress harmonics. Otherwise power supply harmonics from the inverter may heat/damage the power factor correction capacitor and generator.
- When a 400V class motor is inverter-driven, please use an insulation-enhanced motor or measures taken to suppress surge voltages. Surge voltages attributable to the wiring constants may occur at the motor terminals, deteriorating the insulation of the motor.
- When parameter clear or all clear is performed, reset the required parameters before starting operations. Each parameter returns to the initial value.
- The inverter can be easily set for high-speed operation. Before changing its setting, fully examine the performances of the motor and machine.
- In addition to the inverter's holding function, install a holding device to ensure safety.
- Before running an inverter which had been stored for a long period, always perform inspection and test operation.
- For prevention of damage due to static electricity, touch nearby metal before touching this product to eliminate static electricity from your body.

(5) Emergency stop

⚠ CAUTION

- Provide a safety backup such as an emergency brake which will prevent the machine and equipment from hazardous conditions if the inverter fails.
- When the breaker on the inverter input side trips, check for the wiring fault (short circuit), damage to internal parts of the inverter, etc. Identify the cause of the trip, then remove the cause and power on the breaker.
- When the protective function is activated, take the corresponding corrective action, then reset the inverter, and resume operation.

(6) Maintenance, inspection and parts replacement

⚠ CAUTION

- Do not carry out a megger (insulation resistance) test on the control circuit of the inverter.

(7) Disposing of the inverter

⚠ CAUTION

- Treat as industrial waste.

General instructions

Many of the diagrams and drawings in this instruction manual show the inverter without a cover, or partially open. Never run the inverter in this status. Always replace the cover and follow this instruction manual when operating the inverter.

CONTENTS

1	OUTLINE	1
1.1	Product checking and parts identification	2
1.2	Inverter and peripheral devices	3
1.2.1	Peripheral devices	4
1.3	Method of removal and reinstallation of the front cover.....	5
1.4	Installation of the inverter and enclosure design	7
1.4.1	Inverter installation environment.....	7
1.4.2	Cooling system types for inverter enclosure.....	9
1.4.3	Inverter placement.....	9
2	WIRING	11
2.1	Wiring.....	12
2.1.1	Terminal connection diagram	12
2.1.2	EMC filter	13
2.2	Main circuit terminal specifications	14
2.2.1	Specification of main circuit terminal	14
2.2.2	Terminal arrangement of the main circuit terminal, power supply and the motor wiring.	15
2.2.3	Cables and wiring length	18
2.2.4	When connecting the control circuit and the main circuit separately to the power supply (separate power)	21
2.3	Control circuit specifications	23
2.3.1	Control circuit terminals	23
2.3.2	Changing the control logic.....	26
2.3.3	Control circuit terminal layout	28
2.3.4	Wiring instructions	29
2.3.5	When connecting the operation panel using a connection cable	30
2.3.6	RS-485 terminal block	30
2.3.7	Communication operation.....	30
2.4	Connection of motor with encoder (vector control).....	31
2.5	Connection of stand-alone option units	37
2.5.1	Connection of the dedicated external brake resistor (FR-ABR) (00620 or less).....	37
2.5.2	Connection of the brake unit (FR-BU/MT-BU5).....	40
2.5.3	Connection of the brake unit (BU type)	42
2.5.4	Connection of the high power factor converter (FR-HC/MT-HC).....	42
2.5.5	Connection of the power regeneration common converter (FR-CV) (01800 or less).....	44

2.5.6	Connection of power regeneration converter (MT-RC) (02160 or more).....	45
2.5.7	Connection of the power factor improving DC reactor (FR-HEL)	45

3 PRECAUTIONS FOR USE OF THE INVERTER 47

3.1	Noise and leakage currents	48
3.1.1	Leakage currents and countermeasures	48
3.1.2	Inverter-generated noises and their reduction techniques	50
3.1.3	Power supply harmonics	52
3.2	Installation of a reactor	53
3.3	Power-off and magnetic contactor (MC).....	54
3.4	Inverter-driven 400V class motor	55
3.5	Precautions for use of the inverter	56

4 PARAMETERS 59

4.1	Operation panel (FR-DU07)	60
4.1.1	Parts of the operation panel (FR-DU07).....	60
4.1.2	Basic operation (factory setting).....	61
4.1.3	Change the parameter setting value	62
4.1.4	Setting dial push	62
4.2	Parameter List	63
4.2.1	Parameter list	63
4.3	Control mode.....	81
4.3.1	What is vector control?	82
4.3.2	Change the control method (Pr. 80, Pr. 81, Pr. 451, Pr. 800)	85
4.4	Speed control by real sensorless vector control, vector control.....	89
4.4.1	Setting procedure of real sensorless vector control (speed control)	90
4.4.2	Setting procedure of vector control (speed control)	91
4.4.3	Torque limit level setting for speed control (Pr. 22, Pr. 803, Pr. 810 to Pr. 817, Pr. 858, Pr. 868, Pr. 874)	92
4.4.4	To perform high accuracy/fast response operation (gain adjustment of real sensorless vector control and vector control) (Pr. 818 to Pr. 821, Pr. 830, Pr. 831, Pr. 880)	97
4.4.5	Speed feed forward control, model adaptive speed control (Pr. 828, Pr. 877 to Pr. 881) ...	104
4.4.6	Torque biases (Pr. 840 to Pr. 848)	106
4.4.7	Prevent the motor from overrunning (Pr. 285, Pr. 853, Pr. 873)	109
4.4.8	Notch filter (Pr. 862, Pr. 863)	110

4.5	Torque control by real sensorless vector control, vector control	111
4.5.1	Torque control	111
4.5.2	Setting procedure of real sensorless vector control (torque control)	113
4.5.3	Setting procedure of vector control (torque control)	114
4.5.4	Torque command (Pr. 803 to Pr. 806).....	115
4.5.5	Speed limit (Pr. 807 to Pr. 809)	117
4.5.6	Gain adjustment of torque control (Pr. 824, Pr. 825, Pr. 834, Pr. 835)	120
4.6	Position control by vector control	122
4.6.1	Position control	122
4.6.2	Conditional position feed function by contact input (Pr. 419, Pr. 464 to Pr. 494)	124
4.6.3	Position control (Pr. 419, Pr. 428 to Pr. 430) by inverter pulse train input	127
4.6.4	Setting of the electronic gear (Pr. 420, Pr. 421, Pr. 424)	129
4.6.5	Setting of positioning adjustment parameter (Pr. 426, Pr. 427)	130
4.6.6	Gain adjustment of position control (Pr. 422, Pr. 423, Pr. 425)	131
4.6.7	Trouble shooting for when position control is not exercised normally	133
4.7	Adjustment of real sensorless vector control, vector control.....	134
4.7.1	Speed detection filter and torque detection filter (Pr. 823, Pr. 827, Pr. 833, Pr. 837)	134
4.7.2	Excitation ratio (Pr. 854)	135
4.8	Adjust the output torque of the motor (current)	136
4.8.1	Manual torque boost (Pr. 0, Pr. 46, Pr. 112).....	136
4.8.2	Advanced magnetic flux vector control (Pr. 71, Pr. 80, Pr. 81, Pr. 89, Pr. 450, Pr. 451, Pr. 453, Pr. 454, Pr. 569, Pr. 800)	138
4.8.3	Slip compensation (Pr. 245 to Pr. 247).....	141
4.8.4	Stall prevention operation (Pr. 22, Pr. 23, Pr. 48, Pr. 49, Pr. 66, Pr. 114, Pr. 115, Pr. 148, Pr. 149, Pr. 154, Pr. 156, Pr. 157, Pr. 858, Pr. 868)	142
4.8.5	Multiple rating (Pr. 570)	147
4.9	Limit the output frequency.....	149
4.9.1	Maximum/minimum frequency (Pr. 1, Pr. 2, Pr. 18)	149
4.9.2	Avoid mechanical resonance points (Frequency jump) (Pr. 31 to Pr. 36)	150
4.10	Set V/F pattern.....	151
4.10.1	Base frequency, voltage (Pr. 3, Pr. 19, Pr. 47, Pr. 113)	151
4.10.2	Load pattern selection (Pr. 14)	153
4.10.3	Elevator mode (automatic acceleration/deceleration) (Pr. 61, Pr. 64, Pr. 292)	155
4.10.4	Adjustable 5 points V/F (Pr. 71, Pr. 100 to Pr. 109)	157
4.11	Frequency setting by external terminals	158
4.11.1	Multi-speed setting operation (Pr. 4 to Pr. 6, Pr. 24 to Pr. 27, Pr. 232 to Pr. 239)	158
4.11.2	Jog operation (Pr. 15, Pr. 16)	160

4.11.3	Input compensation of multi-speed and remote setting (Pr. 28).....	162
4.11.4	Remote setting function (Pr. 59).....	162
4.12	Setting of acceleration/deceleration time and acceleration/deceleration pattern.....	165
4.12.1	Setting of the acceleration and deceleration time (Pr. 7, Pr. 8, Pr. 20, Pr. 21, Pr. 44, Pr. 45, Pr. 110, Pr. 111).....	165
4.12.2	Starting frequency and start-time hold function (Pr. 13, Pr. 571)	167
4.12.3	Acceleration/deceleration pattern (Pr. 29, Pr. 140 to Pr. 143, Pr. 380 to Pr. 383, Pr. 516 to Pr. 519)	168
4.12.4	Shortest acceleration/deceleration and optimum acceleration/deceleration (automatic acceleration/deceleration) (Pr. 61 to Pr. 63, Pr. 292, Pr. 293).....	171
4.13	Selection and protection of a motor	173
4.13.1	Motor protection from overheat (Electronic thermal relay function) (Pr. 9, Pr. 51)	173
4.13.2	Applied motor (Pr. 71, Pr. 450).....	176
4.13.3	Offline auto tuning (Pr. 71, Pr. 80 to Pr. 84, Pr. 90 to Pr. 94, Pr. 96, Pr. 450, Pr. 453 to Pr. 463, Pr. 684, Pr. 859, Pr. 860)	178
4.13.4	Online auto tuning (Pr. 95, Pr. 574)	188
4.14	Motor brake and stop operation	191
4.14.1	DC injection brake and zero speed control, servo lock (LX signal, X13 signal, Pr. 10 to Pr. 12, Pr. 802, Pr. 850).....	191
4.14.2	Selection of regenerative brake and DC feeding (Pr. 30, Pr. 70)	195
4.14.3	Stop selection (Pr. 250).....	201
4.14.4	Stop-on contact control function (Pr. 6, Pr. 48, Pr. 270, Pr. 275, Pr. 276)	202
4.14.5	Brake sequence function (Pr. 278 to Pr. 285, Pr. 292).....	205
4.14.6	Orientation control (Pr. 350 to Pr. 366, Pr. 369, Pr. 393, Pr. 396 to Pr. 399)	208
4.15	Function assignment of external terminal and control	219
4.15.1	Input terminal function selection (Pr. 178 to Pr. 189)	219
4.15.2	Inverter output shutoff signal (MRS signal, Pr. 17).....	222
4.15.3	Condition selection of function validity by the second function selection signal (RT) and third function selection signal (X9) (RT signal, X9 signal, Pr. 155).....	223
4.15.4	Start signal selection (terminal STF, STR, STOP, Pr. 250).....	224
4.15.5	Output terminal function selection (Pr. 190 to Pr. 196).....	226
4.15.6	Detection of output frequency (SU, FU, FU2, FU3, FB, FB2, FB3, LS signal, Pr. 41 to Pr. 43, Pr. 50, Pr. 116, Pr. 865)	233
4.15.7	Output current detection function (Y12 signal, Y13 signal, Pr. 150 to Pr. 153, Pr. 166, Pr. 167)	235
4.15.8	Detection of output torque (TU signal, Pr. 864).....	236
4.15.9	Remote output function (REM signal, Pr. 495 to Pr. 497)	237
4.16	Monitor display and monitor output signal	238
4.16.1	Speed display and speed setting (Pr. 37, Pr. 144, Pr. 505, Pr. 811).....	238

4.16.2	DU/PU, CA, AM terminal monitor display selection (Pr. 52, Pr. 54, Pr. 158, Pr. 170, Pr. 171, Pr. 268, Pr. 563, Pr. 564, Pr. 891)	240
4.16.3	Reference of the terminal CA (analog current output) and AM (analog voltage output) (Pr. 55, Pr. 56, Pr. 866, Pr. 867, Pr. 869)	245
4.16.4	Terminal CA, AM calibration (Calibration parameter C0 (Pr. 900), C1 (Pr. 901), C8 (Pr. 930) to C11 (Pr. 931))	247
4.17	Operation selection at power failure and instantaneous power failure.....	250
4.17.1	Automatic restart after instantaneous power failure/flying start (Pr. 57, Pr. 58, Pr. 162 to Pr. 165, Pr. 299, Pr. 611).....	250
4.17.2	Power failure-time deceleration-to-stop function (Pr. 261 to Pr. 266, Pr. 294)	254
4.18	Operation setting at alarm occurrence	257
4.18.1	Retry function (Pr. 65, Pr. 67 to Pr. 69)	257
4.18.2	Alarm code output selection (Pr. 76)	259
4.18.3	Input/output phase failure protection selection (Pr. 251, Pr. 872)	260
4.18.4	Overspeed detection (Pr. 374)	260
4.18.5	Encoder signal loss detection (Pr. 376)	260
4.18.6	Fault definition (Pr. 875)	261
4.19	Energy saving operation and energy saving monitor	262
4.19.1	Energy saving control (Pr. 60)	262
4.19.2	Energy saving monitor (Pr. 891 to Pr. 899)	263
4.20	Motor noise, noise reduction	268
4.20.1	PWM carrier frequency and Soft-PWM control (Pr. 72, Pr. 240, Pr. 260)	268
4.21	Frequency/torque setting by analog input (terminal 1, 2, 4)	270
4.21.1	Function assignment of analog input terminal (Pr. 858, Pr. 868)	270
4.21.2	Analog input selection (Pr. 73, Pr. 267)	271
4.21.3	Analog input compensation (Pr. 73, Pr. 242, Pr. 243, Pr. 252, Pr. 253)	274
4.21.4	Response level of analog input and noise elimination (Pr. 74, Pr. 822, Pr. 826, Pr. 832, Pr. 836, Pr. 849).....	276
4.21.5	Bias and gain of frequency setting voltage (current) (Pr. 125, Pr. 126, Pr. 241, C2(Pr. 902) to C7(Pr. 905), C12(Pr. 917) to C15(Pr. 918))	277
4.21.6	Bias and gain of torque (magnetic flux) setting voltage (current) (Pr. 241, C16(Pr. 919) to C19(Pr. 920), C38 (Pr. 932) to C41 (Pr. 933))	282
4.21.7	4mA input check of current input (Pr. 573)	287
4.22	Misoperation prevention and parameter setting restriction	289
4.22.1	Reset selection/disconnected PU detection/PU stop selection (Pr. 75)	289
4.22.2	Parameter write selection (Pr. 77)	292
4.22.3	Reverse rotation prevention selection (Pr. 78)	293
4.22.4	Display of applied parameters and user group function (Pr. 160, Pr. 172 to Pr. 174)	293
4.23	Selection of operation mode and operation location	295

4.23.1	Operation mode selection (Pr. 79).....	295
4.23.2	Operation mode at power on (Pr. 79, Pr. 340)	303
4.23.3	Operation command source and speed command source during communication operation (Pr. 338, Pr. 339, Pr. 550, Pr. 551).....	304
4.24	Communication operation and setting	309
4.24.1	Wiring and configuration of PU connector	309
4.24.2	Wiring and arrangement of RS-485 terminals	311
4.24.3	Initial settings and specifications of RS-485 communication (Pr. 117 to Pr. 124, Pr. 331 to Pr. 337, Pr. 341, Pr. 549).....	314
4.24.4	Communication EEPROM write selection (Pr. 342)	315
4.24.5	Mitsubishi inverter protocol (computer link communication).....	316
4.24.6	Modbus-RTU communication specifications (Pr. 331, Pr. 332, Pr. 334, Pr. 343, Pr. 539, Pr. 549)	327
4.24.7	Operation by PLC function (Pr. 414 to Pr. 417, Pr. 498, Pr. 506 to Pr. 515).....	341
4.24.8	USB communication (Pr. 547, Pr. 548)	342
4.25	Special operation and frequency control	343
4.25.1	PID control (Pr. 127 to Pr. 134, Pr. 575 to Pr. 577).....	343
4.25.2	Commercial power supply-inverter switchover function (Pr. 57, Pr. 58, Pr. 135 to Pr. 139, Pr. 159)	351
4.25.3	Load torque high speed frequency control (Pr. 4, Pr. 5, Pr. 270 to Pr. 274)	356
4.25.4	Droop control (Pr. 286 to Pr. 288)	358
4.25.5	Frequency setting by pulse train input (Pr. 291, Pr. 384 to Pr. 386).....	360
4.25.6	Encoder feedback control (Pr. 144, Pr. 285, Pr. 359, Pr. 367 to Pr. 369)	362
4.25.7	Traverse function (Pr. 592 to Pr. 597)	364
4.25.8	Regeneration avoidance function (Pr. 665, Pr. 882 to Pr. 886).....	366
4.26	Useful functions	368
4.26.1	Cooling fan operation selection (Pr. 244)	368
4.26.2	Display of the life of the inverter parts (Pr. 255 to Pr. 259).....	369
4.26.3	Maintenance timer alarm (Pr. 503, Pr. 504)	371
4.26.4	Current average value monitor signal (Pr. 555 to Pr. 557).....	372
4.26.5	Free parameter (Pr. 888, Pr. 889)	374
4.27	Setting of the parameter unit and operation panel	375
4.27.1	PU display language selection (Pr. 145)	375
4.27.2	Operation panel frequency setting/key lock operation selection (Pr. 161)	375
4.27.3	Buzzer control (Pr. 990).....	377
4.27.4	PU contrast adjustment (Pr. 991)	377
4.28	Parameter clear	378
4.29	All parameter clear.....	379

4.30	Parameter copy and parameter verification	380
4.30.1	Parameter copy	380
4.30.2	Parameter verification.....	382
4.31	Check and clear of the alarm history	383
5	PROTECTIVE FUNCTIONS	385
<hr/>		
5.1	Reset method of protective function	386
5.2	List of alarm display	387
5.3	Causes and corrective actions	388
5.4	Correspondences between digital and actual characters	400
5.5	Check first when you have troubles	401
5.5.1	Motor does not rotate as commanded.....	401
5.5.2	Motor generates abnormal noise.....	401
5.5.3	Motor generates heat abnormally.....	402
5.5.4	Motor rotates in opposite direction	402
5.5.5	Speed greatly differs from the setting.....	402
5.5.6	Acceleration/deceleration is not smooth.....	402
5.5.7	Motor current is large.....	402
5.5.8	Speed does not increase.....	402
5.5.9	Speed varies during operation.....	403
5.5.10	Operation mode is not changed properly	403
5.5.11	Operation panel (FR-DU07) display is not operating.....	403
5.5.12	POWER lamp is not lit.....	403
5.5.13	Parameter write cannot be performed.....	403
6	PRECAUTIONS FOR MAINTENANCE AND INSPECTION	405
<hr/>		
6.1	Inspection item.....	406
6.1.1	Daily inspection	406
6.1.2	Periodic inspection	406
6.1.3	Daily and periodic inspection.....	407
6.1.4	Display of the life of the inverter parts	408
6.1.5	Checking the inverter and converter modules.....	408
6.1.6	Cleaning	409
6.1.7	Replacement of parts	409
6.1.8	Inverter replacement.....	413
6.2	Measurement of main circuit voltages, currents and powers	414
6.2.1	Measurement of powers	416

6.2.2	Measurement of voltages and use of PT	416
6.2.3	Measurement of currents	417
6.2.4	Use of CT and transducer	417
6.2.5	Measurement of inverter input power factor	417
6.2.6	Measurement of converter output voltage (across terminals P/+ - N/-)	418
6.2.7	Insulation resistance test using megger	418
6.2.8	Pressure test	418

7 SPECIFICATIONS 419

7.1	Rating	420
7.1.1	Inverter rating	420
7.2	Common specifications	421
7.3	Outline dimension drawings	422
7.3.1	Inverter outline dimension drawings	422
7.4	Heatsink protrusion attachment procedure	431
7.4.1	When using a heatsink protrusion attachment (FR-A7CN)	431
7.4.2	Protrusion of heatsink of the FR-A740-04320 or more	431

APPENDICES 435

Appendix 1	For customers who have replaced the older model with this inverter	436
Appendix 1-1	Replacement of the FR-A500 series	436
Appendix 1-2	Replacement of the FR-A200 <EXCELENT> series	437
Appendix 2	Control mode-based parameter (function) correspondence table and instruction code list	438

1 OUTLINE

This chapter describes the basic "OUTLINE" for use of this product.

Always read the instructions before using the equipment

1.1	Product checking and parts identification.....	2
1.2	Inverter and peripheral devices.....	3
1.3	Method of removal and reinstallation of the front cover	5
1.4	Installation of the inverter and enclosure design	7

<Abbreviations>

DU	Operation panel (FR-DU07)
PU.....	Operation panel (FR-DU07) and parameter unit (FR-PU04/FR-PU07)
Inverter	Mitsubishi inverter FR-A700 series
FR-A700	Mitsubishi inverter FR-A700 series
Pr.	Parameter Number
PU operation.....	Operation using the PU (FR-DU07/FR-PU04/FR-PU07).
External operation	Operation using the control circuit signals
Combined operation	Combined operation using the PU (FR-DU07/FR-PU04/FR-PU07) and external operation.
Mitsubishi standard motor	SF-JR
Mitsubishi constant-torque motor	SF-HRCA
Vector dedicated motor.....	SF-V5RU

<Trademarks>

- LONWORKS® is a registered trademark of Echelon Corporation in the U.S.A and other countries.
- DeviceNet™ is a registered trademark of ODVA (Open DeviceNet Vendor Association, Inc.).
- Other company and product names herein are the trademarks and registered trademarks of their respective owners.



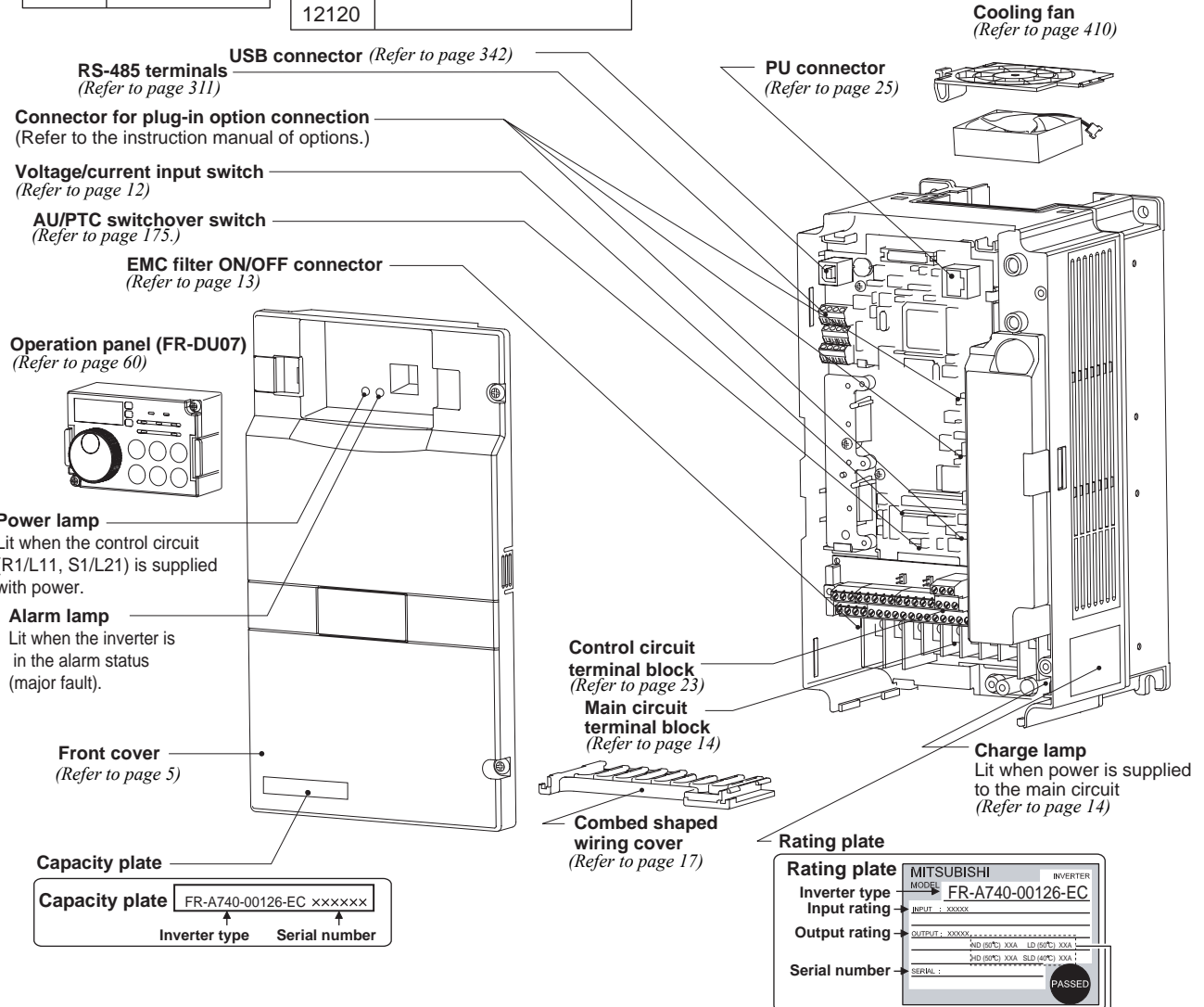
1.1 Product checking and parts identification

Unpack the inverter and check the capacity plate on the front cover and the rating plate on the inverter side face to ensure that the product agrees with your order and the inverter is intact.

• Inverter Type

FR - **A740** - **00126** - EC

Symbol	Voltage Class	Symbol	Type number
A740	Three-phase 400V class	00023 to 12120	Displays the rated current



Capacity plate

Capacity plate	FR-A740-00126-EC	xxxxxx
	Inverter type	Serial number

Rating plate

Rating plate	MITSUBISHI	INVERTER
Inverter type	MODEL	FR-A740-00126-EC
Input rating	INPUT	xxxxxx
Output rating	OUTPUT	xxxxxx
Serial number	SERIAL	xxxxxx
		PASSED

	Overload Current Rating	Ambient Temperature
SLD	110% 60s, 120% 3s	40°C (104°F)
LD	120% 60s, 150% 3s	50°C (122°F)
ND	150% 60s, 200% 3s	50°C (122°F)
HD	200% 60s, 250% 3s	50°C (122°F)

• Accessory

- Fan cover fixing screws (00620 or less)
(Refer to *Installation Guideline*)
These screws are necessary for compliance with the European Directive

	Capacity	Screw Size (mm)	Number
4	00083, 00126	M3 × 35	1
0	00170 to 00380	M4 × 40	2
0	00470, 00620	M4 × 50	1

- DC reactor supplied (01800 or more)
- Eyebolt for hanging the inverter (00770 to 06830)
M8 × two pieces



- Jumper (01800 only) (Refer to page 14)



REMARKS

For removal and reinstallation of covers, refer to page 5.



1.2 Inverter and peripheral devices



Three-phase AC power supply
Use within the permissible power supply specifications of the inverter.
(Refer to page 420)



Moulded case circuit breaker (MCCB) or earth leakage current breaker (ELB), fuse
The breaker must be selected carefully since an in-rush current flows in the inverter at power on.
(Refer to page 4)



Magnetic contactor (MC)
Install the magnetic contactor to ensure safety. Do not use this magnetic contactor to start and stop the inverter. Doing so will cause the inverter life to be shorten.
(Refer to page 4)

Reactor (FR-HAL, FR-HEL option)
Reactors (option) must be used when power harmonics measures are taken, the power factor is to be improved or the inverter is installed near a large power supply system (1000kVA or more). The inverter may be damaged if you do not use reactors. Select the reactor according to the model. Remove the jumpers across terminals P/+ - P1 to connect the DC reactor to the 01160 or less.
(Refer to page 4.)



AC reactor (FR-HAL)



DC reactor (FR-HEL)
For the 01800 or more, a DC reactor is supplied. Always install the reactor.
(Refer to page 14.)



Noise filter (FR-BLF)
The 01800 or less has a built-in common mode core.

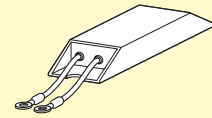
USB connector

A personal computer and an inverter can be connected with a USB (Ver1. 1) cable.



Inverter (FR-A700)

The life of the inverter is influenced by ambient temperature. The ambient temperature should be as low as possible within the permissible range. This must be noted especially when the inverter is installed in an enclosure. (Refer to page 7) Wrong wiring might lead to damage of the inverter. The control signal lines must be kept fully away from the main circuit to protect them from noise. (Refer to page 12) Refer to page 13 for the built-in EMC filter.



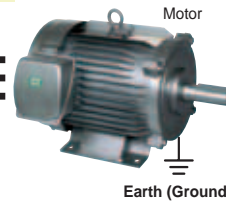
High-duty brake resistor (FR-ABR^{*3})
Braking capability of the inverter built-in brake can be improved. Remove the jumper across terminal PR-PX when connecting the high-duty brake resistor. (00250 or less)

^{*3} Compatible with the 00620 or less.



Noise filter (FR-BSF01, FR-BLF)

Install a noise filter to reduce the electromagnetic noise generated from the inverter. Effective in the range from about 1MHz to 10MHz. A wire should be wound four turns at a maximum.



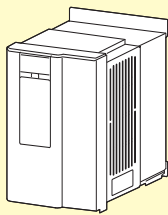
Earth (Ground)

Devices connected to the output

Do not install a power factor correction capacitor, surge suppressor or radio noise filter on the output side of the inverter. When installing a moulded case circuit breaker on the output side of the inverter, contact each manufacturer for selection of the moulded case circuit breaker.

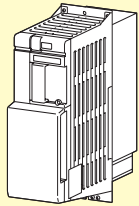
Earth (Ground)

To prevent an electric shock, always earth (ground) the motor and inverter. For reduction of induction noise from the power line of the inverter, it is recommended to wire the earth (ground) cable by returning it to the earth (ground) terminal of the inverter.

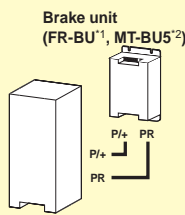


High power factor converter (FR-HC^{*1}, MT-HC^{*2})
Power supply harmonics can be greatly suppressed. Install this as required.

^{*1} Compatible with the 01800 or less.
^{*2} Compatible with the 02160 or more.



Power regeneration common converter (FR-CV^{*1})
Power regeneration converter (MT-RC^{*2})
Great braking capability is obtained. Install this as required.



Resistor unit (FR-BR^{*1}, MT-BR5^{*2})
The regenerative braking capability of the inverter can be exhibited fully. Install this as required.

Brake unit (FR-BU^{*1}, MT-BU5^{*2})



CAUTION

- Do not install a power factor correction capacitor, surge suppressor or radio noise filter on the inverter output side. This will cause the inverter to trip or the capacitor, and surge suppressor to be damaged. If any of the above devices are connected, immediately remove them.
- Electromagnetic wave interference
The input/output (main circuit) of the inverter includes high frequency components, which may interfere with the communication devices (such as AM radios) used near the inverter. An EMC filter can minimize noise interference.
(Refer to page 13.)
- Refer to the instruction manual of each option and peripheral devices for details of peripheral devices.



1.2.1 Peripheral devices

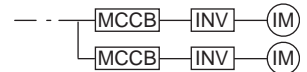
Check the motor capacity of the inverter you purchased. Appropriate peripheral devices must be selected according to the capacity. Refer to the following list and prepare appropriate peripheral devices:

400V class

Motor Output (kW) ^{*1}	Applicable Inverter Type	Breaker Selection ^{*2,4}		Input Side Magnetic Contactor ^{*3}	
		Reactor connection		Reactor connection	
		without	with	without	with
0.4	FR-A740-00023-EC	30AF 5A	30AF 5A	S-N10	S-N10
0.75	FR-A740-00038-EC	30AF 5A	30AF 5A	S-N10	S-N10
1.5	FR-A740-00052-EC	30AF 10A	30AF 10A	S-N10	S-N10
2.2	FR-A740-00083-EC	30AF 10A	30AF 10A	S-N10	S-N10
3.7	FR-A740-00126-EC	30AF 20A	30AF 15A	S-N10	S-N10
5.5	FR-A740-00170-EC	30AF 30A	30AF 20A	S-N20	S-N11, N12
7.5	FR-A740-00250-EC	30AF 30A	30AF 30A	S-N20	S-N20
11	FR-A740-00310-EC	50AF 50A	50AF 40A	S-N20	S-N20
15	FR-A740-00380-EC	100AF 60A	50AF 50A	S-N25	S-N20
18.5	FR-A740-00470-EC	100AF 75A	100AF 60A	S-N25	S-N25
22	FR-A740-00620-EC	100AF 100A	100AF 75A	S-N35	S-N25
30	FR-A740-00770-EC	225AF 125A	100AF 100A	S-N50	S-N50
37	FR-A740-00930-EC	225AF 150A	225AF 125A	S-N65	S-N50
45	FR-A740-01160-EC	225AF 175A	225AF 150A	S-N80	S-N65
55	FR-A740-01800-EC	225AF 200A	225AF 175A	S-N80	S-N80
75	FR-A740-02160-EC	—	225AF 225A	—	S-N95
90	FR-A740-02600-EC	—	225AF 225A	—	S-N150
110	FR-A740-03250-EC	—	225AF 225A	—	S-N180
132	FR-A740-03610-EC	—	400AF 400A	—	S-N220
160	FR-A740-04320-EC	—	400AF 400A	—	S-N300
185	FR-A740-04810-EC	—	400AF 400A	—	S-N300
220	FR-A740-05470-EC	—	600AF 500A	—	S-N400
250	FR-A740-06100-EC	—	600AF 600A	—	S-N600
280	FR-A740-06830-EC	—	600AF 600A	—	S-N600
315	FR-A740-07700-EC	—	800AF 700A	—	S-N600
355	FR-A740-08660-EC	—	800AF 800A	—	S-N600
400	FR-A740-09620-EC	—	1000AF 900A	—	S-N800
450	FR-A740-10940-EC	—	1000AF 1000A	—	1000A Rated product
500	FR-A740-12120-EC	—	1200AF 1200A	—	1000A Rated product

*1 Selections for use of the Mitsubishi 4-pole standard motor with power supply voltage of 400VAC 50Hz.

*2 Select the MCCB according to the inverter power supply capacity.
 Install one MCCB per inverter.
 For installations in the United States or Canada, use the fuse certified by the UL and cUL.
 (Refer to Installation Guideline.)



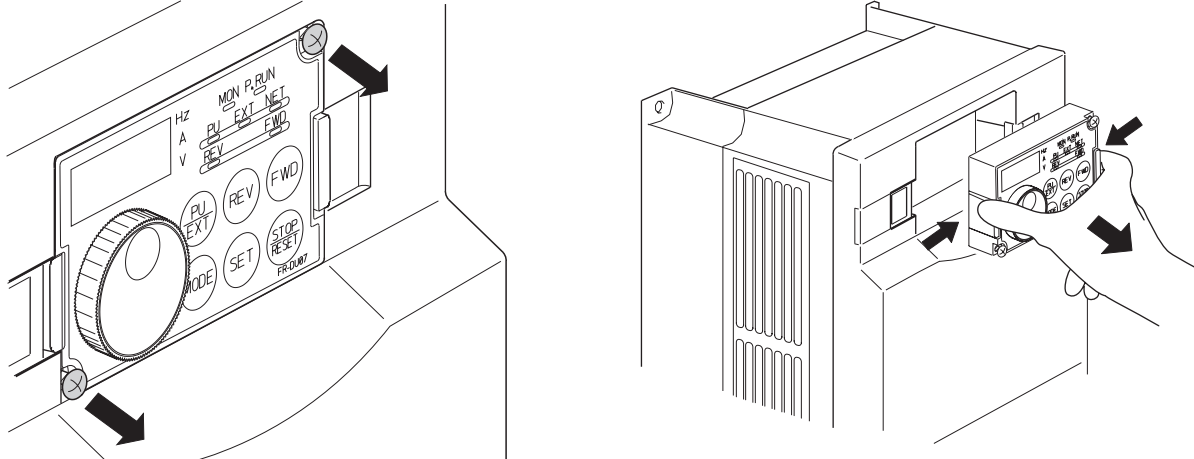
*3 Magnetic contactor is selected based on the AC-1 class. The electrical durability of magnetic contactor is 500,000 times. When the magnetic contactor is used for emergency stop during motor driving, the electrical durability is 25 times.
 When using the MC for emergency stop during motor driving or using on the motor side during commercial-power supply operation, select the MC with class AC-3 rated current for the motor rated current.

*4 When the breaker on the inverter primary side trips, check for the wiring fault (short circuit), damage to internal parts of the inverter, etc. Identify the cause of the trip, then remove the cause and power on the breaker.

1.3 Method of removal and reinstallation of the front cover

•Removal of the operation panel

- 1) Loosen the two screws on the operation panel.
(These screws cannot be removed.)
- 2) Push the left and right hooks of the operation panel and pull the operation panel toward you to remove.

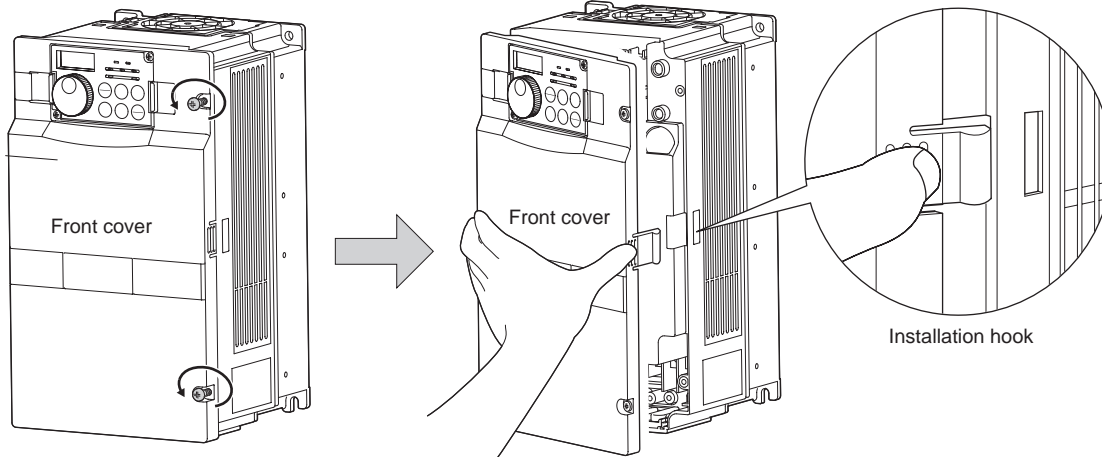


When reinstalling the operation panel, insert it straight to reinstall securely and tighten the fixed screws of the operation panel.

FR-A740-00620 or less

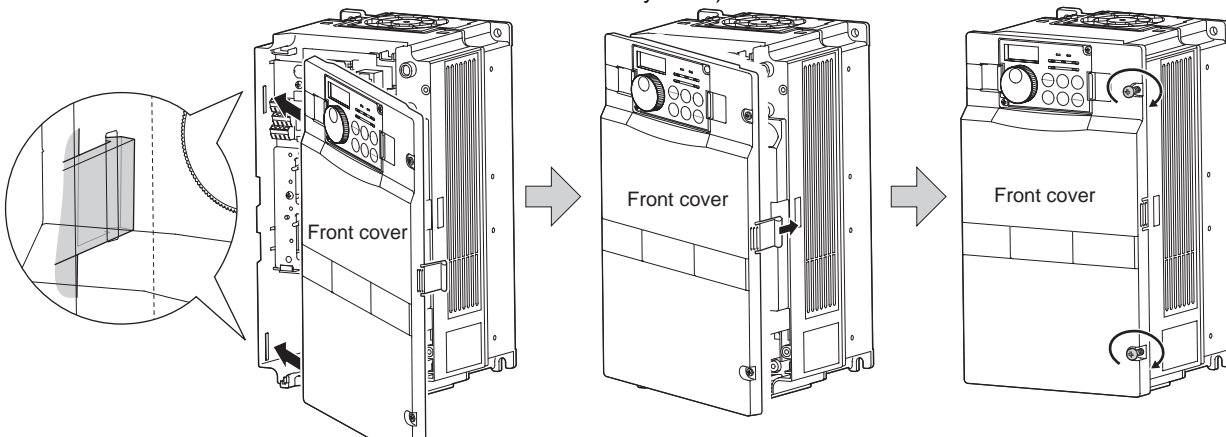
•Removal

- 1) Loosen the installation screws of the front cover.
- 2) Pull the front cover toward you to remove by pushing an installation hook using left fixed hooks as supports.



•Reinstallation

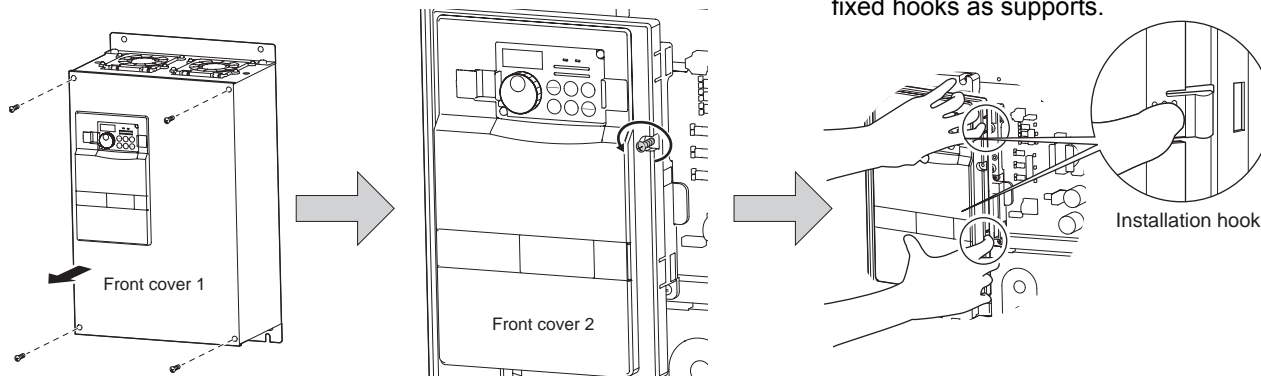
- 1) Insert the two fixed hooks on the left side of the front cover into the sockets of the inverter.
- 2) Using the fixed hooks as supports, securely press the front cover against the inverter.
(Although installation can be done with the operation panel mounted, make sure that a connector is securely fixed.)
- 3) Tighten the installation screws and fix the front cover.



FR-A740-00770-EC or more

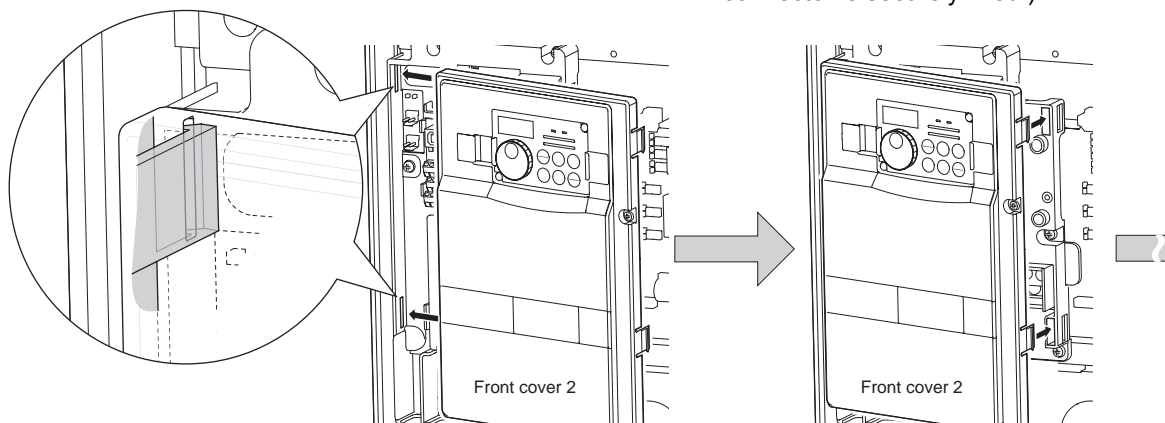
•Removal

- 1) Remove installation screws on the front cover 1 to remove the front cover 1.
- 2) Loosen the installation screws of the front cover 2.
- 3) Pull the front cover 2 toward you to remove by pushing an installation hook on the right side using left fixed hooks as supports.

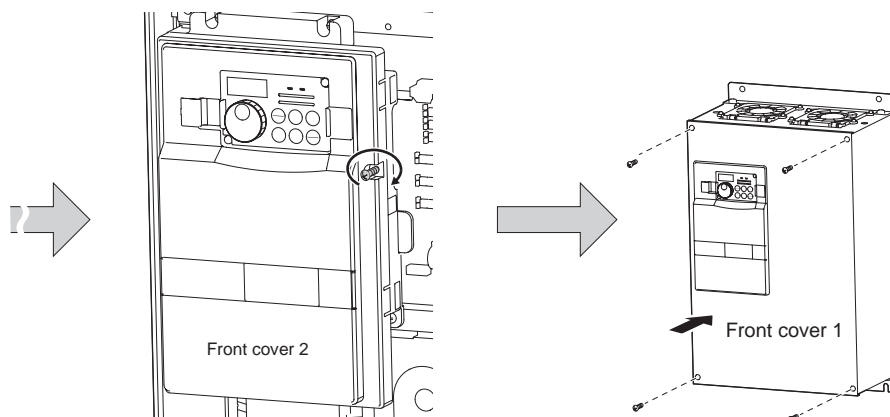


•Reinstallation

- 1) Insert the two fixed hooks on the left side of the front cover 2 into the sockets of the inverter.
- 2) Using the fixed hooks as supports, securely press the front cover 2 against the inverter. (Although installation can be done with the operation panel mounted, make sure that a connector is securely fixed.)



- 3) Fix the front cover 2 with the installation screws.
- 4) Fix the front cover 1 with the installation screws.



REMARKS

- For the FR-A740-04320-EC or more, the front cover 1 is separated into two parts.

CAUTION

1. Fully make sure that the front cover has been reinstalled securely. Always tighten the installation screws of the front cover.
2. The same serial number is printed on the capacity plate of the front cover and the rating plate of the inverter. Before reinstalling the front cover, check the serial numbers to ensure that the cover removed is reinstalled to the inverter from where it was removed.

1.4 Installation of the inverter and enclosure design

When an inverter enclosure is to be designed and manufactured, heat generated by contained equipment, etc., the environment of an operating place, and others must be fully considered to determine the enclosure structure, size and equipment layout. The inverter unit uses many semiconductor devices. To ensure higher reliability and long period of operation, operate the inverter in the ambient environment that completely satisfies the equipment specifications.

1.4.1 Inverter installation environment

As the inverter installation environment should satisfy the standard specifications indicated in the following table, operation in any place that does not meet these conditions not only deteriorates the performance and life of the inverter, but also causes a failure. Refer to the following points and take adequate measures.

Environmental standard specifications of inverter

Item	Description	
Ambient temperature	LD, ND(Initial setting), HD	-10 to +50°C (non-freezing)
	SLD	-10 to +40°C (non-freezing)
Ambient humidity	90% RH maximum (non-condensing)	
Atmosphere	Free from corrosive and explosive gases, dust and dirt	
Maximum Altitude	1,000m or less	
Vibration	5.9m/s ² or less *1 (JIS C 60068-2-6 compliant)	

*1 2.9m/s² or less for the FR-A740-04320 or more.

(1) Temperature

The permissible ambient temperature of the inverter is -10°C to +50°C or -10°C to +40°C (when SLD is set). Always operate the inverter within this temperature range. Operation outside this range will considerably shorten the service lives of the semiconductors, parts, capacitors and others. Take the following measures so that the ambient temperature of the inverter falls within the specified range.

1) Measures against high temperature

- Use a forced ventilation system or similar cooling system. (Refer to page 9.)
- Install the enclosure in an air-conditioned electrical chamber.
- Block direct sunlight.
- Provide a shield or similar plate to avoid direct exposure to the radiated heat and wind of a heat source.
- Ventilate the area around the enclosure well.

2) Measures against low temperature

- Provide a space heater in the enclosure.
- Do not power off the inverter. (Keep the start signal of the inverter off.)

3) Sudden temperature changes

- Select an installation place where temperature does not change suddenly.
- Avoid installing the inverter near the air outlet of an air conditioner.
- If temperature changes are caused by opening/closing of a door, install the inverter away from the door.

(2) Humidity

Normally operate the inverter within the 45 to 90% range of the ambient humidity. Too high humidity will pose problems of reduced insulation and metal corrosion. On the other hand, too low humidity may produce a spatial electrical breakdown. The insulation distance specified in JEM1103 "Control Equipment Insulator" is defined as humidity 45 to 85%.

1) Measures against high humidity

- Make the enclosure enclosed, and provide it with a hygroscopic agent.
- Take dry air into the enclosure from outside.
- Provide a space heater in the enclosure.

2) Measures against low humidity

What is important in fitting or inspection of the unit in this status is to discharge your body (static electricity) beforehand and keep your body from contact with the parts and patterns, besides blowing air of proper humidity into the enclosure from outside.

3) Measures against condensation

Condensation may occur if frequent operation stops change the in-enclosure temperature suddenly or if the outside-air temperature changes suddenly.

Condensation causes such faults as reduced insulation and corrosion.

- Take the measures against high humidity in 1).
- Do not power off the inverter. (Keep the start signal of the inverter off.)



(3) Dust, dirt, oil mist

Dust and dirt will cause such faults as poor contact of contact points, reduced insulation or reduced cooling effect due to moisture absorption of accumulated dust and dirt, and in-enclosure temperature rise due to clogged filter.

In the atmosphere where conductive powder floats, dust and dirt will cause such faults as malfunction, deteriorated insulation and short circuit in a short time.

Since oil mist will cause similar conditions, it is necessary to take adequate measures.

Countermeasures

- Place in a totally enclosed enclosure.
Take measures if the in-enclosure temperature rises. (*Refer to page 9.*)
- Purge air.
Pump clean air from outside to make the in-enclosure pressure higher than the outside-air pressure.

(4) Corrosive gas, salt damage

If the inverter is exposed to corrosive gas or to salt near a beach, the printed board patterns and parts will corrode or the relays and switches will result in poor contact.

In such places, take the measures given in Section (3).

(5) Explosive, flammable gases

As the inverter is non-explosion proof, it must be contained in an explosion proof enclosure.

In places where explosion may be caused by explosive gas, dust or dirt, an enclosure cannot be used unless it structurally complies with the guidelines and has passed the specified tests. This makes the enclosure itself expensive (including the test charges).

The best way is to avoid installation in such places and install the inverter in a non-hazardous place.

(6) Highland

Use the inverter at the altitude of within 1000m.

If it is used at a higher place, it is likely that thin air will reduce the cooling effect and low air pressure will deteriorate dielectric strength.

(7) Vibration, impact

The vibration resistance of the inverter is up to 5.9m/s^2 (2.9m/s^2 for the FR-A740-04320 or more) at 10 to 55Hz frequency and 1mm amplitude as specified in JIS C 60068-2-6.

Vibration or impact, if less than the specified value, applied for a long time may make the mechanism loose or cause poor contact to the connectors.

Especially when impact is imposed repeatedly, caution must be taken as the part pins are likely to break.

Countermeasures

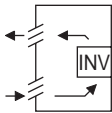

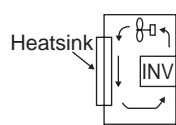
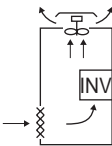
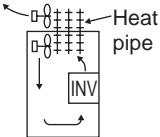
- Provide the enclosure with rubber vibration isolators.
- Strengthen the structure to prevent the enclosure from resonance.
- Install the enclosure away from sources of vibration.

1.4.2 Cooling system types for inverter enclosure

From the enclosure that contains the inverter, the heat of the inverter and other equipment (transformers, lamps, resistors, etc.) and the incoming heat such as direct sunlight must be dissipated to keep the in-enclosure temperature lower than the permissible temperatures of the in-enclosure equipment including the inverter.

The cooling systems are classified as follows in terms of the cooling calculation method.

- 1) Cooling by natural heat dissipation from the enclosure surface (Totally enclosed type)
- 2) Cooling by heat sink (Aluminum fin, etc.)
- 3) Cooling by ventilation (Forced ventilation type, pipe ventilation type)
- 4) Cooling by heat exchanger or cooler (Heat pipe, cooler, etc.)

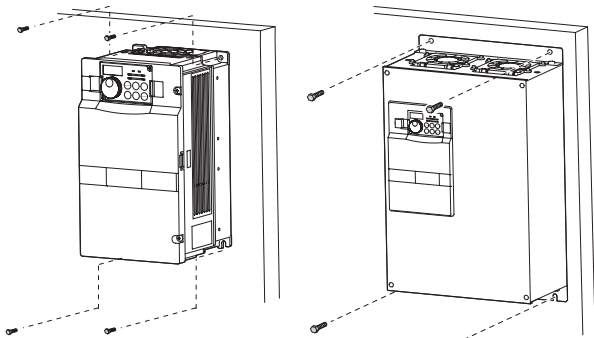
Cooling System	Enclosure Structure	Comment
Natural cooling	Natural ventilation (Enclosed, open type) 	Low in cost and generally used, but the enclosure size increases as the inverter capacity increases. For relatively small capacities.
	Natural ventilation (Totally enclosed type) 	Being a totally enclosed type, the most appropriate for hostile environment having dust, dirt, oil mist, etc. The enclosure size increases depending on the inverter capacity.
Forced cooling	Heatsink cooling 	Having restrictions on the heatsink mounting position and area, and designed for relative small capacities.
	Forced ventilation 	For general indoor installation. Appropriate for enclosure downsizing and cost reduction, and often used.
	Heat pipe 	Totally enclosed type for enclosure downsizing.

1.4.3 Inverter placement

(1) Installation of the Inverter

Installation on the enclosure
00023 to 00620

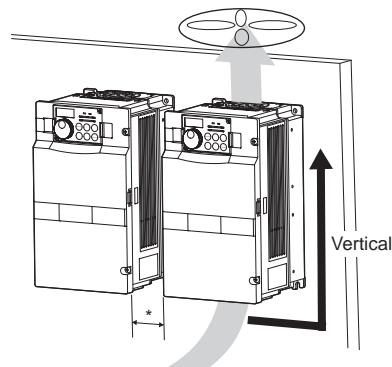
00770 or more



Fix six positions for the FR-A740-04320 to 08660 and fix eight positions for the FR-A740-09620 to 12120.

CAUTION

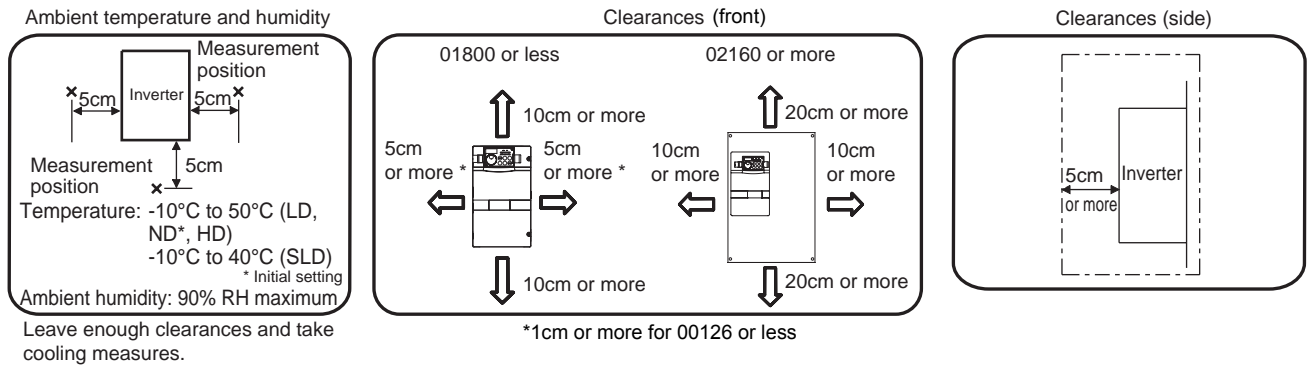
When encasing multiple inverters, install them in parallel as a cooling measure. Install the inverter vertically.



* Refer to the clearances on the next page.

(2) Clearances around the inverter

To ensure ease of heat dissipation and maintenance, leave at least the shown clearances around the inverter. At least the following clearances are required under the inverter as a wiring space, and above the inverter as a heat dissipation space.



REMARKS
 For replacing the cooling fan of the 04320 or more, 30cm of space is necessary in front of the inverter. Refer to page 410 for fan replacement.

(3) Inverter mounting orientation

Mount the inverter on a wall as specified. Do not mount it horizontally or any other way.

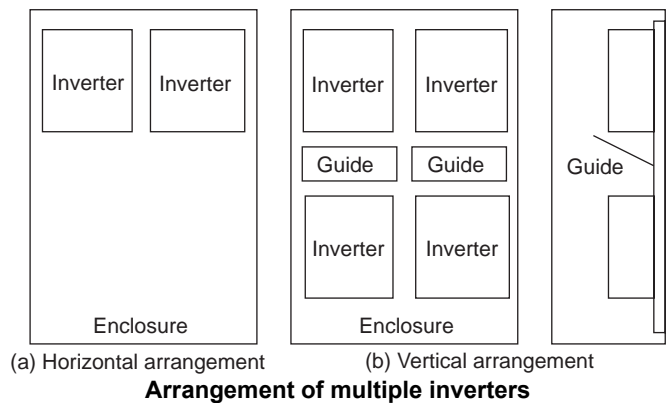
(4) Above the inverter

Heat is blown up from inside the inverter by the small fan built in the unit. Any equipment placed above the inverter should be heat resistant.

(5) Arrangement of multiple inverters

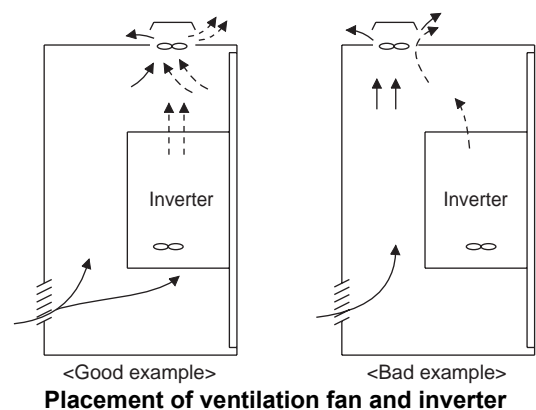
When multiple inverters are placed in the same enclosure, generally arrange them horizontally as shown in the right figure (a). When it is inevitable to arrange them vertically to minimize space, take such measures as to provide guides since heat from the bottom inverters can increase the temperatures in the top inverters, causing inverter failures.

When mounting multiple inverters, fully take caution not to make the ambient temperature of the inverter higher than the permissible value by providing ventilation and increasing the enclosure size.



(6) Placement of ventilation fan and inverter

Heat generated in the inverter is blown up from the bottom of the unit as warm air by the cooling fan. When installing a ventilation fan for that heat, determine the place of ventilation fan installation after fully considering an air flow. (Air passes through areas of low resistance. Make an airway and airflow plates to expose the inverter to cool air.)



2 WIRING

This chapter describes the basic "WIRING" for use of this product.

Always read the instructions before using the equipment

2.1	Wiring	12
2.2	Main circuit terminal specifications.....	14
2.3	Control circuit specifications.....	23
2.4	Connection of motor with encoder (vector control) .	31
2.5	Connection of stand-alone option units	37

1

2

3

4

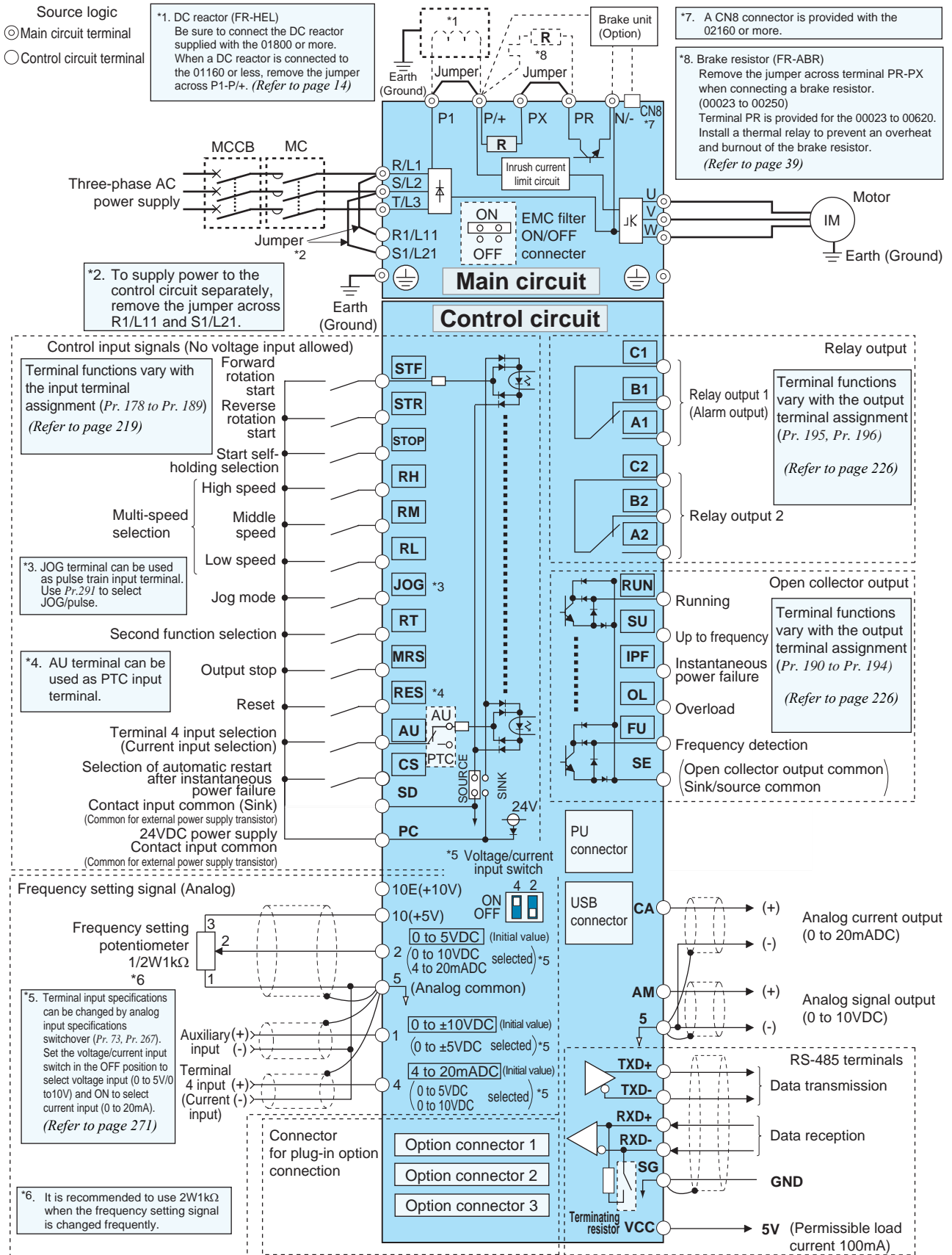
5

6

7

2.1 Wiring

2.1.1 Terminal connection diagram



CAUTION

- To prevent a malfunction due to noise, keep the signal cables more than 10cm away from the power cables.
- After wiring, wire offcuts must not be left in the inverter. Wire offcuts can cause an alarm, failure or malfunction. Always keep the inverter clean.
- When drilling mounting holes in an enclosure etc., take care not to allow chips and other foreign matter to enter the inverter.
- Set the voltage/current input switch in right position. Different setting may cause a fault, failure or malfunction.

2.1.2 EMC filter

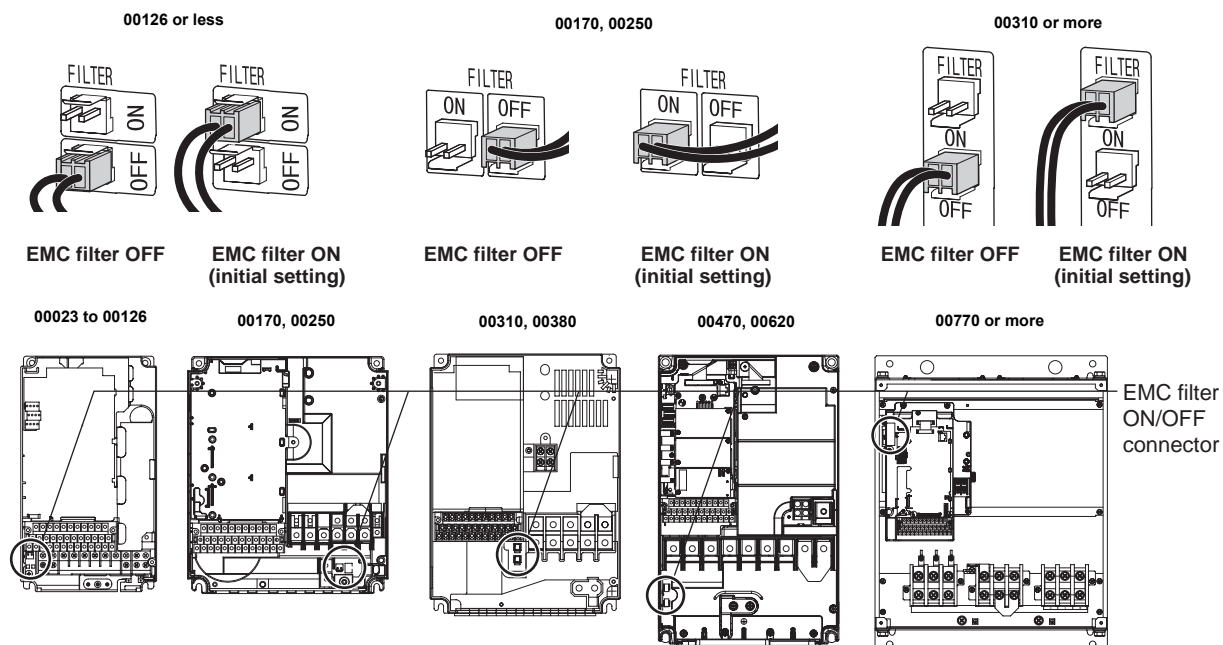
This inverter is equipped with a built-in EMC filter (capacitive filter) and zero-phase reactor.

Effective for reduction of air-propagated noise on the input side of the inverter.

The EMC filter is factory-set to enable (ON).

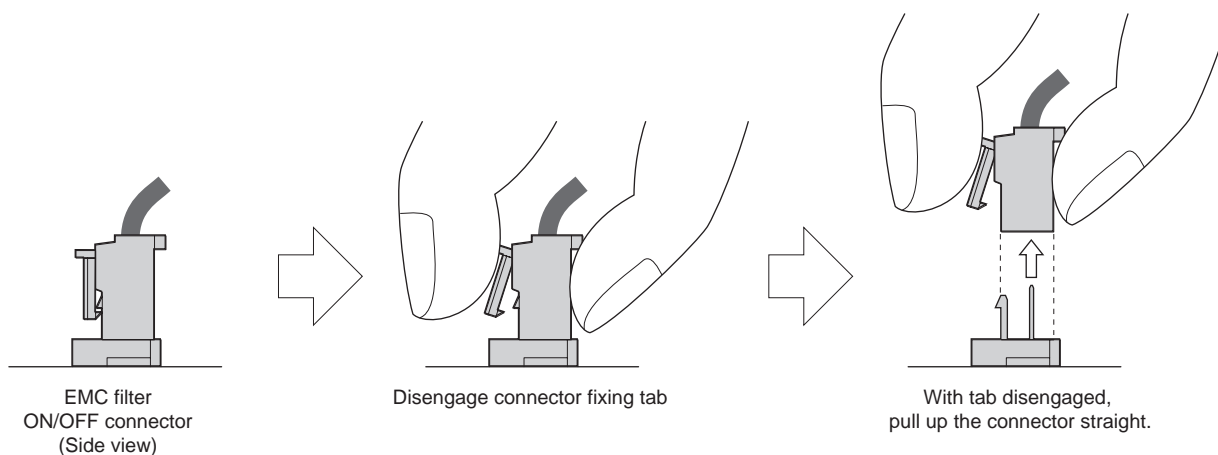
To disable it, fit the EMC filter ON/OFF connector to the OFF position.

The input side zero-phase reactor, built-in the 01800 or less inverter, is always valid regardless of on/off of the EMC filter on/off connector.



<How to disconnect the connector>

- (1) Before removing a front cover, check to make sure that the indication of the inverter operation panel is off, wait for at least 10 minutes after the power supply has been switched off, and check that there are no residual voltage using a tester or the like. (Refer to page 5.)
- (2) When disconnecting the connector, push the fixing tab and pull the connector straight without pulling the cable or forcibly pulling the connector with the tab fixed. When installing the connector, also engage the fixing tab securely. (If it is difficult to disconnect the connector, use a pair of long-nose pliers, etc.)



CAUTION

- Fit the connector to either ON or OFF.




WARNING

While power is on or when the inverter is running, do not open the front cover. Otherwise you may get an electric shock.



2.2 Main circuit terminal specifications

2.2.1 Specification of main circuit terminal

Terminal Symbol	Terminal Name	Description
R/L1, S/L2, T/L3	AC power input	Connect to the commercial power supply. Keep these terminals open when using the high power factor converter (FR-HC and MT-HC) or power regeneration common converter (FR-CV).
U, V, W	Inverter output	Connect a three-phase squirrel-cage motor.
R1/L11, S1/L21	Power supply for control circuit	Connected to the AC power supply terminals R/L1 and S/L2. To retain the alarm display and alarm output or when using the high power factor converter (FR-HC and MT-HC) or power regeneration common converter (FR-CV), remove the jumpers from terminals R/L1-R1/L11 and S/L2-S1/L21 and apply external power to these terminals. Do not turn off the power supply for control circuit (R1/L11, S1/L21) with the main circuit power (R/L1, S/L2, T/L3) on. Doing so may damage the inverter. The circuit should be configured so that the main circuit power (R/L1, S/L2, T/L3) is also turned off when the power supply for control circuit (R1/L11, S1/L21) is off. 00380 or less : 60VA, 00470 or more : 80VA
P/+, PR	Brake resistor connection (00620 or less)	Remove the jumper from terminals PR-PX (00250 or less) and connect an optional brake resistor (FR-ABR) across terminals P/+ - PR. For the 00620 or less, connecting the resistor further provides regenerative braking power.
P/+, N/-	Brake unit connection	Connect the brake unit (FR-BU, BU and MT-BU5), power regeneration common converter (FR-CV), high power factor converter (FR-HC and MT-HC) or power regeneration converter (MT-RC).
P/+, P1	DC reactor connection	For the 01160 or less, remove the jumper across terminals P/+ - P1 and connect the DC reactor. (As a DC reactor is supplied with the 01800 or more as standard, be sure to connect the DC reactor.*)
PR, PX	Built-in brake circuit connection	When the jumper is connected across terminals PX-PR (initial status), the built-in brake circuit is valid. (Provided for the 00250 or less.)
	Earth (Ground)	For earthing (grounding) the inverter chassis. Must be earthed (grounded).

* Connecting a DC reactor to the 01800

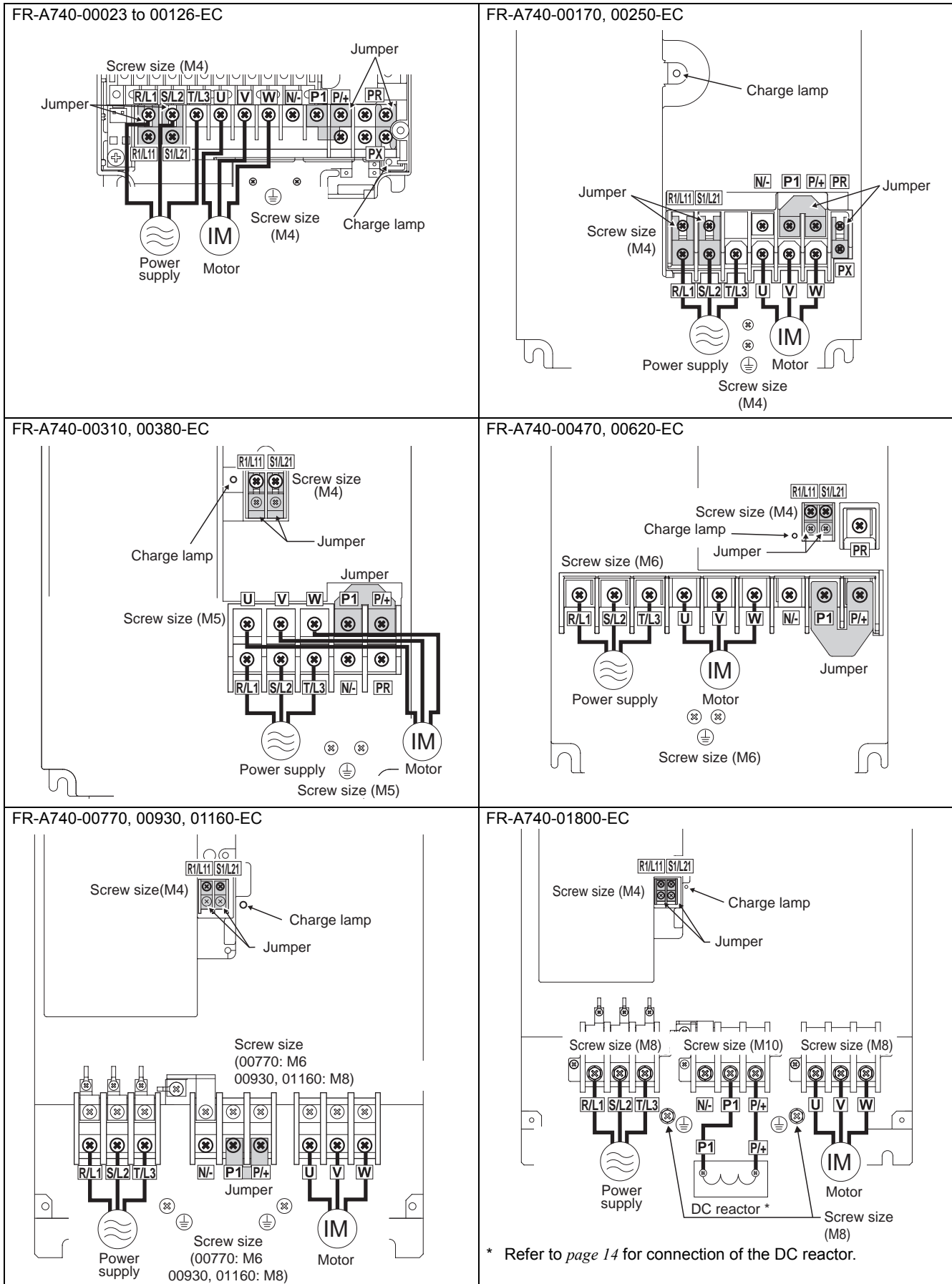
- When using the inverter for LD or SLD rating, always connect the supplied DC reactor.
- To improve power factor and suppress harmonics with a reactor when using the inverter for ND or HD rating, connect the supplied DC reactor.
- It is not necessary to connect the supplied DC reactor for operation other than the above. When not connecting the supplied DC reactor, connect a supplied jumper across terminals P/+ and P1.
- The inverter operates only when either a DC reactor or jumper is connected.

CAUTION

- When connecting a dedicated brake resistor (FR-ABR) and brake unit (FR-BU, BU) remove jumpers across terminals PR-PX (00250 or less). For details, refer to *page 37 to 40*.

2.2.2 Terminal arrangement of the main circuit terminal, power supply and the motor wiring.

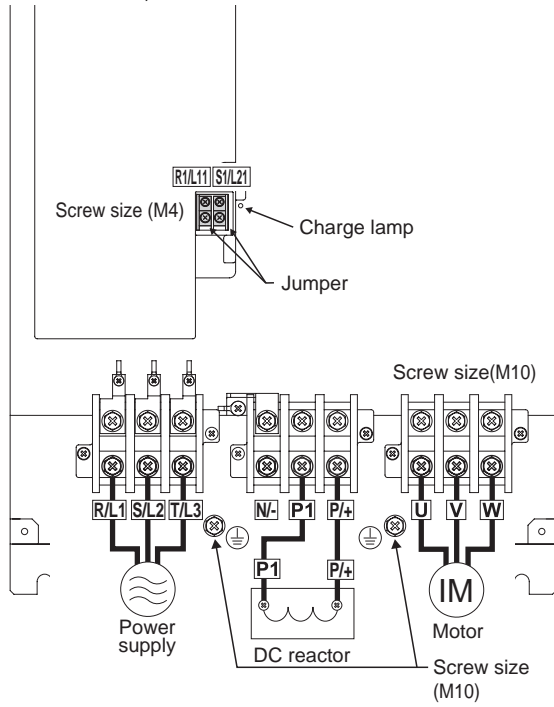
400V class



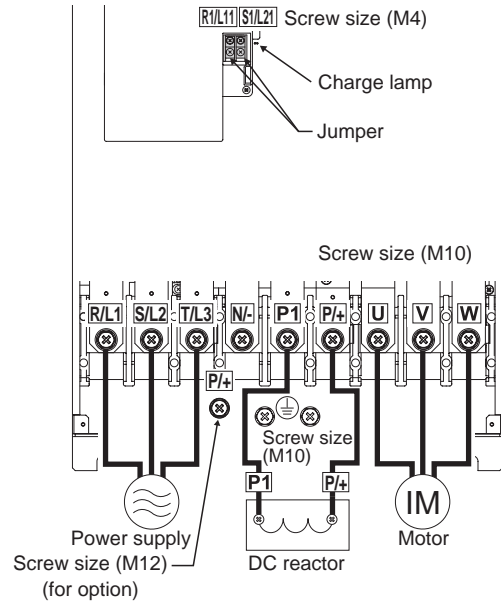
* Refer to page 14 for connection of the DC reactor.



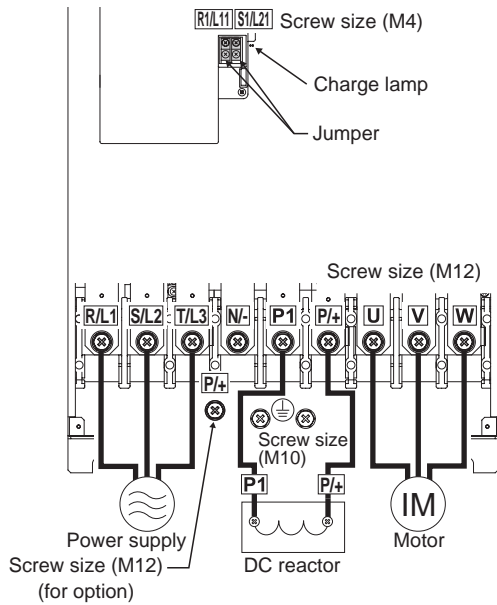
FR-A740-02160, 02600-EC



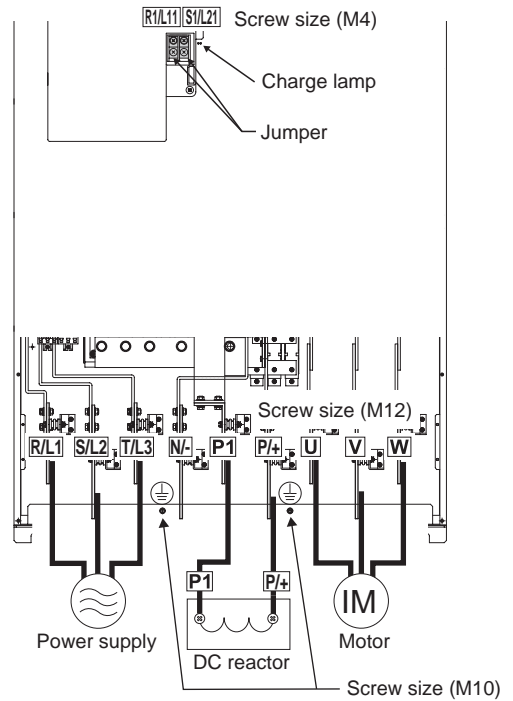
FR-A740-03250, 03610-EC



FR-A740-04320, 04810-EC

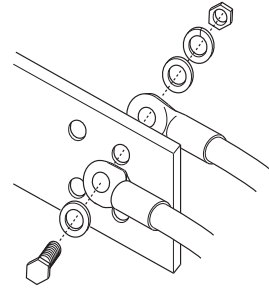


FR-A740-05470 to 12120-EC



CAUTION

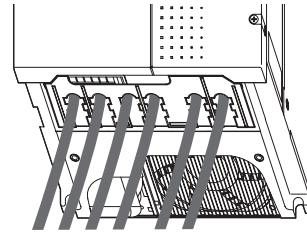
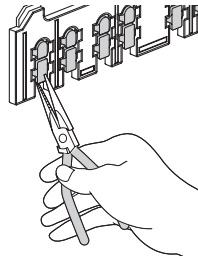
- The power supply cables must be connected to R/L1, S/L2, T/L3. Never connect the power cable to the U, V, W of the inverter. Doing so will damage the inverter. (Phase sequence needs not to be matched.)
- Connect the motor to U, V, W. At this time, turning on the forward rotation switch (signal) rotates the motor in the counterclockwise direction when viewed from the motor shaft.
- When wiring the inverter main circuit conductor of the 05470 or more, tighten a nut from the right side of the conductor. When wiring two wires, place wires on both sides of the conductor. (Refer to the drawing on the right.) For wiring, use bolts (nuts) provided with the inverter.



- Handling of the wiring cover (FR-A740-00470, 00620-EC)
For the hook of the wiring cover, cut off the necessary parts using a pair of long-nose pliers etc.

CAUTION

Cut off the same number of lugs as wires. If parts where no wire is put through has been cut off (10mm or more), protective structure (JEM1030) becomes an open type (IP00).





2.2.3 Cables and wiring length

(1) Applied cable size

Select the recommended cable size to ensure that a voltage drop will be 2% max.

If the wiring distance is long between the inverter and motor, a main circuit cable voltage drop will cause the motor torque to decrease especially at the output of a low frequency.

The following table indicates a selection example for the wiring length of 20m.

400V class (when input power supply is 440V)

Applicable Inverter Type	Terminal Screw Size *4	Tightening Torque N·m	Crimping Terminal		Cable Sizes								
					HIV, etc. (mm ²) *1				AWG/MCM *2		PVC, etc. (mm ²) *3		
			R/L1, S/L2, T/L3	U, V, W	R/L1, S/L2, T/L3	U, V, W	P/+ , P1	Earth (Ground) Cable	R/L1, S/L2, T/L3	U, V, W	R/L1, S/L2, T/L3	U, V, W	Earth (Ground) Cable
FR-A740-00023 to 00126-EC	M4	1.5	2-4	2-4	2	2	2	2	14	14	2.5	2.5	2.5
FR-A740-00170-EC	M4	1.5	2-4	2-4	2	2	3.5	3.5	12	14	2.5	2.5	4
FR-A740-00250-EC	M4	1.5	5.5-4	5.5-4	3.5	3.5	3.5	3.5	12	12	4	4	4
FR-A740-00310-EC	M5	2.5	5.5-5	5.5-5	5.5	5.5	5.5	8	10	10	6	6	10
FR-A740-00380-EC	M5	2.5	8-5	8-5	8	8	8	8	8	8	10	10	10
FR-A740-00470-EC	M6	4.4	14-6	8-6	14	8	14	14	6	8	16	10	16
FR-A740-00620-EC	M6	4.4	14-6	14-6	14	14	22	14	6	6	16	16	16
FR-A740-00770-EC	M6	4.4	22-6	22-6	22	22	22	14	4	4	25	25	16
FR-A740-00930-EC	M8	7.8	22-8	22-8	22	22	22	14	4	4	25	25	16
FR-A740-01160-EC	M8	7.8	38-8	38-8	38	38	38	22	1	2	50	50	25
FR-A740-01800-EC	M8	7.8	60-8	60-8	60	60	60	22	1/0	1/0	50	50	25
FR-A740-02160-EC	M10	14.7	60-10	60-10	60	60	60	38	1/0	1/0	50	50	25
FR-A740-02600-EC	M10	14.7	60-10	60-10	60	60	80	38	3/0	3/0	50	50	25
FR-A740-03250-EC	M10-M12	14.7	80-10	80-10	80	80	80	38	3/0	3/0	70	70	35
FR-A740-03610-EC	M10-M12	14.7	100-10	100-10	100	100	100	38	4/0	4/0	95	95	50
FR-A740-04320-EC	M12-M10	24.5	150-12	150-12	125	150	150	38	250	250	120	120	70
FR-A740-04810-EC	M12-M10	24.5	150-12	150-12	150	150	150	38	300	300	150	150	95
FR-A740-05470-EC	M12-M10	24.5	100-12	100-12	2×100	2×100	2×100	60	2×4/0	2×4/0	2×95	2×95	95
FR-A740-06100-EC	M12-M10	24.5	100-12	100-12	2×100	2×100	2×125	60	2×4/0	2×4/0	2×95	2×95	95
FR-A740-06830-EC	M12-M10	24.5	150-12	150-12	2×125	2×125	2×125	60	2×250	2×250	2×120	2×120	120
FR-A740-07700-EC	M12-M10	24.5	150-12	150-12	2×150	2×150	2×150	100	2×300	2×300	2×150	2×150	150
FR-A740-08660-EC	M12-M10	24.5	C2-200	C2-200	2×200	2×200	2×200	100	2×350	2×350	2×185	2×185	2×95
FR-A740-09620-EC	M12-M10	24.5	C2-200	C2-200	2×200	2×200	2×200	100	2×400	2×400	2×185	2×185	2×95
FR-A740-10940-EC	M12-M10	24.5	C2-250	C2-250	2×250	2×250	2×250	100	2×500	2×500	2×240	2×240	2×120
FR-A740-12120-EC	M12-M10	24.5	C2-200	C2-250	3×200	2×250	3×200	2×100	2×500	2×500	2×240	2×240	2×120

*1 For the 01800 or less, the cable size is that of the cable (HIV cable (600V class 2 vinyl-insulated cable) etc.) with continuous maximum permissible temperature of 75°C. Assumes that the ambient temperature is 50°C or less and the wiring distance is 20m or less.

For the 02160 or more, the recommended cable size is that of the cable (LMFC (heat resistant flexible cross-linked polyethylene insulated cable) etc.) with continuous maximum permissible temperature of 90°C. Assumes that the ambient temperature is 50°C or less and wiring is performed in an enclosure.

*2 For the 01160 or less, the recommended cable size is that of the cable (THHW cable) with continuous maximum permissible temperature of 75°C. Assumes that the ambient temperature is 40°C or less and the wiring distance is 20m or less.

For the 01800 or more, the recommended cable size is that of the cable (THHN cable) with continuous maximum permissible temperature of 90°C. Assumes that the ambient temperature is 40°C or less and wiring is performed in an enclosure. (Selection example for use mainly in the United States.)

*3 For the 01160 or less, the recommended cable size is that of the cable (PVC cable) with continuous maximum permissible temperature of 70°C. Assumes that the ambient temperature is 40°C or less and the wiring distance is 20m or less.

For the 01800 or more, the recommended cable size is that of the cable (XLPE cable) with continuous maximum permissible temperature of 90°C. Assumes that the ambient temperature is 40°C or less and wiring is performed in an enclosure. (Selection example for use mainly in Europe.)

*4 The terminal screw size indicates the terminal size for R/L1, S/L2, T/L3, U, V, W, and a screw for earthing (grounding).

For the 03250 and 03610, screw sizes are different (<R/L1, S/L2, T/L3, U, V, W, a screw for earthing (grounding)> - <P/+ for option connection>)

For the 04320 or more, screw sizes are different. (<R/L1, S/L2, T/L3, U, V, W> - <a screw for earthing (grounding)>)

The line voltage drop can be calculated by the following formula:

$$\text{line voltage drop [V]} = \frac{\sqrt{3} \times \text{wire resistance[m}\Omega\text{/m]} \times \text{wiring distance[m]} \times \text{current[A]}}{1000}$$

Use a larger diameter cable when the wiring distance is long or when it is desired to decrease the voltage drop (torque reduction) in the low speed range.

CAUTION

- Tighten the terminal screw to the specified torque.
A screw that has been tighten too loosely can cause a short circuit or malfunction.
- A screw that has been tighten too tightly can cause a short circuit or malfunction due to the unit breakage.
- Use crimping terminals with insulation sleeve to wire the power supply and motor.

(2) Notes on earthing (grounding)

- Always earth (ground) the motor and inverter.

1) Purpose of earthing (grounding)

Generally, an electrical apparatus has an earth (ground) terminal, which must be connected to the ground before use.

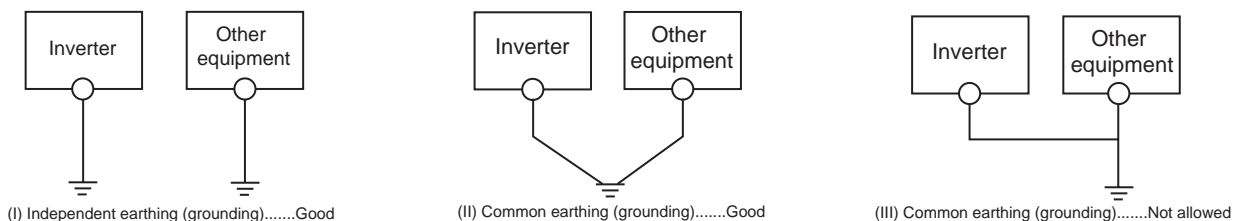
An electrical circuit is usually insulated by an insulating material and encased. However, it is impossible to manufacture an insulating material that can shut off a leakage current completely, and actually, a slight current flow into the case. The purpose of earthing (grounding) the case of an electrical apparatus is to prevent operator from getting an electric shock from this leakage current when touching it.

To avoid the influence of external noises, this earthing (grounding) is important to audio equipment, sensors, computers and other apparatuses that handle low-level signals or operate very fast.

2) Earthing (grounding) methods and earthing (grounding) work

As described previously, earthing (grounding) is roughly classified into an electrical shock prevention type and a noise-affected malfunction prevention type. Therefore, these two types should be discriminated clearly, and the following work must be done to prevent the leakage current having the inverter's high frequency components from entering the malfunction prevention type earthing (grounding):

- (a) Where possible, use independent earthing (grounding) for the inverter. If independent earthing (grounding) (I) is impossible, use joint earthing (grounding) (II) where the inverter is connected with the other equipment at an earthing (grounding) point. Joint earthing (grounding) as in (III) must be avoided as the inverter is connected with the other equipment by a common earth (ground) cable.
Also a leakage current including many high frequency components flows in the earth (ground) cables of the inverter and inverter-driven motor. Therefore, they must use the independent earthing (grounding) method and be separated from the earthing (grounding) of equipment sensitive to the aforementioned noises.
In a tall building, it will be a good policy to use the noise malfunction prevention type earthing (grounding) with steel frames and carry out electric shock prevention type earthing (grounding) in the independent earthing (grounding) method.
- (b) This inverter must be earthed (grounded). Earthing (Grounding) must conform to the requirements of national and local safety regulations and electrical codes. (JIS, NEC section 250, IEC 536 class 1 and other applicable standards).
- (c) Use the thickest possible earth (ground) cable. The earth (ground) cable should be of not less than the size indicated in the table on the previous page.
- (d) The grounding point should be as near as possible to the inverter, and the ground wire length should be as short as possible.
- (e) Run the earth (ground) cable as far away as possible from the I/O wiring of equipment sensitive to noises and run them in parallel in the minimum distance.



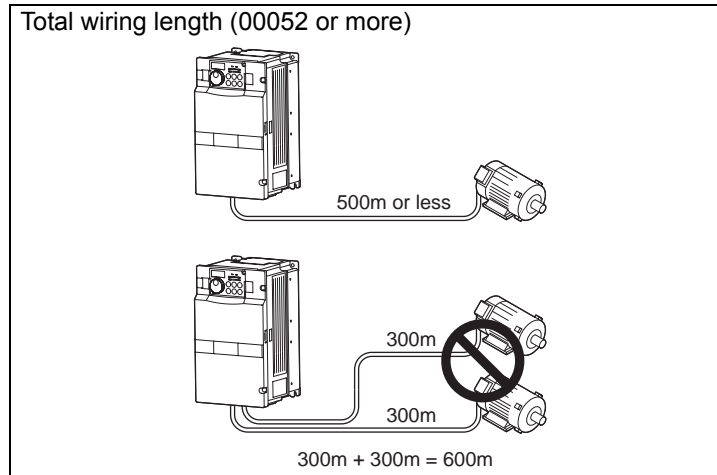
To be compliant with the European Directive (Low Voltage Directive), refer to the Installation guideline.



(3) Total wiring length

The overall wiring length for connection of a single motor or multiple motors should be within the value in the table below. (The wiring length should be 100m maximum for vector control.)

Pr. 72 PWM frequency selection setting (carrier frequency) *	00023	00038	00052 or more
2 (2kHz) or less	300m	500m	500m
3 (3kHz), 4 (4kHz)	200m	300m	500m
5 (5kHz) to 9 (9kHz)	100m		
10 (10kHz) or more	50m		



When driving a 400V class motor by the inverter, surge voltages attributable to the wiring constants may occur at the motor terminals, deteriorating the insulation of the motor. Refer to *page 55* for measures against deteriorated insulation.

CAUTION

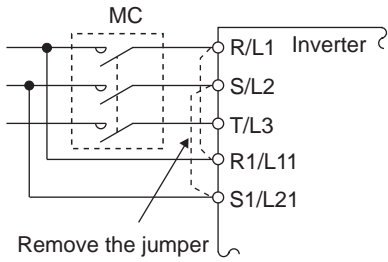
- Especially for long-distance wiring, the inverter may be affected by a charging current caused by the stray capacitances of the wiring, leading to a malfunction of the overcurrent protective function or fast response current limit function or a malfunction or fault of the equipment connected on the inverter output side. If fast-response current limit function malfunctions, disable this function. (For *Pr. 156 Stall prevention operation selection*, refer to *page 142*.)
- For details of *Pr. 72 PWM frequency selection*, refer to *page 268*.

(4) Cable size of the control circuit power supply (terminal R1/L11, S1/L21)

- Terminal screw size: M4
- Cable size: 0.75mm² to 2mm²
- Tightening torque: 1.5N·m

2.2.4 When connecting the control circuit and the main circuit separately to the power supply (separate power)

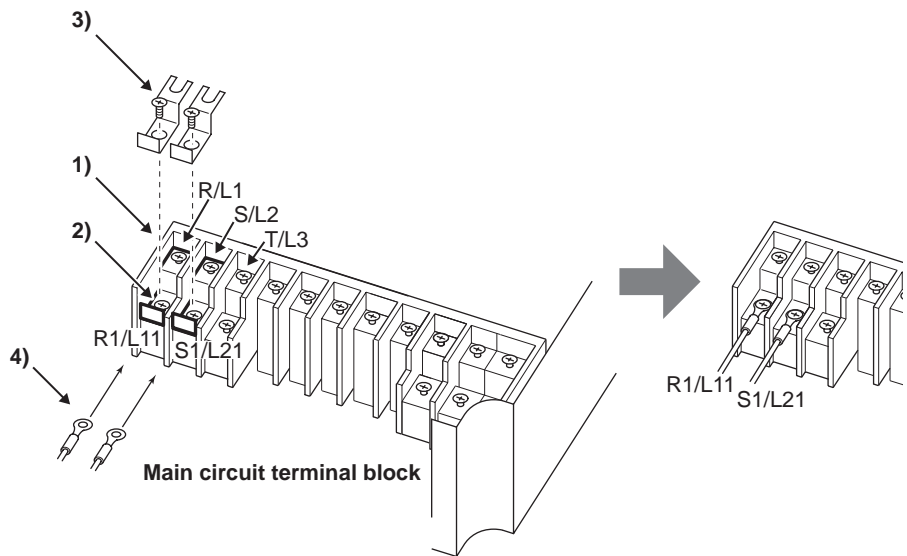
<Connection diagram>



When the protected circuit is activated, opening of the electromagnetic contactor (MC) on the inverter power supply side results in power loss in the control circuit, disabling the alarm output signal retention. Terminals R1/L11 and S1/L21 are provided to hold an alarm signal. In this case, connect the power supply terminals R1/L11 and S1/L21 of the control circuit to the primary side of the MC.

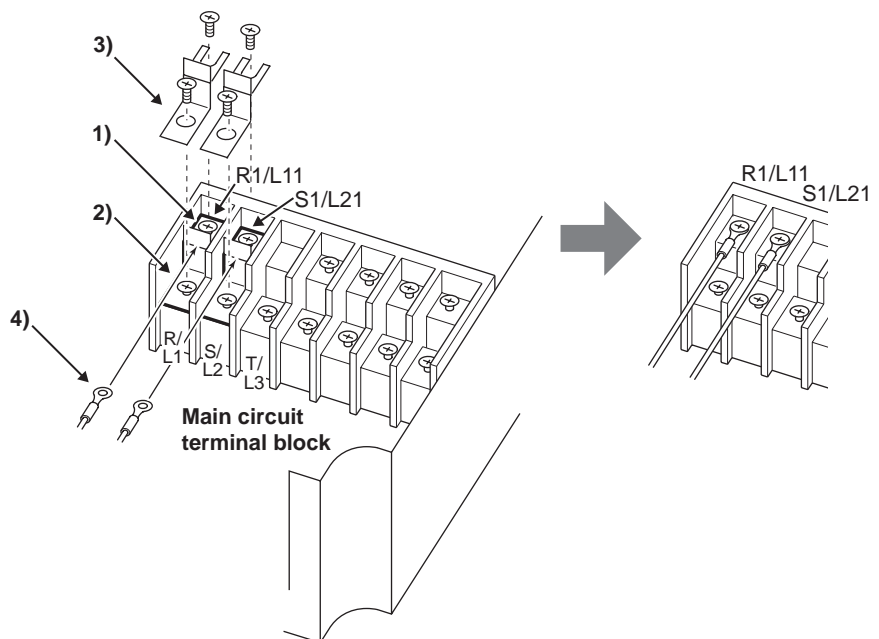
• FR-A740-00023 to 00126

- 1) Loosen the upper screws.
- 2) Remove the lower screws.
- 3) Remove the jumper
- 4) Connect the separate power supply cable for the control circuit to the lower terminals (R1/L11, S1/L21).



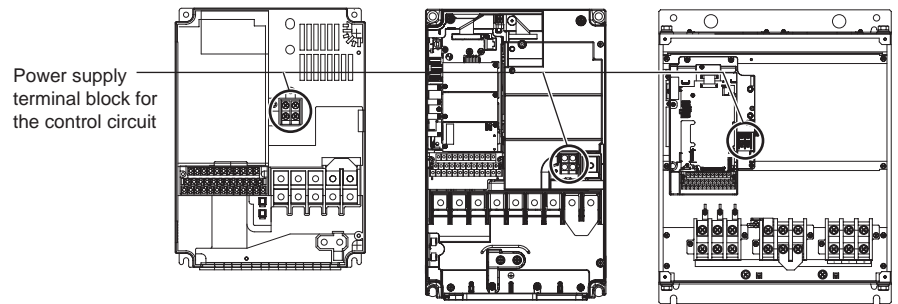
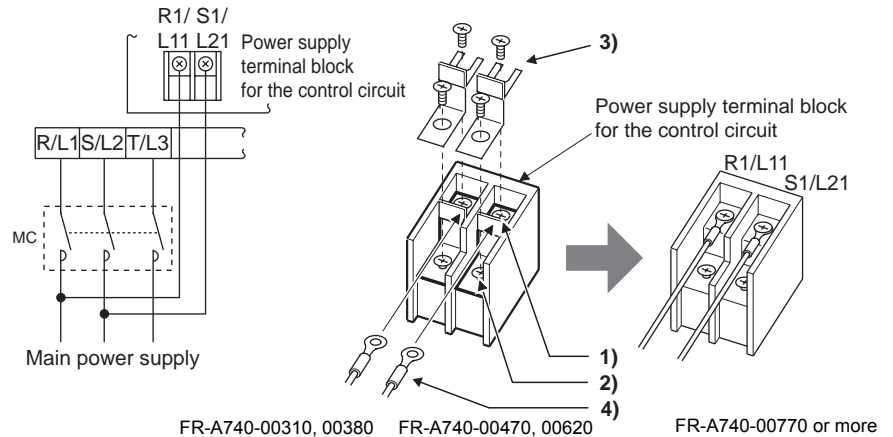
• FR-A740-00170 to 00250

- 1) Remove the upper screws.
- 2) Remove the lower screws.
- 3) Remove the jumper.
- 4) Connect the separate power supply cable for the control circuit to the upper terminals (R1/L11, S1/L21).



• FR-A740-00310 or more

- 1) Remove the upper screws.
- 2) Remove the lower screws.
- 3) Pull the jumper toward you to remove.
- 4) Connect the separate power supply cable for the control circuit to the upper terminals (R1/L11, S1/L21).
Never connect the power cable to the terminals in the lower stand.
Doing so will damage the inverter.



CAUTION

- Do not turn off the control power (terminals R1/L11 and S1/L21) with the main circuit power (R/L1, S/L2, T/L3) on. Doing so may damage the inverter.
- Be sure to use the inverter with the jumpers across terminals R/L1-R1/L11 and S/L2-S1/L21 removed when supplying power from other sources. The inverter may be damaged if you do not remove the jumper.
- The voltage should be the same as that of the main control circuit when the control circuit power is supplied from other than the primary side of the MC.
- The power capacity is 60VA or more for 00380 or less, 80VA or more for 00470 or more when separate power is supplied from R1/L11, S1/L21.
- When the power supply used with the control circuit is different from the one used with the main circuit, make up a circuit which will switch off the main circuit power supply terminals R/L1, S/L2, T/L3 when the control circuit power supply terminals R1/L11, S1/L21 are switched off.
- If the main circuit power is switched off (for 0.1s or more) then on again, the inverter resets and an alarm output will not be held.



2.3 Control circuit specifications

2.3.1 Control circuit terminals

indicates that terminal functions can be selected using Pr. 178 to Pr. 196 (I/O terminal function selection) (Refer to page 219.)

(1) Input signals

Type	Terminal Symbol	Terminal Name	Description		Rated Specifications	Refer to page
Contact input	STF	Forward rotation start	Turn on the STF signal to start forward rotation and turn it off to stop.	When the STF and STR signals are turned on simultaneously, the stop command is given.	Input resistance 4.7kΩ Voltage at opening: 21 to 27VDC Contacts at short-circuited: 4 to 6mADC	219
	STR	Reverse rotation start	Turn on the STR signal to start reverse rotation and turn it off to stop.			
	STOP	Start self-holding selection	Turn on the STOP signal to self-hold the start signal.			219
	RH, RM, RL	Multi-speed selection	Multi-speed can be selected according to the combination of RH, RM and RL signals.		219	
	JOG	Jog mode selection	Turn on the JOG signal to select Jog operation (initial setting) and turn on the start signal (STF or STR) to start Jog operation.			
	JOG	Pulse train input	JOG terminal can be used as pulse train input terminal. To use as pulse train input terminal, the Pr. 291 setting needs to be changed. (maximum input pulse: 100kpulses/s)		Input resistance 2kΩ Contacts at short-circuited: 8 to 13mADC	219
	RT	Second function selection	Turn on the RT signal to select second function. When the second function such as "second torque boost" and "second V/F (base frequency)" are set, turning on the RT signal selects these functions.		219	
	MRS	Output stop	Turn on the MRS signal (20ms or more) to stop the inverter output. Use to shut off the inverter output when stopping the motor by electromagnetic brake.			
	RES	Reset	Used to reset alarm output provided when protective function is activated. Turn on the RES signal for more than 0.1s, then turn it off. Initial setting is for reset always. By setting Pr. 75, reset can be set to enabled only at an inverter alarm occurrence. Recover about 1s after reset is cancelled.		Input resistance 4.7kΩ Voltage at opening: 21 to 27VDC Contacts at short-circuited: 4 to 6mADC	219
	AU	Terminal 4 input selection	Terminal 4 is made valid only when the AU signal is turned on. (The frequency setting signal can be set between 4 and 20mADC.) Turning the AU signal on makes terminal 2 (voltage input) invalid.		271	
		PTC input	AU terminal is used as PTC input terminal (thermal protection of the motor). When using it as PTC input terminal, set the AU/PTC switch to PTC.			175
	CS	Selection of automatic restart after instantaneous power failure	When the CS signal is left on, the inverter restarts automatically at power restoration. Note that restart setting is necessary for this operation. In the initial setting, a restart is disabled. (Refer to Pr. 57 Restart coasting time page 250)		219	
	SD	External transistor common, contact input common (sink)	Common terminal for contact input terminal (sink logic). Common output terminal for 24VDC 0.1A power supply (PC terminal). Isolated from terminals 5 and SE.		—	—
PC	24VDC power supply, contact input common (source)	When connecting the transistor output (open collector output), such as a programmable controller (PLC), when sink logic is selected, connect the external power supply common for transistor output to this terminal to prevent a malfunction caused by undesirable currents. Can be used as 24VDC 0.1A power supply. When source logic has been selected, this terminal serves as a contact input common.		Power supply voltage range 19.2 to 28.8VDC Current consumption 100mA	27	



Type	Terminal Symbol	Terminal Name	Description	Rated Specifications	Refer to page
Frequency setting	10E	Frequency setting power supply	When connecting the frequency setting potentiometer at an initial status, connect it to terminal 10.	10VDC±0.4V Permissible load current 10mA	271
	10		Change the input specifications of terminal 2 when connecting it to terminal 10E. (Refer to Pr. 73 Analog input selection in page 274.)	5.2VDC±0.2V Permissible load current 10mA	271
	2	Frequency setting (voltage)	Inputting 0 to 5VDC (or 0 to 10V, 4 to 20mA) provides the maximum output frequency at 5V (10V, 20mA) and makes input and output proportional. Use Pr. 73 to switch from among input 0 to 5VDC (initial setting), 0 to 10VDC, and 0 to 20mA. Set the voltage/current input switch in the ON position to select current input (0 to 20mA). *1	Voltage input: Input resistance 10kΩ ± 1kΩ Maximum permissible voltage 20VDC Current input: Input resistance 245Ω ± 5Ω Maximum permissible current 30mA	271
	4	Frequency setting (current)	Inputting 4 to 20mADC (or 0 to 5V, 0 to 10V) provides the maximum output frequency at 20mA makes input and output proportional. This input signal is valid only when the AU signal is on (terminal 2 input is invalid). Use Pr. 267 to switch from among input 4 to 20mA (initial setting), 0 to 5VDC, and 0 to 10VDC. Set the voltage/current input switch in the OFF position to select voltage input (0 to 5V/0 to 10V). Use Pr. 858 to switch terminal functions.*1	Input resistance 10kΩ ± 1kΩ Maximum permissible voltage ± 20VDC	271
	1	Frequency setting auxiliary	Inputting 0 to ±5 VDC or 0 to ±10VDC adds this signal to terminal 2 or 4 frequency setting signal. Use Pr. 73 to switch between the input 0 to ±5VDC and 0 to ±10VDC (initial setting).	Input resistance 10kΩ ± 1kΩ Maximum permissible voltage ± 20VDC	271
	5	Frequency setting common	Common terminal for frequency setting signal (terminal 2, 1 or 4) and analog output terminal AM and CA. Do not earth (ground).	—	271

*1 Set Pr. 73, Pr. 267, and a voltage/current input switch correctly, then input an analog signal in accordance with the setting. Application of voltage with switch on (current input specification) or current with switch on (voltage input specification) could lead to damage to the inverter or analog circuit of external devices. (For details, refer to page 271.)

(2) Output signals

Type	Terminal Symbol	Terminal Name	Description	Rated Specifications	Refer to page
Relay	A1, B1, C1	Relay output 1 (alarm output)	1 changeover contact output indicates that the inverter protective function has activated and the output stopped. Abnormal: No conduction across B-C (Across A-C Continuity), Normal: Across B-C Continuity (No conduction across A-C)	Contact capacity: 230VAC 0.3A (Power factor=0.4) 30VDC 0.3A	226
	A2, B2, C2	Relay output 2	1 changeover contact output		226



Type	Terminal Symbol	Terminal Name	Description	Rated Specifications	Refer to page	
Open collector	RUN	Inverter running	Switched low when the inverter output frequency is equal to or higher than the starting frequency (initial value 0.5Hz). Switched high during stop or DC injection brake operation.*1	Permissible load 24VDC 0.1A (A voltage drop is 2.8V maximum when the signal is on.)	226	
	SU	Up to frequency	Switched low when the output frequency reaches within the range of $\pm 10\%$ (initial value) of the set frequency. Switched high during acceleration/ deceleration and at a stop.*1		226	
	OL	Overload alarm	Switched low when stall prevention is activated by the stall prevention function. Switched high when stall prevention is cancelled.*1		Alarm code (4bit) output (Refer to page 259)	226
	IPF	Instantaneous power failure	Switched low when an instantaneous power failure and under voltage protections are activated.*1			226
	FU	Frequency detection	Switched low when the inverter output frequency is equal to or higher than the preset detected frequency and high when less than the preset detected frequency.*1		226	
	SE	Open collector output common	Common terminal for terminals RUN, SU, OL, IPF, FU		—	—
Analog	CA	Analog current output	Select one e.g. output frequency from monitor items.*2 The output signal is proportional to the magnitude of the corresponding monitoring item.	Output item: Output frequency (initial setting)	247	
	AM	Analog voltage output			Load impedance 200 Ω to 450 Ω Output signal 0 to 20mADC Output signal 0 to 10VDC Permissible load current 1mA (load impedance 10k Ω or more) Resolution 8 bit	247

*1 Low indicates that the open collector output transistor is on (conducts).

High indicates that the transistor is off (does not conduct).

*2 Not output during inverter reset.

(3) Communication

Type	Terminal Symbol	Terminal Name	Description	Refer to page	
RS-485	—	PU connector	With the PU connector, communication can be made through RS-485. (for connection on a 1:1 basis only) . Conforming standard : EIA-485(RS-485) . Transmission format : Multidrop . Communication speed : 4800 to 38400bps . Overall length : 500m	309	
	RS-485 terminals	TXD+	Inverter transmission terminal	With the RS-485 terminals, communication can be made through RS-485. Conforming standard : EIA-485(RS-485) Transmission format : Multidrop link Communication speed : 300 to 38400bps Overall length : 500m	311
		TXD-	Inverter reception terminal		
		RXD+	Inverter reception terminal		
		RXD-	Inverter reception terminal		
SG	Earth (Ground)				
USB	—	USB connector	The FR-Configurator can be performed by connecting the inverter to the personnel computer through USB. Interface: Conforms to USB1.1 Transmission speed: 12Mbps Connector: USB B connector (B receptacle)	342	

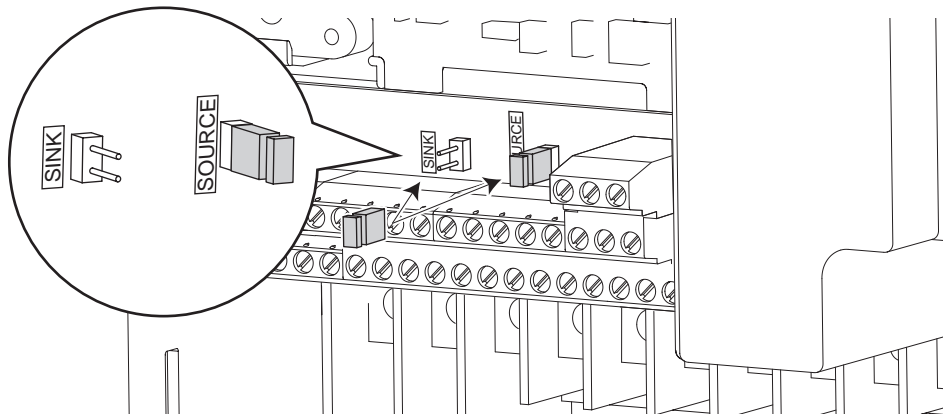


2.3.2 Changing the control logic

The input signals are set to source logic (SOURCE) when shipped from the factory.

To change the control logic, the jumper connector on the control circuit terminal block must be moved to the other position.

(The output signals may be used in either the sink or source logic independently of the jumper connector position.)



CAUTION

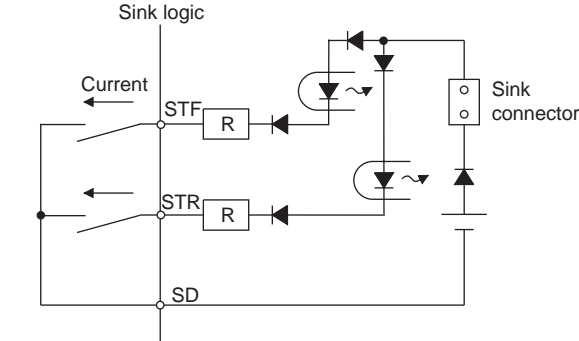
Turn off the inverter power before switching a jumper connector.



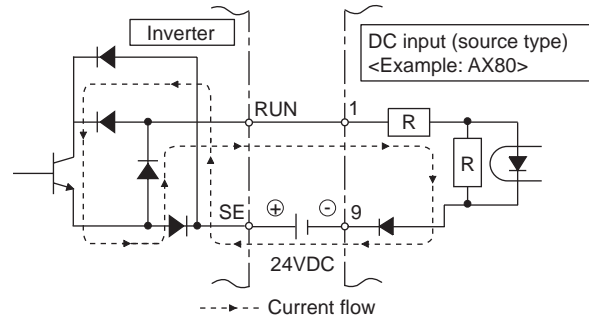
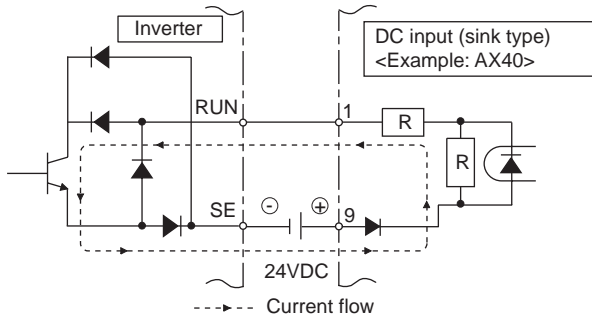
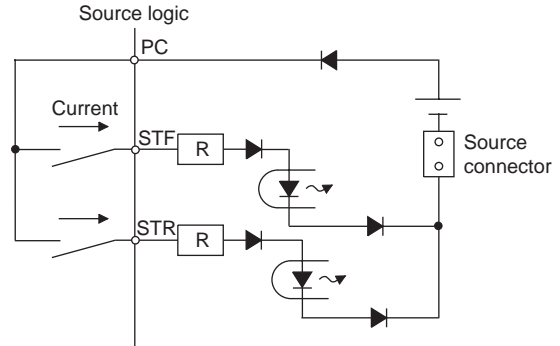
Sink logic and source logic

- In sink logic, a signal switches on when a current flows from the corresponding signal input terminal. Terminal SD is common to the contact input signals. Terminal SE is common to the open collector output signals.
- In source logic, a signal switches on when a current flows into the corresponding signal input terminal. Terminal PC is common to the contact input signals. Terminal SE is common to the open collector output signals.

● Current flow concerning the input/output signal when sink logic is selected

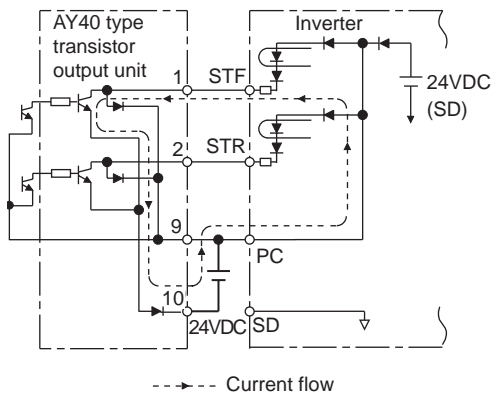


● Current flow concerning the input/output signal when source logic is selected

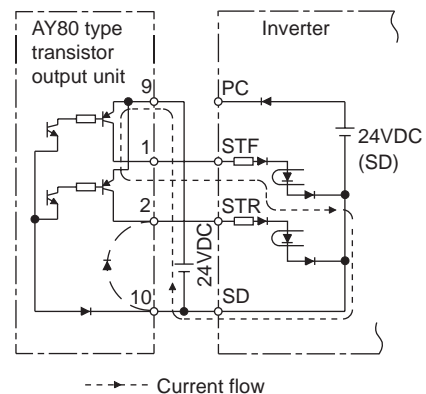


- When using an external power supply for transistor output

· Sink logic type
 Use terminal PC as a common terminal to prevent a malfunction caused by undesirable current. (Do not connect terminal SD of the inverter with terminal 0V of the external power supply. When using terminals PC-SD as a 24VDC power supply, do not install a power supply in parallel in the outside of the inverter. Doing so may cause a malfunction due to undesirable current.)

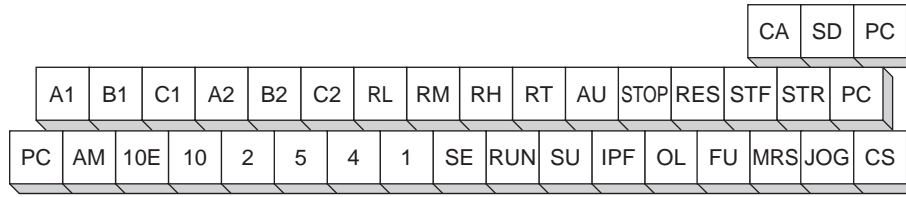


· Source logic type
 When using an external power supply for transistor output, use terminal SD as a common to prevent misoperation caused by undesirable current.





2.3.3 Control circuit terminal layout



(1) Wiring method

<p>Loosen the terminal screw and insert the cable into the terminal.</p> <ul style="list-style-type: none"> 🔧 Screw Size: M3 🛠️ Tightening Torque: 0.5N·m to 0.6N·m 🔧 Cable size: 0.3mm² to 0.75mm² 🔧 Screwdriver: Small ⊖ flat-blade screwdriver (Edge thickness: 0.4mm/Edge width: 2.5mm) <hr/> <p style="text-align: center;">CAUTION</p> <p>Undertightening can cause cable disconnection or malfunction. Overtightening can cause a short circuit or malfunction due to damage to the screw or unit.</p>	<div style="text-align: center;"> <p>Cable stripping size</p> <p>5mm</p> </div> <p>Wire the stripped cable after twisting it to prevent it from becoming loose. In addition, do not solder it.</p>
--	--

(2) Common terminals of the control circuit (PC, 5, SE)

Terminals PC, 5, and SE are all common terminals (0V) for I/O signals and are isolated from each other. Do not earth (ground) these terminals.

Avoid connecting the terminal PC and 5 and the terminal SE and 5.

Terminal PC is a common terminal for the contact input terminals (STF, STR, STOP, RH, RM, RL, JOG, RT, MRS, RES, AU, CS).

The open collector circuit is isolated from the internal control circuit by photocoupler.

Terminal 5 is a common terminal for frequency setting signal (terminal 2, 1 or 4), analog current output terminal (CA) and analog output terminal AM.

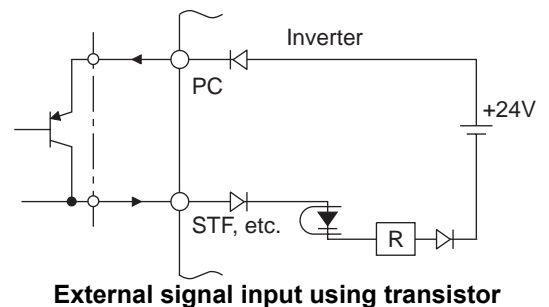
It should be protected from external noise using a shielded or twisted cable.

Terminal SE is a common terminal for the open collector output terminal (RUN, SU, OL, IPF, FU).

The contact input circuit is isolated from the internal control circuit by photocoupler.

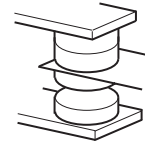
(3) Signal inputs by contactless switches

The contacted input terminals of the inverter (STF, STR, STOP, RH, RM, RL, JOG, RT, MRS, RES, AU, CS) can be controlled using a transistor instead of a contacted switch as shown on the right.

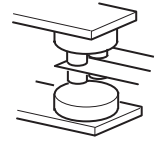


2.3.4 Wiring instructions

- 1) Terminals 5, PC and SE are common to the I/O signals and isolated from each other. Do not earth (ground). Avoid connecting the terminal PC and 5 and the terminal SE and 5.
- 2) Use shielded or twisted cables for connection to the control circuit terminals and run them away from the main and power circuits (including the 200V relay sequence circuit).
- 3) Use two or more parallel micro-signal contacts or twin contacts to prevent a contact faults when using contact inputs since the control circuit input signals are micro-currents.



Micro signal contacts

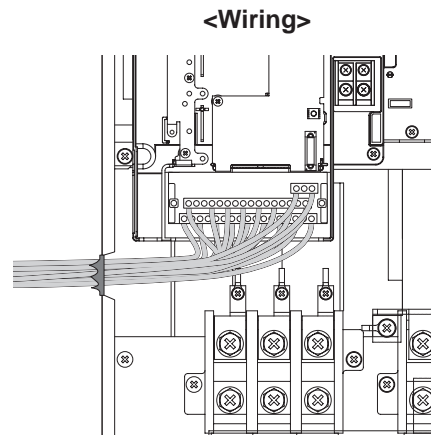
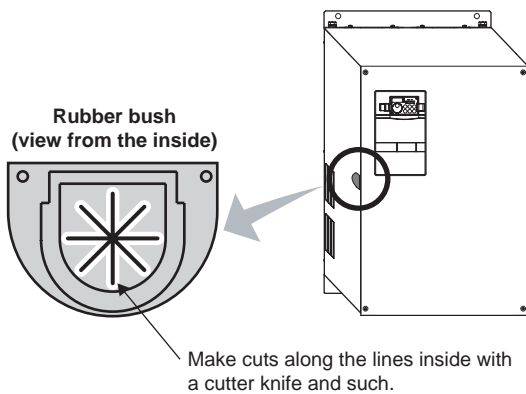


Twin contacts

- 4) Do not apply a voltage to the contact input terminals (e.g. STF) of the control circuit.
- 5) Always apply a voltage to the alarm output terminals (A, B, C) via a relay coil, lamp, etc.
- 6) It is recommended to use the cables of 0.75mm² gauge for connection to the control circuit terminals.
If the cable gauge used is 1.25mm² or more, the front cover may be lifted when there are many cables running or the cables are run improperly, resulting in an operation panel contact fault.
- 7) The wiring length should be 30m maximum.

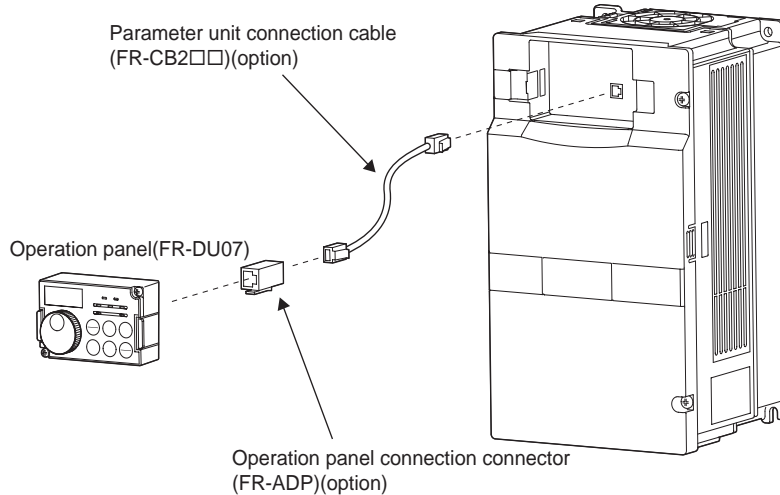
● Wiring of the control circuit of the 02160 or more

For wiring of the control circuit of the 02160 or more, separate away from wiring of the main circuit.
Make cuts in rubber bush of the inverter side and lead wires.



2.3.5 When connecting the operation panel using a connection cable

When connecting the operation panel (FR-DU07) to the inverter using a cable, the operation panel can be mounted on the enclosure surface and operability improves.



REMARKS

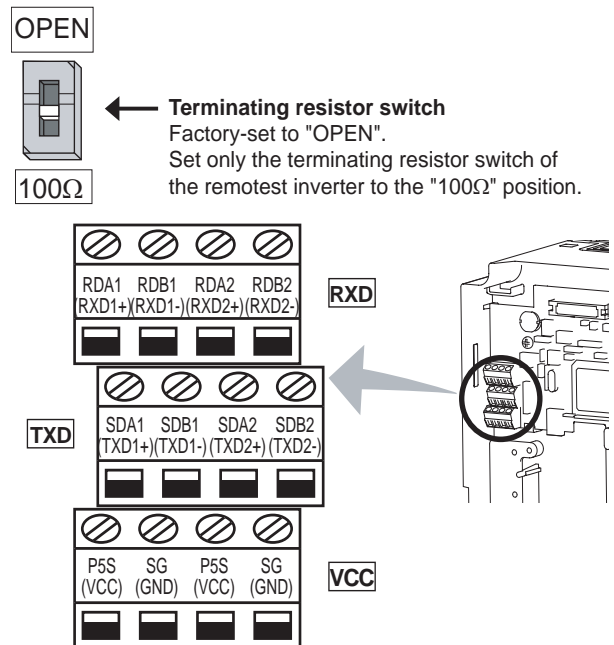
- Overall wiring length when the operation panel is connected: 20m
- Refer to the following when fabricating the cable on the user side.
Commercially available product examples (as of Apr., 2004)

	Product	Type	Maker
1)	10BASE-T cable	SGLPEV-T 0.5mm × 4P *	Mitsubishi Cable Industries, Ltd.
2)	RJ-45 connector	5-554720-3	Tyco Electronics Corporation

* Do not use pins No. 2, 8 of the 10BASE-T cable.

2.3.6 RS-485 terminal block

- Conforming standard: EIA-485(RS-485)
- Transmission format: Multidrop link
- Communication speed: MAX 38400bps
- Overall length: 500m
- Connection cable: Twisted pair cable (4 paires)



2.3.7 Communication operation

Using the PU connector or RS-485 terminal, you can perform communication operation from a personal computer etc. When the PU connector is connected with a personal, FA or other computer by a communication cable, a user program can run and monitor the inverter or read and write to parameters.

For the Mitsubishi inverter protocol (computer link operation), communication can be performed with the PU connector and RS-485 terminal.

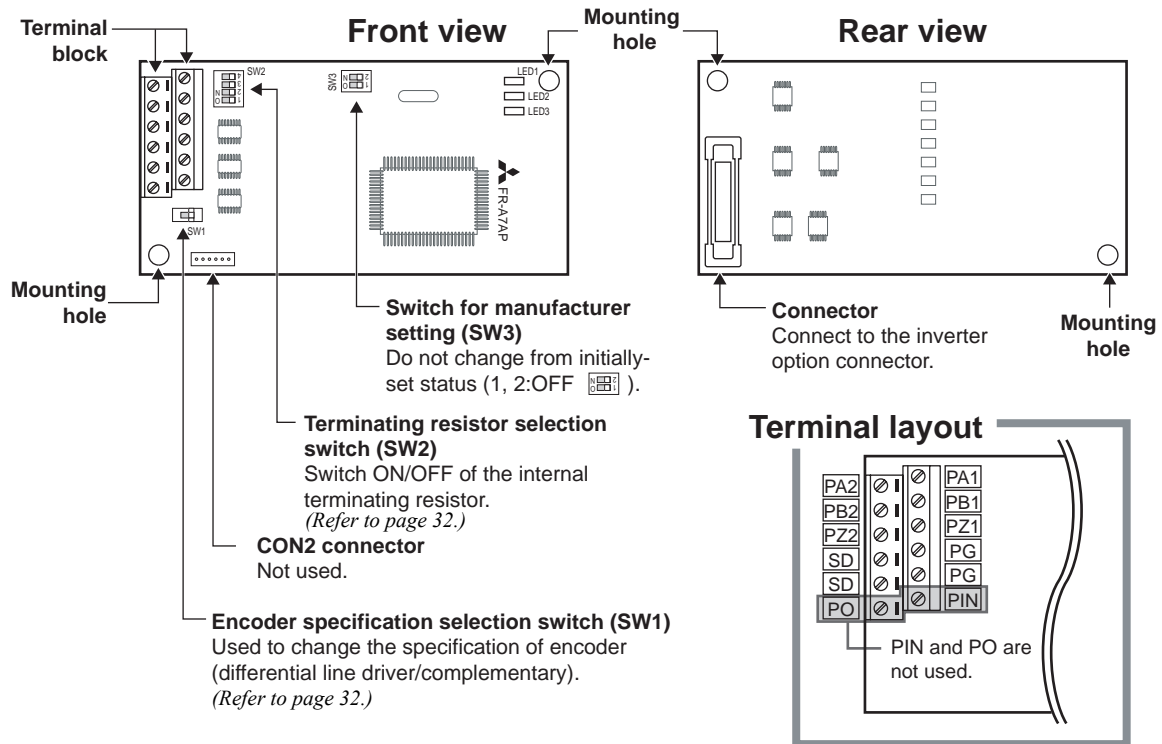
For the Modbus RTU protocol, communication can be performed with the RS-485 terminal.

For further details, refer to 309.

2.4 Connection of motor with encoder (vector control)

Orientation control and encoder feedback control, and speed control, torque control and position control by full-scale vector control operation can be performed using a motor with encoder and a plug-in option FR-A7AP.

(1) Structure of the FR-A7AP



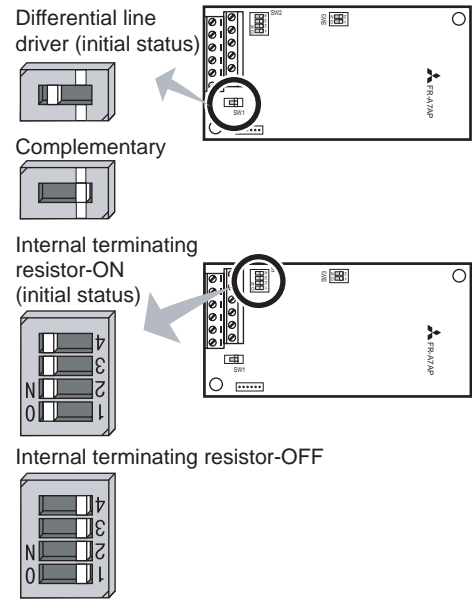
(2) Terminals of the FR-A7AP

Terminal	Terminal Name	Description
PA1	Encoder A-phase signal input terminal	A-, B- and Z-phase signals are input from the encoder.
PA2	Encoder A-phase inverse signal input terminal	
PB1	Encoder B-phase signal input terminal	
PB2	Encoder B-phase inverse signal input terminal	
PZ1	Encoder Z-phase signal input terminal	
PZ2	Encoder Z-phase inversion signal input terminal	
PG	Encoder power supply (positive side) input terminal	Input terminal for the encoder power supply. Connect the external power supply (5V, 12V, 15V, 24V) and the encoder power cable.
SD	Encoder power supply ground terminal	
PIN	Not used.	
PO		

Connection of motor with encoder (vector control)

(3) Switches of the FR-A7AP

- Encoder specification selection switch (SW1)
Select either differential line driver or complementary
It is initially set to the differential line driver. Switch its position according to output circuit.
- Terminating resistor selection switch (SW2)
Select ON/OFF of the internal terminating resistor. Set the switch to ON (initial status) when an encoder output type is differential line driver and set to OFF when complimentary.
ON : with internal terminating resistor (initial status)
OFF : without internal terminating resistor



REMARKS

- Set all switches to the same setting (ON/OFF).
- If the encoder output type is differential line driver, set the terminating resistor switch to the "OFF" position when sharing the same encoder with other unit (NC (numerical controller), etc) or a terminating resistor is connected to other unit.
- Motor used and switch setting

Motor		Encoder Specification Selection Switch (SW1)	Terminating Resistor Selection Switch (SW2)	Power Specifications *2
Mitsubishi standard motor Mitsubishi high efficiency motor	SF-JR	Differential	ON	5V
	SF-HR	Differential	ON	5V
	Others	*1	*1	*1
Mitsubishi constant-torque motor	SF-JRCA	Differential	ON	5V
	SF-HRCA	Differential	ON	5V
	Others	*1	*1	*1
Vector control dedicated motor	SF-V5RU	Complimentary	OFF	12V
Other manufacturer motor	-	*1	*1	*1

*1 Set according to the motor (encoder) used.

*2 Choose a power supply (5V/12V/15V/24V) for encoder according to the encoder used.

CAUTION

SW3 switch is for manufacturer setting. Do not change the setting.

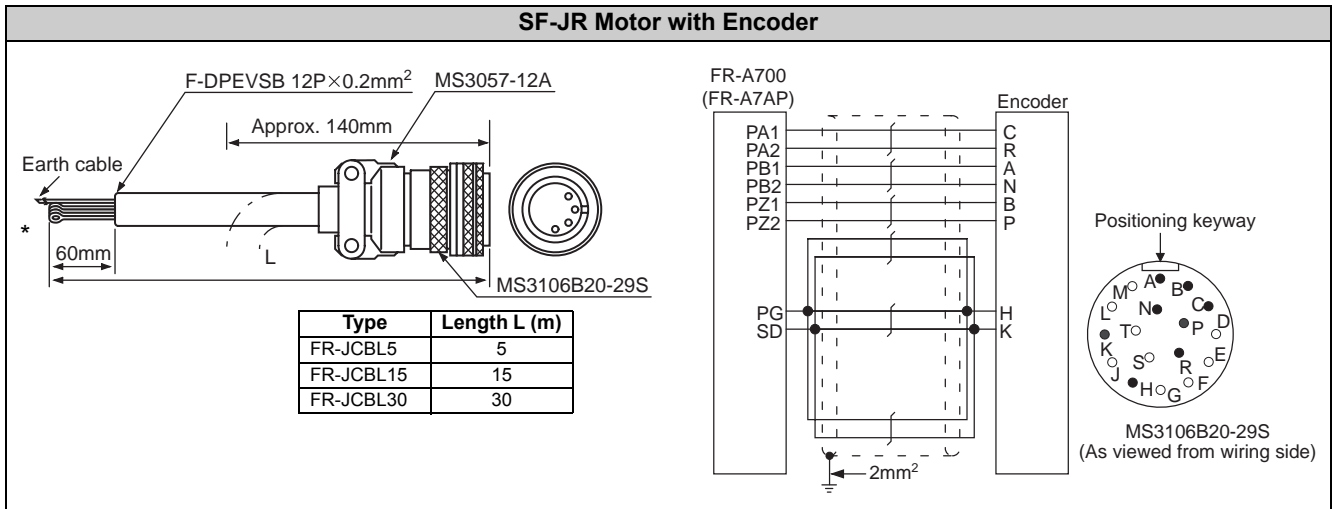
- Encoder specification

Item	Encoder for SF-JR
Resolution	1024 Pulse/Rev
Power supply voltage	5VDC±10%
Current consumption	150mA
Output signal form	A, B phases (90° phase shift) Z phase: 1 pulse/rev
Output circuit	Differential line driver 74LS113 equivalent
Output voltage	H level: 2.4V or more L level: 0.5V or less

CAUTION

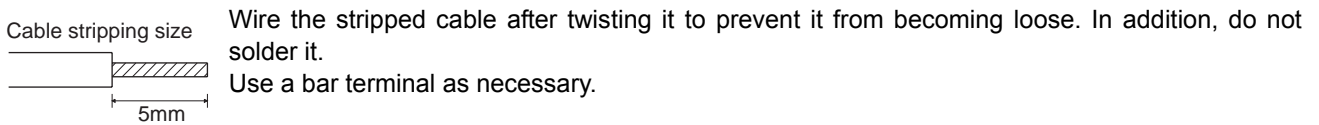
Encoder with resolution of 1000 to 4096 pulse/rev is recommended.

(4) Encoder Cable



* As the terminal block of the FR-A7AP is an insertion type, earth cables need to be modified. (See below)

- When using the dedicated encoder cable (FR-JCBL, FR-V5CBL, etc.) for the conventional motor, cut the crimping terminal of the encoder cable and strip its sheath to make its cables loose. Also, protect the shielded cable of the twisted pair shielded cable to ensure that it will not make contact with the conductive area.

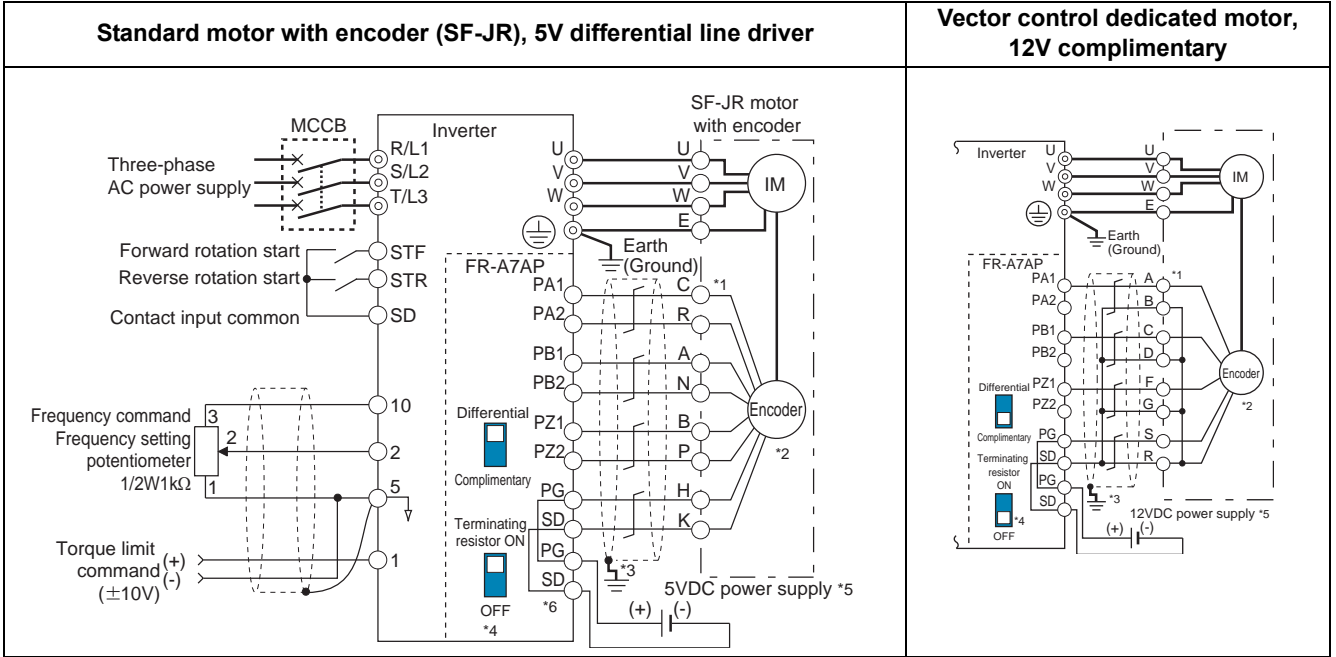


Connection terminal compatibility table

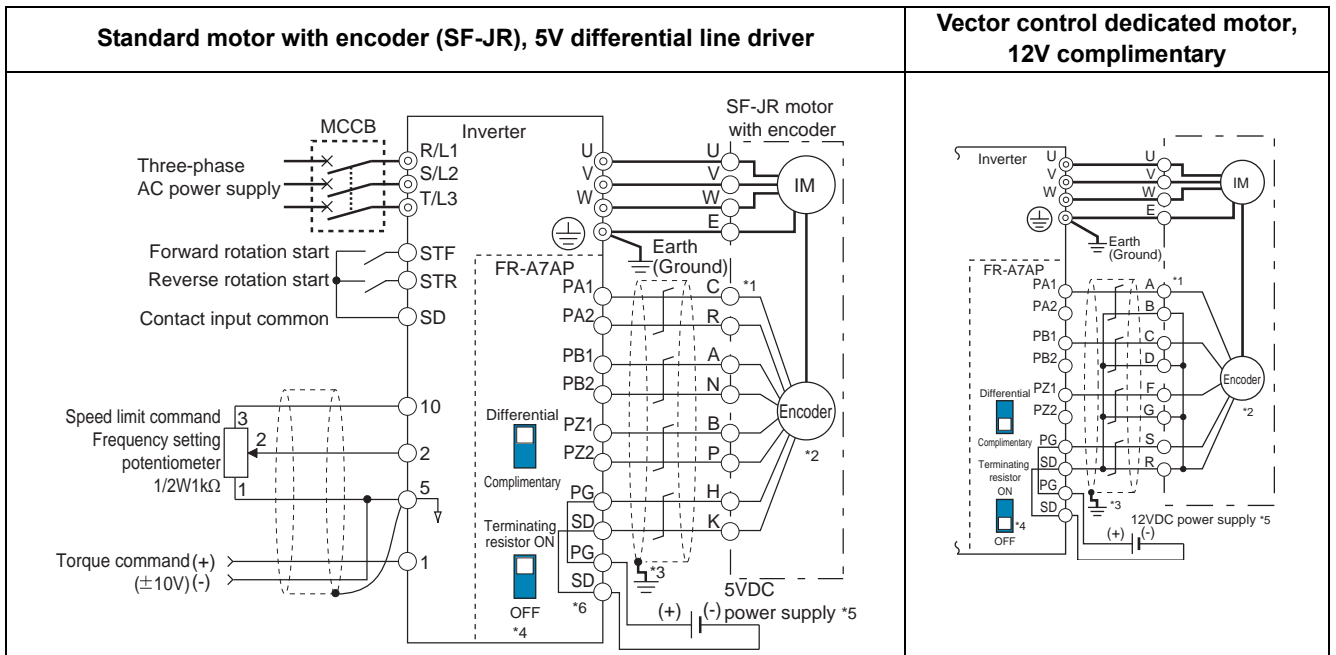
Motor		SF-JR/HR/JRCA/HRCA (with Encoder)
Encoder cable		FR-JCBL
FR-A7AP terminal	PA1	PA
	PA2	PAR
	PB1	PB
	PB2	PBR
	PZ1	PZ
	PZ2	PZR
	PG	5E
	SD	AG2

(5) Wiring

- Speed control

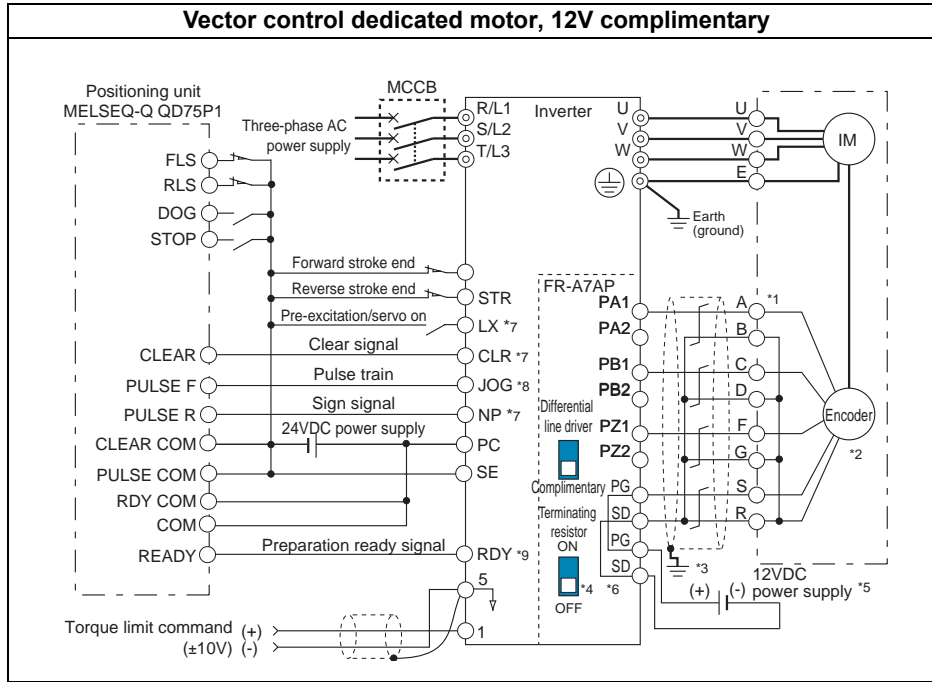


- Torque control



- *1 The pin number differs according to the encoder used. Speed control and torque control are properly performed even without connecting Z phase.
- *2 Connect the encoder so that there is no looseness between the motor and motor shaft. Speed ratio should be 1:1.
- *3 Earth (Ground) the shielded cable of the encoder cable to the enclosure with a P clip, etc. (Refer to page 36.)
- *4 For the complimentary, set the terminating resistor selection switch to off position. (Refer to page 32.)
- *5 A separate power supply of 5V/12V/15V/24V is necessary according to the encoder power specification. When performing orientation control together, an encoder and power supply can be shared.
- *6 For terminal compatibility of the FR-JCBL and FR-A7AP, refer to page 33.

- Position control



- *1 The pin number differs according to the encoder used.
Position control by pulse train input is properly performed even without connecting Z phase.
- *2 Connect the encoder so that there is no looseness between the motor and motor shaft. Speed ratio should be 1:1.
- *3 Earth (Ground) the shielded cable of the encoder cable to the enclosure with a P clip, etc. (Refer to page 36.)
- *4 For the complementary, set the terminating resistor selection switch to off position. (Refer to page 32.)
- *5 A separate power supply of 5V/12V/15V/24V is necessary according to the encoder power specification.
When performing orientation control together, an encoder and power supply can be shared.
- *6 For terminal compatibility of the FR-JCBL and FR-A7AP, refer to page 33.
- *7 Assign the function using Pr. 178 to Pr. 184, Pr. 187 to Pr. 189 (input terminal function selection).
- *8 When position control is selected, terminal JOG function is made invalid and conditional position pulse train input terminal becomes valid.
- *9 Assign the function using Pr. 190 to Pr. 194 (output terminal function selection).

Connection of motor with encoder (vector control)

(6) Instructions for encoder cable wiring

- Use twisted pair shield cables (0.2mm² or larger) to connect the FR-A7AP and position detector. Cables to terminals PG and SD should be connected in parallel or be larger in size according to the cable length. To protect the cables from noise, run them away from any source of noise (e.g. the main circuit and power supply voltage).

Wiring Length	Paralell Connection	Larger-Size Cable
Within 10m	At least 2 cables	0.4mm ² or larger
Within 20m	At least 4 cables	0.75mm ² or larger
Within 100m *	At least 6 cables	1.25mm ² or larger

* When differential line driver is set and a wiring length is 30m or more

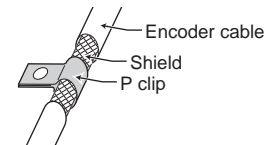
The wiring length can be extended to 100m by slightly increasing the power by 5V (approx. 5.5V) using six or more cables with gauge size of 0.2mm² in parallel or a cable with gauge size of 1.25mm² or more. Note that the voltage applied should be within power supply specifications of encoder.

- To reduce noise of the encoder cable, earth (ground) the encoder shielded cable to the enclosure (as near as the inverter) with a P clip or U clip made of metal.

REMARKS

- For details of the optional encoder dedicated cable (FR-JCBL), refer to page 33.

Earthing (grounding) example using a P clip



(7) Parameter for encoder (Pr. 359, Pr. 369)

Parameter Number	Name	Initial Value	Setting Range	Description
359	Encoder rotation direction	1	0	Forward rotation is clockwise rotation when viewed from A.
			1	Forward rotation is counterclockwise rotation when viewed from A.
369	Number of encoder pulses	1024	0 to 4096	Set the number of encoder pulses output. Set the number of pulses before it is multiplied by 4.

The above parameters can be set when the FR-A7AP (option) is mounted.

(8) Motor for vector control and parameter setting

Motor Name		Pr. 9 Electronic thermal O/L relay	Pr. 71 Applied motor	Pr. 80 Motor capacity	Pr. 81 Number of motor poles	Pr. 359 Encoder rotation direction	Pr. 369 Number of encoder pulses
Mitsubishi standard motor	SF-JR	Motor rated current	0	Motot capacity	Number of motor poles	1	1024
	SF-JR 4P 1.5kW or less	Motor rated current	20	Motot capacity	Number of motor poles	1	1024
	SF-HR	Motor rated current	40	Motot capacity	Number of motor poles	1	1024
	Others	Motor rated current	3 *1	Motot capacity	Number of motor poles	*2	*2
Mitsubishi constant-torque motor	SF-JRCA 4P	Motor rated current	1	Motot capacity	4	1	1024
	SF-HRCA 4P	Motor rated current	50	Motot capacity	4	1	1024
	Others	Motor rated current	13 *1	Motot capacity	Number of motor poles	*2	*2
Mitsubishi vector control dedicated motor	SF-V5RU (1500r/min series)	0 *3	30	Motot capacity	4	1	2048
Other manufacturer's standard motor	—	Motor rated current	3 *1	Motot capacity	Number of motor poles	*2	*2
Other manufacturer's constant torque motor	—	Motor rated current	13 *1	Motot capacity	Number of motor poles	*2	*2

Values in the bolded frame are initial values.

*1 Offline auto tuning is necessary. (Refer to page 178)

*2 Set this parameter according to the motor (encoder) used.

*3 Use thermal protector input provided with the motor.

◆Parameters referred to◆

Vector control (speed control) Refer to page 90.

Vector control (torque control) Refer to page 114.

Vector control (position control) Refer to page 122.

Orientation control Refer to page 208.

Encoder feedback control Refer to page 362.

2.5 Connection of stand-alone option units

The inverter accepts a variety of stand-alone option units as required.

Incorrect connection will cause inverter damage or accident. Connect and operate the option unit carefully in accordance with the corresponding option unit manual.

2.5.1 Connection of the dedicated external brake resistor (FR-ABR) (00620 or less)

The built-in brake resistor is connected across terminals P/+ and PR. Fit the external dedicated brake resistor (FR-ABR) when the built-in brake resistor does not have enough thermal capability for high-duty operation. At this time, remove the jumper from across terminals PR-PX (00250 or less) and connect the dedicated brake resistor (FR-ABR) across terminals P/+ -PR.

(For the locations of terminal P/+ and PR, refer to the terminal block layout (page 15).)

Removing jumpers across terminal PR-PX disables the built-in brake resistor (power is not supplied).

Note that the built-in brake resistor is not need to be removed from the inverter.

The lead wire of the built-in brake resistor is not need to be removed from the terminal.

Set parameters below.

· Pr. 30 Regenerative function selection = "1"

· Pr. 70 Special regenerative brake duty = "00250 or less: 10%, 00310 or more: 6%" (Refer to page 195)

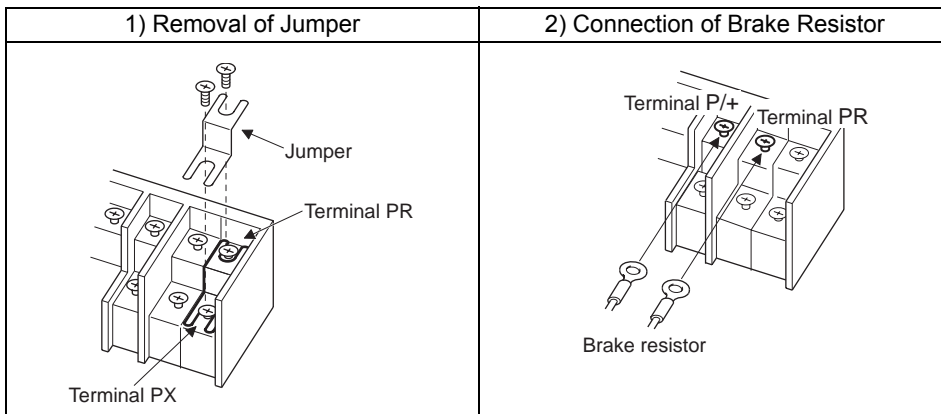
CAUTION

1. The brake resistor connected should only be the dedicated brake resistor.
2. The jumper across terminals PR-PX (00250 or less) must be disconnected before connecting the dedicated brake resistor. Doing so may damage the inverter.

●FR-A740-00023 to 00126

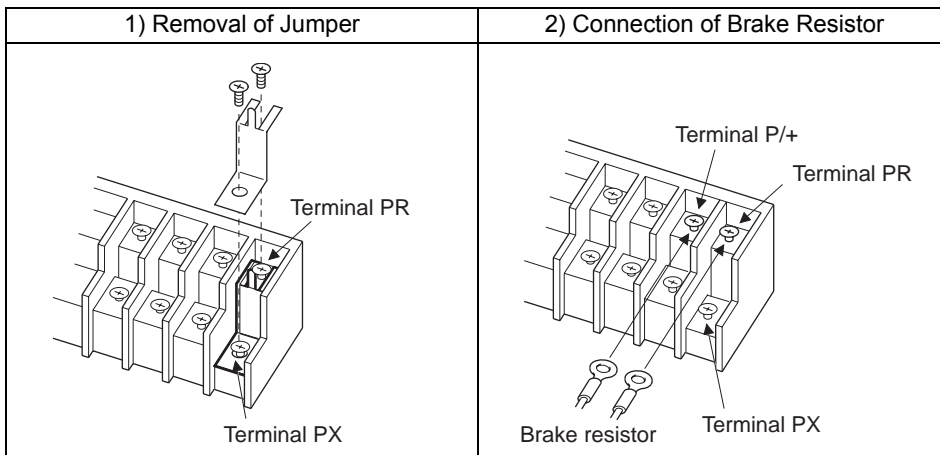
1) Remove the screws in terminals PR and PX and remove the jumper.

2) Connect the brake resistor across terminals P/+ and PR. (The jumper should remain disconnected.)



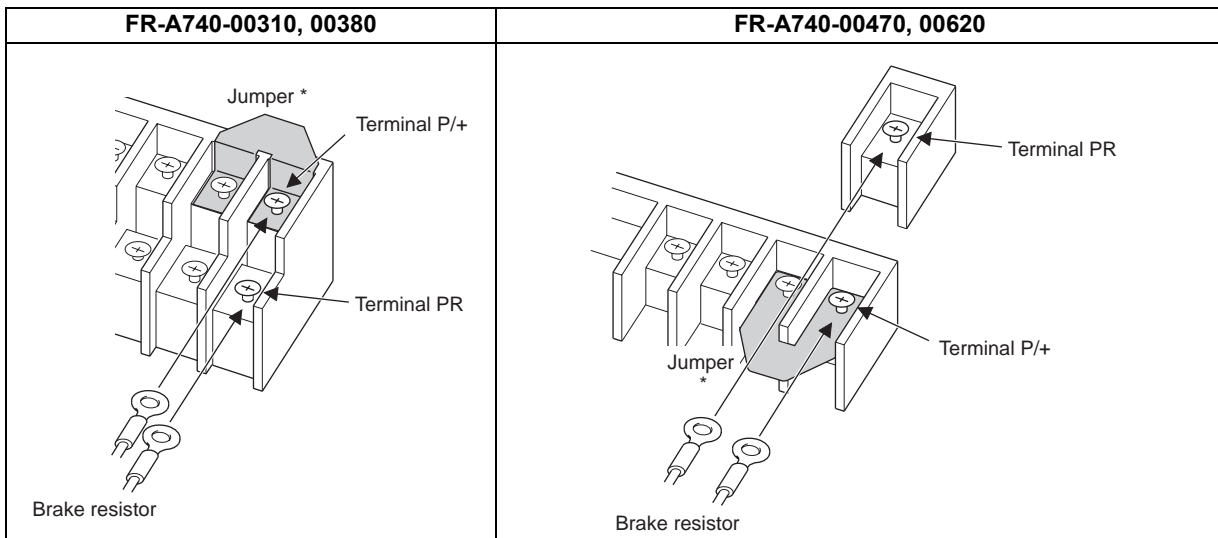
●FR-A740-00170, 00250

- 1) Remove the screws in terminals PR and PX and remove the jumper.
- 2) Connect the brake resistor across terminals P/+ and PR. (The jumper should remain disconnected.)



●FR-A740-00310 to 00620

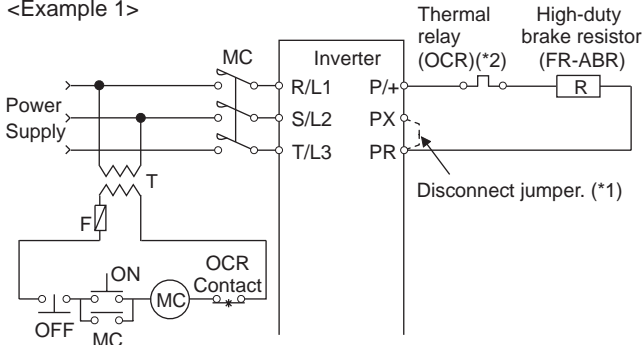
Connect the brake resistor across terminals P/+ and PR.



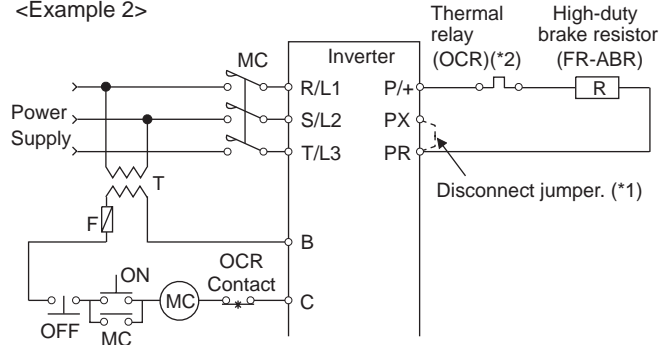
* Do not remove a jumper across terminal P/+ and P1 except when connecting a DC reactor.

- When the regenerative brake transistor is damaged, the following sequence is recommended to prevent overheat and burnout of the brake resistor.

<Example 1>



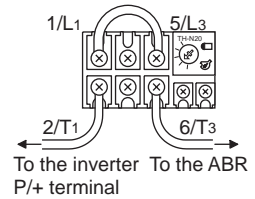
<Example 2>



*1 Since the 00310 or more inverter is not provided with the PX terminal, a jumper is not need to be removed.

*2 Refer to the table below for the type number of each capacity of thermal relay and the diagram below for the connection. (Always install a thermal relay when using the 00310 or more)

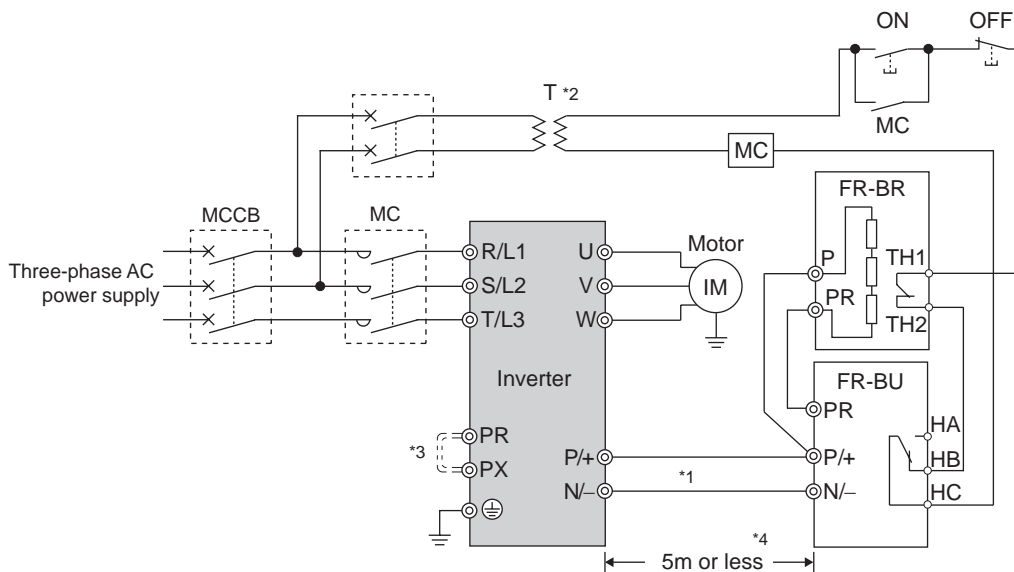
Power Supply Voltage	High-Duty Brake Resistor	Thermal Relay Type (Mitsubishi product)	Contact Rating
400V	FR-ABR-H0.4K	TH-N20CXHZ-0.24A	110V 5AAC, 220V 2AAC(AC-11 class) 110V 0.5ADC, 220V 0.25ADC(DC-11 class)
	FR-ABR-H0.75K	TH-N20CXHZ-0.35A	
	FR-ABR-H2.2K	TH-N20CXHZ-0.9A	
	FR-ABR-H3.7K	TH-N20CXHZ-1.3A	
	FR-ABR-H5.5K	TH-N20CXHZ-2.1A	
	FR-ABR-H7.5K	TH-N20CXHZ-2.5A	
	FR-ABR-H11K	TH-N20CXHZ-6.6A	
	FR-ABR-H15K	TH-N20CXHZ-6.6A	
	FR-ABR-H22K	TH-N20-9A	



2.5.2 Connection of the brake unit (FR-BU/MT-BU5)

When connecting the brake unit (FR-BU(H)/MT-BU5) to improve the brake capability at deceleration, make connection as shown below.

(1) Connection with the FR-BU (01800 or less)



*1 Connect the inverter terminals (P/+, N/-) and brake unit (FR-BU (H)) terminals so that their terminal signals match with each other. (Incorrect connection will damage the inverter.)

*2 When the power supply is 400V class, install a step-down transformer.

*3 Be sure to remove a jumper across terminal PR-PX when using the FR-BU with the inverter of 00250 or less.

*4 The wiring distance between the inverter, brake unit (FR-BU) and resistor unit (FR-BR) should be within 5m. If twisted wires are used, the distance should be within 10m.

CAUTION

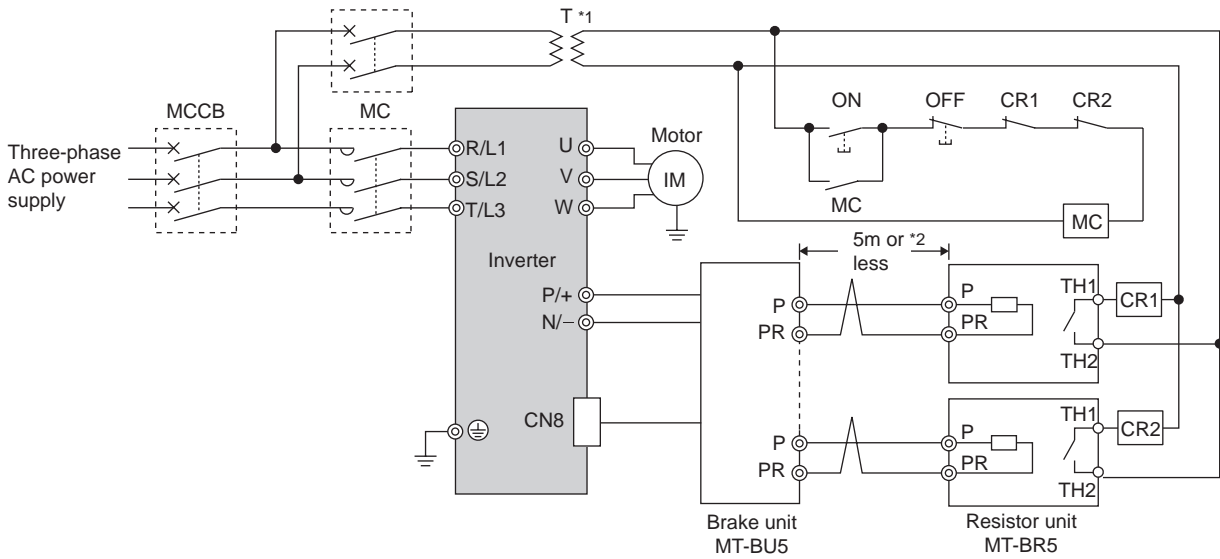
- If the transistors in the brake unit should become faulty, the resistor can be unusually hot, causing a fire. Therefore, install a magnetic contactor on the inverter's input side to configure a circuit so that a current is shut off in case of fault.

(2) Connection with the MT-BU5 (02160 or more)

After making sure that the MT-BU5 is properly connected, set the following parameters.

Pr. 30 Regenerative function selection = "1"

Pr. 70 Special regenerative brake duty = "10%" (Refer to page 195)



*1 When the power supply is 400V class, install a step-down transformer.

*2 The wiring length between the resistor unit and brake resistor should be 10m maximum when wires are twisted and 5m maximum when wires are not twisted.

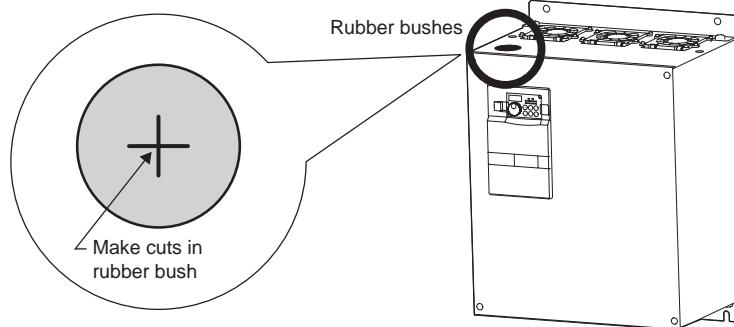
CAUTION

- Install the brake unit in a place where a cooling air reaches the brake unit heatsink and within a distance of the cable supplied with the brake unit reaches the inverter.
- For wiring of the brake unit and inverter, use an accessory cable supplied with the brake unit. Connect the main circuit cable to the inverter terminals P/+ and N/- and connect the control circuit cable to the CN8 connector inside by making cuts in the rubber bush at the top of the inverter for leading the cable.
- The brake unit which uses multiple resistor units has terminals equal to the number of resistor units. Connect one resistor unit to one pair of terminal (P, PR).

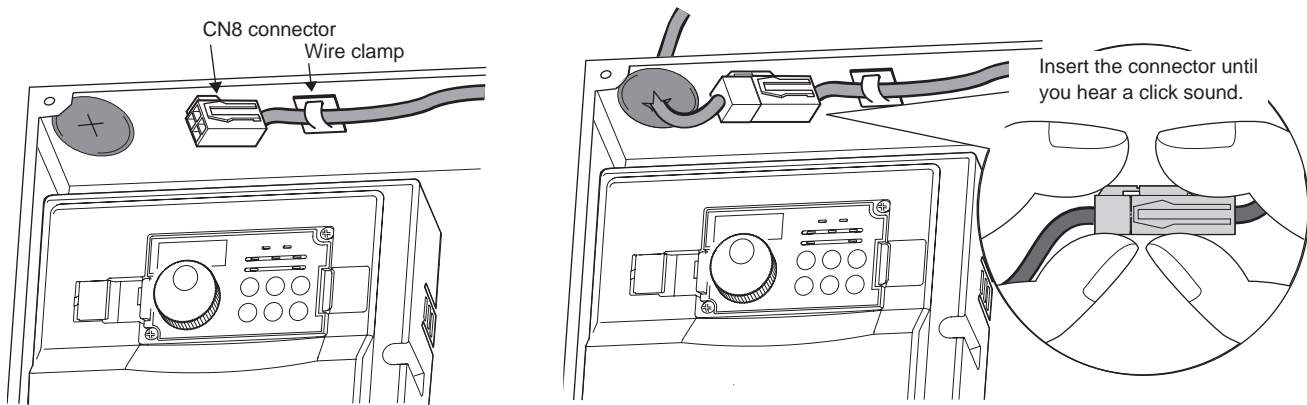
<Inserting the CN8 connector>

Make cuts in rubber bush of the upper portion of the inverter and lead a cable.

1) Make cuts in the rubber bush for leading the CN8 connector cable with a nipper or cutter knife.



2) Insert a connector on the MT-BU5 side through a rubber bush to connect to a connector on the inverter side.

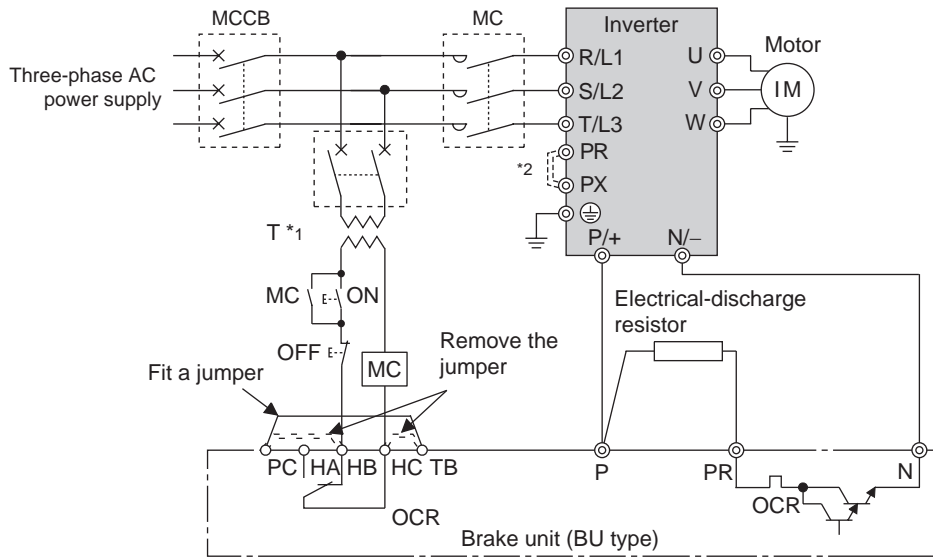


CAUTION

Clamp the CN8 connector cable on the inverter side with a wire clamp securely.
Do not connect the MT-BU5 to a CN8 connector of the FR-A740-01800.

2.5.3 Connection of the brake unit (BU type)

Connect the brake unit (BU type) correctly as shown below. Incorrect connection will damage the inverter. Remove the jumper across terminals HB-PC and terminals TB-HC of the brake unit and fit it to across terminals PC-TB.



- *1 When the power supply is 400V class, install a step-down transformer.
- *2 For capacity 00250 or less, remove the jumper across terminals PR-PX.

CAUTION

- The wiring distance between the inverter, brake unit and resistor unit should be within 2m. If twisted wires are used, the distance should be within 5m.
- If the transistors in the brake unit should become faulty, the resistor can be unusually hot, causing a fire. Therefore, install a magnetic contactor on the inverter's power supply side to configure a circuit so that a current is shut off in case of fault.

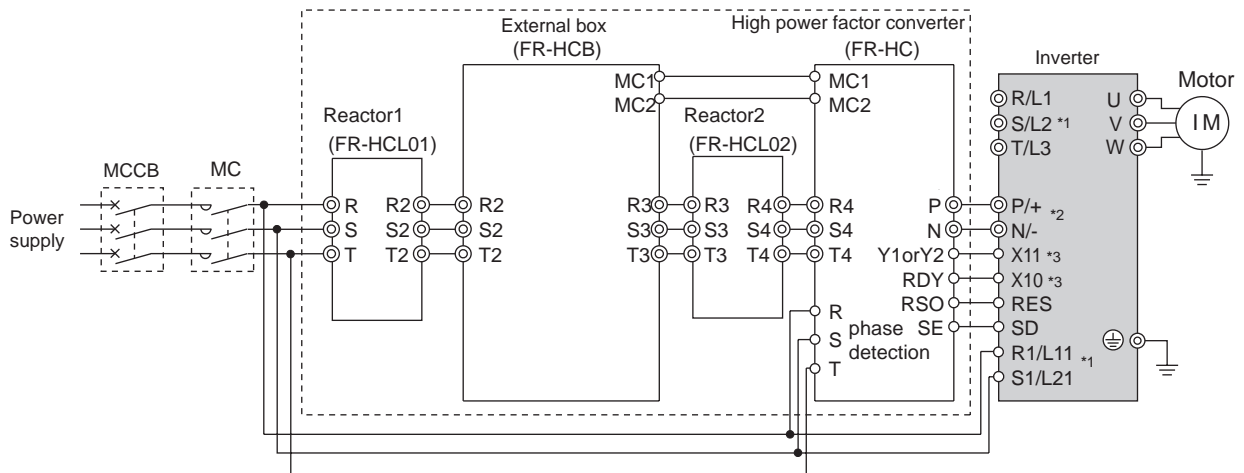
2.5.4 Connection of the high power factor converter (FR-HC/MT-HC)

When connecting the high power factor converter (FR-HC/MT-HC) to suppress power harmonics, perform wiring securely as shown below.

Incorrect connection will damage the high power factor converter and inverter.

After making sure that the wiring is correct, set "2" in Pr. 30 Regenerative function selection. (Refer to page 195.)

(1) Connection with the FR-HC (01800 or less)

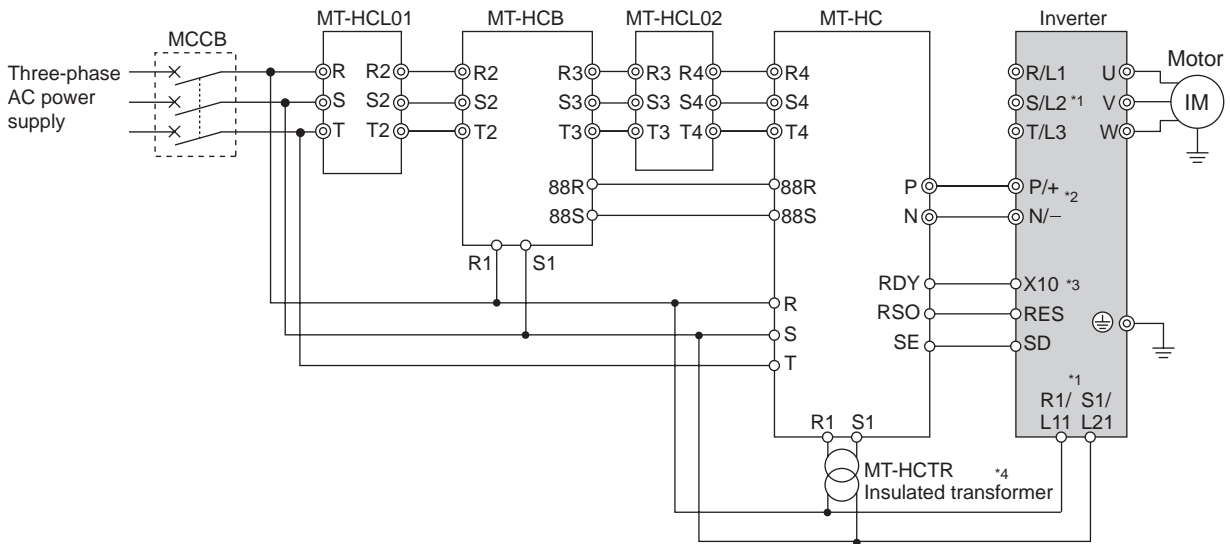


- *1 Remove the jumpers across the inverter terminals R/L1-R1/L11, S/L2-S1/L21, and connect the control circuit power supply to the R1/L11 and S1/L21 terminals. Always keep the power input terminals R/L1, S/L2, T/L3 open. Incorrect connection will damage the inverter. (E.OPT (option alarm) will occur. (Refer to page 395.))
- *2 Do not insert the MCCB between terminals P/+ - N/- (P/+ - P/+, N/- - N/-). Opposite polarity of terminals N/-, P/+ will damage the inverter.
- *3 Use Pr. 178 to Pr. 189 (input terminal function selection) to assign the terminals used for the X10 (X11) signal. (Refer to page 219.) For communication where the start command is sent only once, e.g. RS-485 communication operation, use the X11 signal when making setting to hold the mode at occurrence of an instantaneous power failure. (Refer to page 196.)

CAUTION

- The voltage phases of terminals R/L1, S/L2, T/L3 and terminals R4, S4, T4 must be matched.
- Use sink logic when the FR-HC is connected. The FR-HC cannot be connected when source logic (factory setting) is selected.

(2) Connection with the MT-HC (02160 or more)



- *1 Remove the jumper across terminals R/L1 - R1/L11, S/L2 - S1/L21 of the inverter, and connect the control circuit power supply to the R1/L11 and S1/L21 terminals. The power input terminals R/L1, S/L2, T/L3 must be open. Incorrect connection will damage the inverter. (E.OPT (option alarm) will occur. (Refer to page 395.)
- *2 Do not insert the MCCB between terminals P/+ - N/- (P - P/+, N - N/-). Opposite polarity of terminals N, P will damage the inverter.
- *3 Use Pr. 178 to Pr. 189 (input terminal function selection) to assign the terminals used for the X10 (X11) signal. (Refer to page 219.) For communication where the start command is sent only once, e.g. RS-485 communication operation, use the X11 signal when making setting to hold the mode at occurrence of an instantaneous power failure. (Refer to page 196.)
- *4 Connect the power supply to terminals R1 and S1 of the MT-HC via an insulated transformer.

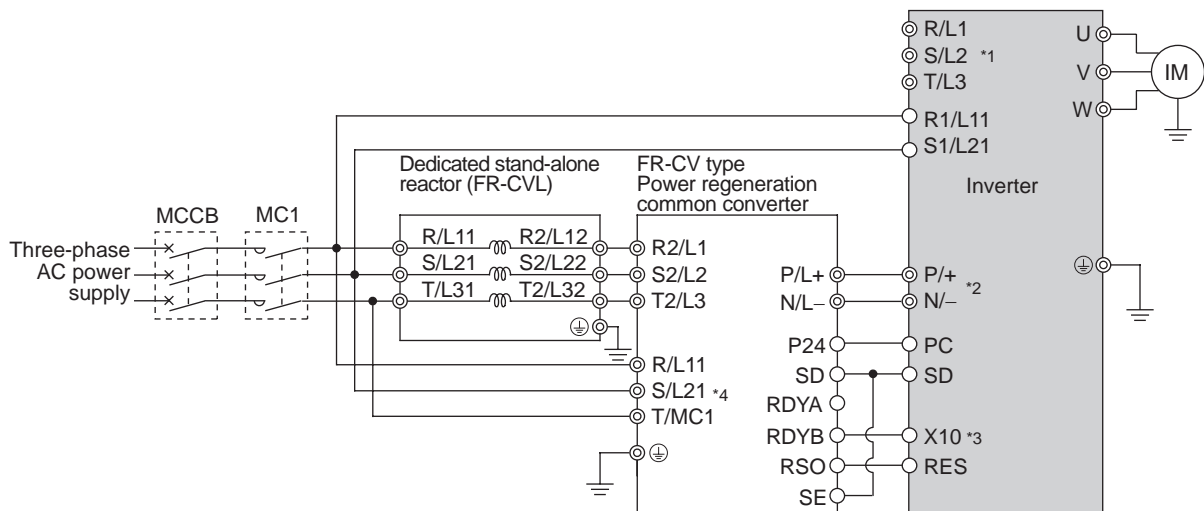
CAUTION

- The voltage phases of terminals R/L1, S/L2, T/L3 and terminals R4, S4, T4 must be matched.
- Use sink logic when the MT-HC is connected. The MT-HC cannot be connected when source logic (factory setting) is selected.
- When connecting the inverter to the MT-HC, do not connect the DC reactor provided to the inverter.

2.5.5 Connection of the power regeneration common converter (FR-CV) (01800 or less)

When connecting the power regeneration common converter (FR-CV), make connection so that the inverter terminals (P/+, N/-) and the terminal symbols of the power regeneration common converter (FR-CV) are the same.

After making sure that the wiring is correct, set "2" in Pr. 30 Regenerative function selection. (Refer to page 195.)



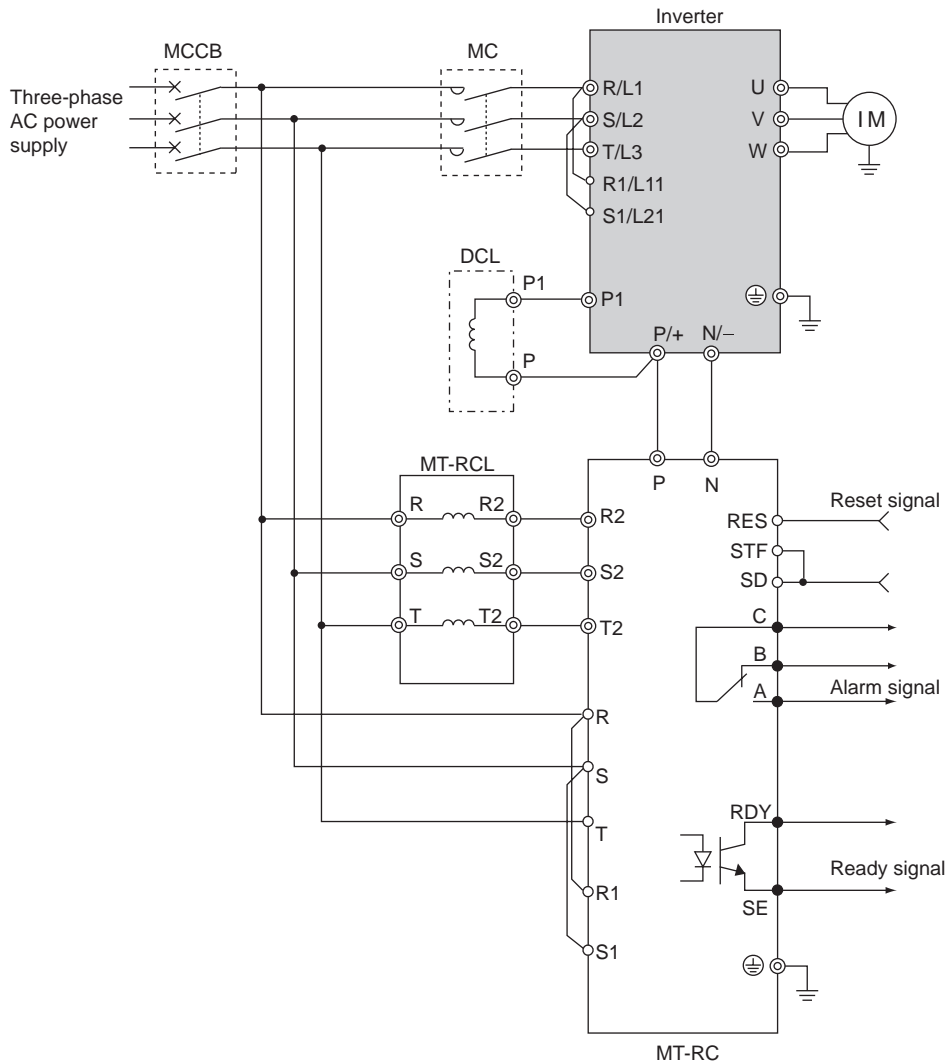
- *1 Remove the jumpers across terminals R/L1-R1/L11 and S/L2-S1/L21 of the inverter, and connect the control circuit power supply across terminals R1/L11-S1/L21. Always keep the power input terminals R/L1, S/L2, T/L3 open. Incorrect connection will damage the inverter. (E.OPT (option alarm) will occur. (Refer to page 395))
- *2 Do not insert an MCCB between the terminals P/+ – N/- (between P/L+ – P/+, between N/L- – N/-). Opposite polarity of terminals N/-, P/+ will damage the inverter.
- *3 Assign the terminal for X10 signal using any of Pr. 178 to Pr. 189 (input terminal function selection). (Refer to page 219)
- *4 Be sure to connect the power supply and terminals R/L11, S/L21, T/MC1. Operating the inverter without connecting them will damage the power regeneration common converter.

CAUTION

1. The voltage phases of terminals R/L11, S/L21, T/MC1 and terminals R2/L1, S2/L2, T2/L3 must be matched.
2. Use sink logic when the FR-CV is connected. The FR-CV cannot be connected when source logic (factory setting) is selected.

2.5.6 Connection of power regeneration converter (MT-RC) (02160 or more)

When connecting a power regeneration converter (MT-RC), perform wiring securely as shown below. Incorrect connection will damage the regeneration converter and inverter. After connecting securely, set "1" in Pr. 30 Regenerative function selection and "0" in Pr. 70 Special regenerative brake duty.



CAUTION

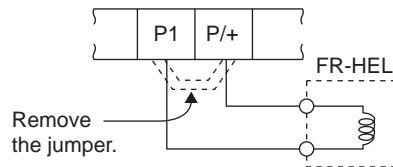
Refer to the MT-RC manual for precautions for connecting the power coordination reactor and others.

2.5.7 Connection of the power factor improving DC reactor (FR-HEL)

When using the DC reactor (FR-HEL), connect it between terminals P1-P/+.

For the 01160 or less, the jumper connected across terminals P1-P/+ must be removed. Otherwise, the reactor will not exhibit its performance.

For the 01800 or more, a DC reactor is supplied. Always install the reactor.



CAUTION

1. The wiring distance should be within 5m.
2. The size of the cables used should be equal to or larger than that of the power supply cables (R/L1, S/L2, T/L3). (Refer to page 18)

MEMO

3 PRECAUTIONS FOR USE OF THE INVERTER

This chapter explains the "PRECAUTIONS FOR USE OF THE INVERTER" for use of this product.

Always read the instructions before using the equipment

3.1	Noise and leakage currents.....	48
3.2	Installation of a reactor	53
3.3	Power-off and magnetic contactor (MC).....	54
3.4	Inverter-driven 400V class motor	55
3.5	Precautions for use of the inverter	56

1

2

3

4

5

6

7



3.1 Noise and leakage currents

3.1.1 Leakage currents and countermeasures

Capacitances exist between the inverter I/O cables, other cables and earth and in the motor, through which a leakage current flows. Since its value depends on the capacitances, carrier frequency, etc., low acoustic noise operation at the increased carrier frequency of the inverter will increase the leakage current. Therefore, take the following measures. Select the earth leakage breaker according to its rated sensitivity current, independently of the carrier frequency setting.

(1) To-earth (ground) leakage currents

Leakage currents may flow not only into the inverter's own line but also into the other lines through the earth (ground) cable, etc. These leakage currents may operate earth (ground) leakage circuit breakers and earth leakage relays unnecessarily.

● Countermeasures

- If the carrier frequency setting is high, decrease the *Pr. 72 PWM frequency selection* setting. Note that motor noise increases. Selecting *Pr. 240 Soft-PWM operation selection* makes the sound inoffensive.
- By using earth leakage circuit breakers designed for harmonic and surge suppression in the inverter's own line and other line, operation can be performed with the carrier frequency kept high (with low noise).

● To-earth (ground) leakage currents

- Take caution as long wiring will increase the leakage current. Decreasing the carrier frequency of the inverter reduces the leakage current.
- Increasing the motor capacity increases the leakage current.

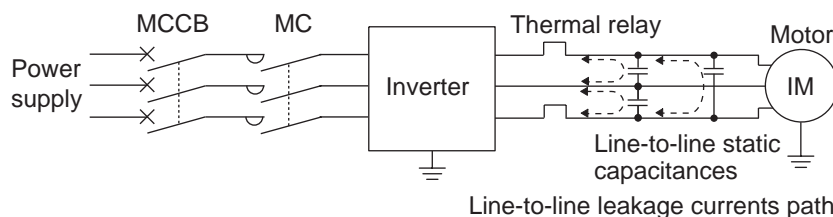
(2) Line-to-line leakage currents

Harmonics of leakage currents flowing in static capacities between the inverter output cables may operate the external thermal relay unnecessarily. When the wiring length is long (50m or more) small-capacity model (FR-A740-00250 or less), the external thermal relay is likely to operate unnecessarily because the ratio of the leakage current to the rated motor current increases.

● Line-to-line leakage current data example

Motor Capacity (kW)	Rated Motor Current(A)	Leakage Currents(mA)	
		Wiring length 50m	Wiring length 100m
0.4	1.1	620	1000
0.75	1.9	680	1060
1.5	3.5	740	1120
2.2	4.1	800	1180
3.7	6.4	880	1260
5.5	9.7	980	1360
7.5	12.8	1070	1450

- Dedicated motor SF-JR 4P
- Carrier frequency: 14.5kHz
- Used wire: 2mm², 4cores Cabtyre cable



● Countermeasures

- Use *Pr. 9 Electronic thermal O/L relay*.
- If the carrier frequency setting is high, decrease the *Pr. 72 PWM frequency selection* setting. Note that motor noise increases. Selecting *Pr. 240 Soft-PWM operation selection* makes the sound inoffensive. To ensure that the motor is protected against line-to-line leakage currents, it is recommended to use a temperature sensor to directly detect motor temperature.

● Installation and selection of moulded case circuit breaker

Install a moulded case circuit breaker (MCCB) on the power receiving side to protect the wiring of the inverter input side. Select the MCCB according to the inverter input side power factor (which depends on the power supply voltage, output frequency and load). Especially for a completely electromagnetic MCCB, one of a slightly large capacity must be selected since its operation characteristic varies with harmonic currents. (Check it in the data of the corresponding breaker.) As an earth (ground) leakage breaker, use the Mitsubishi earth (ground) leakage breaker designed for harmonics and surge suppression.



(3) Selection of rated sensitivity current of earth (ground) leakage breaker

When using the earth (ground) leakage circuit breaker with the inverter circuit, select its rated sensitivity current as follows, independently of the PWM carrier frequency:

- Breaker designed for harmonic and surge suppression

Rated sensitivity current:

$$I_{\Delta n} \geq 10 \times (I_{g1} + I_{gn} + I_{gi} + I_{g2} + I_{gm})$$

- Standard breaker

Rated sensitivity current:

$$I_{\Delta n} \geq 10 \times \{I_{g1} + I_{gn} + I_{gi} + 3 \times (I_{g2} + I_{gm})\}$$

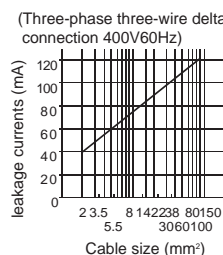
I_{g1} , I_{g2} : Leakage currents in wire path during commercial power supply operation

I_{gn} : Leakage current of inverter input side noise filter

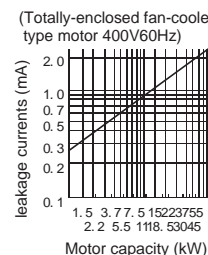
I_{gm} : Leakage current of motor during commercial power supply operation

I_{gi} : Leakage current of inverter unit

Example of leakage current per 1km during the commercial power supply operation when the CV cable is routed in metal conduit

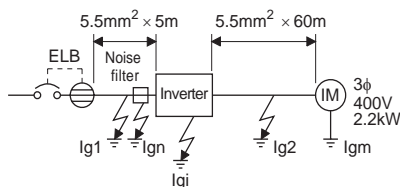


Leakage current example of three-phase induction motor during the commercial power supply operation



For "Δ" connection, the amount of leakage current is approx. 1/3 of the above value.

<Example>



	Breaker Designed for Harmonic and Surge Suppression	Standard Breaker
Leakage current I_{g1} (mA)	$\frac{1}{3} \times 66 \times \frac{5m}{1000m} = 0.11$	
Leakage current I_{gn} (mA)	0 (without noise filter)	
Leakage current I_{gi} (mA)	1 (without EMC filter) Refer to the following table for the leakage current of the inverter*	
Leakage current I_{g2} (mA)	$\frac{1}{3} \times 66 \times \frac{60m}{1000m} = 1.32$	
Motor leakage current I_{gm} (mA)		0.36
Total leakage current (mA)	2.79	6.15
Rated sensitivity current (mA) ($\geq I_g \times 10$)	30	100

* Refer to page 13 for the EMC filter.

● Inverter leakage current (with and without EMC filter)

Input power conditions

(400V class: 440V/60Hz, power supply unbalance within 3%)

	Voltage (V)	EMC Filter	
		ON (mA)	OFF (mA)
Phase grounding	400	30	1
Earthed-neutral system	400	1	1

CAUTION

- Install the earth leakage breaker (ELB) on the input side of the inverter.
- In the Δ connection earthed-neutral system, the sensitivity current is purified against an earth (ground) fault in the inverter output side. Earthing (Grounding) must conform to the requirements of national and local safety regulations and electrical codes. (JIS, NEC section 250, IEC 536 class 1 and other applicable standards)
- When the breaker is installed on the output side of the inverter, it may be unnecessarily operated by harmonics even if the effective value is less than the rating. In this case, do not install the breaker since the eddy current and hysteresis loss will increase, leading to temperature rise.
- The following models are standard breakers...BV-C1, BC-V, NVB, NV-L, NV-G2N, NV-G3NA and NV-2F earth leakage relay (except NV-ZHA), NV with AA neutral wire open-phase protection
The other models are designed for harmonic and surge suppression...NV-C/NV-S/MN series, NV30-FA, NV50-FA, BV-C2, earth leakage alarm breaker (NF-Z), NV-ZHA, NV-H



3.1.2 Inverter-generated noises and their reduction techniques

Some noises enter the inverter to malfunction it and others are radiated by the inverter to malfunction peripheral devices. Though the inverter is designed to be insusceptible to noises, it handles low-level signals, so it requires the following basic techniques. Also, since the inverter chops outputs at high carrier frequency, that could generate noises. If these noises cause peripheral devices to malfunction, measures should be taken to suppress noises. These techniques differ slightly depending on noise propagation paths.

1) Basic techniques

- Do not run the power cables (I/O cables) and signal cables of the inverter in parallel with each other and do not bundle them.
- Use twisted pair shielded cables for the detector connection and control signal cables, and connect the sheathes of the shield cables to terminal SD.
- Earth (Ground) the inverter, motor, etc. at one point.

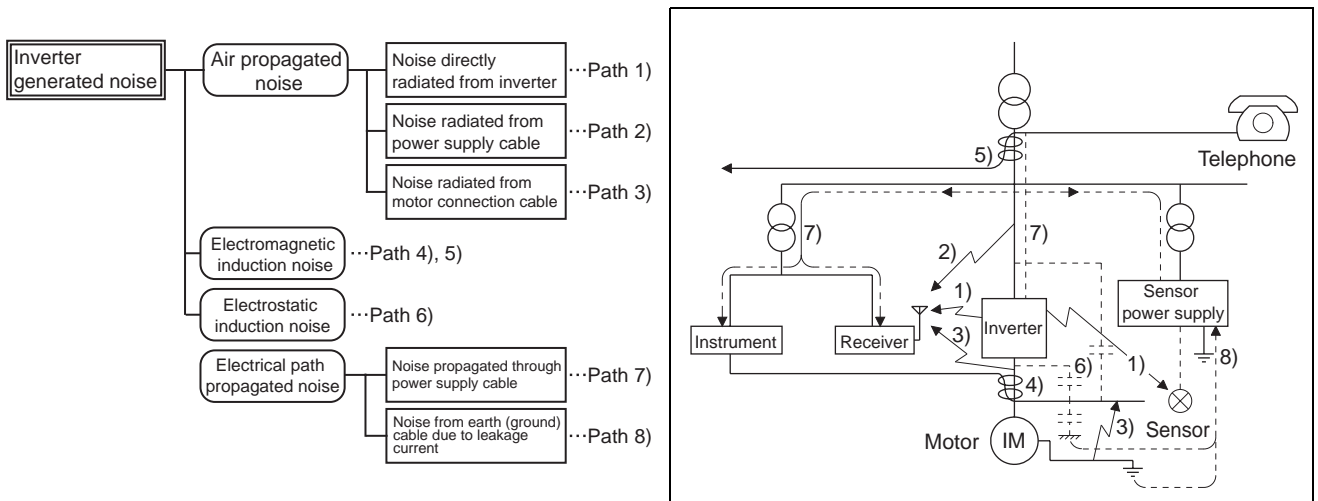
2) Techniques to reduce noises that enter and malfunction the inverter

When devices that generate many noises (which use magnetic contactors, magnetic brakes, many relays, for example) are installed near the inverter and the inverter may be malfunctioned by noises, the following measures must be taken:

- Provide surge suppressors for devices that generate many noises to suppress noises.
- Fit data line filters (*page 51*) to signal cables.
- Earth (Ground) the shields of the detector connection and control signal cables with cable clamp metal.

3) Techniques to reduce noises that are radiated by the inverter to malfunction peripheral devices

Inverter-generated noises are largely classified into those radiated by the cables connected to the inverter and inverter main circuits (I/O), those electromagnetically and electrostatically induced to the signal cables of the peripheral devices close to the main circuit power supply, and those transmitted through the power supply cables.

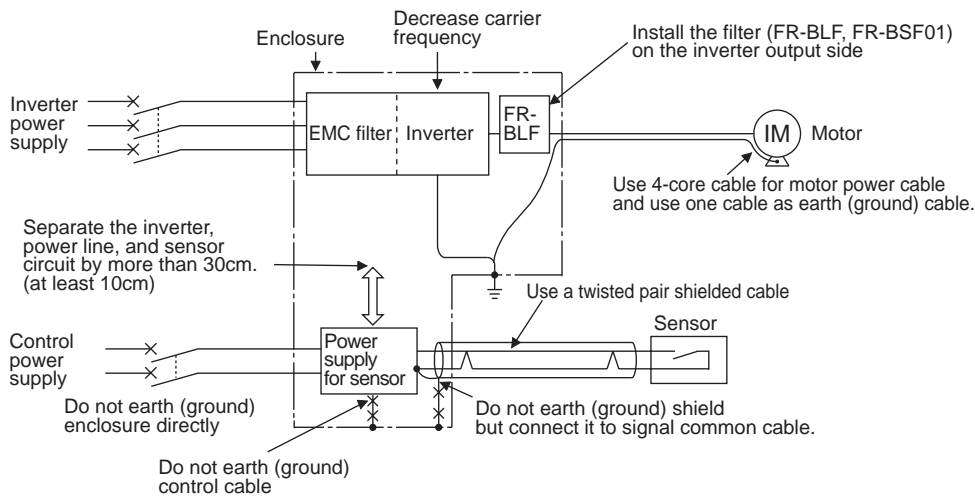


Noise Propagation Path	Measures
1) 2) 3)	<p>When devices that handle low-level signals and are liable to malfunction due to noises, e.g. instruments, receivers and sensors, are contained in the enclosure that contains the inverter or when their signal cables are run near the inverter, the devices may be malfunctioned by air-propagated noises. The following measures must be taken:</p> <ol style="list-style-type: none"> (1) Install easily affected devices as far away as possible from the inverter. (2) Run easily affected signal cables as far away as possible from the inverter and its I/O cables. (3) Do not run the signal cables and power cables (inverter I/O cables) in parallel with each other and do not bundle them. (4) Set the EMC filter ON/OFF connector of the inverter to the ON position. <i>(Refer to page 13)</i> (5) Inserting a line noise filter into the output suppresses the radiation noise from the cables. (6) Use shield cables as signal cables and power cables and run them in individual metal conduits to produce further effects.
4) 5) 6)	<p>When the signal cables are run in parallel with or bundled with the power cables, magnetic and static induction noises may be propagated to the signal cables to malfunction the devices and the following measures must be taken:</p> <ol style="list-style-type: none"> (1) Install easily affected devices as far away as possible from the inverter. (2) Run easily affected signal cables as far away as possible from the I/O cables of the inverter. (3) Do not run the signal cables and power cables (inverter I/O cables) in parallel with each other and do not bundle them. (4) Use shield cables as signal cables and power cables and run them in individual metal conduits to produce further effects.
7)	<p>When the power supplies of the peripheral devices are connected to the power supply of the inverter in the same line, inverter-generated noises may flow back through the power supply cables to malfunction the devices and the following measures must be taken:</p> <ol style="list-style-type: none"> (1) Set the EMC filter ON/OFF connector of the inverter to the ON position. <i>(Refer to page 13)</i> (2) Install the line noise filter (FR-BLF, FR-BSF01) to the power cables (I/O cables) of the inverter.
8)	<p>When a closed loop circuit is formed by connecting the peripheral device wiring to the inverter, leakage currents may flow through the earth (ground) cable of the inverter to malfunction the device. In such a case, disconnection of the earth (ground) cable of the device may cause the device to operate properly.</p>

● Data line filter

Noise entry can be prevented by providing a data line filter for the detector cable etc.

● Noise reduction examples





3.1.3 Power supply harmonics

The inverter may generate power supply harmonics from its converter circuit to affect the power generator, power capacitor etc. Power supply harmonics are different from noise and leakage currents in source, frequency band and transmission path. Take the following countermeasure suppression techniques.

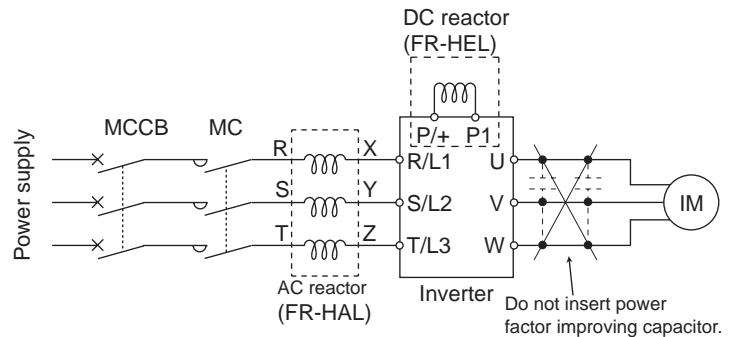
●The differences between harmonics and noises are indicated below:

Item	Harmonics	Noise
Frequency	Normally number 40 to 50 max. (3kHz or less)	High frequency (several 10kHz to 1GHz order)
Environment	To-electric channel, power impedance	To-space, distance, wiring path
Quantitative understanding	Theoretical calculation possible	Random occurrence, quantitative grasping difficult
Generated amount	Nearly proportional to load capacity	Depending on the current fluctuation ratio (larger as switching is faster)
Affected equipment immunity	Specified in standard per equipment	Different depending on maker's equipment specifications
Suppression example	Provide reactor.	Increase distance.

●Measures

The harmonic current generated from the inverter to the input side differs according to various conditions such as the wiring impedance, whether a reactor is used or not, and output frequency and output current on the load side.

For the output frequency and output current, we understand that they should be calculated in the conditions under the rated load at the maximum operating frequency.



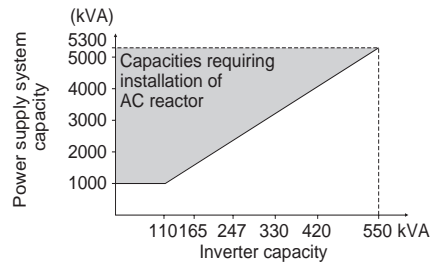
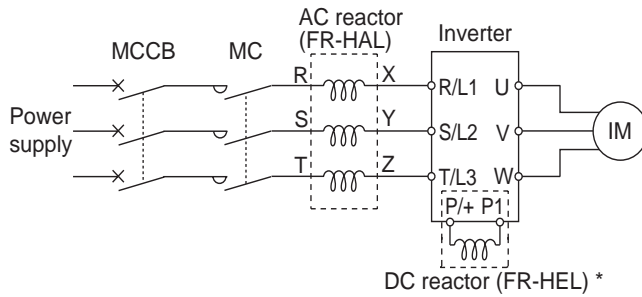
CAUTION

The power factor improving capacitor and surge suppressor on the inverter output side may be overheated or damaged by the harmonic components of the inverter output. Also, since an excessive current flows in the inverter to activate overcurrent protection, do not provide a capacitor and surge suppressor on the inverter output side when the motor is driven by the inverter. For power factor improvement, install a reactor on the inverter input side or in the DC circuit.



3.2 Installation of a reactor

When the inverter is connected near a large-capacity power transformer (1000kVA or more) or when a power capacitor is to be switched over, an excessive peak current may flow in the power input circuit, damaging the converter circuit. To prevent this, always install the optional AC reactor (FR-HAL)



* When connecting the FR-HEL to the 01160 or less, remove the jumper across terminals P/+ - P1. For the 01800 or more, a DC reactor is supplied. Always install the reactor. (Refer to page 14.)


REMARKS

The wiring length between the FR-HEL and inverter should be 5m maximum and minimized. Use the same wire size as that of the power supply wire (R/L1, S/L2, T/L3). (Refer to page 18)

3.3 Power-off and magnetic contactor (MC)

(1) Inverter input side magnetic contactor (MC)

On the inverter input side, it is recommended to provide an MC for the following purposes.

( Refer to *page 4* for selection.)

- 1) To release the inverter from the power supply when the inverter's protective function is activated or when the drive is not functioning (e.g. emergency stop operation). When cycle operation or heavy-duty operation is performed with an optional brake resistor connected, overheat and burnout of the electrical-discharge resistor can be prevented if a regenerative brake transistor is damaged due to insufficient heat capacity of the electrical-discharge resistor and excess regenerative brake duty.
- 2) To prevent any accident due to an automatic restart at restoration of power after an inverter stop made by a power failure
- 3) To reset the inverter for an extended period of time

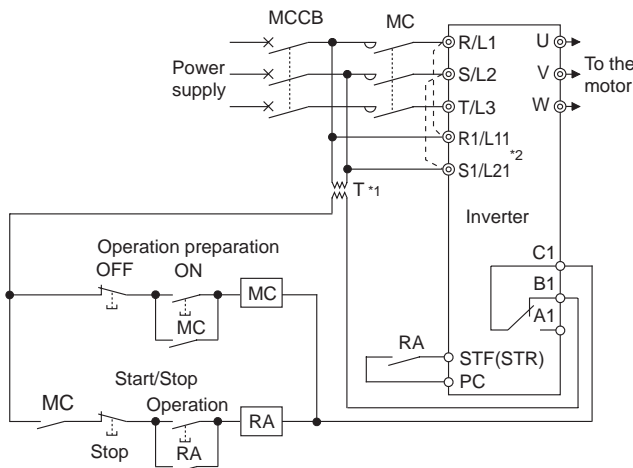
The control power supply for inverter is always running and consumes a little power. When stopping the inverter for an extended period of time, powering off the inverter will save power slightly.

- 4) To separate the inverter from the power supply to ensure safe maintenance and inspection work

The inverter's input side MC is used for the above purpose, select class JEM1038-AC3MC for the inverter input side current when making an emergency stop during normal operation.

REMARKS

Since repeated inrush currents at power on will shorten the life of the converter circuit (switching life is about 1,000,000 times.), frequent starts and stops of the MC must be avoided. Turn on/off the inverter start controlling terminals (STF, STR) to run/stop the inverter.



• Inverter start/stop circuit example

As shown on the left, always use the start signal (ON or OFF across terminals STF or STR-PC) to make a start or stop. (Refer to *page 224*)

- *1 When the power supply is 400V class, install a step-down transformer.
- *2 Connect the power supply terminals R1/L11, S1/L21 of the control circuit to the primary side of the MC to hold an alarm signal when the inverter's protective circuit is activated. At this time, remove jumpers across terminals R/L1-R1/L11 and S/L2-S1/L21. (Refer to *page 21* for removal of the jumper.)

(2) Handling of the inverter output side magnetic contactor

Switch the magnetic contactor between the inverter and motor only when both the inverter and motor are at a stop. When the magnetic contactor is turned on while the inverter is operating, overcurrent protection of the inverter and such will activate. When an MC is provided to switch to a commercial power supply, for example, it is recommended to use commercial power supply-inverter switchover operation *Pr. 135 to Pr. 139* (Refer to *page 351*).

3.4 Inverter-driven 400V class motor

In the PWM type inverter, a surge voltage attributable to wiring constants is generated at the motor terminals. Especially for a 400V class motor, the surge voltage may deteriorate the insulation. When the 400V class motor is driven by the inverter, consider the following measures:

●Measures

It is recommended to take either of the following measures:

- (1) Rectifying the motor insulation and limiting the PWM carrier frequency according to the wiring length
 For the 400V class motor, use an insulation-enhanced motor.
 Specifically,
 - 1)Specify the "400V class inverter-driven insulation-enhanced motor".
 - 2)For the dedicated motor such as the constant-torque motor and low-vibration motor, use the "inverter-driven, dedicated motor".
 - 3)Set *Pr. 72 PWM frequency selection* as indicated below according to the wiring length

	Wiring Length		
	50m or less	50m to 100m	exceeding 100m
<i>Pr. 72 PWM frequency selection</i>	15 (14.5kHz) or less	9 (9kHz) or less	4 (4kHz) or less

- (2) Suppressing the surge voltage on the inverter side
 Connect the surge voltage suppression filter (FR-ASF-H) to the 01800 or less and the sine wave filter (MT-BSL/BSC) to the 02160 or more on the inverter output side.

CAUTION

- For details of *Pr. 72 PWM frequency selection* , refer to page 268. (When using an option sine wave filter (MT-BSL/BSC) for the 02160 or more, set "25" (2.5kHz) in *Pr. 72.*)
- For explanation of surge voltage suppression filter (FR-ASF-H) and sine wave filter (MT-BSL/BSC), refer to the manual of each option.
- Do not perform vector control with a surge voltage suppression filter (FR-ASF-H) or sine wave filter (MT-BSL/BSC) connected.



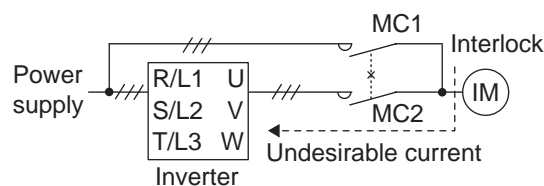
3.5 Precautions for use of the inverter

The FR-A700 series is a highly reliable product, but incorrect peripheral circuit making or operation/handling method may shorten the product life or damage the product.

Before starting operation, always recheck the following items.

- (1) Use crimping terminals with insulation sleeve to wire the power supply and motor.
- (2) Application of power to the output terminals (U, V, W) of the inverter will damage the inverter. Never perform such wiring.
- (3) After wiring, wire offcuts must not be left in the inverter.
Wire offcuts can cause an alarm, failure or malfunction. Always keep the inverter clean. When drilling mounting holes in an enclosure etc., take care not to allow chips and other foreign matter to enter the inverter.
- (4) Use cables of the size to make a voltage drop 2% maximum.
If the wiring distance is long between the inverter and motor, a main circuit cable voltage drop will cause the motor torque to decrease especially at the output of a low frequency.
Refer to *page 18* for the recommended cable sizes.
- (5) The overall wiring length should be 500m maximum.
(The wiring length should be 100m maximum for vector control.)
Especially for long distance wiring, the fast-response current limit function may be reduced or the equipment connected to the inverter output side may malfunction or become faulty under the influence of a charging current due to the stray capacity of the wiring. Therefore, note the overall wiring length. (*Refer to page 20.*)
- (6) Electromagnetic wave interference
The input/output (main circuit) of the inverter includes high frequency components, which may interfere with the communication devices (such as AM radios) used near the inverter. An EMC filter can minimize noise interference.
(*Refer to page 13*)
- (7) Do not install a power factor correction capacitor, surge suppressor or radio noise filter on the inverter output side.
This will cause the inverter to trip or the capacitor, and surge suppressor to be damaged. If any of the above devices is installed, immediately remove it.
- (8) Before starting wiring or other work after the inverter is operated, wait for at least 10 minutes after the power supply has been switched off, and check that there are no residual voltage using a tester or the like. The capacitor is charged with high voltage for some time after power off and it is dangerous.
- (9) A short circuit or earth (ground) fault on the inverter output side may damage the inverter modules.
 - Fully check the insulation resistance of the circuit prior to inverter operation since repeated short circuits caused by peripheral circuit inadequacy or an earth (ground) fault caused by wiring inadequacy or reduced motor insulation resistance may damage the inverter modules.
 - Fully check the to-earth (ground) insulation and inter-phase insulation of the inverter output side before power-on. Especially for an old motor or use in hostile atmosphere, securely check the motor insulation resistance etc.
- (10) Do not use the inverter input side magnetic contactor to start/stop the inverter.
Always use the start signal (ON/OFF of STF and STR signals) to start/stop the inverter. (*Refer to page 54*)
- (11) Across P/+ and PR terminals, connect only an external regenerative brake discharge resistor.
Do not connect a mechanical brake.
- (12) Do not apply a voltage higher than the permissible voltage to the inverter I/O signal circuits.
Contact to the inverter I/O signal circuits or opposite polarity may damage the I/O devices. Especially check the wiring to prevent the speed setting potentiometer from being connected incorrectly to short terminals 10E-5.

- (13) Provide electrical and mechanical interlocks for MC1 and MC2 which are used for electronic bypass.
When the wiring is incorrect or if there is an electronic bypass circuit as shown on the right, the inverter will be damaged by leakage current from the power supply due to arcs generated at the time of switch-over or chattering caused by a sequence error.
(Commercial operation can not be performed with the vector dedicated motor (SF-V5RU, SF-THY).)



- (14) If the machine must not be restarted when power is restored after a power failure, provide a magnetic contactor in the inverter's input side and also make up a sequence which will not switch on the start signal.
If the start signal (start switch) remains on after a power failure, the inverter will automatically restart as soon as the power is restored.
- (15) Instructions for overload operation
When performing an operation of frequent start/stop with the inverter, rise/fall in the temperature of the transistor element of the inverter will repeat due to a continuous flow of large current, shortening the life from thermal fatigue. Since thermal fatigue is related to the amount of current, the life can be increased by reducing current at locked condition, starting current, etc. Decreasing current may increase the life. However, decreasing current will result in insufficient torque and the inverter may not start. Therefore, choose the inverter which has enough allowance for current (up to 2 rank larger in capacity).
- (16) Make sure that the specifications and rating match the system requirements.
- (17) A motor with encoder is necessary for vector control. In addition, connect the encoder directly to the backlash-free motor shaft. (An encoder is not necessary for real sensorless vector control.)

MEMO

4 PARAMETERS

This chapter explains the "PARAMETERS" for use of this product.

Always read this instructions before use.

The abbreviations in the explanations below are as follows:

V/F ...V/F control,

Magnetic flux ...Advanced magnetic flux vector control,

Sensorless ...Real sensorless vector control

Vector ...Vector control

1

2

3

4

5

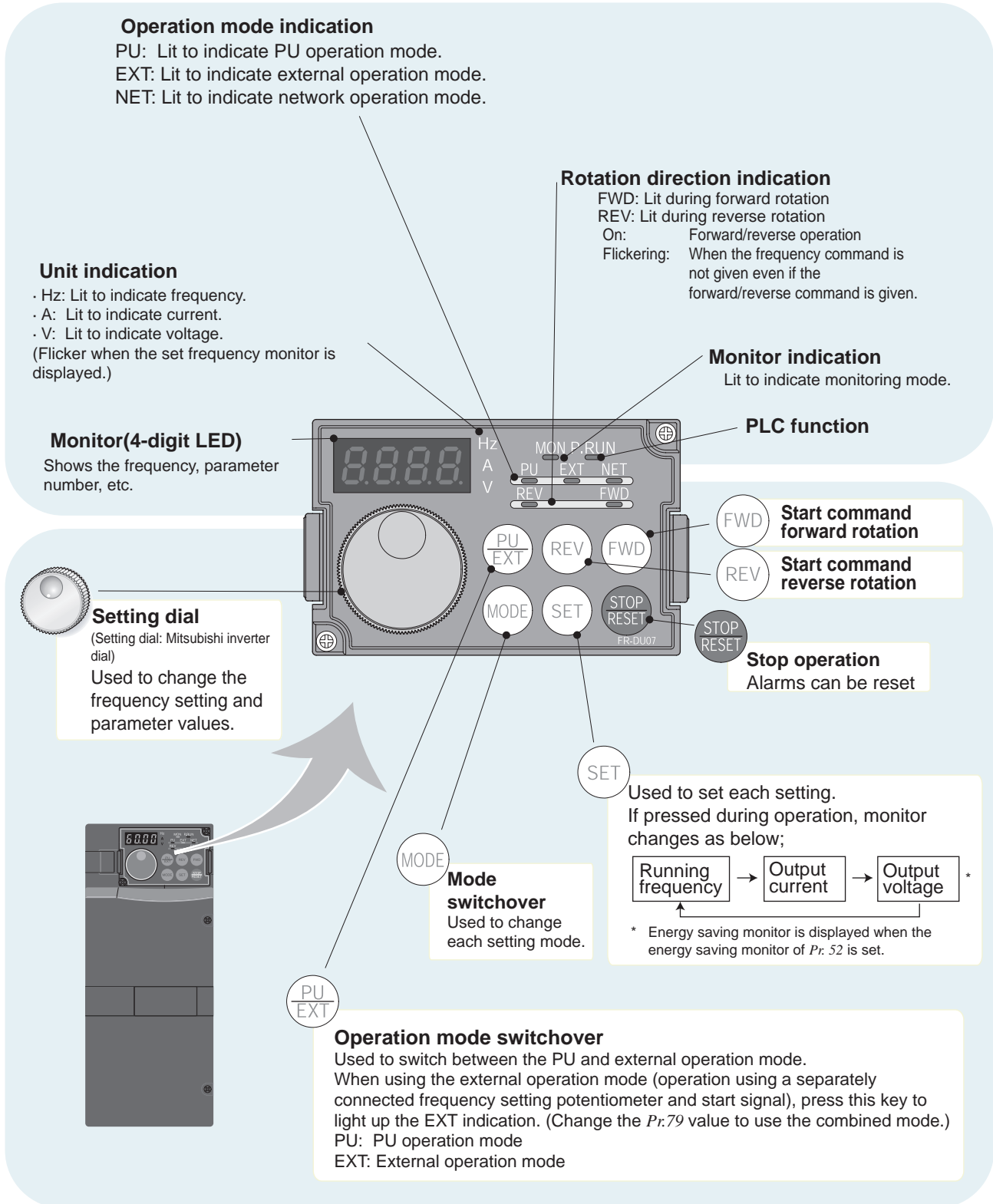
6

7



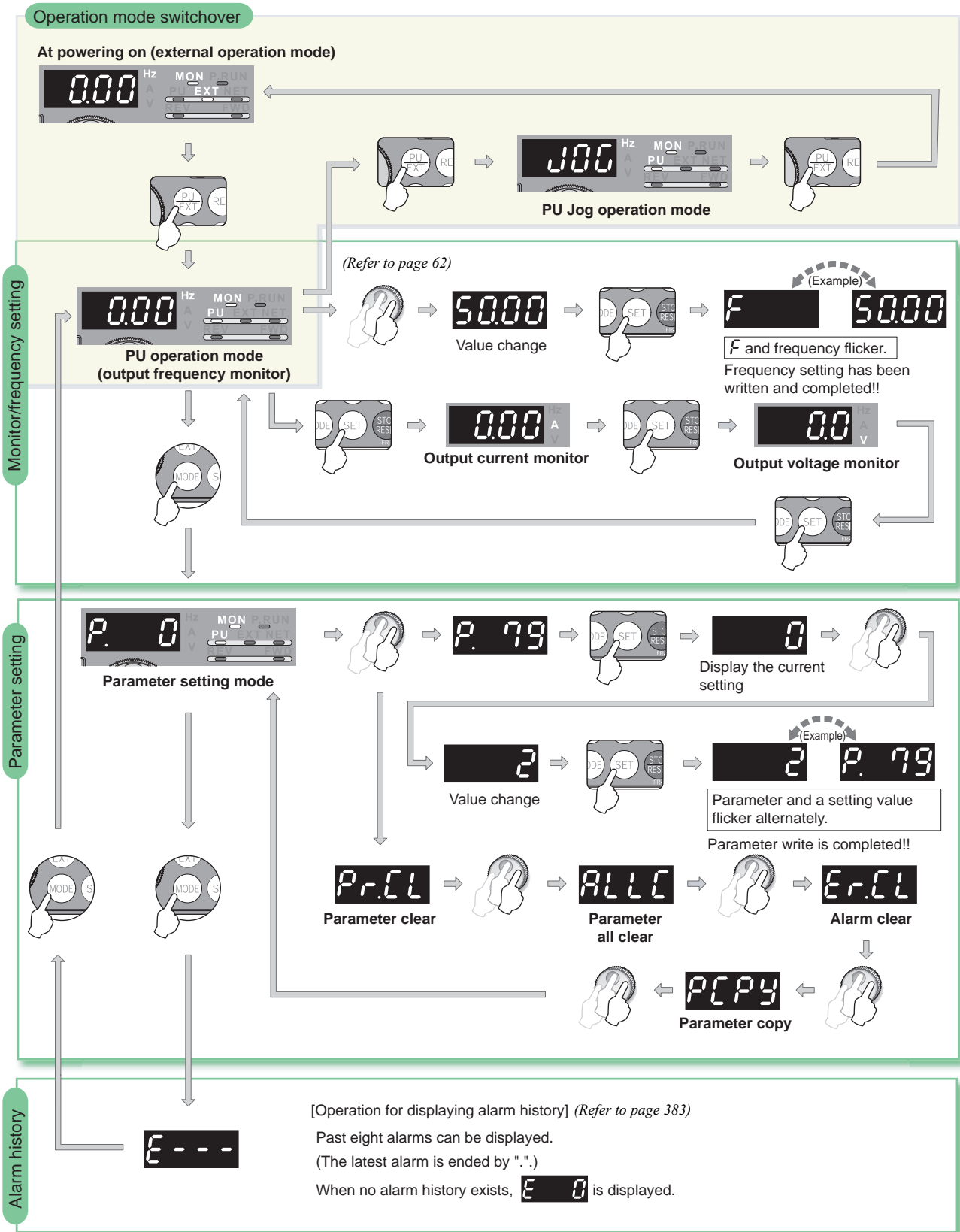
4.1 Operation panel (FR-DU07)

4.1.1 Parts of the operation panel (FR-DU07)





4.1.2 Basic operation (factory setting)





4.1.3 Change the parameter setting value

Changing example Change the Pr. 1 Maximum frequency .

Operation	Display
1. Screen at powering on The monitor display appears.	
2. Press to choose the PU operation mode.	PU indication is lit.
3. Press to choose the parameter setting mode.	(The parameter number read previously appears.)
4. Turn until P. 1 (Pr. 1) appears.	
5. Press to read the currently set value. " 1200 " (initial value) appears.	
6. Turn to change it to the set value of "5000".	
7. Press to set.	

Flicker ... Parameter setting complete!!

- By turning , you can read another parameter.
- Press to show the setting again.
- Press twice to show the next parameter.
- Press twice to return the monitor to frequency monitor.

? **Er1** to **Er4** are displayed ... Why?

- Er1 appears. Write disable error
- Er2 appears. Write error during operation
- Er3 appears. Calibration error
- Er4 appears. Mode designation error

For details refer to *page 388*.

4.1.4 Setting dial push

Push the setting dial () to display the set frequency currently set.

4.2 Parameter List

4.2.1 Parameter list

For simple variable-speed operation of the inverter, the initial setting of the parameters may be used as they are. Set the necessary parameters to meet the load and operational specifications. Parameter setting, change and check can be made from the operation panel (FR-DU07).

REMARKS

- ⊙ indicates simple mode parameters. (initially set to extended mode)
- The shaded parameters in the table allow its setting to be changed during operation even if "0" (initial value) is set in *Pr. 77 Parameter write selection*.
- Refer to the appendix 4 (*page 438*) for instruction codes for communication and availability of parameter clear, all clear, and parameter copy of each parameter.

Function	Parameter	Name	Setting Range	Minimum Setting Increments	Initial Value	Refer to Page	Customer Setting
Basic functions	⊙ 0	Torque boost	0 to 30%	0.1%	6/4/3/2/1% *1	136	
	⊙ 1	Maximum frequency	0 to 120Hz	0.01Hz	120/60Hz *2	149	
	⊙ 2	Minimum frequency	0 to 120Hz	0.01Hz	0Hz	149	
	⊙ 3	Base frequency	0 to 400Hz	0.01Hz	50Hz	151	
	⊙ 4	Multi-speed setting (high speed)	0 to 400Hz	0.01Hz	50Hz	158	
	⊙ 5	Multi-speed setting (middle speed)	0 to 400Hz	0.01Hz	30Hz	158	
	⊙ 6	Multi-speed setting (low speed)	0 to 400Hz	0.01Hz	10Hz	158	
	⊙ 7	Acceleration time	0 to 3600/360s	0.1/0.01s	5/15s *3	165	
	⊙ 8	Deceleration time	0 to 3600/360s	0.1/0.01s	5/15s *3	165	
DC injection brake	⊙ 9	Electronic thermal O/L relay	0 to 500/0 to 3600A *2	0.01/0.1A *2	Inverter rated output current	173	
	10	DC injection brake operation frequency	0 to 120Hz, 9999	0.01Hz	3Hz	191	
	11	DC injection brake operation time	0 to 10s, 8888	0.1s	0.5s	191	
Jog operation	12	DC injection brake operation voltage	0 to 30%	0.1%	4/2/1%*4	191	
	13	Starting frequency	0 to 60Hz	0.01Hz	0.5Hz	167	
Jog operation	14	Load pattern selection	0 to 5	1	0	153	
	15	Jog frequency	0 to 400Hz	0.01Hz	5Hz	160	
Jog operation	16	Jog acceleration/deceleration time	0 to 3600/360s	0.1/0.01s	0.5s	160	
	17	MRS input selection	0, 2, 4	1	0	222	
Acceleration/deceleration times	18	High speed maximum frequency	120 to 400Hz	0.01Hz	120/60Hz *2	149	
	19	Base frequency voltage	0 to 1000V, 8888, 9999	0.1V	8888	151	
Acceleration/deceleration times	20	Acceleration/deceleration reference frequency	1 to 400Hz	0.01Hz	50Hz	165	
	21	Acceleration/deceleration time increments	0, 1	1	0	165	
Stall prevention	22	Stall prevention operation level (torque limit level)	0 to 400%	0.1%	150%	142	
	23	Stall prevention operation level compensation factor at double speed	0 to 200%, 9999	0.1%	9999	142	
Multi-speed setting	24 to 27	Multi-speed setting(4 speed to 7 speed)	0 to 400Hz, 9999	0.01Hz	9999	158	
Multi-speed setting	28	Multi-speed input compensation selection	0, 1	1	0	162	
	29	Acceleration/deceleration pattern selection	0 to 5	1	0	168	
Frequency jump	30	Regenerative function selection	0, 1, 2, 10, 11, 20, 21	1	0	195	
	31	Frequency jump 1A	0 to 400Hz, 9999	0.01Hz	9999	150	
	32	Frequency jump 1B	0 to 400Hz, 9999	0.01Hz	9999	150	
	33	Frequency jump 2A	0 to 400Hz, 9999	0.01Hz	9999	150	
	34	Frequency jump 2B	0 to 400Hz, 9999	0.01Hz	9999	150	
	35	Frequency jump 3A	0 to 400Hz, 9999	0.01Hz	9999	150	
Frequency jump	36	Frequency jump 3B	0 to 400Hz, 9999	0.01Hz	9999	150	
	37	Speed display	0, 1 to 9998	1	0	238	



Function	Parameter	Name	Setting Range	Minimum Setting Increments	Initial Value	Refer to Page	Customer Setting
Frequency detection	41	Up-to-frequency sensitivity	0 to 100%	0.1%	10%	233	
	42	Output frequency detection	0 to 400Hz	0.01Hz	6Hz	233	
	43	Output frequency detection for reverse rotation	0 to 400Hz, 9999	0.01Hz	9999	233	
Second functions	44	Second acceleration/deceleration time	0 to 3600/360s	0.1/0.01s	5s	165	
	45	Second deceleration time	0 to 3600/360s, 9999	0.1/0.01s	9999	165	
	46	Second torque boost	0 to 30%, 9999	0.1%	9999	136	
	47	Second V/F (base frequency)	0 to 400Hz, 9999	0.01Hz	9999	151	
	48	Second stall prevention operation current	0 to 220%	0.1%	150%	142	
	49	Second stall prevention operation frequency	0 to 400Hz, 9999	0.01Hz	0Hz	142	
	50	Second output frequency detection	0 to 400Hz	0.01Hz	30Hz	233	
	51	Second electronic thermal O/L relay	0 to 500A, 9999/ 0 to 3600A, 9999 ^{∗2}	0.01/0.1A ^{∗2}	9999	173	
Monitor functions	52	DU/PU main display data selection	0, 5 to 14, 17 to 20, 22 to 25, 32 to 35, 50 to 57, 100	1	0	240	
	54	CA terminal function selection	1 to 3, 5 to 14, 17, 18, 21, 24, 32 to 34, 50, 52, 53, 70	1	1	240	
	55	Frequency monitoring reference	0 to 400Hz	0.01Hz	50Hz	245	
	56	Current monitoring reference	0 to 500/0 to 3600A ^{∗2}	0.01/0.1A ^{∗2}	Inverter rated output current	245	
Automatic restart	57	Restart coasting time	0, 0.1 to 5s, 9999/ 0, 0.1 to 30s, 9999 ^{∗2}	0.1s	9999	250	
	58	Restart cushion time	0 to 60s	0.1s	1s	250	
—	59	Remote function selection	0, 1, 2, 3	1	0	162	
—	60	Energy saving control selection	0, 4	1	0	262	
Automatic acceleration/ deceleration	61	Reference current	0 to 500A, 9999/ 0 to 3600A, 9999 ^{∗2}	0.01A/0.1A ^{∗2}	9999	155, 171	
	62	Reference value at acceleration	0 to 220%, 9999	0.1%	9999	171	
	63	Reference value at dceleration	0 to 220%, 9999	0.1%	9999	171	
	64	Starting frequency for elevator mode	0 to 10Hz, 9999	0.01Hz	9999	155	
—	65	Retry selection	0 to 5	1	0	257	
—	66	Stall prevention operation reduction starting frequency	0 to 400Hz	0.01Hz	50Hz	142	
Retry	67	Number of retries at alarm occurrence	0 to 10, 101 to 110	1	0	257	
	68	Retry waiting time	0 to 10s	0.1s	1s	257	
	69	Retry count display erase	0	1	0	257	
—	70	Special regenerative brake duty	0 to 30%/0 to 10% ^{∗2}	0.1%	0%	195	
—	71	Applied motor	0 to 8, 13 to 18, 20, 23, 24, 30, 33, 34, 40, 43, 44, 50, 53, 54	1	0	138, 176	
—	72	PWM frequency selection	0 to 15/0 to 6, 25 ^{∗2}	1	2	268	
—	73	Analog input selection	0 to 7, 10 to 17	1	1	274	
—	74	Input filter time constant	0 to 8	1	1	276	
—	75	Reset selection/disconnected PU detection/PU stop selection	0 to 3, 14 to 17, 100 to 103, 114 to 117	1	14	289	
—	76	Alarm code output selection	0, 1, 2	1	0	259	
—	77	Parameter write selection	0, 1, 2	1	0	292	
—	78	Reverse rotation prevention selection	0, 1, 2	1	0	293	



Function	Parameter	Name	Setting Range	Minimum Setting Increments	Initial Value	Refer to Page	Customer Setting
—	Ⓒ 79	Operation mode selection	0, 1, 2, 3, 4, 6, 7	1	0	295	
Motor constants	80	Motor capacity	0.4 to 55kW, 9999/ 0 to 3600kW, 9999 *2	0.01/0.1kW *2	9999	138, 178	
	81	Number of motor poles	2, 4, 6, 8, 10, 12, 14, 16, 18, 20, 9999	1	9999	138, 178	
	82	Motor excitation current	0 to 500A, 9999/ 0 to 3600A, 9999 *2	0.01/0.1A *2	9999	178	
	83	Motor rated voltage	0 to 1000V	0.1V	400V	178	
	84	Rated motor frequency	10 to 120Hz	0.01Hz	50Hz	178	
	89	Speed control gain (magnetic flux vector)	0 to 200%, 9999	0.1%	9999	138	
	90	Motor constant (R1)	0 to 50Ω, 9999/ 0 to 400mΩ, 9999 *2	0.001Ω/ 0.01mΩ *2	9999	178	
	91	Motor constant (R2)	0 to 50Ω, 9999/ 0 to 400mΩ, 9999 *2	0.001Ω/ 0.01mΩ *2	9999	178	
	92	Motor constant (L1)	0 to 50Ω (0 to 1000mH), 9999/ 0 to 3600mΩ (0 to 400mH), 9999 *2	0.001Ω (0.1mH)/ 0.01mΩ(0.01mH) *2	9999	178	
	93	Motor constant (L2)	0 to 50Ω (0 to 1000mH), 9999/ 0 to 3600mΩ (0 to 400mH), 9999 *2	0.001Ω (0.1mH)/ 0.01mΩ(0.01mH) *2	9999	178	
	94	Motor constant (X)	0 to 500Ω (0 to 100%), 9999/ 0 to 100Ω (0 to 100%), 9999 *2	0.01Ω (0.1%)/ 0.01Ω (0.01%) *2	9999	178	
	95	Online auto tuning selection	0 to 2	1	0	188	
	96	Auto tuning setting/status	0, 1, 101	1	0	178	
	Adjustable 5 points V/F	100	V/F1(first frequency)	0 to 400Hz, 9999	0.01Hz	9999	157
101		V/F1(first frequency voltage)	0 to 1,000V	0.1V	0V	157	
102		V/F2(second frequency)	0 to 400Hz, 9999	0.01Hz	9999	157	
103		V/F2(second frequency voltage)	0 to 1,000V	0.1V	0V	157	
104		V/F3(third frequency)	0 to 400Hz, 9999	0.01Hz	9999	157	
105		V/F3(third frequency voltage)	0 to 1,000V	0.1V	0V	157	
106		V/F4(fourth frequency)	0 to 400Hz, 9999	0.01Hz	9999	157	
107		V/F4(fourth frequency voltage)	0 to 1,000V	0.1V	0V	157	
108		V/F5(fifth frequency)	0 to 400Hz, 9999	0.01Hz	9999	157	
109	V/F5(fifth frequency voltage)	0 to 1,000V	0.1V	0V	157		
Third functions	110	Third acceleration/deceleration time	0 to 3600/360s, 9999	0.1/0.01s	9999	165	
	111	Third deceleration time	0 to 3600/360s, 9999	0.1/0.01s	9999	165	
	112	Third torque boost	0 to 30%, 9999	0.1%	9999	136	
	113	Third V/F (base frequency)	0 to 400Hz, 9999	0.01Hz	9999	151	
	114	Third stall prevention operation current	0 to 220%	0.1%	150%	142	
	115	Thrid stall prevention operation frequency	0 to 400Hz	0.01Hz	0	142	
	116	Third output frequency detection	0 to 400Hz	0.01Hz	50Hz	233	
PU connector communication	117	PU communication station number	0 to 31	1	0	314	
	118	PU communication speed	48, 96, 192, 384	1	192	314	
	119	PU communication stop bit length	0, 1, 10, 11	1	1	314	
	120	PU communication parity check	0, 1, 2	1	2	314	
	121	Number of PU communication retries	0 to 10, 9999	1	1	314	
	122	PU communication check time interval	0, 0.1 to 999.8s, 9999	0.1s	9999	314	
	123	PU communication waiting time setting	0 to 150ms, 9999	1	9999	314	
	124	PU communication CR/LF presence/absence selection	0, 1, 2	1	1	314	
—	Ⓒ 125	Terminal 2 frequency setting gain frequency	0 to 400Hz	0.01Hz	50Hz	277	
—	Ⓒ 126	Terminal 4 frequency setting gain frequency	0 to 400Hz	0.01Hz	50Hz	277	



Function	Parameter	Name	Setting Range	Minimum Setting Increments	Initial Value	Refer to Page	Customer Setting
PID operation	127	PID control automatic switchover frequency	0 to 400Hz, 9999	0.01Hz	9999	343	
	128	PID action selection	10, 11, 20, 21, 50, 51, 60, 61, 70, 71, 80, 81, 90, 91, 100, 101	1	10	343	
	129	PID proportional band	0.1 to 1000%, 9999	0.1%	100%	343	
	130	PID integral time	0.1 to 3600s, 9999	0.1s	1s	343	
	131	PID upper limit	0 to 100%, 9999	0.1%	9999	343	
	132	PID lower limit	0 to 100%, 9999	0.1%	9999	343	
	133	PID action set point	0 to 100%, 9999	0.01%	9999	343	
	134	PID differential time	0.01 to 10.00s, 9999	0.01s	9999	343	
Electronic bypass	135	Electronic bypass sequence selection	0, 1	1	0	351	
	136	MC switchover interlock time	0 to 100s	0.1s	1s	351	
	137	Start waiting time	0 to 100s	0.1s	0.5s	351	
	138	Bypass selection at an alarm	0, 1	1	0	351	
	139	Automatic switchover frequency from inverter to bypass operation	0 to 60Hz, 9999	0.01Hz	9999	351	
Backlash measures	140	Backlash acceleration stopping frequency	0 to 400Hz	0.01Hz	1Hz	168	
	141	Backlash acceleration stopping time	0 to 360s	0.1s	0.5s	168	
	142	Backlash deceleration stopping frequency	0 to 400Hz	0.01Hz	1Hz	168	
	143	Backlash deceleration stopping time	0 to 360s	0.1s	0.5s	168	
—	144	Speed setting switchover	0, 2, 4, 6, 8, 10, 102, 104, 106, 108, 110	1	4	238	
PU	145	PU display language selection	0 to 7	1	1	375	
Current detection	148	Stall prevention level at 0V input	0 to 220%	0.1%	150%	142	
	149	Stall prevention level at 10V input	0 to 220%	0.1%	200%	142	
	150	Output current detection level	0 to 220%	0.1%	150%	235	
	151	Output current detection signal delay time	0 to 10s	0.1s	0s	235	
	152	Zero current detection level	0 to 220%	0.1%	5%	235	
	153	Zero current detection time	0 to 1s	0.01s	0.5s	235	
—	154	Voltage reduction selection during stall prevention operation	0, 1	1	1	142	
—	155	RT signal function validity condition selection	0, 10	1	0	223	
—	156	Stall prevention operation selection	0 to 31, 100, 101	1	0	142	
—	157	OL signal output timer	0 to 25s, 9999	0.1s	0s	142	
—	158	AM terminal function selection	1 to 3, 5 to 14, 17, 18, 21, 24, 32 to 34, 50, 52, 53, 70	1	1	240	
—	159	Automatic switchover frequency range from bypass to inverter operation	0 to 10Hz, 9999	0.01Hz	9999	351	
—	© 160	User group read selection	0, 1, 9999	1	0	293	
—	161	Frequency setting/key lock operation selection	0, 1, 10, 11	1	0	375	
Automatic restart functions	162	Automatic restart after instantaneous power failure selection	0, 1, 2, 10, 11, 12	1	0	250	
	163	First cushion time for restart	0 to 20s	0.1s	0s	250	
	164	First cushion voltage for restart	0 to 100%	0.1%	0%	250	
	165	Stall prevention operation level for restart	0 to 220%	0.1%	150%	250	
Current detection	166	Output current detection signal retention time	0 to 10s, 9999	0.1s	0.1s	235	
	167	Output current detection operation selection	0, 1	1	0	235	



Function	Parameter	Name	Setting Range	Minimum Setting Increments	Initial Value	Refer to Page	Customer Setting
—	168	Parameter for manufacturer setting. Do not set.					
—	169						
Cumulative monitor clear	170	Watt-hour meter clear	0, 10, 9999	1	9999	240	
	171	Operation hour meter clear	0, 9999	1	9999	240	
User group	172	User group registered display/batch clear	9999, (0 to 16)	1	0	293	
	173	User group registration	0 to 999, 9999	1	9999	293	
	174	User group clear	0 to 999, 9999	1	9999	293	
input terminal function assignment	178	STF terminal function selection	0 to 20, 22 to 28, 37, 42 to 44, 50, 60, 62, 64 to 71, 9999	1	60	219	
	179	STR terminal function selection	0 to 20, 22 to 28, 37, 42 to 44, 50, 61, 62, 64 to 71, 9999	1	61	219	
	180	RL terminal function selection	0 to 20, 22 to 28, 37, 42 to 44, 50, 62, 64 to 71, 9999	1	0	219	
	181	RM terminal function selection		1	1	219	
	182	RH terminal function selection		1	2	219	
	183	RT terminal function selection		1	3	219	
	184	AU terminal function selection	0 to 20, 22 to 28, 37, 42 to 44, 50, 62 to 71, 9999	1	4	219	
	185	JOG terminal function selection	0 to 20, 22 to 28, 37, 42 to 44, 50, 62, 64 to 71, 9999	1	5	219	
	186	CS terminal function selection		1	6	219	
	187	MRS terminal function selection		1	24	219	
188	STOP terminal function selection	1		25	219		
189	RES terminal function selection	1		62	219		
Output terminal function assignment	190	RUN terminal function selection	0 to 8, 10 to 20, 25 to 28, 30 to 36, 39, 41 to 47, 64, 70, 84, 85, 90 to 99, 100 to 108, 110 to 116, 120, 125 to 128, 130 to 136, 139, 141 to 147, 164, 170, 184, 185, 190 to 199, 9999	1	0	226	
	191	SU terminal function selection		1	1	226	
	192	IPF terminal function selection		1	2	226	
	193	OL terminal function selection		1	3	226	
	194	FU terminal function selection		1	4	226	
	195	ABC1 terminal function selection	0 to 8, 10 to 20, 25 to 28, 30 to 36, 39, 41 to 47, 64, 70, 84, 85, 90, 91, 94 to 99, 100 to 108, 110 to 116, 120, 125 to 128, 130 to 136, 139, 141 to 147, 164, 170, 184, 185, 190, 191, 194 to 199, 9999	1	99	226	
	196	ABC2 terminal function selection	1	9999	226		
Multi-speed setting	232 to 239	Multi-speed setting(8 speed to 15 speed)	0 to 400Hz, 9999	0.01Hz	9999	226	
—	240	Soft-PWM operation selection	0, 1	1	1	158	
—	241	Analog input display unit switchover	0, 1	1	0	268	
—	242	Terminal 1 added compensation amount (terminal 2)	0 to 100%	0.1%	100%	277	
—	243	Terminal 1 added compensation amount (terminal 4)	0 to 100%	0.1%	75%	274	
—	244	Cooling fan operation selection	0, 1	1	1	274	



Function	Parameter	Name	Setting Range	Minimum Setting Increments	Initial Value	Refer to Page	Customer Setting
Slip compensation	245	Rated slip	0 to 50%, 9999	0.01%	9999	141	
	246	Slip compensation time constant	0.01 to 10s	0.01s	0.5s	141	
	247	Constant-power region slip compensation selection	0, 9999	1	9999	141	
—	250	Stop selection	0 to 100s, 1000 to 1100s 8888, 9999	0.1s	9999	201	
—	251	Output phase failure protection selection	0, 1	1	1	260	
Frequency compensation function	252	Override bias	0 to 200%	0.1%	50%	274	
	253	Override gain	0 to 200%	0.1%	150%	274	
Life check	255	Life alarm status display	(0 to 15)	1	0	369	
	256	Inrush current limit circuit life display	(0 to 100%)	1%	100%	369	
	257	Control circuit capacitor life display	(0 to 100%)	1%	100%	369	
	258	Main circuit capacitor life display	(0 to 100%)	1%	100%	369	
	259	Main circuit capacitor life measuring	0, 1	1	0	369	
—	260	PWM frequency automatic switchover	0, 1	1	1	268	
Power failure stop	261	Power failure stop selection	0, 1, 2, 11, 12	1	0	254	
	262	Subtracted frequency at deceleration start	0 to 20Hz	0.01Hz	3Hz	254	
	263	Subtraction starting frequency	0 to 120Hz, 9999	0.01Hz	50Hz	254	
	264	Power-failure deceleration time 1	0 to 3600/360s	0.1/0.01s	5s	254	
	265	Power-failure deceleration time 2	0 to 3600s/360s, 9999	0.1/0.01s	9999	254	
	266	Power failure deceleration time switchover frequency	0 to 400Hz	0.01Hz	50Hz	254	
—	267	Terminal 4 input selection	0, 1, 2	1	0	271	
—	268	Monitor decimal digits selection	0,1, 9999	1	9999	240	
—	269	Parameter for manufacturer setting. Do not set.					
—	270	Stop-on contact/load torque high-speed frequency control selection	0, 1, 2, 3	1	0	202, 356	
Load torque high speed frequency control	271	High-speed setting maximum current	0 to 220%	0.1%	50%	356	
	272	Middle-speed setting minimum current	0 to 220%	0.1%	100%	356	
	273	Current averaging range	0 to 400Hz, 9999	0.01Hz	9999	356	
	274	Current averaging filter time constant	1 to 4000	1	16	356	
Stop-on contact control	275	Stop-on contact excitation current low-speed multiplying factor	0 to 1000%, 9999	0.1%	9999	202	
	276	PWM carrier frequency at stop-on contact	0 to 9, 9999/ 0 to 4, 9999 *2	1	9999	202	



Function	Parameter	Name	Setting Range	Minimum Setting Increments	Initial Value	Refer to Page	Customer Setting
Brake sequence function	278	Brake opening frequency	0 to 30Hz	0.01Hz	3Hz	205	
	279	Brake opening current	0 to 220%	0.1%	130%	205	
	280	Brake opening current detection time	0 to 2s	0.1s	0.3s	205	
	281	Brake operation time at start	0 to 5s	0.1s	0.3s	205	
	282	Brake operation frequency	0 to 30Hz	0.01Hz	6Hz	205	
	283	Brake operation time at stop	0 to 5s	0.1s	0.3s	205	
	284	Deceleration detection function selection	0, 1	1	0	205	
	285	Overspeed detection frequency (Excessive speed deviation detection frequency)	0 to 30Hz, 9999	0.01Hz	9999	109, 205	
Droop control	286	Droop gain	0 to 100%	0.1%	0%	358	
	287	Droop filter time constant	0 to 1s	0.01s	0.3s	358	
	288	Droop function activation selection	0, 1, 2, 10, 11	1	0	358	
—	291	Pulse train input selection	0, 1	1	0	360	
—	292	Automatic acceleration/deceleration	0, 1, 3, 5 to 8, 11	1	0	155, 171, 205	
—	293	Acceleration/deceleration separate selection	0 to 2	1	0	171	
—	294	UV avoidance voltage gain	0 to 200%	0.1%	100%	254	
—	299	Rotation direction detection selection at restarting	0, 1, 9999	1	0	250	
RS-485 communication	331	RS-485 communication station number	0 to 31(0 to 247)	1	0	314	
	332	RS-485 communication speed	3, 6, 12, 24, 48, 96, 192, 384	1	96	314	
	333	RS-485 communication stop bit length	0, 1, 10, 11	1	1	314	
	334	RS-485 communication parity check selection	0, 1, 2	1	2	314	
	335	RS-485 communication retry count	0 to 10, 9999	1	1	314	
	336	RS-485 communication check time interval	0 to 999.8s, 9999	0.1s	0s	314	
	337	RS-485 communication waiting time setting	0 to 150ms, 9999	1	9999	314	
	338	Communication operation command source	0, 1	1	0	304	
	339	Communication speed command source	0, 1, 2	1	0	304	
	340	Communication startup mode selection	0, 1, 2, 10, 12	1	0	303	
	341	RS-485 communication CR/LF selection	0, 1, 2	1	1	314	
	342	Communication EEPROM write selection	0, 1	1	0	315	
343	Communication error count	—	1	0	327		



Function	Parameter	Name	Setting Range	Minimum Setting Increments	Initial Value	Refer to Page	Customer Setting
Orientation control	350 *5	Stop position command selection	0, 1, 9999	1	9999	208	
	351 *5	Orientation speed	0 to 30Hz	0.01Hz	2Hz	208	
	352 *5	Creep speed	0 to 10Hz	0.01Hz	0.5Hz	208	
	353 *5	Creep switchover position	0 to 16383	1	511	208	
	354 *5	Position loop switchover position	0 to 8191	1	96	208	
	355 *5	DC injection brake start position	0 to 255	1	5	208	
	356 *5	Internal stop position command	0 to 16383	1	0	208	
	357 *5	Orientation in-position zone	0 to 255	1	5	208	
	358 *5	Servo torque selection	0 to 13	1	1	208	
	359 *5	Encoder rotation direction	0, 1	1	1	208	
	360 *5	16 bit data selection	0 to 127	1	0	208	
	361 *5	Position shift	0 to 16383	1	0	208	
	362 *5	Orientation position loop gain	0.1 to 100	0.1	1	208	
	363 *5	Completion signal output delay time	0 to 5s	0.1s	0.5s	208	
	364 *5	Encoder stop check time	0 to 5s	0.1s	0.5s	208	
	365 *5	Orientation limit	0 to 60s, 9999	1s	9999	208	
366 *5	Recheck time	0 to 5s, 9999	0.1s	9999	208		
Encoder feedback	367 *5	Speed feedback range	0 to 400Hz, 9999	0.01Hz	9999	362	
	368 *5	Feedback gain	0 to 100	0.1	1	362	
	369 *5	Number of encoder pulses	0 to 4096	1	1024	208, 362	
	374	Overspeed detection level	0 to 400Hz	0.01Hz	115Hz	260	
	376 *5	Encoder signal loss detection enable/disable selection	0, 1	1	0	260	
S-pattern acceleration/ deceleration C	380	Acceleration S-pattern 1	0 to 50%	1%	0	168	
	381	Deceleration S-pattern 1	0 to 50%	1%	0	168	
	382	Acceleration S-pattern 2	0 to 50%	1%	0	168	
	383	Deceleration S-pattern 2	0 to 50%	1%	0	168	
Pulse train input	384	Input pulse division scaling factor	0 to 250	1	0	360	
	385	Frequency for 0 input pulse	0 to 400Hz	0.01Hz	0	360	
	386	Frequency for maximum input pulse	0 to 400Hz	0.01Hz	50Hz	360	
Orientation control	393 *5	Orientation selection	0, 1, 2	1	0	208	
	396 *5	Orientation speed gain (P term)	0 to 1000	1	60	208	
	397 *5	Orientation speed integral time	0 to 20s	0.001s	0.333s	208	
	398 *5	Orientation speed gain (D term)	0 to 100	0.1	1	208	
	399 *5	Orientation deceleration ratio	0 to 1000	1	20	208	
PLC function	414	PLC function operation selection	0, 1	1	0	341	
	415	Inverter operation lock mode setting	0, 1	1	0	341	
	416	Pre-scale function selection	0 to 5	1	0	341	
	417	Pre-scale setting value	0 to 32767	1	1	341	



Function	Parameter	Name	Setting Range	Minimum Setting Increments	Initial Value	Refer to Page	Customer Setting
Position control	419 *5	Position command source selection	0, 2	1	0	124, 127	
	420 *5	Command pulse scaling factor numerator	0 to 32767	1	1	129	
	421 *5	Command pulse scaling factor denominator	0 to 32767	1	1	129	
	422 *5	Position loop gain	0 to 150s ⁻¹	1s ⁻¹	25s ⁻¹	131	
	423 *5	Position feed forward gain	0 to 100%	1%	0	131	
	424 *5	Position command acceleration/ deceleration time constant	0 to 50s	0.001s	0s	129	
	425 *5	Position feed forward command filter	0 to 5s	0.001s	0s	131	
	426 *5	In-position width	0 to 32767pulse	1	100	130	
	427 *5	Excessive level error	0 to 400K, 9999	1K	40K	130	
	428 *5	Command pulse selection	0 to 5	1	0	127	
	429 *5	Clear signal selection	0, 1	1	1	127	
Second motor constants	430 *5	Pulse monitor selection	0 to 5, 9999	1	9999	127	
	450	Second applied motor	0 to 8, 13 to 18, 20, 23, 24, 30, 33, 34, 40, 43, 44, 50, 53, 54, 9999	1	9999	176	
	451	Second motor control method selection	10, 11, 12, 20, 9999	1	9999	138	
	453	Second motor capacity	0.4 to 55kW, 9999/ 0 to 3600kW, 9999 *2	0.01kW/0.1kW *2	9999	138	
	454	Number of second motor poles	2, 4, 6, 8, 10, 9999	1	9999	138	
	455	Second motor excitation current	0 to 500A, 9999/ 0 to 3600A, 9999 *2	0.01/0.1A *2	9999	178	
	456	Rated second motor voltage	0 to 1000V	0.1V	400V	178	
	457	Rated second motor frequency	10 to 120Hz	0.01Hz	50Hz	178	
	458	Second motor constant (R1)	0 to 50Ω, 9999/ 0 to 400mΩ, 9999 *2	0.001Ω/ 0.01mΩ *2	9999	178	
	459	Second motor constant (R2)	0 to 50Ω, 9999/ 0 to 400mΩ, 9999 *2	0.001Ω/ 0.01mΩ *2	9999	178	
	460	Second motor constant (L1)	0 to 50Ω (0 to 1000mH), 9999/ 0 to 3600mΩ (0 to 400mH), 9999 *2	0.001Ω (0.1mH)/ 0.01mΩ(0.01mH) *2	9999	178	
	461	Second motor constant (L2)	0 to 50Ω (0 to 1000mH), 9999/ 0 to 3600mΩ (0 to 400mH), 9999 *2	0.001Ω (0.1mH)/ 0.01mΩ(0.01mH) *2	9999	178	
	462	Second motor constant (X)	0 to 500Ω (0 to 100%), 9999/ 0 to 100Ω (0 to 100%), 9999 *2	0.01Ω (0.1%)/ 0.01Ω (0.01%) *2	9999	178	
	463	Second motor auto tuning setting/ status	0, 1, 101	1	0	178	



Function	Parameter	Name	Setting Range	Minimum Setting Increments	Initial Value	Refer to Page	Customer Setting
Conditional position feed function	464 *5	Digital position control sudden stop deceleration time	0 to 360.0s	0.1s	0	124	
	465 *5	First position feed amount lower 4 digits	0 to 9999	1	0	124	
	466 *5	First position feed amount upper 4 digits	0 to 9999	1	0	124	
	467 *5	Second position feed amount lower 4 digits	0 to 9999	1	0	124	
	468 *5	Second position feed amount upper 4 digits	0 to 9999	1	0	124	
	469 *5	Third position feed amount lower 4 digits	0 to 9999	1	0	124	
	470 *5	Third position feed amount upper 4 digits	0 to 9999	1	0	124	
	471 *5	Fourth position feed amount lower 4 digits	0 to 9999	1	0	124	
	472 *5	Fourth position feed amount upper 4 digits	0 to 9999	1	0	124	
	473 *5	Fifth position feed amount lower 4 digits	0 to 9999	1	0	124	
	474 *5	Fifth position feed amount upper 4 digits	0 to 9999	1	0	124	
	475 *5	Sixth position feed amount lower 4 digits	0 to 9999	1	0	124	
	476 *5	Sixth position feed amount upper 4 digits	0 to 9999	1	0	124	
	477 *5	Seventh position feed amount lower 4 digits	0 to 9999	1	0	124	
	478 *5	Seventh position feed amount upper 4 digits	0 to 9999	1	0	124	
	479 *5	Eighth position feed amount lower 4 digits	0 to 9999	1	0	124	
	480 *5	Eighth position feed amount upper 4 digits	0 to 9999	1	0	124	
	481 *5	Ninth position feed amount lower 4 digits	0 to 9999	1	0	124	
	482 *5	Ninth position feed amount upper 4 digits	0 to 9999	1	0	124	
	483 *5	Tenth position feed amount lower 4 digits	0 to 9999	1	0	124	
484 *5	Tenth position feed amount upper 4 digits	0 to 9999	1	0	124		
485 *5	Eleventh position feed amount lower 4 digits	0 to 9999	1	0	124		
486 *5	Eleventh position feed amount upper 4 digits	0 to 9999	1	0	124		
487 *5	Twelfth position feed amount lower 4 digits	0 to 9999	1	0	124		
488 *5	Twelfth position feed amount upper 4 digits	0 to 9999	1	0	124		
489 *5	Thirteenth position feed amount lower 4 digits	0 to 9999	1	0	124		
490 *5	Thirteenth position feed amount upper 4 digits	0 to 9999	1	0	124		
491 *5	Fourteenth position feed amount lower 4 digits	0 to 9999	1	0	124		
492 *5	Fourteenth position feed amount upper 4 digits	0 to 9999	1	0	124		
493 *5	Fifteenth position feed amount lower 4 digits	0 to 9999	1	0	124		
494 *5	Fifteenth position feed amount upper 4 digits	0 to 9999	1	0	124		
Remote output	495	Remote output selection	0, 1, 10, 11	1	0	237	
	496	Remote output data 1	0 to 4095	1	0	237	
	497	Remote output data 2	0 to 4095	1	0	237	
—	498	PLC function flash memory clear	0 to 9999	1	0	341	
Maintenance	503	Maintenance timer	0 (1 to 9998)	1	0	371	
	504	Maintenance timer alarm output set time	0 to 9998, 9999	1	9999	371	
—	505	Speed setting reference	1 to 120Hz	0.01Hz	50Hz	238	
PLC function	506	Parameter 1 for user	0 to 65535	1	0	341	
	507	Parameter 2 for user	0 to 65535	1	0	341	
	508	Parameter 3 for user	0 to 65535	1	0	341	
	509	Parameter 4 for user	0 to 65535	1	0	341	
	510	Parameter 5 for user	0 to 65535	1	0	341	
	511	Parameter 6 for user	0 to 65535	1	0	341	
	512	Parameter 7 for user	0 to 65535	1	0	341	
	513	Parameter 8 for user	0 to 65535	1	0	341	
	514	Parameter 9 for user	0 to 65535	1	0	341	
	515	Parameter 10 for user	0 to 65535	1	0	341	



Function	Parameter	Name	Setting Range	Minimum Setting Increments	Initial Value	Refer to Page	Customer Setting
S-pattern acceleration/ deceleration D	516	S-pattern time at a start of acceleration	0.1 to 2.5s	0.1s	0.1s	168	
	517	S-pattern time at a completion of acceleration	0.1 to 2.5s	0.1s	0.1s	168	
	518	S-pattern time at a start of deceleration	0.1 to 2.5s	0.1s	0.1s	168	
	519	S-pattern time at a completion of deceleration	0.1 to 2.5s	0.1s	0.1s	168	
—	539	Modbus-RTU communication check time interval	0 to 999.8s, 9999	0.1s	9999	327	
USB	547	USB communication station number	0 to 31	1	0	342	
	548	USB communication check time interval	0 to 999.8s, 9999	0.1s	9999	342	
Communication	549	Protocol selection	0, 1	1	0	327	
	550	NET mode operation command source selection	0, 1, 9999	1	9999	304	
	551	PU mode operation command source selection	1, 2, 3	1	2	304	
Current average value monitor	555	Current average time	0.1 to 1.0s	0.1s	1s	372	
	556	Data output mask time	0.0 to 20.0s	0.1s	0s	372	
	557	Current average value monitor signal output reference current	0 to 500/0 to 3600A *2	0.01/0.1A *2	Rated inverter current	372	
—	563	Energization time carrying-over times	(0 to 65535)	1	0	372	
—	564	Operating time carrying-over times	(0 to 65535)	1	0	372	
Second motor constants	569	Second motor speed control gain	0 to 200%, 9999	0.1%	9999	138	
Multiple rating	570	Multiple rating setting	0 to 3	1	2	147	
—	571	Holding time at a start	0.0 to 10.0s, 9999	0.1s	9999	167	
—	573	4mA input check selection	1, 9999	1	9999	287	
—	574	Second motor online auto tuning	0, 1	1	0	188	
PID control	575	Output interruption detection time	0 to 3600s, 9999	0.1s	1s	343	
	576	Output interruption detection level	0 to 400Hz	0.01Hz	0Hz	343	
	577	Output interruption cancel level	900 to 1100%	0.1%	1000%	343	
Travers function	592	Traverse function selection	0, 1, 2	1	0	364	
	593	Maximum amplitude amount	0 to 25%	0.1%	10%	364	
	594	Amplitude compensation amount during deceleration	0 to 50%	0.1%	10%	364	
	595	Amplitude compensation amount during deceleration	0 to 50%	0.1%	10%	364	
	596	Amplitude acceleration time	0.1 to 3600s	0.1s	5s	364	
	597	Amplitude deceleration time	0.1 to 3600s	0.1s	5s	364	
—	611	Acceleration time at a restart	0 to 3600s, 9999	0.1s	5/15s *2	250	
—	665	Regeneration avoidance frequency gain	0 to 200%	0.1%	100%	366	
—	684	Tuning data unit switchover	0, 1	1	0	178	
—	800	Control method selection	0 to 5, 9 to 12, 20	1	20	85, 138	
—	802 *5	Pre-excitation selection	0, 1	1	0	191	



Function	Parameter	Name	Setting Range	Minimum Setting Increments	Initial Value	Refer to Page	Customer Setting
Torque command	803	Constant power range torque characteristic selection	0, 1	1	0	92, 115	
	804	Torque command source selection	0, 1, 3 to 6	1	0	115	
	805	Torque command value (RAM)	600 to 1400%	1%	1000%	115	
	806	Torque command value (RAM,EEPROM)	600 to 1400%	1%	1000%	115	
Speed limit	807	Speed limit selection	0, 1, 2	1	0	117	
	808	Forward rotation speed limit	0 to 120Hz	0.01Hz	50Hz	117	
	809	Reverse rotation speed limit	0 to 120Hz, 9999	0.01Hz	9999	117	
Torque limit	810	Torque limit input method selection	0, 1	1	0	92	
	811	Set resolution switchover	0, 1, 10, 11	1	0	92, 238	
	812	Torque limit level (regeneration)	0 to 400%, 9999	0.1%	9999	92	
	813	Torque limit level (3rd quadrant)	0 to 400%, 9999	0.1%	9999	92	
	814	Torque limit level (4th quadrant)	0 to 400%, 9999	0.1%	9999	92	
	815	Torque limit level 2	0 to 400%, 9999	0.1%	9999	92	
	816	Torque limit level during acceleration	0 to 400%, 9999	0.1%	9999	92	
Easy gain tuning	818	Easy gain tuning response level setting	1 to 15	1	2	97	
	819	Easy gain tuning selection	0 to 2	1	0	97	
Adjustment function	820	Speed control P gain 1	0 to 1000%	1%	60%	97	
	821	Speed control integral time 1	0 to 20s	0.001s	0.333s	97	
	822	Speed setting filter 1	0 to 5s, 9999	0.001s	9999	276	
	823 *5	Speed detection filter 1	0 to 0.1s	0.001s	0.001s	134	
	824	Torque control P gain 1	0 to 200%	1%	100%	120	
	825	Torque control integral time 1	0 to 500ms	0.1ms	5ms	120	
	826	Torque setting filter 1	0 to 5s, 9999	0.001s	9999	276	
	827	Torque detection filter 1	0 to 0.1s	0.001s	0s	134	
	828	Model speed control gain	0 to 1000%	1%	60%	104	
	830	Speed control P gain 2	0 to 1000%, 9999	1%	9999	97	
	831	Speed control integral time 2	0 to 20s, 9999	0.001s	9999	97	
	832	Speed setting filter2	0 to 5s, 9999	0.001s	9999	276	
	833 *5	Speed detection filter 2	0 to 0.1s, 9999	0.001s	9999	134	
	834	Torque control P gain 2	0 to 200%, 9999	1%	9999	120	
	835	Torque control integral time 2	0 to 500ms, 9999	0.1ms	9999	120	
836	Torque setting filter2	0 to 5s, 9999	0.001s	9999	276		
837	Torque detection filter 2	0 to 0.1s, 9999	0.001s	9999	134		
Torque bias	840 *5	Torque bias selection	0 to 3, 9999	1	9999	106	
	841 *5	Torque bias 1	600 to 1400%, 9999	1%	9999	106	
	842 *5	Torque bias 2	600 to 1400%, 9999	1%	9999	106	
	843 *5	Torque bias 3	600 to 1400%, 9999	1%	9999	106	
	844 *5	Torque bias filter	0 to 5s, 9999	0.001s	9999	106	
	845 *5	Torque bias operation time	0 to 5s, 9999	0.01s	9999	106	
	846 *5	Torque bias balance compensation	0 to 10V, 9999	0.1V	9999	106	
	847 *5	Fall-time torque bias terminal 1 bias	0 to 400%, 9999	1%	9999	106	
848 *5	Fall-time torque bias terminal 1 gain	0 to 400%, 9999	1%	9999	106		



Function	Parameter	Name	Setting Range	Minimum Setting Increments	Initial Value	Refer to Page	Customer Setting
Additional function	849	Analog input off set adjustment	0 to 200%	0.1%	100%	276	
	850	Control operation selection	0, 1	1	0	191	
	853 *5	Speed deviation time	0 to 100s	0.1s	1s	109	
	854	Excitation ratio	0 to 100%	1%	100%	191	
	858	Terminal 4 function assignment	0, 1, 4, 9999	1	0	270	
	859	Torque current	0 to 500A, 9999/ 0 to 3600A, 9999 *2	0.01A/0.1A *2	9999	178	
	860	Second motor torque current	0 to 500A, 9999/ 0 to 3600A, 9999 *2	0.01A/0.1A *2	9999	178	
	862	Notch filter time constant	0 to 60	1	0	110	
	863	Notch filter depth	0, 1, 2, 3	1	0	110	
	864	Torque detection	0 to 400%	0.1%	150%	236	
865	Low speed detection	0 to 400Hz	0.01Hz	1.5Hz	233		
Indication function	866	Torque monitoring reference	0 to 400%	0.1%	150%	245	
—	867	AM output filter	0 to 5s	0.01s	0.01s	245	
—	868	Terminal 1 function assignment	0 to 6, 9999	1	0	270	
—	869	Current output filter	0 to 5s	0.01s	0.02s	245	
Protective Functions	872	Input phase failure protection selection	0, 1	1	0	260	
	873 *5	Speed limit	0 to 120Hz	0.01Hz	20Hz	109	
	874	OLT level setting	0 to 200%	0.1%	150%	92	
	875	Fault definition	0, 1	1	0	261	
Control system functions	877	Speed feed forward control/model adaptive speed control selection	0, 1, 2	1	0	104	
	878	Speed feed forward filter	0 to 1s	0.01s	0s	104	
	879	Speed feed forward torque limit	0 to 400%	0.1%	150%	104	
	880	Load inertia ratio	0 to 200 times	0.1	7	97, 104	
	881	Speed feed forward gain	0 to 1000%	1%	0%	104	
Regeneration avoidance function	882	Regeneration avoidance operation selection	0, 1, 2	1	0	366	
	883	Regeneration avoidance operation level	300 to 800V	0.1V	760/785VDC *2	366	
	884	Regeneration avoidance at deceleration detection sensitivity	0 to 5	1	0	366	
	885	Regeneration avoidance compensation frequency limit value	0 to 10Hz, 9999	0.01Hz	6Hz	366	
	886	Regeneration avoidance voltage gain	0 to 200%	0.1%	100%	366	
Free parameters	888	Free parameter 1	0 to 9999	1	9999	374	
	889	Free parameter 2	0 to 9999	1	9999	374	



Function	Parameter	Name	Setting Range	Minimum Setting Increments	Initial Value	Refer to Page	Customer Setting
Energy saving monitor	891	Cumulative power monitor digit shifted times	0 to 4, 9999	1	9999	263	
	892	Load factor	30 to 150%	0.1%	100%	263	
	893	Energy saving monitor reference (motor capacity)	0.1 to 55/0 to 3600kW *2	0.01/ 0.1kW *2	Inverter rated capacity	263	
	894	Control selection during commercial power-supply operation	0, 1, 2, 3	1	0	263	
	895	Power saving rate reference value	0, 1, 9999	1	9999	263	
	896	Power unit cost	0 to 500, 9999	0.01	9999	263	
	897	Power saving monitor average time	0, 1 to 1000h, 9999	1	9999	263	
	898	Power saving cumulative monitor clear	0, 1, 10, 9999	1	9999	263	
	899	Operation time rate (estimated value)	0 to 100%, 9999	0.1%	9999	263	
Calibration parameters	C0 (900)	FM terminal calibration	—	—	—	247	
	C1 (901)	AM terminal calibration	—	—	—	247	
	C2 (902)	Terminal 2 frequency setting bias frequency	0 to 400Hz	0.01Hz	0Hz	277	
	C3 (902)	Terminal 2 frequency setting bias	0 to 300%	0.1%	0%	277	
	125 (903)	Terminal 2 frequency setting gain frequency	0 to 400Hz	0.01Hz	50Hz	277	
	C4 (903)	Terminal 2 frequency setting gain	0 to 300%	0.1%	100%	277	
	C5 (904)	Terminal 4 frequency setting bias frequency	0 to 400Hz	0.01Hz	0Hz	277	
	C6 (904)	Terminal 4 frequency setting bias	0 to 300%	0.1%	20%	277	
	126 (905)	Terminal 4 frequency setting gain frequency	0 to 400Hz	0.01Hz	50Hz	277	
	C7 (905)	Terminal 4 frequency setting gain	0 to 300%	0.1%	100%	277	
Analog output current calibration	C8 (930)	Current output bias signal	0 to 100%	0.1%	0%	247	
	C9 (930)	Current output bias current	0 to 100%	0.1%	0%	247	
	C10 (931)	Current output gain signal	0 to 100%	0.1%	100%	247	
	C11 (931)	Current output gain current	0 to 100%	0.1%	100%	247	
Calibration parameters	C12 (917)	Terminal 1 bias frequency (speed)	0 to 400Hz	0.01Hz	0Hz	277	
	C13 (917)	Terminal 1 bias (speed)	0 to 300%	0.1%	0%	277	
	C14 (918)	Terminal 1 gain frequency (speed)	0 to 400Hz	0.01Hz	50Hz	277	
	C15 (918)	Terminal 1 gain (speed)	0 to 300%	0.1%	100%	277	
	C16 (919)	Terminal 1 bias command (torque/magnetic flux)	0 to 400%	0.1%	0%	282	
	C17 (919)	Terminal 1 bias (torque/magnetic flux)	0 to 300%	0.1%	0%	282	
	C18 (920)	Terminal 1 gain command (torque/magnetic flux)	0 to 400%	0.1%	150%	282	
	C19 (920)	Terminal 1 gain (torque/magnetic flux)	0 to 300%	0.1%	100%	282	
	C38 (932)	Terminal 4 bias command (torque/magnetic flux)	0 to 400%	0.1%	0%	282	
	C39 (932)	Terminal 4 bias (torque/magnetic flux)	0 to 300%	0.1%	20%	282	
	C40 (933)	Terminal 4 gain command (torque/magnetic flux)	0 to 400%	0.1%	150%	282	
	C41 (933)	Terminal 4 gain (torque/magnetic flux)	0 to 300%	0.1%	100%	282	
—	989	Parameter copy alarm release	10/100	1	10/100 *2	380	
PU	990	PU buzzer control	0, 1	1	1	377	
	991	PU contrast adjustment	0 to 63	1	58	377	



Function	Parameter	Name	Setting Range	Minimum Setting Increments	Initial Value	Refer to Page	Customer Setting
Clear parameters	Pr. CL	Parameter clear	0, 1	1	0	378	
	ALLC	All parameter clear	0, 1	1	0	379	
	Er.CL	Alarm history clear	0, 1	1	0	383	
	PCPY	Parameter copy	0, 1, 2, 3	1	0	380	

*1 Differ according to capacities. (00023, 00038/00052 to 00126/00170, 00250/00310 to 01800/02160 or more)

*2 Differ according to capacities. (01800 or less/02160 or more)

*3 Differ according to capacities. (00250 or less/00310 or more)

*4 Differ according to capacities. (00250 or less/00310 to 01800/02160 or more)

*5 Setting can be made only when the FR-A7AP is mounted.

Parameters according to purposes

4.3	Control mode	81
4.3.1	What is vector control?.....	82
4.3.2	Change the control method (Pr. 80, Pr. 81, Pr. 451, Pr. 800).....	85
4.4	Speed control by real sensorless vector control, vector control	89
4.4.1	Setting procedure of real sensorless vector control (speed control)	90
4.4.2	Setting procedure of vector control (speed control)	91
4.4.3	Torque limit level setting for speed control (Pr. 22, Pr. 803, Pr. 810 to Pr. 817, Pr. 858, Pr. 868, Pr. 874)	92
4.4.4	To perform high accuracy/fast response operation (gain adjustment of real sensorless vector control and vector control) (Pr. 818 to Pr. 821, Pr. 830, Pr. 831, Pr. 880)	97
4.4.5	Speed feed forward control, model adaptive speed control (Pr. 828, Pr. 877 to Pr. 881)	104
4.4.6	Torque biases (Pr. 840 to Pr. 848)	106
4.4.7	Prevent the motor from overrunning (Pr. 285, Pr. 853, Pr. 873)	109
4.4.8	Notch filter (Pr. 862, Pr. 863)	110
4.5	Torque control by real sensorless vector control, vector control	111
4.5.1	Torque control.....	111
4.5.2	Setting procedure of real sensorless vector control (torque control)	113
4.5.3	Setting procedure of vector control (torque control)	114
4.5.4	Torque command (Pr. 803 to Pr. 806)	115
4.5.5	Speed limit (Pr. 807 to Pr. 809)	117
4.5.6	Gain adjustment of torque control (Pr. 824, Pr. 825, Pr. 834, Pr. 835)	120
4.6	Position control by vector control	122
4.6.1	Position control	122
4.6.2	Conditional position feed function by contact input (Pr. 419, Pr. 464 to Pr. 494)	124
4.6.3	Position control (Pr. 419, Pr. 428 to Pr. 430) by inverter pulse train input	127
4.6.4	Setting of the electronic gear (Pr. 420, Pr. 421, Pr. 424)	129
4.6.5	Setting of positioning adjustment parameter (Pr. 426, Pr. 427)	130
4.6.6	Gain adjustment of position control (Pr. 422, Pr. 423, Pr. 425)	131
4.6.7	Trouble shooting for when position control is not exercised normally	133
4.7	Adjustment of real sensorless vector control, vector control	134
4.7.1	Speed detection filter and torque detection filter (Pr. 823, Pr. 827, Pr. 833, Pr. 837)	134
4.7.2	Excitation ratio (Pr. 854)	135
4.8	Adjust the output torque of the motor (current)	136
4.8.1	Manual torque boost (Pr. 0, Pr. 46, Pr. 112).....	136
4.8.2	Advanced magnetic flux vector control (Pr. 71, Pr. 80, Pr. 81, Pr. 89, Pr. 450, Pr. 451, Pr. 453, Pr. 454, Pr. 569, Pr. 800)	138
4.8.3	Slip compensation (Pr. 245 to Pr. 247)	141
4.8.4	Stall prevention operation (Pr. 22, Pr. 23, Pr. 48, Pr. 49, Pr. 66, Pr. 114, Pr. 115, Pr. 148, Pr. 149, Pr. 154, Pr. 156, Pr. 157, Pr. 858, Pr. 868).....	142
4.8.5	Multiple rating (Pr. 570).....	147
4.9	Limit the output frequency	149
4.9.1	Maximum/minimum frequency (Pr. 1, Pr. 2, Pr. 18).....	149
4.9.2	Avoid mechanical resonance points (Frequency jump) (Pr. 31 to Pr. 36).....	150
4.10	Set V/F pattern	151
4.10.1	Base frequency, voltage (Pr. 3, Pr. 19, Pr. 47, Pr. 113)	151
4.10.2	Load pattern selection (Pr. 14)	153
4.10.3	Elevator mode (automatic acceleration/deceleration) (Pr. 61, Pr. 64, Pr. 292)	155
4.10.4	Adjustable 5 points V/F (Pr. 71, Pr. 100 to Pr. 109).....	157
4.11	Frequency setting by external terminals	158
4.11.1	Multi-speed setting operation (Pr. 4 to Pr. 6, Pr. 24 to Pr. 27, Pr. 232 to Pr. 239)	158
4.11.2	Jog operation (Pr. 15, Pr. 16).....	160
4.11.3	Input compensation of multi-speed and remote setting (Pr. 28)	162
4.11.4	Remote setting function (Pr. 59).....	162
4.12	Setting of acceleration/deceleration time and acceleration/deceleration pattern	165
4.12.1	Setting of the acceleration and deceleration time (Pr. 7, Pr. 8, Pr. 20, Pr. 21, Pr. 44, Pr. 45, Pr. 110, Pr. 111).....	165
4.12.2	Starting frequency and start-time hold function (Pr. 13, Pr. 571).....	167

4.12.3	Acceleration/deceleration pattern (Pr. 29, Pr. 140 to Pr. 143, Pr. 380 to Pr. 383, Pr. 516 to Pr. 519).....	168
4.12.4	Shortest acceleration/deceleration and optimum acceleration/deceleration (automatic acceleration/deceleration) (Pr. 61 to Pr. 63, Pr. 292, Pr. 293).....	171
4.13	Selection and protection of a motor	173
4.13.1	Motor protection from overheat (Electronic thermal relay function) (Pr. 9, Pr. 51).....	173
4.13.2	Applied motor (Pr. 71, Pr. 450).....	176
4.13.3	Offline auto tuning (Pr. 71, Pr. 80 to Pr. 84, Pr. 90 to Pr. 94, Pr. 96, Pr. 450, Pr. 453 to Pr. 463, Pr. 684, Pr. 859, Pr. 860).....	178
4.13.4	Online auto tuning (Pr. 95, Pr. 574).....	188
4.14	Motor brake and stop operation	191
4.14.1	DC injection brake and zero speed control, servo lock (LX signal, X13 signal, Pr. 10 to Pr. 12, Pr. 802, Pr. 850).....	191
4.14.2	Selection of regenerative brake and DC feeding (Pr. 30, Pr. 70).....	195
4.14.3	Stop selection (Pr. 250).....	201
4.14.4	Stop-on contact control function (Pr. 6, Pr. 48, Pr. 270, Pr. 275, Pr. 276).....	202
4.14.5	Brake sequence function (Pr. 278 to Pr. 285, Pr. 292).....	205
4.14.6	Orientation control (Pr. 350 to Pr. 366, Pr. 369, Pr. 393, Pr. 396 to Pr. 399).....	208
4.15	Function assignment of external terminal and control	219
4.15.1	Input terminal function selection (Pr. 178 to Pr. 189).....	219
4.15.2	Inverter output shutoff signal (MRS signal, Pr. 17).....	222
4.15.3	Condition selection of function validity by the second function selection signal (RT) and third function selection signal (X9) (RT signal, X9 signal, Pr. 155).....	223
4.15.4	Start signal selection (terminal STF, STR, STOP, Pr. 250).....	224
4.15.5	Output terminal function selection (Pr. 190 to Pr. 196).....	226
4.15.6	Detection of output frequency (SU, FU, FU2, FU3, FB, FB2, FB3, LS signal, Pr. 41 to Pr. 43, Pr. 50, Pr. 116, Pr. 865).....	233
4.15.7	Output current detection function (Y12 signal, Y13 signal, Pr. 150 to Pr. 153, Pr. 166, Pr. 167).....	235
4.15.8	Detection of output torque (TU signal, Pr. 864).....	236
4.15.9	Remote output function (REM signal, Pr. 495 to Pr. 497).....	237
4.16	Monitor display and monitor output signal	238
4.16.1	Speed display and speed setting (Pr. 37, Pr. 144, Pr. 505, Pr. 811).....	238
4.16.2	DU/PU, CA, AM terminal monitor display selection (Pr. 52, Pr. 54, Pr. 158, Pr. 170, Pr. 171, Pr. 268, Pr. 563, Pr. 564, Pr. 891).....	240
4.16.3	Reference of the terminal CA (analog current output) and AM (analog voltage output) (Pr. 55, Pr. 56, Pr. 866, Pr. 867, Pr. 869).....	245
4.16.4	Terminal CA, AM calibration (Calibration parameter C0 (Pr. 900), C1 (Pr. 901), C8 (Pr. 930) to C11 (Pr. 931)).....	247
4.17	Operation selection at power failure and instantaneous power failure	250
4.17.1	Automatic restart after instantaneous power failure/flying start (Pr. 57, Pr. 58, Pr. 162 to Pr. 165, Pr. 299, Pr. 611).....	250
4.17.2	Power failure-time deceleration-to-stop function (Pr. 261 to Pr. 266, Pr. 294).....	254
4.18	Operation setting at alarm occurrence	257
4.18.1	Retry function (Pr. 65, Pr. 67 to Pr. 69).....	257
4.18.2	Alarm code output selection (Pr. 76).....	259
4.18.3	Input/output phase failure protection selection (Pr. 251, Pr. 872).....	260
4.18.4	Overspeed detection (Pr. 374).....	260
4.18.5	Encoder signal loss detection (Pr. 376).....	260
4.18.6	Fault definition (Pr. 875).....	261
4.19	Energy saving operation and energy saving monitor	262
4.19.1	Energy saving control (Pr. 60).....	262
4.19.2	Energy saving monitor (Pr. 891 to Pr. 899).....	263
4.20	Motor noise, noise reduction	268
4.20.1	PWM carrier frequency and Soft-PWM control (Pr. 72, Pr. 240, Pr. 260).....	268
4.21	Frequency/torque setting by analog input (terminal 1, 2, 4)	270
4.21.1	Function assignment of analog input terminal (Pr. 858, Pr. 868).....	270
4.21.2	Analog input selection (Pr. 73, Pr. 267).....	271
4.21.3	Analog input compensation (Pr. 73, Pr. 242, Pr. 243, Pr. 252, Pr. 253).....	274

4.21.4	Response level of analog input and noise elimination (Pr. 74, Pr. 822, Pr. 826, Pr. 832, Pr. 836, Pr. 849).....	276
4.21.5	Bias and gain of frequency setting voltage (current) (Pr. 125, Pr. 126, Pr. 241, C2(Pr. 902) to C7(Pr. 905), C12(Pr. 917) to C15(Pr. 918))	277
4.21.6	Bias and gain of torque (magnetic flux) setting voltage (current) (Pr. 241, C16(Pr. 919) to C19(Pr. 920), C38 (Pr. 932) to C41 (Pr. 933))	282
4.21.7	4mA input check of current input (Pr. 573).....	287
4.22	Misoperation prevention and parameter setting restriction	289
4.22.1	Reset selection/disconnected PU detection/PU stop selection (Pr. 75).....	289
4.22.2	Parameter write selection (Pr. 77).....	292
4.22.3	Reverse rotation prevention selection (Pr. 78).....	293
4.22.4	Display of applied parameters and user group function (Pr. 160, Pr. 172 to Pr. 174)	293
4.23	Selection of operation mode and operation location	295
4.23.1	Operation mode selection (Pr. 79).....	295
4.23.2	Operation mode at power on (Pr. 79, Pr. 340).....	303
4.23.3	Operation command source and speed command source during communication operation (Pr. 338, Pr. 339, Pr. 550, Pr. 551)	304
4.24	Communication operation and setting	309
4.24.1	Wiring and configuration of PU connector.....	309
4.24.2	Wiring and arrangement of RS-485 terminals	311
4.24.3	Initial settings and specifications of RS-485 communication (Pr. 117 to Pr. 124, Pr. 331 to Pr. 337, Pr. 341, Pr. 549).....	314
4.24.4	Communication EEPROM write selection (Pr. 342).....	315
4.24.5	Mitsubishi inverter protocol (computer link communication).....	316
4.24.6	Modbus-RTU communication specifications (Pr. 331, Pr. 332, Pr. 334, Pr. 343, Pr. 539, Pr. 549).....	327
4.24.7	Operation by PLC function (Pr. 414 to Pr. 417, Pr. 498, Pr. 506 to Pr. 515).....	341
4.24.8	USB communication (Pr. 547, Pr. 548).....	342
4.25	Special operation and frequency control	343
4.25.1	PID control (Pr. 127 to Pr. 134, Pr. 575 to Pr. 577)	343
4.25.2	Commercial power supply-inverter switchover function (Pr. 57, Pr. 58, Pr. 135 to Pr. 139, Pr. 159).....	351
4.25.3	Load torque high speed frequency control (Pr. 4, Pr. 5, Pr. 270 to Pr. 274)	356
4.25.4	Droop control (Pr. 286 to Pr. 288)	358
4.25.5	Frequency setting by pulse train input (Pr. 291, Pr. 384 to Pr. 386).....	360
4.25.6	Encoder feedback control (Pr. 144, Pr. 285, Pr. 359, Pr. 367 to Pr. 369)	362
4.25.7	Traverse function (Pr. 592 to Pr. 597)	364
4.25.8	Regeneration avoidance function (Pr. 665, Pr. 882 to Pr. 886)	366
4.26	Useful functions	368
4.26.1	Cooling fan operation selection (Pr. 244).....	368
4.26.2	Display of the life of the inverter parts (Pr. 255 to Pr. 259).....	369
4.26.3	Maintenance timer alarm (Pr. 503, Pr. 504).....	371
4.26.4	Current average value monitor signal (Pr. 555 to Pr. 557).....	372
4.26.5	Free parameter (Pr. 888, Pr. 889)	374
4.27	Setting of the parameter unit and operation panel	375
4.27.1	PU display language selection (Pr. 145).....	375
4.27.2	Operation panel frequency setting/key lock operation selection (Pr. 161)	375
4.27.3	Buzzer control (Pr. 990)	377
4.27.4	PU contrast adjustment (Pr. 991)	377
4.28	Parameter clear	378
4.29	All parameter clear	379
4.30	Parameter copy and parameter verification	380
4.30.1	Parameter copy	380
4.30.2	Parameter verification	382
4.31	Check and clear of the alarm history	383

4.3 Control mode

V/F control (initial setting), advanced magnetic flux vector control, real sensorless vector control and vector control are available with this inverter.

(1) V/F Control

- It controls frequency and voltage so that the ratio of frequency (F) to voltage (V) is constant when changing frequency.

(2) Advanced magnetic flux vector control

- This control divides the inverter output current into an excitation current and a torque current by vector calculation and makes voltage compensation to flow a motor current which meets the load torque.

(3) Real sensorless vector control

- By estimating the motor speed, speed control and torque control with more advanced current control function are enabled. When high accuracy and fast response is necessary, select the real sensorless vector control and perform offline auto tuning and online auto tuning.
- This control can be applied to the following applications.
 - To minimize the speed fluctuation even at a severe load fluctuation
 - To generate low speed torque
 - To prevent machine from damage due to too large torque (torque limit)
 - To perform torque control

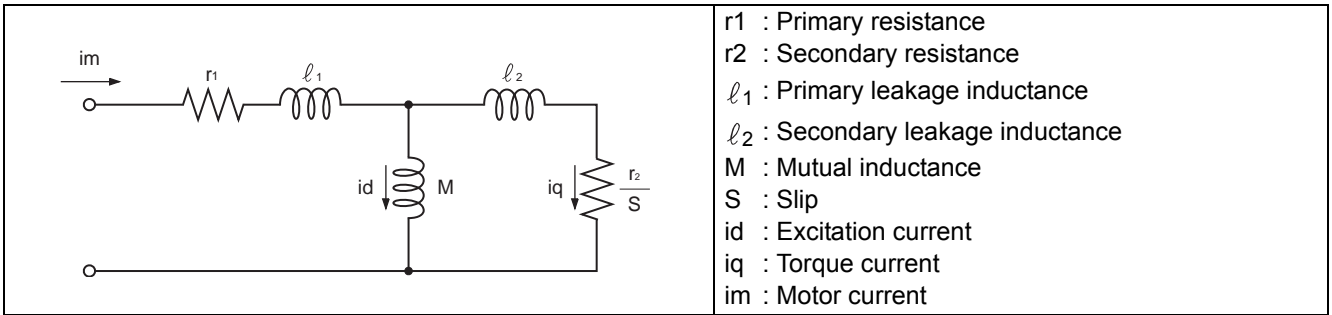
(4) Vector control

- When the FR-A7AP is mounted, full-scale vector control operation can be performed using a motor with encoder. Fast response/high accuracy speed control (zero speed control, servo lock), torque control, and position control can be performed.
- What is vector control?
Excellent control characteristics when compared to V/F control and other control techniques, achieving the control characteristics equal to those of DC machines.
It is suitable for applications below.
 - To minimize the speed fluctuation even at a severe load fluctuation
 - To generate low speed torque
 - To prevent machine from damage due to too large torque (torque limit)
 - To perform torque control or position control
 - Servo-lock torque control which generates a torque at zero speed (i.e. status of motor shaft = stopped)

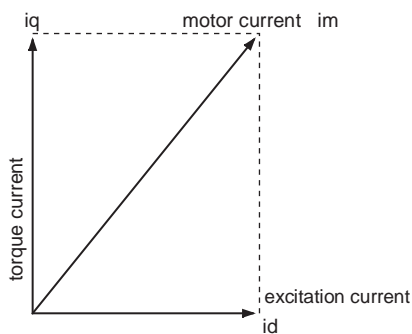


4.3.1 What is vector control?

Vector control is one of the control techniques for driving an induction motor. To help explain vector control, the fundamental equivalent circuit of an induction motor is shown below:



In the above diagram, currents flowing in the induction motor can be classified into a current i_d (excitation current) for making a magnetic flux in the motor and a current i_q (torque current) for causing the motor to develop a torque.



In vector control, the voltage and output frequency are calculated to control the motor so that the excitation current and torque current (as shown in the left figure) flow to the optimum as described below:

- (1) The excitation current is controlled to place the internal magnetic flux of the motor in the optimum status.
- (2) Derive the torque command value so that the difference between the motor speed command and the actual speed (speed estimated value for real sensorless vector control) obtained from the encoder connected to the motor shaft is zero. Torque current is controlled so that torque as set in the torque command is developed.

Motor-generated torque (T_M), slip angular velocity (ω_s) and the motor's secondary magnetic flux (ϕ_2) can be found by the following calculation:

$$T_M \propto \phi_2 \cdot i_q$$

$$\phi_2 = M \cdot i_d$$

$$\omega_s = \frac{r_2}{L_2} \cdot \frac{i_q}{i_d}$$

where, L_2 = secondary inductance

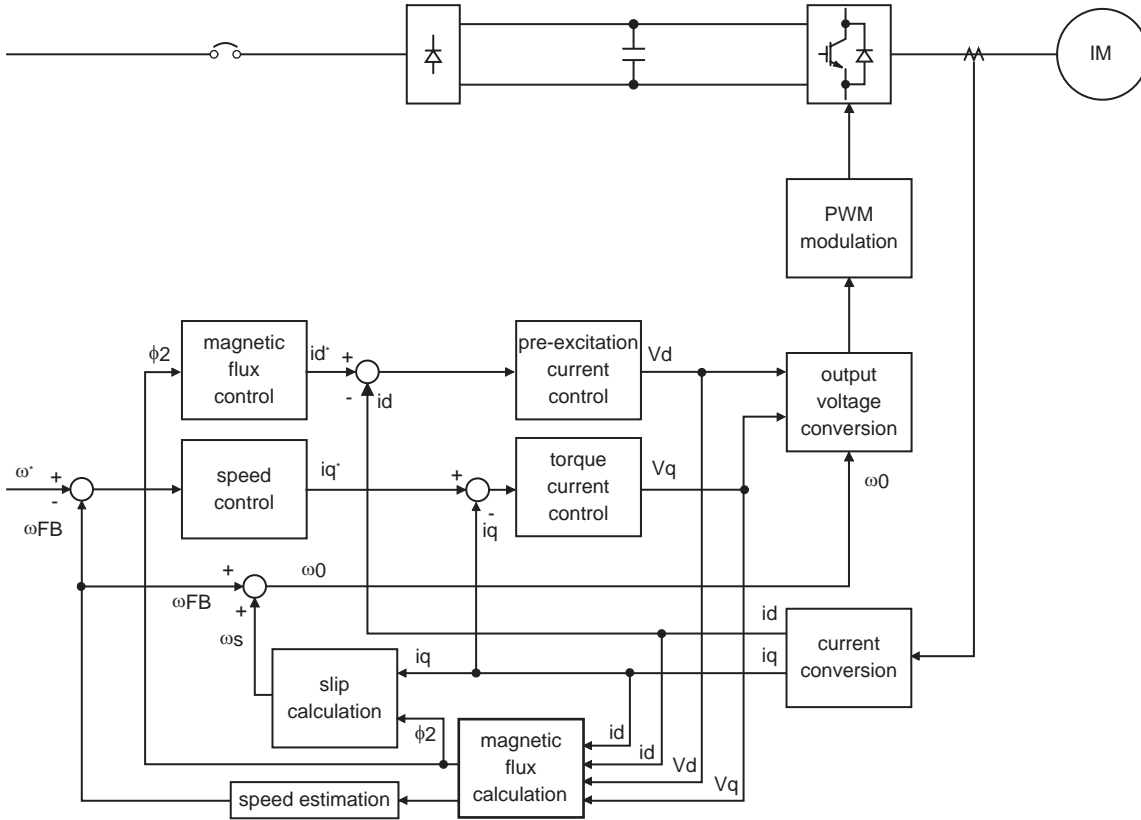
$$L_2 = l_2 + M$$

Vector control provides the following advantages:

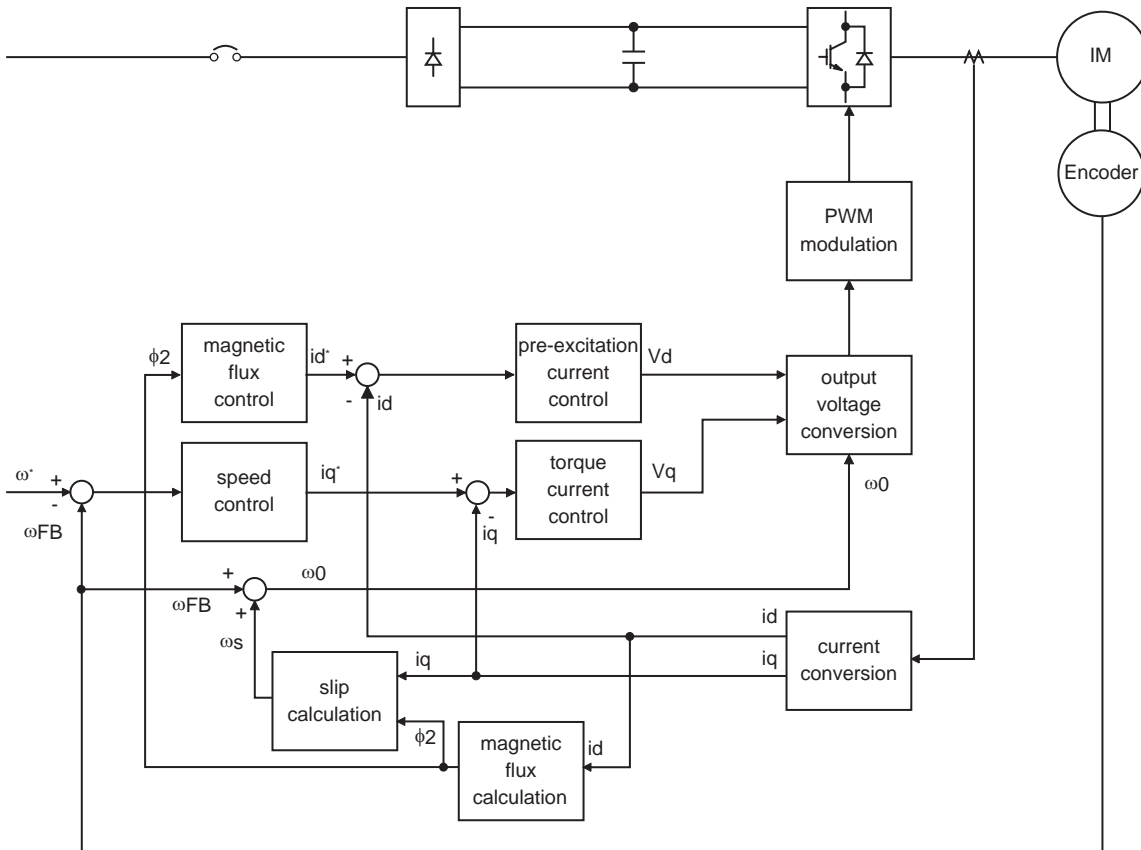
- (1) Excellent control characteristics when compared to V/F control and other control techniques, achieving the control characteristics equal to those of DC machines.
- (2) Applicable to high-response applications with which induction motors were previously regarded as difficult to use. Applications requiring a wide variable-speed range from extremely low speed to high speed, frequent acceleration/deceleration operations, continuous four-quadrant operations etc.
- (3) Allows torque control.
- (4) Allows servo-lock torque control which generates a torque at zero speed (i.e. status of motor shaft = stopped). (Cannot be performed under real sensorless vector control.)



Block diagram of real sensorless vector control



Block diagram of vector control





- (1) Speed control
Speed control operation is performed to zero the difference between the speed command (ω^*) and actual rotation detection value (ω_{FB}). At this time, the motor load is found and its result is transferred to the torque current controller as a torque current command (i_q^*).
- (2) Torque current control
A voltage (V_q) is calculated to start a current (i_q^*) which is identical to the torque current command (i_q) found by the speed controller.
- (3) Magnetic flux control
The magnetic flux (ϕ_2) of the motor is derived from the excitation current (i_d). The excitation current command (i_d^*) is calculated to use that motor magnetic flux (ϕ_2) as a predetermined magnetic flux.
- (4) Excitation current control
A voltage (V_d) is calculated to start a current (i_d) which is identical to the excitation current command (i_d^*) found by magnetic flux control.
- (5) Output frequency calculation
Motor slip (ω_s) is calculated on the basis of the torque current value (i_q) and magnetic flux (ϕ_2). The output frequency (ω_0) is found by adding that slip (ω_s) to the feedback (ω_{FB}) found by a feedback from the encoder.

The above results are used to make PWM modulation and run the motor.

4.3.2 Change the control method (Pr. 80, Pr. 81, Pr. 451, Pr. 800)

Set when selecting the advanced magnetic flux vector control, real sensorless vector control or vector control. Select a control mode from speed control mode, torque control mode and position control mode under real sensorless vector control or vector control. The initial value is V/F control.

- Select a control method using Pr. 800 (Pr. 451) Control method selection .
- Each control method can be switched using a method switching signal (MC).

Parameter Number	Name	Initial Value	Setting Range		Description	
80	Motor capacity	9999	01800 or less	0.4 to 55kW	Set the applied motor capacity.	
			02160 or more	0 to 3600kW		
			9999		V/F control	
81	Number of motor poles	9999	2, 4, 6, 8, 10		Set the number of motor poles.	
			12, 14, 16, 18, 20		X18 signal-ON:V/F control	Set 10 + number of motor poles
			9999		V/F control	
800	Control method selection	20	0 to 5		Vector control	
			9		Vector control test operation	
			10, 11, 12		Real sensorless vector control	
			20		V/F control (advanced magnetic flux vector control)	
451	Second motor control method selection	9999	10, 11, 12		Real sensorless vector control	
			20		V/F control (advanced magnetic flux vector control)	
			9999		Second motor is invalid	

(1) Setting of the motor capacity and the number of motor poles (Pr. 80, Pr. 81)

- Motor specifications(the motor capacity and the number of motor poles) must be set to select advanced magnetic flux vector control, real sensorless vector control or vector control.
- Set the motor capacity (kW) in Pr. 80 Motor capacity and set the number of motor poles in Pr. 81 Number of motor poles.

(2) Selection of control method and control mode

- Select the inverter control method for V/F control, advanced magnetic flux vector control (speed control), real sensorless vector control (speed control, torque control) and vector control (speed control, torque control, and position control).

Pr. 80, Pr. 81 Setting	Pr. 800 Setting	Pr. 451 Setting	Control Method	Control Mode	Remarks
Other than 9999	0	—	Vector control	Speed control	—
	1	—		Torque control	—
	2	—		Speed control-torque control switchover	MC ON: Torque control MC OFF: Speed control
	3	—		Position control	—
	4	—		Speed control-position control switchover	MC ON: Position control MC OFF: Speed control
	5	—		Position control-torque control switchover	MC ON: Torque control MC OFF: Position control
	9	—		Vector control test operation	
	10	—	Real sensorless vector control	Speed control	—
	11	—		Torque control	—
	12	—		Speed control-torque control switchover	MC ON: Torque control MC OFF: Speed control
	20 (Pr. 800 initial value)	—	Advanced magnetic flux vector control	Speed control	—
	—	9999 (Pr. 451 initial value)	V/F control, advanced magnetic flux vector control		
9999	—*	V/F control			

* Control method is V/F control regardless of the setting value of Pr. 800 when "9999" is set in Pr. 80 Motor capacity or Pr. 81 Number of motor poles.



(3) Vector control test operation (Pr. 800 = "9")

- Speed control test operation can be performed even when the motor is not connected. The speed calculation value changes to track the speed command and the transition can be checked with the operation panel and analog signal output at CA and AM.

CAUTION

- Since current is not detected and voltage is not output, monitors related to current and voltage such as output current and output voltage, etc. and output signals do not function.
- For speed calculation, speed is calculated in consideration of Pr. 880 Load inertia ratio.

(4) Control method switching by external terminals (RT signal, X18 signal)

- The switching of the control method (V/F control, advanced magnetic flux vector control, real sensorless vector control and vector control) by the external terminal may be made in either of the following two ways: switching by the second function selection signal (RT), or V/F switching signal (X18).
- Two types of control method can be switched with the RT signal by setting the type of motor to be used as second motor in Pr. 450 Second applied motor and control method of the motor in Pr. 451 Second motor control method selection. Turn on the RT signal to select the second function.
- For switching by the X18 signal, setting "12, 14, 16, 18, 20" in Pr. 81 Number of motor poles and turning the X18 signal on switches the currently selected control method (advanced magnetic flux vector control, real sensorless vector control and vector control) to V/F control. In this case, electronic thermal relay characteristic, etc. can not be changed. Therefore, use this terminal only for changing the control system of one motor. For the terminal used for X18 signal input, set "18" in any of Pr. 178 to Pr. 189 (input terminal function selection) to assign the function.

First Motor Control Method	Second Motor Control Method (RT signal is on)	Pr. 450 Setting	Pr. 453, Pr. 454 Setting	Pr. 451 Setting
V/F control	V/F control	9999	—	—
	Advanced magnetic flux vector control	Other than 9999	9999	—
	Real sensorless vector control		Other than 9999	20, 9999 10 to 12
Advanced magnetic flux vector control Real sensorless vector control	Same control as the first motor *1	9999	—	—
	V/F control	Other than 9999	9999	—
	Advanced magnetic flux vector control Real sensorless vector control		Other than 9999	20, 9999 10 to 12

*1 V/F control is selected when "12, 14, 16, 18, 20" is set in Pr. 81 and the X18 signal is on. When the X18 signal is not assigned, turning the RT signal on selects V/F control as the RT signal shares this function.

REMARKS

- The RT signal is assigned to the terminal RT in the initial setting. By setting "3" in any of Pr. 178 to Pr. 189 (input terminal function selection), you can assign the RT signal to the other terminal.
- The RT signal acts as the second function selection signal and makes the other second functions valid. (Refer to page 223.)

(5) Switching the control method from the external terminal (MC signal)

· When "12 (2)" is set in *Pr. 800 (Pr. 451)*, speed control is selected when the control mode switching signal (MC) is off, and torque control is selected when the signal is off under real sensorless vector control and vector control. Switching between speed control and torque control is always enabled.

Under vector control, speed control/position control switchover and torque control/position control switchover can be made by setting "4, 5" in *Pr. 800*. For the terminal used for MC signal input, set "26" in any of *Pr. 178 to Pr. 189 (input terminal function selection)* to assign the function.

· When an analog input terminal (terminal 1,4) is used for torque limit, torque command, etc., terminal functions also switch as below if control mode is switched.

● Terminal 1 function according to control

<i>Pr. 868</i> Setting	Real Sensorless Vector Control (<i>Pr. 800 = 12</i>), Vector Control (<i>Pr. 800 = 2</i>)	
	Speed control (MC signal-OFF)	Torque control (MC signal-ON)
0 (initial value)	Speed setting auxiliary	Speed limit auxiliary
1	Magnetic flux command	Magnetic flux command
2	Regenerative torque limit (<i>Pr. 810 = 1</i>)	—
3	—	Torque command (<i>Pr. 804 = 0</i>)
4	Torque limit (<i>Pr. 810 = 1</i>)	Torque command (<i>Pr. 804 = 0</i>)
5	—	Forward reverse speed limit (<i>Pr. 807 = 2</i>)
6	—	—
9999	—	—

<i>Pr. 868</i> Setting	Vector Control (<i>Pr. 800 = 4</i>)	
	Speed control (MC signal-OFF)	Position control (MC signal-ON)
0 (initial value)	Speed setting auxiliary	—
1	Magnetic flux command	Magnetic flux command
2	Regenerative torque limit (<i>Pr. 810 = 1</i>)	Regenerative torque limit (<i>Pr. 810 = 1</i>)
3	—	—
4	Torque limit (<i>Pr. 810 = 1</i>)	Torque limit (<i>Pr. 810 = 1</i>)
5	—	—
6	Torque bias	—
9999	—	—

<i>Pr. 868</i> Setting	Vector Control (<i>Pr. 800 = 5</i>)	
	Position control (MC signal-OFF)	Torque control (MC signal-ON)
0 (initial value)	—	Speed setting auxiliary
1	Magnetic flux command	Magnetic flux command
2	Regenerative torque limit (<i>Pr. 810 = 1</i>)	—
3	—	Torque command (<i>Pr. 804 = 0</i>)
4	Torque limit (<i>Pr. 810 = 1</i>)	Torque command (<i>Pr. 804 = 0</i>)
5	—	Forward reverse speed limit (<i>Pr. 807 = 2</i>)
6	—	—
9999	—	—



- Terminal 4 function according to control

Pr. 858 Setting	Real Sensorless Vector Control (Pr. 800 = 12), Vector Control (Pr. 800 = 2)	
	Speed control (MC signal-OFF)	Torque control (MC signal-ON)
0 (initial value)	Speed command (AU signal-ON)	Speed limit (AU signal-ON)
1	Magnetic flux command	Magnetic flux command
4	Torque limit (Pr. 810 = 1)	—
9999	—	—

Pr. 858 Setting	Vector Control (Pr. 800 = 4)	
	Speed control (MC signal-OFF)	Position control (MC signal-ON)
0 (initial value)	Speed command (AU signal-ON)	—
1	Magnetic flux command	Magnetic flux command
4	Torque limit (Pr. 810 = 1)	Torque limit (Pr. 810 = 1)
9999	—	—

Pr. 858 Setting	Vector Control (Pr. 800 = 5)	
	Position control (MC signal-OFF)	Torque control (MC signal-ON)
0 (initial value)	—	Speed limit (AU signal-ON)
1	Magnetic flux command	Magnetic flux command
4	Torque limit (Pr. 810 = 1)	—
9999	—	—

— :No function

REMARKS

- Switching between speed control and torque control is always enabled independently of whether the motor is at a stop or running or the DC injection brake operation (pre-excitation).
- Speed control/position control switchover and torque control/position control switchover is made when frequency drops to the Pr. 865 Low speed detection, and not switched during motor operation.

CAUTION

- Changing the terminal assignment using Pr. 178 to Pr. 189 (input terminal function selection) may affect the other functions. Please make setting after confirming the function of each terminal.

◆ Parameters referred to ◆

Advanced magnetic flux vector control Refer to page 138
 Real sensorless vector control, vector control (speed control) Refer to page 89
 Real sensorless vector control, vector control (torque control) Refer to page 111
 Vector control (position control) Refer to page 122
 Pr. 178 to Pr. 189 (input terminal function selection) Refer to page 219
 Pr. 450 Second applied motor Refer to page 176
 Pr. 804 Torque command source selection Refer to page 115
 Pr. 807 Speed limit selection Refer to page 117
 Pr. 810 Torque limit input method selection Refer to page 92
 Pr. 858 Terminal 4 function assignment, Pr. 868 Terminal 1 function assignment Refer to page 270

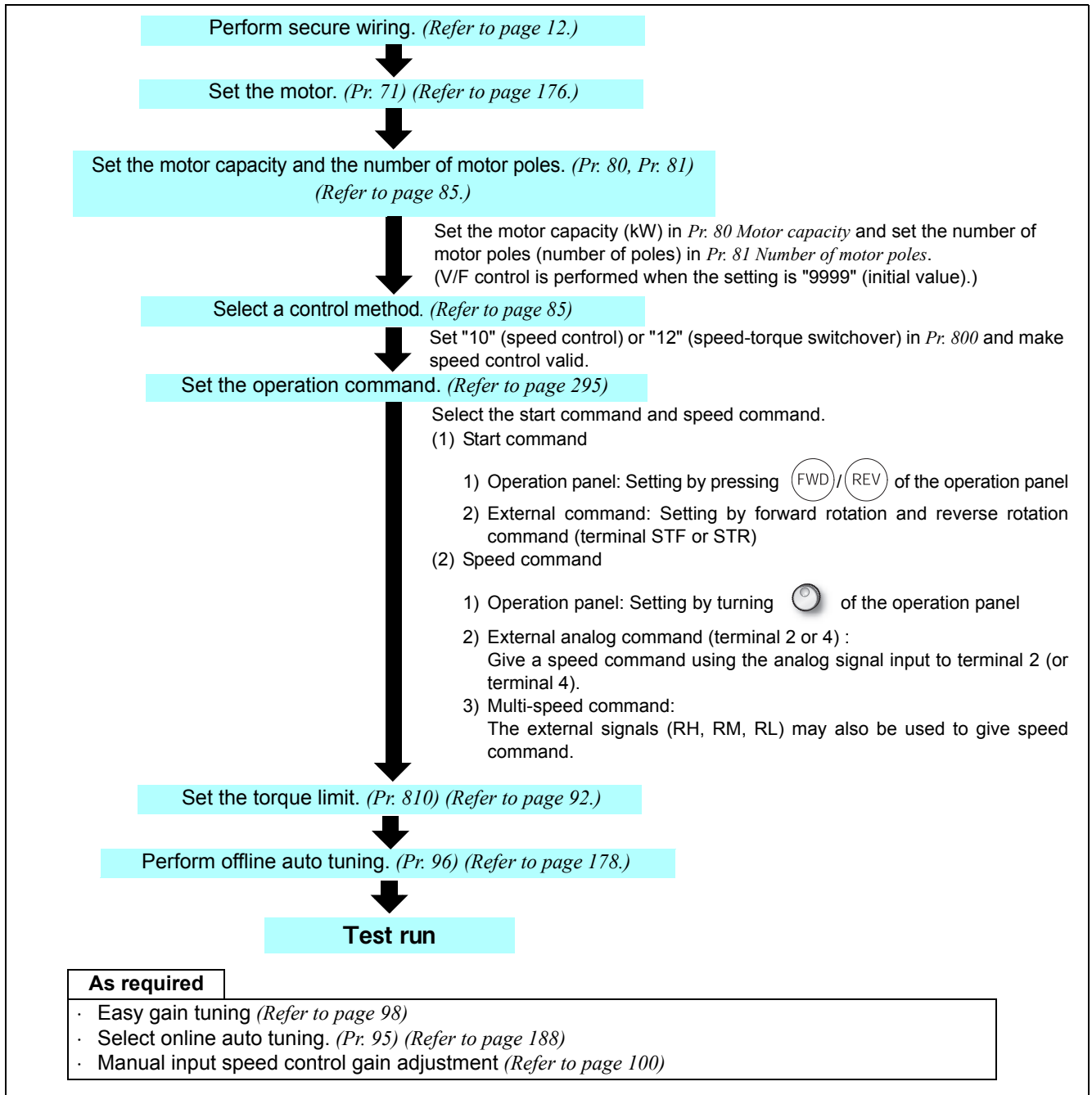
4.4 Speed control by real sensorless vector control, vector control

Purpose	Parameter that should be Set		Refer to Page
To perform torque limit during speed control	Torque limit	Pr. 22, Pr. 803, Pr. 810, Pr. 812 to Pr. 817, Pr. 858, Pr. 868, Pr. 874	92
Gain adjustment of speed control	Easy gain tuning Gain adjustment	Pr. 818 to Pr. 821, Pr. 830, Pr. 831, Pr. 880	97
To enhance the trackability of the motor in response to a speed command change	Speed feed forward control, model adaptive speed control	Pr. 828, Pr. 877 to Pr. 881	104
Stabilize the speed detection signal	Speed detection filter	Pr. 823, Pr. 833	134
Accelerates the rise of the torque at a start	Torque bias	Pr. 840 to Pr. 848	106
Avoid mechanical resonance	Notch filter	Pr. 862, Pr. 863	110

Speed control is exercised to match the speed command and actual motor speed.



4.4.1 Setting procedure of real sensorless vector control (speed control) Sensorless



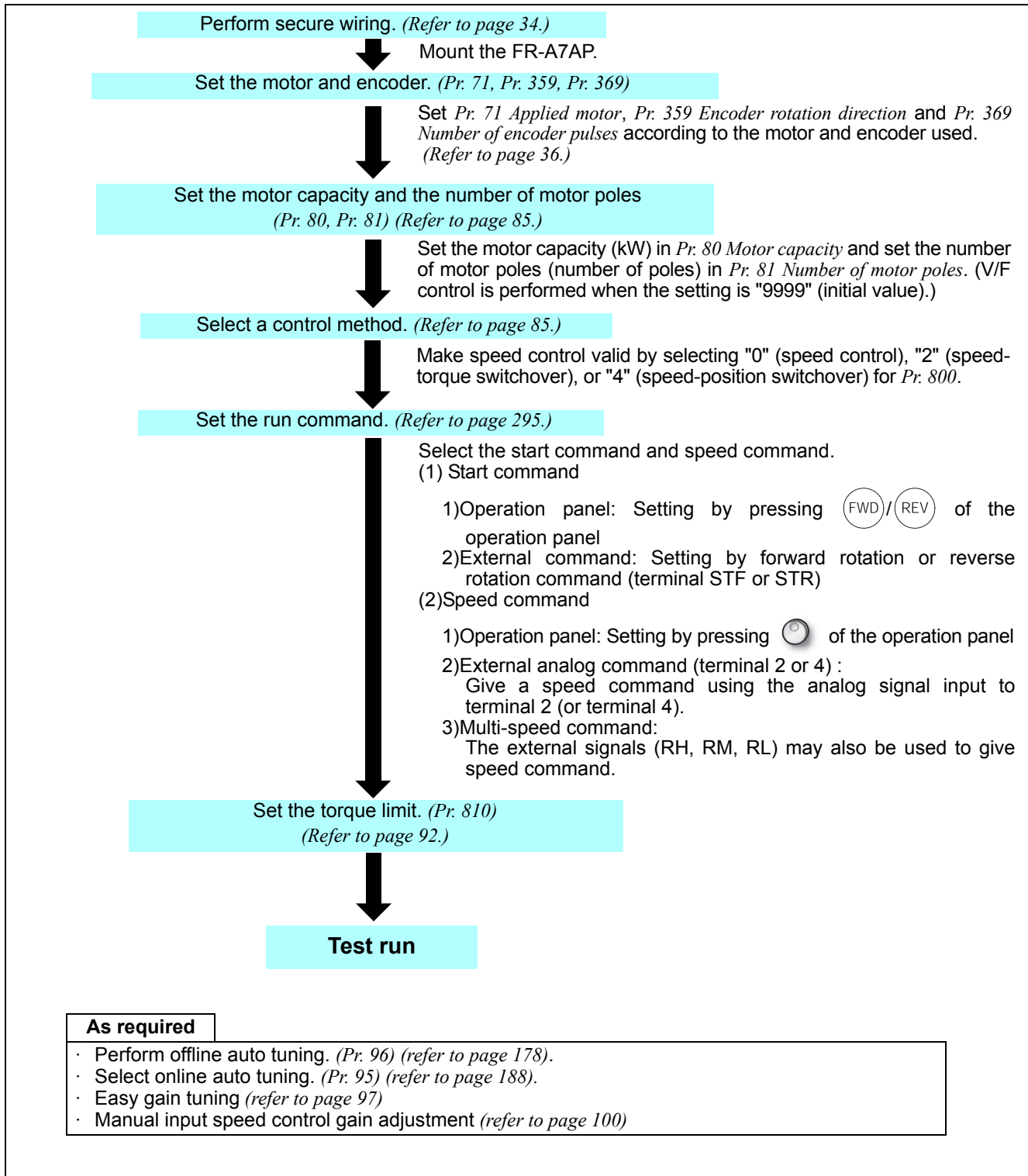
CAUTION

- Make sure to perform offline auto tuning before performing real sensorless vector control.
- The carrier frequencies are selectable from among 2k, 6k, 10k, 14kHz for real sensorless vector control.
- Torque control can not be performed in the low speed region and at a low speed with light load. Choose vector control.
- Performing pre-excitation (LX signal and X13 signal) under torque control may start the motor running at a low speed even when the start command (STF or STR) is not input. The motor may run also at a low speed when the speed limit value=0 with a start command input. Perform pre-excitation after making sure that there will be no problem in safety if the motor runs.
- Do not switch between the STF (forward rotation command) and STR (reverse rotation command) during operation under torque control. Overcurrent shut-off error (E.OC□) or opposite rotation deceleration error (E.11) occurs.
- For the 00023 to 00126, the speed deviation may become large at 20Hz or less and torque may become insufficient in the low speed region under 1Hz during continuous operation under real sensorless vector control. In such case, stop operation once and reaccelerate to improve the problems.
- When the inverter is likely to start during motor coasting under real sensorless vector control, set to make frequency search of automatic restart after instantaneous power failure valid (Pr. 57 ≠ "9999", Pr. 162 = "10").
- Enough torque may not be generated in the ultra-low speed range less than approx. 2 Hz when performing real sensorless vector control.

The guideline of speed control range is as shown below.

Driving:	1:200 (2, 4, 6 poles)	Can be used at 0.3 Hz or more at rated 60 Hz
	1:30 (8, 10 poles)	Can be used at 2 Hz or more at rated 60 Hz
Regeneration:	1:12 (2 to 10 poles)	Can be used at 5 Hz or more at rated 60 Hz

4.4.2 Setting procedure of vector control (speed control) Vector



CAUTION

- The carrier frequencies are selectable from among 2k, 6k, 10k, 14kHz for vector control. (2k and 6kHz for the 02160 or more)



4.4.3 Torque limit level setting for speed control

(Pr. 22, Pr. 803, Pr. 810 to Pr. 817, Pr. 858, Pr. 868, Pr. 874) Sensorless Vector

This function limits the output torque to the predetermined value during speed control under real sensorless vector control or vector control.

- Set the torque limit level within the range 0 to 400% in Pr. 22.
When the TL signal is turned on, torque limit level 2 functions.
- You can select whether the torque limit level is set using parameters or analog input terminals (terminal 1, 4).
In addition, you can set torque limit level for forward (power driving/regeneration) and reverse (power driving/regeneration) operation individually.

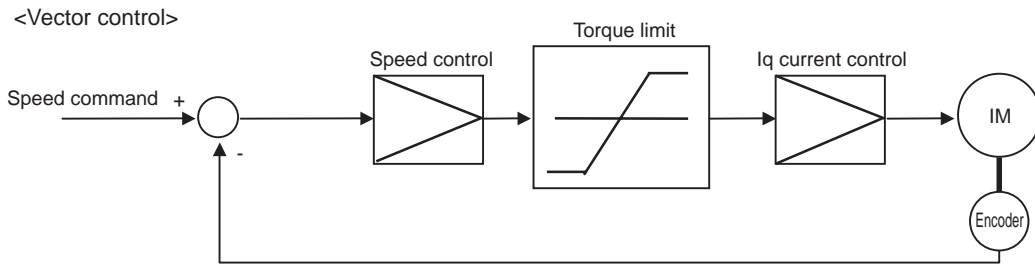
Parameter Number	Name	Initial Value	Setting Range	Description	
22	Stall prevention operation level (torque limit level)	150/200%*	0 to 400%	Set the torque limit level on the assumption that the rated torque is 100% * For the 00126 or less, the value changes from 150% to 200% when V/F control or advanced magnetic flux vector control is changed to real sensorless vector control or vector control.	
803	Constant power range torque characteristic selection	0	0	Constant motor output limit	Select the torque limit in the constant output region by torque limit setting.
			1	Constant torque limit	
810	Torque limit input method selection	0	0	Internal torque limit (torque limit by parameter settings)	
			1	External torque limit (torque limit by terminal 1, 4)	
811 *1	Set resolution switchover	0		Speed setting and running speed monitor increments from the PU, RS-485 communication or communication option.	Torque limit setting increments Pr. 22, Pr. 812 to Pr. 817
			0	1r/min	
			1	0.1r/min	0.01%
			10	1r/min	
11	0.1r/min				
812	Torque limit level (regeneration)	9999	0 to 400%	Set the torque limit level for forward rotation regeneration.	
			9999	Limit at the value of Pr. 22 or analog terminal	
813	Torque limit level (3rd quadrant)	9999	0 to 400%	Set the torque limit level for reverse rotation driving.	
			9999	Limit at the value of Pr. 22 or analog terminal	
814	Torque limit level (4th quadrant)	9999	0 to 400%	Set the torque limit level for reverse rotation regeneration.	
			9999	Limit at the value of Pr. 22 or analog terminal	
815	Torque limit level 2	9999	0 to 400%	When the torque limit selection (TL) signal is on, the Pr. 815 value is a torque limit value regardless of Pr. 810.	
			9999	Limit at the value of Pr. 22 or analog terminal	
816	Torque limit level during acceleration	9999	0 to 400%	Set the torque limit value during acceleration.	
			9999	Same torque limit as at constant speed	
817	Torque limit level during deceleration	9999	0 to 400%	Set the torque limit value during deceleration.	
			9999	Same torque limit as at constant speed	
858	Terminal 4 function assignment	0	0, 4, 9999	When "4" is set in, the torque limit can be changed with a signal to terminal 4.	
868	Terminal 1 function assignment	0	0, 2 to 5, 9999	When "4" is set in, the torque limit can be changed with a signal to terminal 1.	
874	OLT level setting	150%	0 to 200%	This function can make an alarm stop if the torque limit is activated to stall the motor. Set the output at which an alarm stop is made.	

*1 Setting can be made only when the FR-A7AP is mounted.

CAUTION

Under real sensorless vector control, the lower limit of torque limit level is set 30% if the value less than 30% is input.

(1) Torque limit block diagram

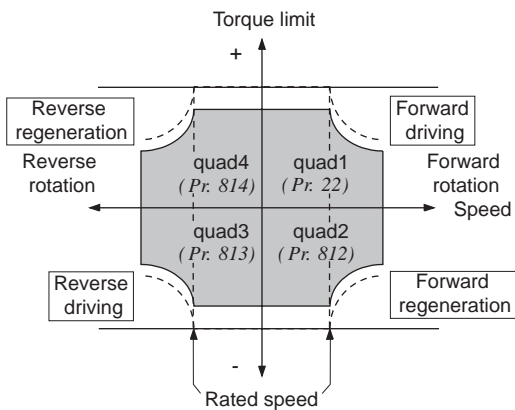


(2) Selection of torque limit input method (Pr. 810)

- Set Pr. 810 Torque limit input method selection to select the method to limit output torque during speed control. Torque limit by parameter setting is initially set.

Parameter Number	Setting Range	Torque Limit Input Method	Description
810	0 (initial value)	Internal torque limit	Parameter-set torque limit operation is performed. Changing the torque limit parameter value by communication enables torque limit to be input by communication.
	1	External torque limit	Torque limit using the analog voltage (current) from terminal 1 or terminal 4 is made valid.

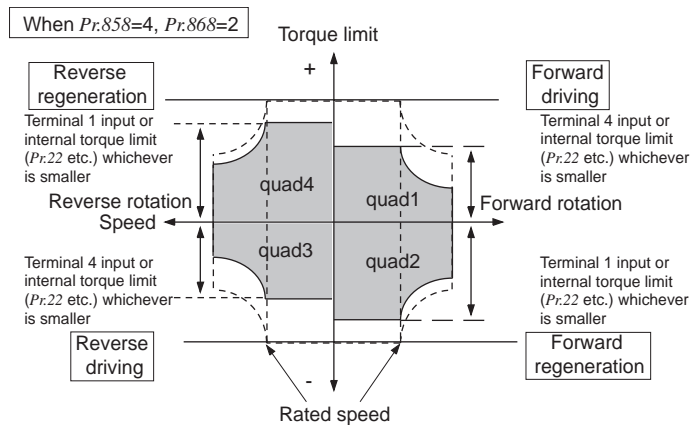
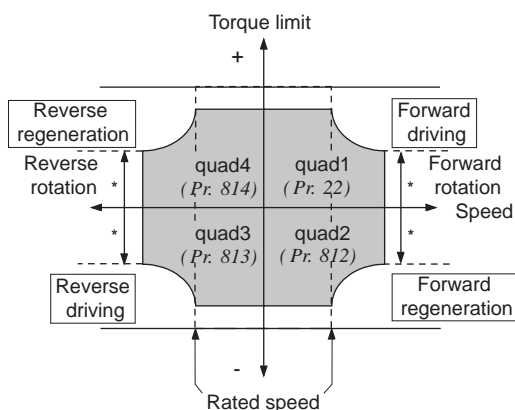
(3) Torque limit level by parameter setting (Pr. 810 = "0", Pr. 812 to Pr. 814)



- In the initial setting, limit is made on all quadrants on the Pr. 22 Stall prevention operation level (torque limit level).
- When you want to set the level on a quadrant basis, set the torque limit level in Pr. 812 Torque limit level (regeneration), Pr. 813 Torque limit level (3rd quadrant), Pr. 814 Torque limit level (4th quadrant).
When "9999" is set, Pr. 22 is the torque limit level.

(4) Torque limit level by analog input (terminal 1, 4) (Pr. 810 = "1", Pr. 858, Pr. 868)

- With the upper limit of torque limit as set in Pr. 22, the analog input from terminal 1 input is used as the torque limit value within the Pr. 22 setting range.
- When torque limit value is input from terminal 1, set "4" in Pr. 868 Terminal 1 function assignment. When torque limit value is input from terminal 4, set "4" in Pr. 858 Terminal 4 function assignment.
- When Pr. 858 = "4" and Pr. 868 = "2", torque is limited by analog input from terminal 1 for regeneration and by terminal 4 for driving.
- Torque limit by analog input can be calibrated using calibration parameter C16 (Pr. 919) to C19 (Pr. 920), C38 (Pr. 932) to C41 (Pr. 933). (Refer to page 282)



* Analog input (terminal 1, 4) or internal torque control (Pr. 22 etc.) whichever is smaller



● Terminal 1, 4 function according to control (— : without function)

Pr. 858 Setting *1	Pr. 868 Setting *2	Real Sensorless Vector Control (Speed Control)		
		Terminal 4 function	Terminal 1 function	
0 (initial value)	0 (initial value)	Speed command (AU signal-ON)	Speed setting auxiliary	
	1 *4		Magnetic flux command	
	2		—	
	3		—	
	4		Torque limit (Pr. 810 = 1)	
	5		—	
	6 *4		Torque bias (Pr. 840 = 1 to 3)	
	9999		—	
1 *4	0 (initial value)	Magnetic flux command	Speed setting auxiliary	
	1 *4	— *3	Magnetic flux command	
	2	Magnetic flux command	—	
	3		—	
	4		Torque limit (Pr. 810 = 1)	
	5		—	
	6 *4		Torque bias (Pr. 840 = 1 to 3)	
	9999		—	
4 *2	0 (initial value)		Torque limit (Pr. 810 = 1)	Speed setting auxiliary
	1 *4		Torque limit (Pr. 810 = 1)	Magnetic flux command
	2	Driving torque limit (Pr. 810 = 1)		
	3	Regenerative torque limit (Pr. 810 = 1)		
	4	— *3		
	5	Torque limit (Pr. 810 = 1)		
	6 *4	Torque bias (Pr. 840 = 1 to 3)		
	9999	—		
9999	—	—		—

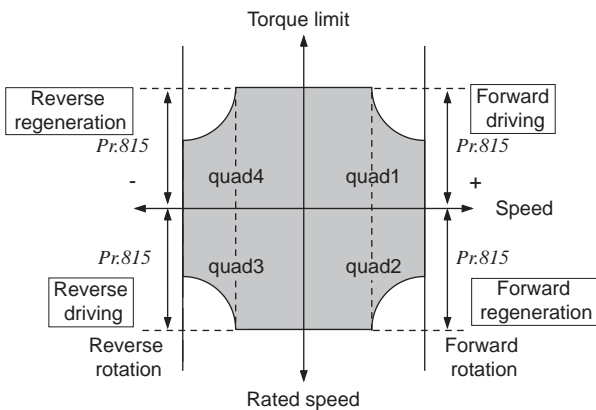
*1 When the Pr. 868 setting is other than "0", other functions of terminal 1 (auxiliary input, override function, PID control) do not function.

*2 When the Pr. 858 setting is other than "0", PID control and speed command from terminal 4 do not function even if the AU signal turns on.

*3 When "1" (magnetic flux command) or "4" (torque limit) is set in both Pr. 858 and Pr. 868, function of terminal 1 has higher priority and terminal 4 has no function.

*4 Setting is valid only when exercising vector control with the FR-A7AP.

(5) Second torque limit level (TL signal, Pr. 815)



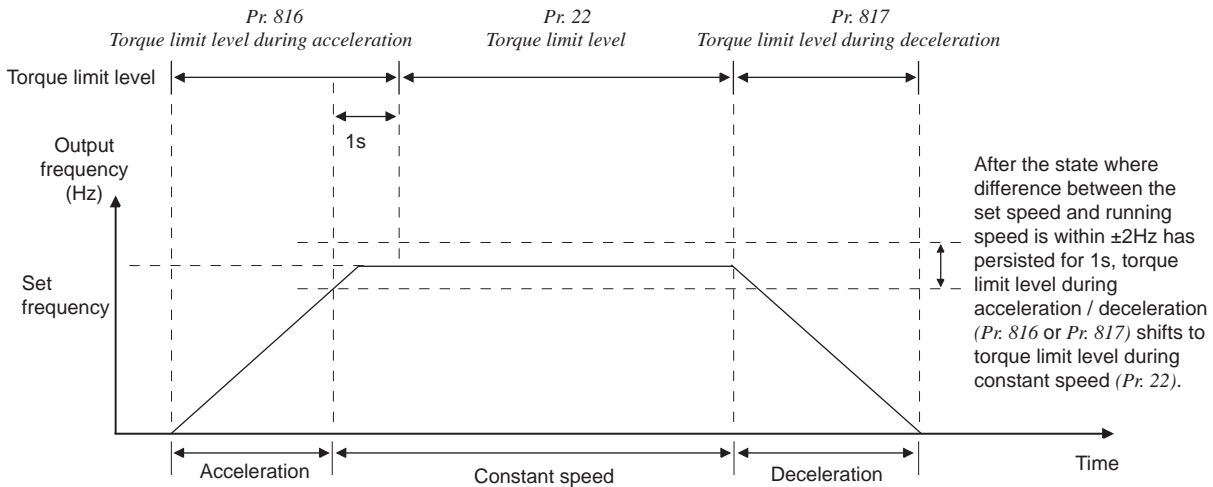
- For Pr. 815 Torque limit level 2, the Pr. 815 value is a torque limit value regardless of Pr. 810 Torque limit input method selection when the torque limit selection signal (TL) is on.
- Set "27" in Pr. 178 to Pr. 189 (input terminal function selection) to assign a function to the TL signal.

CAUTION

- Changing the terminal assignment using Pr. 178 to Pr. 189 (input terminal function selection) may affect the other functions. Please make setting after confirming the function of each terminal.

(6) Set a torque limit value during acceleration and deceleration individually (Pr. 816, Pr. 817)

- You can set torque limit during acceleration and deceleration individually. The following chart shows torque limit according to the settings of Pr. 816 Torque limit level during acceleration and Pr. 817 Torque limit level during deceleration.



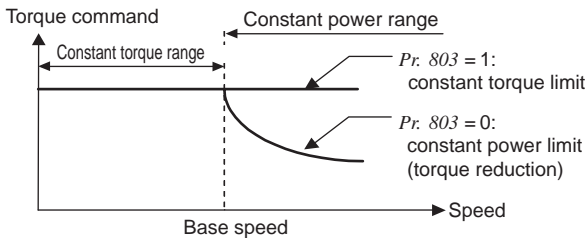
(7) Setting increments switchover of the torque limit level (Pr. 811)

- By setting "10, 11" in Pr. 811 Set resolution switchover, the setting increments of Pr. 22 Torque limit level and Pr. 812 to Pr. 817 (torque limit level) can be switched to 0.01%.

REMARKS

- The internal resolution of the torque limit is 0.024% ($100/2^{12}$) and the fraction less than the resolution is rounded off.
- When the torque limit setting increments have been changed (0.1% ↔ 0.01%), reset is necessary because the settings of Pr. 22 and Pr. 812 to Pr. 817 are multiplied by 1/10 (ten times). For example, when 10 (0.01%) set in Pr. 811 is changed to 1 (0.1%) with Pr. 22 = 150.00%, Pr. 22 = 1500.0% and the maximum torque is 400%.
- Refer to page 238 for switchover of speed setting increments.

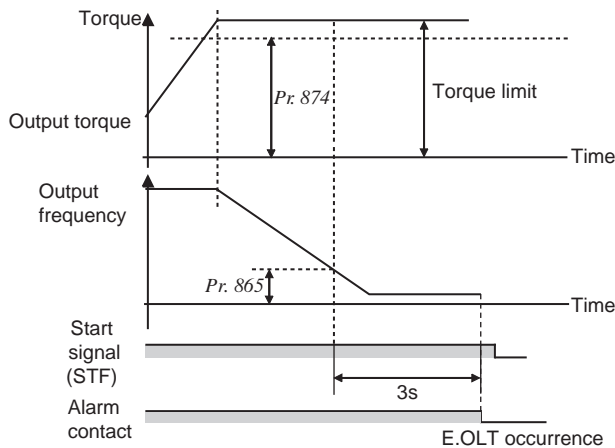
(8) Change the torque characteristics in the constant power range (Pr. 803)



- You can select whether the torque limit in the constant power range be constant torque limit (setting is "1") or constant power limit (initial setting is "0"), using Pr. 803 Constant power range torque characteristic selection under torque limit operation.



(9) Alarm stop when torque limit is activated (Pr. 874)



- This function can make an alarm stop if the torque limit is activated to stall the motor.
- The motor stalls if the torque limit is activated under a high load applied during speed control or position control. At this time, if the motor speed is lower than the speed set in *Pr. 865 Low speed detection* and also the output torque exceeds the level set in *Pr. 874 OLT level setting* for 3s, it is regarded as a stop effected by stall prevention and E. OLT is output, resulting in an alarm stop.

REMARKS

- If the frequency has fallen to 0.5Hz by stall prevention operation and remains for 3s under V/F control and advanced magnetic flux vector control, an alarm (E.OLT) appears to shutoff the inverter output. In this case, this function is activated regardless of *Pr. 874* .
- This alarm is not provided under torque control.

◆Parameters referred to◆

- *Pr. 22 Stall prevention operation level* Refer to page 142
- *Pr. 178 to Pr. 189 (input terminal function selection)* Refer to page 219
- *Pr. 840 Torque bias selection* Refer to page 106
- *Pr. 865 Low speed detection* Refer to page 233

4.4.4 To perform high accuracy/fast response operation (gain adjustment of real sensorless vector control and vector control) (Pr. 818 to Pr. 821, Pr. 830, Pr. 831, Pr. 880) Sensorless Vector

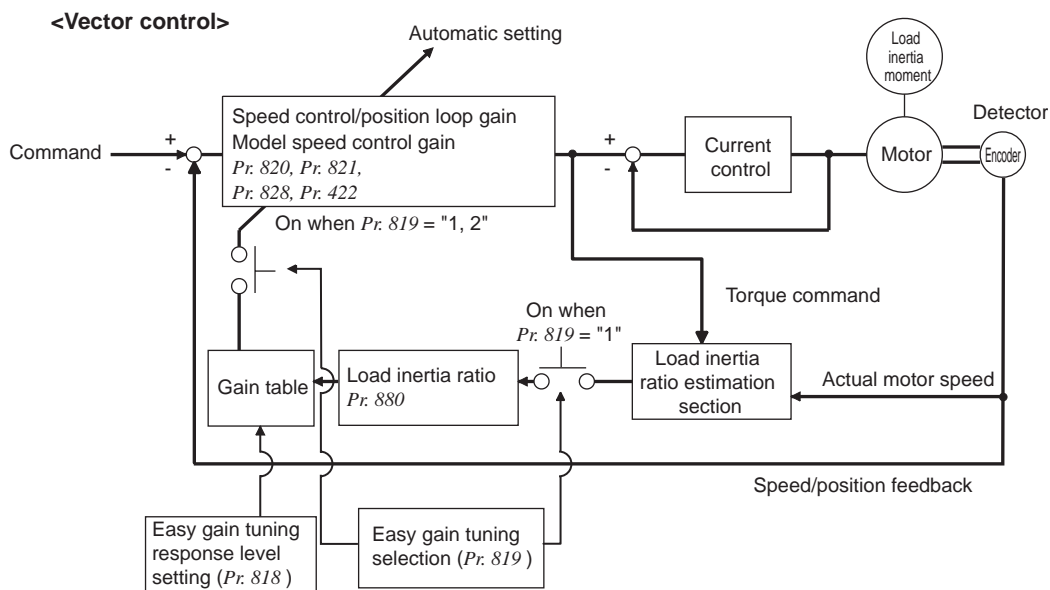
The ratio of the load inertia to the motor inertia (load inertia moment) is estimated in real time from the torque command and speed during motor operation by vector control. As optimum gain of speed control and position control are automatically set from the load inertia ratio and response level, time and effort of making gain adjustment are reduced. (Easy gain tuning)

When the load inertia ratio can not be estimated due to load fluctuation or real sensorless vector control is exercised, control gain is automatically set by manually inputting the load inertia ratio.

Make a manual input adjustment when vibration, noise or any other unfavorable phenomenon occurs due to large load inertia or gear backlash, for example, or when you want to exhibit the best performance that matches the machine.

Parameter Number	Name	Initial Value	Setting Range	Description
818	Easy gain tuning response level setting	2	1 to 15	Set the response level. 1: Slow response to 15: Fast response
819	Easy gain tuning selection	0	0	Without easy gain tuning
			1	With load estimation, with gain calculation (valid only during vector control)
			2	With load (Pr. 880) manual input, gain calculation
820	Speed control P gain 1	60%	0 to 1000%	Set the proportional gain for speed control. (Increasing the value improves trackability in response to a speed command change and reduces speed variation with disturbance.)
821	Speed control integral time 1	0.333s	0 to 20s	Set the integral time during speed control. (Decrease the value to shorten the time taken for returning to the original speed if speed variation with disturbance occurs.)
830	Speed control P gain 2	9999	0 to 1000%	Second function of Pr. 820 (valid when RT signal is on)
			9999	No function
831	Speed control integral time 2	9999	0 to 20s	Second function of Pr. 821 (valid when RT signal is on)
			9999	No function
880	Load inertia ratio	7 times	0 to 200 times	Set the load inertia ratio to the motor.

(1) Block diagram of easy gain tuning function





(2) Easy gain tuning execution procedure (Pr. 819 = "1" load inertia ratio automatic estimation)

Easy gain tuning (load inertia ratio automatic estimation) is valid only in the speed control or position control mode under vector control.

It is invalid under torque control, V/F control, advanced magnetic flux vector control and real sensorless vector control.

1) Set the response level using Pr. 818 Easy gain tuning response level setting.

Refer to the diagram on the right and set the response level.

Increasing the value will improve trackability to the command, but too high value will generate vibration. The relationship between the setting and response level are shown on the right.

Pr. 818 setting	1	2	3	4	5	6	7	8	9	10	11	12	13	14	15
Response level	Slow response			Middle response						Fast response					
Guideline of mechanical resonance frequency (Hz)	8	10	12	15	18	22	28	34	42	52	64	79	98	122	150

2) Each control gain is automatically set from the load inertia ratio estimated during acceleration/deceleration operation and the Pr. 818 Easy gain tuning response level setting value.

Pr. 880 Load inertia ratio is used as the initial value of the load inertia ratio for tuning. Estimated value is set in Pr. 880 during tuning.

The load inertia ratio may not be estimated well, e.g. it takes a long time for estimation, if the following conditions are not satisfied.

- Time taken for acceleration/deceleration to reach 1500r/min is 5s or less.
- Speed is 150r/min or more.
- Acceleration/deceleration torque is 10% or more of the rated torque.
- Abrupt disturbance is not applied during acceleration/deceleration.
- Load inertia ratio is approx. 30 times or less.
- No gear backlash nor belt looseness is found.

3) Press **(FWD)** or **(REV)** to estimate the load inertia ratio or calculate gain any time. (The operation command for external operation is the STF or STR signal.)

(3) Easy gain tuning execution procedure (Pr.819 = "2" load inertia manual input)

Easy gain tuning (load inertia ratio manual input) is valid only in the speed control mode under real sensorless vector control or in the speed control or position control mode under vector control.

1) Set the load inertia ratio to the motor in Pr. 880 Load inertia ratio.

2) Set "2" (with easy gain tuning) in Pr. 819 Easy gain tuning selection. Then, Pr. 820 Speed control P gain 1 and Pr. 821 Speed control integral time 1 are automatically set by gain calculation. Operation is performed in a gain adjusted status from the next operation.

3) Perform a test run and set the response level in Pr. 818 Easy gain tuning response level setting. Increasing the value will improve trackability to the command, but too high value will generate vibration. (When "2" (parameter write enabled during operation) is set in Pr. 77 Parameter write selection, response level adjustment can be made during operation.)

REMARKS

- When "1 or 2" is set in Pr. 819 and then returned the Pr. 819 setting to "0" after tuning is executed, tuning results which are set in each parameter remain unchanged.
- When good tuning accuracy is not obtained after executing easy gain tuning due to disturbance and such, perform fine adjustment by manual input. Set "0" (without easy gain tuning) in Pr. 819.

(4) Parameters automatically set by easy gain tuning

The following table indicates the relationship between easy gain tuning function and gain adjustment parameter.

	Easy Gain Tuning Selection (Pr. 819) Setting		
	0	1	2
Load inertia ratio (Pr. 880)	Manual input	a) Inertia estimation result (RAM) by easy gain tuning is displayed. b) Set the value in the following cases: <ul style="list-style-type: none"> • Every hour after power-on • When a value other than "1" is set in Pr. 819 • When vector control is changed to other control (V/F control etc.) using Pr. 800 c) Write is enabled only during a stop (manual input)	Manual input
Speed control P gain 1 (Pr. 820) Speed control integral time 1 (Pr. 821) Model speed control gain (Pr. 828) Position loop gain (Pr. 422)	Manual input	a) Tuning result (RAM) is displayed. b) Set the value in the following cases: <ul style="list-style-type: none"> • Every hour after power-on • When a value other than "1" is set in Pr. 819 • When vector control is changed to other control (V/F control etc.) using Pr. 800 c) Write (manual input) disabled	a) Gain is calculated when "2" is set in Pr. 819 and the result is set in the parameter. b) When the value is read, the tuning result (parameter setting value) is displayed. c) Write (manual input) disabled

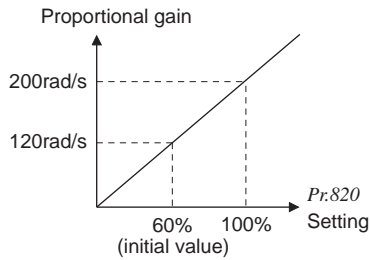
CAUTION

- Performing easy gain tuning with larger inertia than the specified value during vector control may cause malfunction such as hunting. In addition, when the motor shaft is fixed with servo lock or position control, bearing may be damaged. To prevent these, make gain adjustment by manual input without performing easy gain tuning.



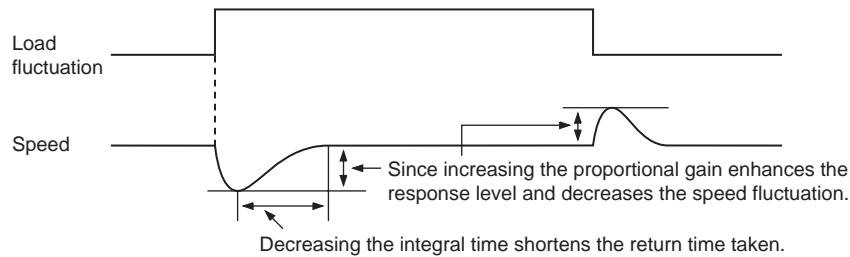
(5) Manual input speed control gain adjustment

- Make adjustment when any of such phenomena as unusual machine vibration/noise, low response level and overshoot has occurred.



- *Pr. 820 Speed control P gain 1 = "60%"* (initial value) is equivalent to 120rad/s (speed response of the motor alone). Increasing the setting value improves the response level, but a too large gain will produce vibration and/or unusual noise.
- Decreasing the *Pr. 821 Speed control integral time 1* shortens the return time taken at a speed change. However, a too short time will generate an overshoot.

- When there is load inertia, the actual speed gain is as given below.



Also, when there is load inertia, the actual speed gain decreases as indicated below.

$$\text{Actual speed gain} = \text{speed gain of motor without load} \times \frac{JM}{JM+JL} \quad \begin{array}{l} JM: \text{ Inertia of the motor} \\ JL: \text{ Motor shaft-equivalent load inertia} \end{array}$$

- Adjustment procedures are as below:

- 1) Check the conditions and simultaneously change the *Pr. 820* value.
- 2) If you cannot make proper adjustment, change the *Pr. 821* value and repeat step 1).

No.	Phenomenon/ Condition	Adjustment Method
1	Load inertia is large	Set the <i>Pr. 820</i> and <i>Pr. 821</i> values a little higher.
		<i>Pr. 820</i> When a speed rise is slow, increase the value 10% by 10% until just before vibration/noise is produced, and set about 0.8 to 0.9 of that value.
		<i>Pr. 821</i> If an overshoot occurs, double the value until an overshoot does not occur, and set about 0.8 to 0.9 of that value.
2	Vibration/noise generated from mechanical system	Set the <i>Pr. 820</i> value a little lower and the <i>Pr. 821</i> value a little higher.
		<i>Pr. 820</i> Decrease the value 10% by 10% until just before vibration/noise is not produced, and set about 0.8 to 0.9 of that value.
		<i>Pr. 821</i> If an overshoot occurs, double the value until an overshoot does not occur, and set about 0.8 to 0.9 of that value.
3	Slow response	Set the <i>Pr. 820</i> value a little higher.
		<i>Pr. 820</i> When a speed rise is slow, increase the value 5% by 5% until just before vibration/noise is produced, and set about 0.8 to 0.9 of that value.
4	Long return time (response time)	Set the <i>Pr. 821</i> value a little lower.
		Decrease the <i>Pr. 821</i> value by half until just before an overshoot or the unstable phenomenon does not occur, and set about 0.8 to 0.9 of that value.
5	Overshoot or unstable phenomenon occurs.	Set the <i>Pr. 821</i> value a little higher.
		Increase the <i>Pr. 821</i> value double by double until just before an overshoot or the unstable phenomenon does not occur, and set about 0.8 to 0.9 of that value.

REMARKS

- When making manual input gain adjustment, set "0" (without easy gain tuning) (initial value) in *Pr. 819 Easy gain tuning selection*.
- *Pr. 830 Speed control P gain 2* and *Pr. 831 Speed control integral time 2* are made valid when the RT terminal is switched on. Make adjustments in the same way as *Pr. 820* and *Pr. 821*.

(6) When using a multi-pole motor (8 poles or more)

Specially when using a multi-pole motor with more than 8 poles under vector control (with encoder, real sensorless), adjust speed control P gain (Pr. 820) and torque control P gain (Pr. 824) according to the motor referring to the following methods.

- For speed control P gain Pr. 820, increasing the setting value improves the response level, but a too large gain will produce vibration and/or unusual noise.
- For torque control P gain Pr. 824, note that a too low value will produce current ripples, causing the motor to generate sound synchronizing the cycle of current ripples.

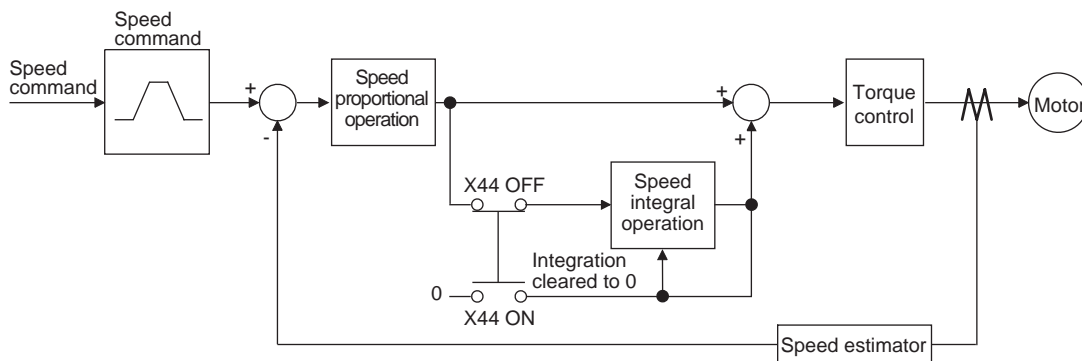
Adjustment method

No.	Phenomenon/Condition	Adjustment Method
1	The motor rotation is unstable in the low speed range.	Set a higher value in Pr. 820 Speed control P gain 1 according to the motor inertia. Since the self inertia of a multi-pole motor tends to become large, make adjustment to improve the unstable phenomenon, then make fine adjustment in consideration of the response level using that setting as reference. In addition, when performing vector control with encoder, gain adjustment according to the inertia can be easily done using easy gain tuning (Pr. 819 = 1).
2	Speed trackability is poor	Set a higher value in Pr. 820 Speed control P gain 1.
3	Speed variation at the load fluctuation is large	Increase the value 10% by 10% until just before vibration or unusual noise is produced, and set about 0.8 to 0.9 of that value. If you cannot make proper adjustment, increase the value of Pr. 821 Speed control integral time 1 double by double and make adjustment of Pr. 820 again.
4	Torque becomes insufficient or torque ripple occurs at starting or in the low speed range under real sensorless vector control.	Set the speed control gain a little higher. (same as No. 1) If the problem still persists after gain adjustment, increase Pr. 13 Starting frequency or set the acceleration time shorter if the inverter is starting to avoid continuous operation in the ultra low speed range.
5	Unusual motor and machine vibration, noise or overcurrent occurs.	Set a lower value in Pr. 824 Torque control P gain 1.
6	Overcurrent or overspeed (E.OS) occurs at a start under real sensorless vector control.	Decrease the value 10% by 10% until just before the phenomenon is improved, and set about 0.8 to 0.9 of that value.

(7) P/P1 switchover (X44 signal)

- By turning the P/PI control switching signal (X44) on/off during speed control operation under real sensorless vector control or vector control, you can select whether to add the integral time (I) or not when performing gain adjustment with P gain and integral time.
When the X44 signal is off PI control
When the X44 signal is on P control
- For the terminal used for X44 signal input, set "44" in any of Pr. 178 to Pr. 189 (input terminal function selection) to assign the function.

[Function block diagram]

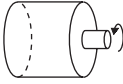
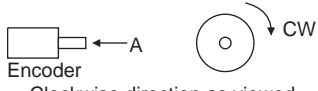
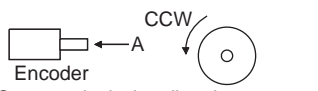
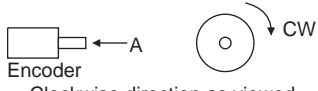
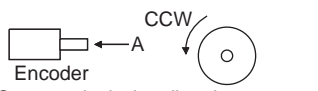
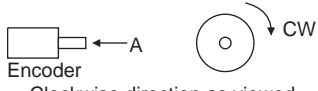
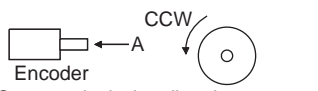


CAUTION

- Changing the terminal assignment using Pr. 178 to Pr. 189 (input terminal function selection) may affect the other functions. Make setting after confirming the function of each terminal.



(8) Troubleshooting (speed)

	Phenomenon	Cause	Countermeasures						
1	Motor does not rotate. (Vector control)	(1) The motor wiring is wrong (2) Encoder specifications (encoder specification selection switch FR-A7AP) are wrong (3) The encoder wiring is wrong. (4) The Pr. 369 Number of encoder pulses setting and the number of encoder used are different. (5) Encoder power specifications are wrong. Or, power is not input.	(1) Wiring check Select V/F control (Pr.800 = 20) and check the rotation direction of the motor. Check the speed monitor output from output terminal CA. For the FR-V5RU, set "340V" for 3.7kW or less and "320V" for more in Pr. 19 Base frequency voltage, and set "50Hz" in Pr. 3 Base frequency. When the forward rotation signal is input, the motor running in the counterclockwise direction as viewed from the motor shaft is normal. (If it runs in the clockwise direction, the phase sequence of the inverter secondary side wiring is incorrect.)  (2) Check the encoder specifications. Check the encoder specifications selection switch (FR-A7AP) of differential/complimentary (3) Check that FWD is displayed when running the motor in the counter-clockwise direction from outside during a stop of the inverter with vector control setting. If REV is displayed, the encoder phase sequence is wrong. Perform the correct wiring or match the Pr. 359 Encoder rotation direction. <table border="1" data-bbox="911 943 1458 1330"> <thead> <tr> <th>Pr. 359 Setting</th> <th>Relationship between the Motor and Encoder</th> </tr> </thead> <tbody> <tr> <td>0</td> <td>  <p>Clockwise direction as viewed from A is forward rotation</p> </td> </tr> <tr> <td>1 (Initial value)</td> <td>  <p>Counter clockwise direction as viewed from A is forward rotation</p> </td> </tr> </tbody> </table> (4) The motor will not run if the parameter setting is smaller than the number of encoder pulses used. Set the Pr. 369 Number of encoder pulses correctly. (5) Check the power specifications (5V/12V/15V/24V) of encoder and input the external power supply.	Pr. 359 Setting	Relationship between the Motor and Encoder	0	 <p>Clockwise direction as viewed from A is forward rotation</p>	1 (Initial value)	 <p>Counter clockwise direction as viewed from A is forward rotation</p>
Pr. 359 Setting	Relationship between the Motor and Encoder								
0	 <p>Clockwise direction as viewed from A is forward rotation</p>								
1 (Initial value)	 <p>Counter clockwise direction as viewed from A is forward rotation</p>								
2	Motor does not run at correct speed. (Speed command does not match actual speed)	(1) The speed command from the command device is incorrect. The speed command is compounded with noise. (2) The speed command value does not match the inverter-recognized value. (3) The number of encoder pulses setting is incorrect.	(1) Check that a correct speed command comes from the command device. Decrease Pr. 72 PWM frequency selection. (2) Readjust speed command bias/gain Pr. 125, Pr. 126, C2 to C7 and C12 to C15. (3) Check the setting of Pr. 369 Number of encoder pulses. (vector control)						
3	Speed does not rise to the speed command.	(1) Insufficient torque. Torque limit is actuated. (2) Only P (proportional) control is selected.	(1) -1 Increase the torque limit value. (Refer to torque limit of speed control on page 92) (1) -2 Insufficient capacity (2) When the load is heavy, speed deviation will occur under P (proportional) control. Select PI control.						

	Phenomenon	Cause	Countermeasures
4	Motor speed is unstable.	(1) The speed command varies. (2) Insufficient torque. (3) The speed control gains do not match the machine. (mechanical resonance)	(1) -1 Check that a correct speed command comes from the command device. (Take measures against noises.) (1) -2 Decrease <i>Pr. 72 PWM frequency selection</i> . (1) -3 Increase <i>Pr. 822 Speed setting filter 1</i> . (Refer to page 276) (2) Increase the torque limit value. (Refer to torque limit of speed control on page 92) (3) -1 Perform easy gain tuning. (Refer to page 98) (3) -2 Adjust <i>Pr. 820, Pr. 821</i> . (Refer to page 100) (3) -3 Perform speed feed forward/model adaptive speed control.
5	Motor or machine hunts (vibration/noise is produced).	(1) The speed control gain is high. (2) The torque control gain is high. (3) The motor wiring is wrong.	(1) -1 Perform easy gain tuning. (Refer to page 98) (1) -2 Decrease <i>Pr. 820</i> and increase <i>Pr. 821</i> . (1) -3 Perform speed feed forward control and model adaptive speed control. (2) Decrease the <i>Pr. 824</i> value. (Refer to page 120) (3) Check the wiring
6	Acceleration/deceleration time does not match the setting.	(1) Insufficient torque. (2) Large load inertia.	(1) -1 Increase the torque limit value. (Refer to torque limit of speed control on page 92) (1) -2 Perform speed feed forward control. (2) Set the acceleration/deceleration time that meets the load.
7	Machine operation is unstable	(1) The speed control gains do not match the machine. (2) Slow response because of improper acceleration/ deceleration time of the inverter.	(1) -1 Perform easy gain tuning. (Refer to page 98) (1) -2 Adjust <i>Pr. 820, Pr. 821</i> . (Refer to page 100) (1) -3 Perform speed feed forward control and model adaptive speed control. (2) Change the acceleration/deceleration time to an optimum value.
8	Speed fluctuates at low speed.	(1) Adverse effect of high carrier frequency. (2) Low speed control gain.	(1) Decrease <i>Pr. 72 PWM frequency selection</i> . (2) Increase <i>Pr. 820 Speed control P gain 1</i> .

4.4.5 Speed feed forward control, model adaptive speed control (Pr. 828, Pr. 877 to Pr. 881) Sensorless Vector

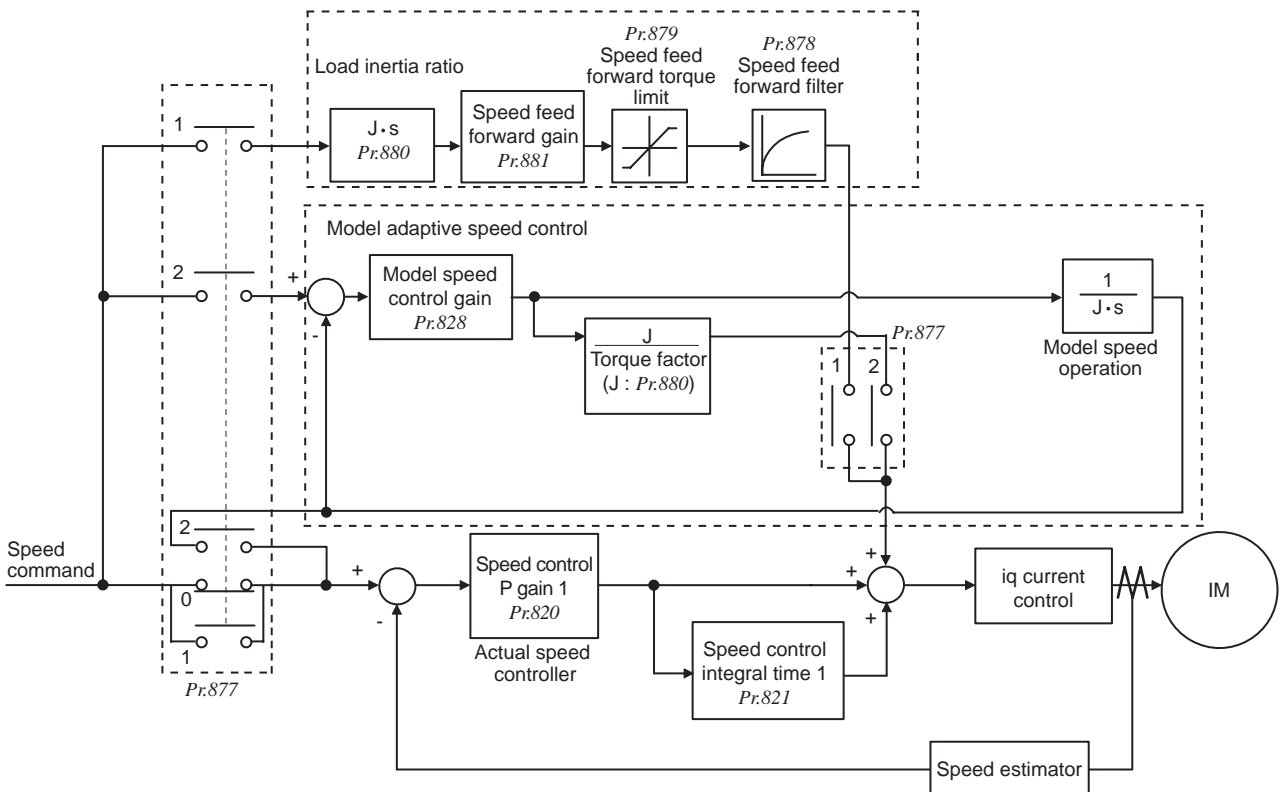
- By making parameter setting, select the speed feed forward control or model adaptive speed control. The speed feed forward control enhances the trackability of the motor in response to a speed command change. The model adaptive speed control enables individual adjustment of speed trackability and motor disturbance torque response.

Parameter Number	Name	Initial Value	Setting Range	Description
828	Model speed control gain	60%	0 to 1000%	Set the gain for model speed controller.
877	Speed feed forward control/model adaptive speed control selection	0	0	Normal speed control is exercised.
			1	Speed feed forward control is exercised.
			2	Model adaptive speed control is enabled.
878	Speed feed forward filter	0s	0 to 1s	Set the primary delay filter for the speed feed forward result calculated using the speed command and load inertia ratio.
879	Speed feed forward torque limit	150%	0 to 400%	Limits the maximum value of the speed feed forward torque.
880	Load inertia ratio	7 times	0 to 200 times	Set the load inertia ratio to the motor.
881	Speed feed forward gain	0%	0 to 1000%	Set the feed forward calculation result as a gain.

POINT

When model adaptive speed control is selected, the data obtained from easy gain tuning is used for Pr. 828 Model speed control gain. Perform easy gain tuning also (simultaneously). (Refer to page 98)

(1) Block diagram



(2) Speed feed forward control (Pr. 877 = "1")

- Calculate required torque in response to the acceleration/deceleration command for the inertia ratio set in Pr. 880 and generate torque immediately.
- When the speed feed forward gain is 100%, the calculation result of the speed feed forward is reflected as-is.
- If the speed command changes suddenly, large torque is generated due to the speed feed forward calculation. The maximum value of the speed feed forward is limited using Pr. 879 .
- Using Pr.878, the speed feed forward result can be dulled by the primary delay filter.

(3) Model adaptive speed control (Pr. 877 = "2")

- The motor's model speed is calculated to feed back the model side speed controller. This model speed is also used as the actual speed controller command.
- The inertia ratio in Pr. 880 is used for calculation of the torque current command value given by the model side speed controller.
- The torque current command value of the model side speed controller is added to the output of the actual speed controller, and the result is used as the iq current control input.
Pr. 828 is used for model side speed control (P control), and the first gain in Pr. 820 is used for the actual speed controller. The model adaptive speed control is valid for the first motor only.
- When Pr. 877 = 2, switching to the second motor handles the second motor as Pr. 877 = 0.

CAUTION

The adequate gain value for the model and actual loop parts are set according to the response setting of easy gain tuning under model adaptive speed control. To increase the response level, the Pr. 818 Easy gain tuning response level setting needs to be changed (increased).

(4) Combination of easy gain tuning

The following table indicates the relationships between the speed feed forward/model adaptive speed control and easy gain tuning function.

	Easy Gain Tuning Selection (Pr. 819) Setting		
	0	1	2
Load inertia ratio (Pr. 880)	Manual input	Inertia ratio estimation value found by easy gain tuning is displayed. Manual input enabled only during a stop.	Manual input
Speed control P gain 1 (Pr. 820)	Manual input	Tuning results are displayed. Write disabled	Tuning results are displayed. Write disabled
Speed control integral time 1 (Pr. 821)	Manual input	Tuning results are displayed. Write disabled	Tuning results are displayed. Write disabled
Model speed control gain (Pr. 828)	Manual input	Tuning results are displayed. Write disabled	Tuning results are displayed. Write disabled
Speed feed forward gain (Pr. 881)	Manual input	Manual input	Manual input

◆Parameters referred to◆

Pr. 820 Speed control P gain 1, Pr. 830 Speed control P gain 2 Refer to page 97
Pr. 821 Speed control integral time 1, Pr. 831 Speed control integral time 2 Refer to page 97



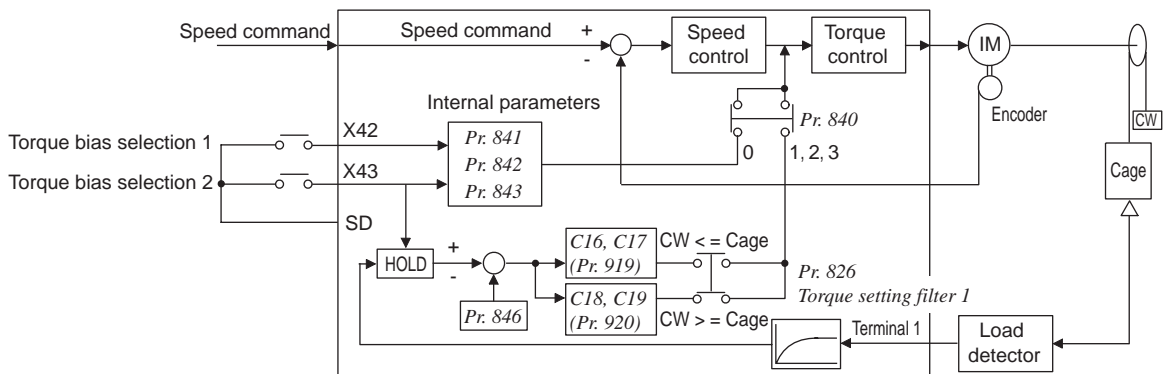
4.4.6 Torque biases (Pr. 840 to Pr. 848) Vector

This function accelerates the rise of the torque at a start. Adjust the torque at a motor start using the contact signals or analog signals.

Parameter Number	Name	Initial Value	Setting Range	Description
840	Torque bias selection	9999	0	Set the torque bias amount with the contact signal (X42, X43) using Pr. 841 to Pr. 843.
			1	Set the terminal 1-based torque bias amount as desired in C16 to C19. (in the case a cage goes up when a motor runs reversely)
			2	Set the terminal 1-based torque bias amount as desired in C16 to C19. (in the case a cage goes up when a motor runs forward)
			3	The terminal 1-based torque bias amount can be set automatically in C16 to C19, Pr. 846 according to the load.
			9999	Without torque bias, rated torque 100%
841	Torque bias 1	9999	600 to 999%	Negative torque bias amount (-400% to -1%)
842	Torque bias 2		1000 to 1400%	Positive torque bias amount (0% to 400%)
843	Torque bias 3		9999	Without torque bias setting
844	Torque bias filter	9999	0 to 5s	Time until torque rises.
			9999	Same operation as when 0s is set.
845	Torque bias operation time	9999	0 to 5s	Time for maintaining torque equivalent to the torque bias amount.
			9999	Same operation as when 0s is set.
846	Torque bias balance compensation	9999	0 to 10V	Set the voltage under balanced load.
			9999	Same operation as when 0V is set.
847	Fall-time torque bias terminal 1 bias	9999	0 to 400%	Set the bias value of the torque command.
			9999	Same as at a rise time (C16, C17 (Pr. 919)).
848	Fall-time torque bias terminal 1 gain	9999	0 to 400%	Set the gain value of the torque command.
			9999	Same as at a rise time (C18, C19 (Pr. 920)).

The above parameters can be set when the FR-A7AP (option) is mounted.

(1) Block diagram



(2) Setting torque bias amount with the contact input (Pr. 840 = "0")

- Select the torque bias amount in the table below according to the combination of contact signals.
- Set "42" in Pr. 178 to Pr. 189 (input terminal function selection) for the terminal used for X42 signal input and set "43" for the terminal used for X43 signal input to assign functions.

Torque Bias Selection 1 (X42)	Torque Bias Selection 2 (X43)	Torque Bias Amount
OFF	OFF	0%
ON	OFF	Pr. 841 -400% to +400% (setting value : 600 to 1400%)
OFF	ON	Pr. 842 -400% to +400% (setting value : 600 to 1400%)
ON	ON	Pr. 843 -400% to +400% (setting value : 600 to 1400%)

Example) when Pr. 841 = 1025, 25% when Pr. 842 = 975, -25% when Pr. 843 = 925, -75%

CAUTION

Changing the terminal assignment using Pr. 178 to Pr. 189 (input terminal function selection) may affect the other functions. Make setting after confirming the function of each terminal.

(3) Setting torque bias amount with terminal 1 (Pr. 840 = "1, 2")

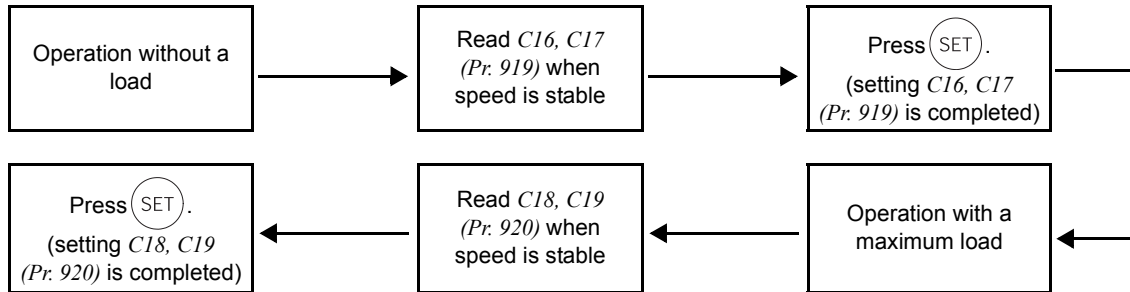
- Calculate torque bias from the load input from terminal 1 as shown in the diagram below and provide torque bias.
- When torque bias amount is set from terminal 1, set "6" in Pr. 868 Terminal 1 function assignment .

Pr. 840 Setting	Rise (Motor Forward Rotation)	Fall (Motor Reverse Rotation)
1	<p>Bias amount</p> <p>Torque command terminal 1 gain C18, C19(Pr. 920)</p> <p>Terminal 1 input</p> <p>Torque command terminal 1 bias C16, C17(Pr. 919)</p> <p>Voltage for max. load</p> <p>Voltage for balanced load Pr. 846</p>	<p>Bias amount</p> <p>Fall-time torque bias terminal 1 gain Pr. 848</p> <p>Terminal 1 input</p> <p>Fall-time torque bias terminal 1 bias Pr. 847</p> <p>Voltage for max. load</p> <p>Voltage for balanced load Pr. 846</p>
2	<p>Bias amount</p> <p>Torque command terminal 1 gain C18, C19(Pr. 920)</p> <p>Terminal 1 input</p> <p>Torque command terminal 1 bias C16, C17(Pr. 919)</p> <p>Voltage for balanced load Pr. 846</p> <p>Voltage for max. load</p>	<p>Bias amount</p> <p>Fall-time torque bias terminal 1 gain Pr. 848</p> <p>Terminal 1 input</p> <p>Fall-time torque bias terminal 1 bias Pr. 847</p> <p>Voltage for balanced load Pr. 846</p> <p>Voltage for max. load</p>

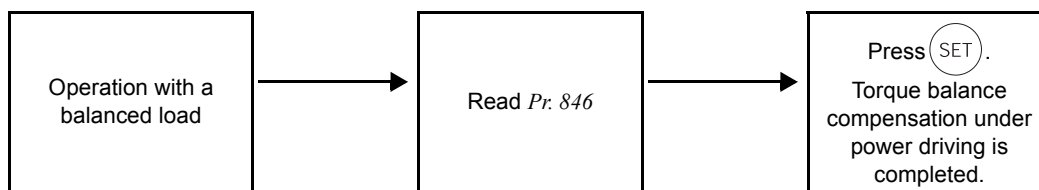


(4) Setting torque bias amount with terminal 1 (Pr. 840 = "3")

- C16 Terminal 1 bias command (torque/magnetic flux), C17 Terminal 1 bias (torque/magnetic flux), C18 Terminal 1 gain command (torque/magnetic flux), C19 Terminal 1 gain (torque/magnetic flux), and Pr. 846 Torque bias balance compensation can be set automatically according to the load.
- When torque command is set from terminal 1, set "6" in Pr. 868 Terminal 1 function assignment.
- Setting C16, C17 (Pr. 919), C18, C19 (Pr. 920)



- Setting Pr. 846

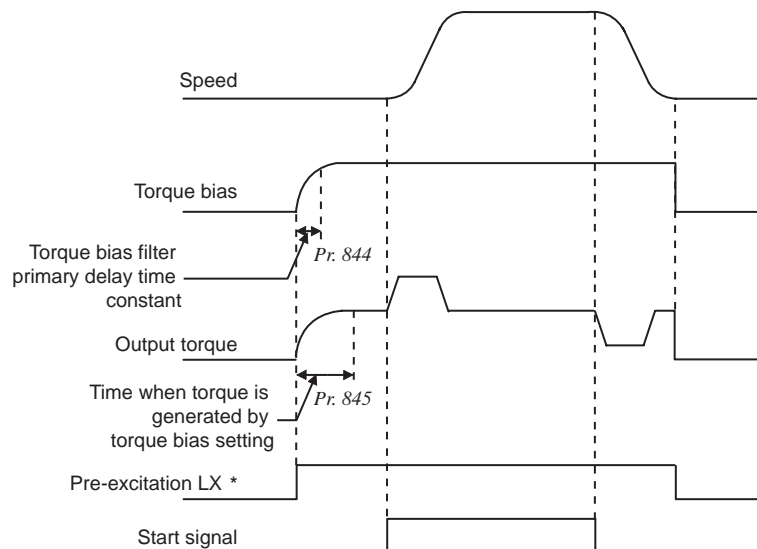


CAUTION

When starting torque bias operation after completion of automatic setting, set "1 or 2" in Pr. 840.

(5) Torque bias operation

- When a value other than 9999 is set in Pr. 844 Torque bias filter, you can slow the rise of torque. At this time, the torque rises according to the time constant of the primary delay filter.
- Set the time for output torque be maintained with the torque bias command value alone in Pr. 845 Torque bias operation time.



* When pre-excitation is not made, the torque bias functions simultaneously with the start signal.

CAUTION

- When torque bias is made valid and "6" is set in Pr. 868, terminal 1 serves as torque command not as frequency setting auxiliary. When override compensation is set by Pr. 73 and terminal 1 acts as main speed, no main speed (main speed = 0Hz) is selected.
- Changing the terminal assignment using Pr. 178 to Pr. 189 (input terminal function selection) may affect the other functions. Make setting after confirming the function of each terminal.

Reference parameters

- Pr. 73 Analog input selection Refer to page 271.
- Pr. 178 to Pr. 189 (input terminal function selection) Refer to page 219.
- C16 to C19 (torque setting voltage (current) bias and gain) Refer to page 282.

4.4.7 Prevent the motor from overrunning (Pr. 285, Pr. 853, Pr. 873) Vector

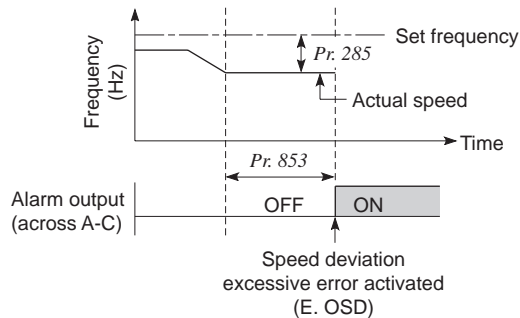
This function prevents the motor from overrunning when the load torque is too large and incorrect number of encoder is set.

Parameter Number	Name	Initial Value	Setting Range	Description
285	Excessive speed deviation detection frequency *1	9999	9999	Without speed deviation excessive
			0 to 30Hz	If the difference (absolute value) between the speed command value and actual speed during speed control under vector control exceeds the Pr. 285 Excessive speed deviation detection frequency for more than the time set in Pr. 853 Speed deviation time, speed deviation excessive occurs and inverter error (E. OSD) appears, resulting in a stop.
853 *2	Speed deviation time	1.0s	0 to 100s	
873 *2	Speed limit	20Hz	0 to 120Hz	Frequency is limited at the set frequency + Pr. 873.

*1 Acts as Overspeed detection frequency under encoder feed back operation. (Refer to page 205)
 *2 This parameter can be set when the FR-A7AP (option) is mounted.

(1) Speed deviation excessive (Pr. 285, Pr. 853)

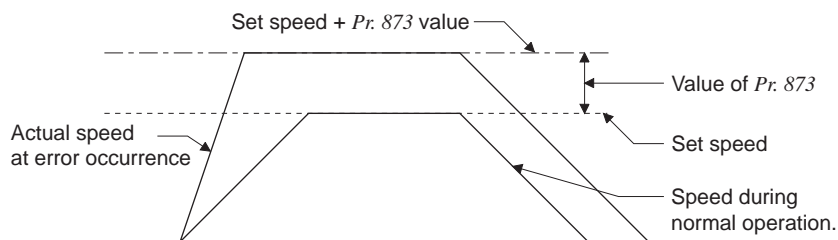
When the deviation between the set frequency and actual speed is large, e.g. too large load torque, this function can cause the inverter to provide a speed deviation excessive alarm (E.OSD) and come to an alarm stop.



(2) Speed limit (Pr. 873)

This function prevents the motor from overrunning when the setting of number of encoder pulses and the actual number differ.

When the setting of number of encoder pulses is smaller than the actual number, the motor may increase its speed. To prevent this, restrict the output frequency with frequency (obtained by adding the set frequency and Pr. 873).



CAUTION

- If automatic restart after instantaneous power failure (Pr. 57 ≠ 9999) is selected when the setting of number of encoder pulses is smaller than the actual number, the output speed is limited with the synchronous speed obtained by adding the maximum setting (Pr. 1) and Pr. 873 setting.
 - When speed limit function is activated due to regenerative torque limit, output torque may suddenly decrease. In addition, output phase error (E.LF) may occur when speed limit function is activated during pre-excitation.
- When the setting of number of encoder pulses are correct, it is recommended to set a maximum value (120Hz) in Pr. 873.

Reference parameters

Pr. 285 Overspeed detection frequency Refer to page 205.



4.4.8 Notch filter (Pr. 862, Pr. 863) Sensorless Vector

You can reduce the response level of speed control in the resonance frequency band of the mechanical system to avoid mechanical resonance.

Parameter Number	Name	Initial Value	Setting Range	Description
862	Notch filter time constant	0	0 to 60	Refer to the following table
863	Notch filter depth	0	0 to 3	0 (deep) → 3 (sharrow)

(1) Pr. 862 Notch filter time constant

- If you do not know the mechanical resonance frequency, decrease notch frequency gradually from the highest value. The point at which the smallest vibration is generated is the notch frequency setting.
- Machine characteristic can be obtained beforehand with machine analyzer by FR-Configurator. Necessary notch frequency can be determined from this.

Setting	0	1	2	3	4	5	6	7	8	9
Frequency	Invalid	1000	500	333.3	250	200	166.7	142.9	125	111.1
Setting	10	11	12	13	14	15	16	17	18	19
Frequency	100	90.9	83.3	76.9	71.4	66.7	62.5	58.8	55.6	52.6
Setting	20	21	22	23	24	25	26	27	28	29
Frequency	50	47.6	45.5	43.5	41.7	40	38.5	37	35.7	34.5
Setting	30	31	32	33	34	35	36	37	38	39
Frequency	33.3	32.3	31.3	30.3	29.4	28.6	27.8	27.0	26.3	25.6
Setting	40	41	42	43	44	45	46	47	48	49
Frequency	25.0	24.4	23.8	23.3	22.7	22.2	21.7	21.3	20.8	20.4
Setting	50	51	52	53	54	55	56	57	58	59
Frequency	20.0	19.6	19.2	18.9	18.5	18.2	17.9	17.5	17.2	16.9
Setting	60									
Frequency	16.7									

(2) Pr. 863 Notch filter depth

- The notch filter with deeper depth has an effect on minimizing mechanical resonance. However, large vibration may be generated adversely due to substantial phase delay. Make adjustment of notch depth in order of the shallower depth.

Setting	3	2	1	0
Depth	Sharrow	→	←	Deep
Gain	-4dB	-8dB	-14dB	-40dB

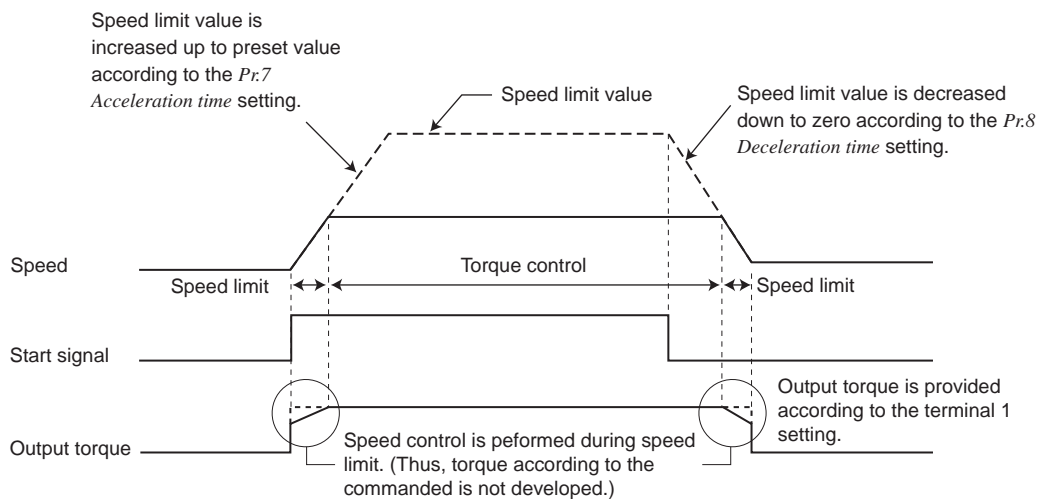
4.5 Torque control by real sensorless vector control, vector control

Purpose	Parameter that must be Set		Refer to Page
Selection of torque command source and setting of torque command value	Torque command	Pr. 803 to Pr. 806	115
Prevent the motor overspeed	Speed limit	Pr. 807 to Pr. 809	117
Improve torque control accuracy	Gain adjustment for torque control	Pr. 824, Pr. 825, Pr. 834, Pr. 835	120
Stabilize the torque detection signal	Torque detection filter	Pr. 827, Pr. 837	134

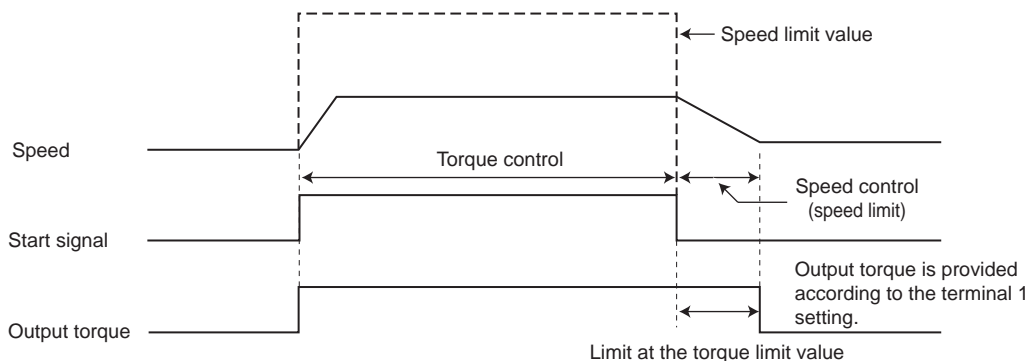
4.5.1 Torque control

- Torque control is exercised to develop torque as set in the torque command.
- The motor speed becomes constant when the motor output torque and load torque are balanced.
For torque control, therefore, the speed is determined by the load.
- For torque control, the motor gains speed as the motor output torque becomes greater than the motor load.
To prevent overspeed, set the speed limit value so that the motor speed does not increase too high.
(Torque control is disabled under speed limit since speed control is exercised.)
- When speed limit is not set, the speed limit value setting is regarded as 0Hz to disable torque control.

(1) Operation transition



- When "0" is set in Pr. 7 or Pr. 8, speed control is exercised upon powering off a start signal and the output torque is limited at the torque limit value.



Item	Description	
Start signal	External operation	STF, STR signal
	PU operation	(FWD) and (REV) of FR-DU07, FR-PU07 or FR-PU04
Torque command	Select the input method of torque command and input the torque command.	
Speed limit	Select the input method of speed limit and input the speed limit value.	

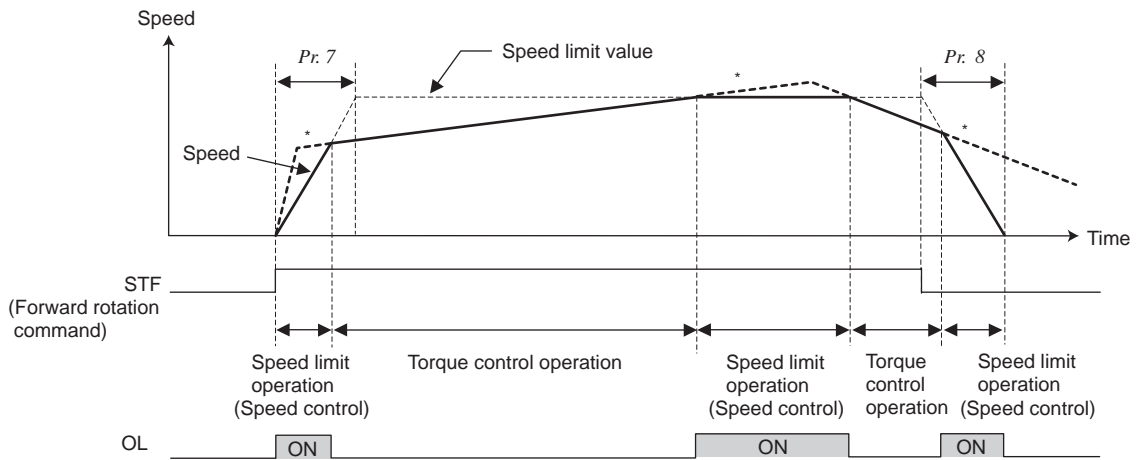


(2) Operation example (when Pr. 804 = "0")

Torque control is enabled if the actual speed is less than the speed limit value.

When the actual speed reaches or exceeds the speed limit value, speed limit operation starts, torque control is stopped, and speed control (proportional control) starts.

The following shows the operations in response to the analog input command from terminal 1.



*When the speed limit activates, torque according to the commanded is not developed.

- 1) When STF signal is turned on, the speed limit value is increased according to the time set in Pr. 7 .
- 2) Speed control operation is performed if the actual speed rises to or above the speed limit value.
- 3) When the STF signal is turned off, the speed limit value is decreased according to the time set in Pr. 8 .
- 4) For torque control, the actual speed becomes constant when the torque command and load torque are balanced.
- 5) The motor torque developing direction is determined by the combination of the torque command input polarity and start signal as indicated in the following table.

Torque Command Polarity	Torque Developing Direction	
	STF signal ON	STR signal ON
Positive torque command	Forward rotation direction (forward rotation driving/reverse rotation regeneration)	Reverse rotation direction (forward rotation regeneration/reverse rotation driving)
Negative torque command	Reverse rotation direction (forward rotation regeneration/reverse rotation driving)	Forward rotation direction (forward rotation driving/reverse rotation regeneration)

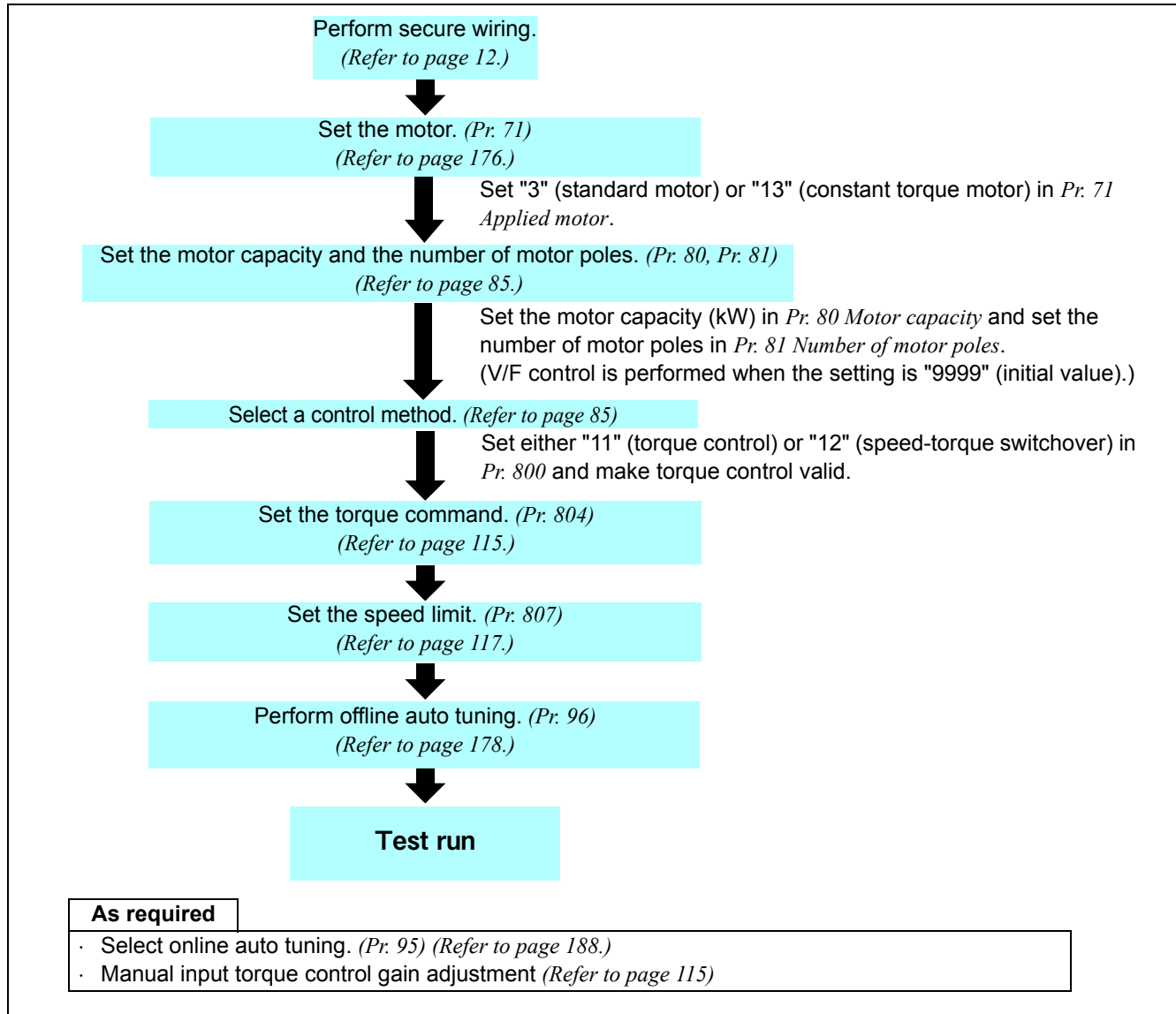
REMARKS

- When speed limit operation starts, speed control is exercised to enable internal torque limit (Pr. 22 torque limit level) (initial value). Speed control may not be returned to torque control in this case. Torque limit be set to external torque limit (terminal 1, 4)
- Undervoltage avoidance function (Pr. 261 = "11, 12") of power-failure deceleration stop function is made invalid under torque control. When Pr. 261 = "11 (12)", the inverter operates in the same manner as when "1 (2)" is set in Pr. 261.
- Set linear acceleration/deceleration (Pr. 29 = "0 (initial value)") when torque control is exercised. When acceleration/deceleration patterns other than the linear acceleration/deceleration are selected, the protective function of the inverter may function. (Refer to page 168)

CAUTION

- Performing pre-excitation (LX signal and X13 signal) under torque control (real sensorless vector control or vector control) may start the motor running at a low speed even when the start command (STF or STR) is not input. The motor may run also at a low speed when the speed limit value = 0 with a start command input. Perform pre-excitation after making sure that there will be no problem in safety if the motor runs.

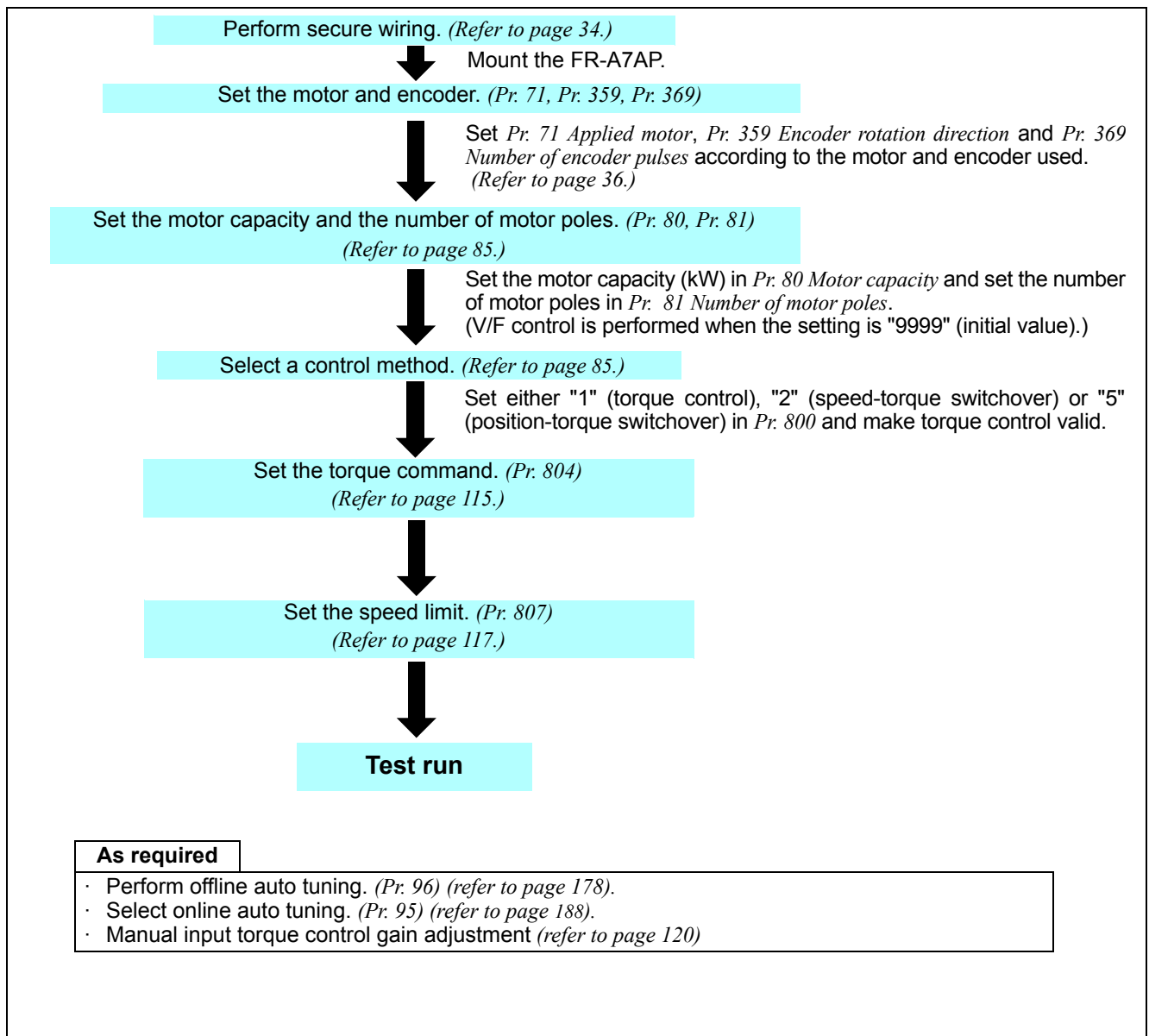
4.5.2 Setting procedure of real sensorless vector control (torque control) Sensorless



CAUTION

- Make sure to perform offline auto tuning before performing real sensorless vector control.
- The carrier frequencies are selectable from among 2k, 6k, 10k, 14kHz for real sensorless vector control.
- Torque control can not be performed in the low speed region and at a low speed with light load. Choose vector control.
- Performing pre-excitation (LX signal and X13 signal) under torque control may start the motor running at a low speed even when the start command (STF or STR) is not input. The motor may run also at a low speed when the speed limit value=0 with a start command input. Perform pre-excitation after making sure that there will be no problem in safety if the motor runs.
- Do not switch between the STF (forward rotation command) and STR (reverse rotation command) during operation under torque control. Overcurrent shut-off error (E.OC□) or opposite rotation deceleration error (E.11) occurs.
- For the 00023 to 00126, the speed deviation may become large at 20Hz or less and torque may become insufficient in the low speed region under 1Hz during continuous operation under real sensorless vector control. In such case, stop operation once and reaccelerate to improve the problems.
- When the inverter is likely to start during motor coasting under real sensorless vector control, set to make frequency search of automatic restart after instantaneous power failure valid (Pr. 57 ≠ "9999", Pr. 162 = "10").

4.5.3 Setting procedure of vector control (torque control) Vector

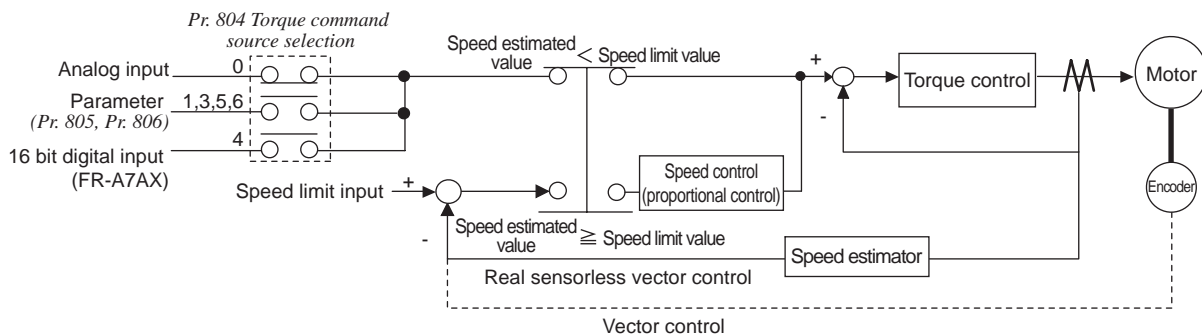


4.5.4 Torque command (Pr. 803 to Pr. 806) Sensorless Vector

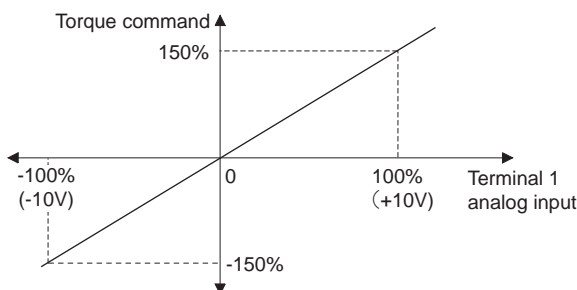
Torque command source for torque control can be selected.

Parameter Number	Name	Initial Value	Setting Range	Description	
803	Constant power range torque characteristic selection	0	0	Constant motor output limit	
			1	Constant torque limit	
804	Torque command source selection	0	0	Torque command by terminal1 analog input (Refer to page 282)	
			1	Torque command by parameter setting (Pr. 805 or Pr. 806) (-400% to 400%)	
			3	Torque command by parameter setting (Pr. 805 or Pr. 806) (-400% to 400%)	Torque command with using CC-Link communication (FR-A7NC) Setting from the remote resistor can be made. (-400% to 400%)
			4	12 bit/16 bit digital input (FR-A7AX)	
			5	Torque command by parameter setting (Pr. 805 or Pr. 806) (-400% to 400%)	Torque command with using CC-Link communication (FR-A7NC) Setting from the remote resistor can be made. (-327.68% to 327.67%)
			6	Torque command by parameter setting (Pr. 805 or Pr. 806) (-400% to 400%)	Torque command with using CC-Link communication (FR-A7NC) (-327.68% to 327.67%)
805	Torque command value (RAM)	1000%	600 to 1400%	Writes the torque command value to the RAM. On the assumption that 1000% is 0%, the torque command is set by an offset from 1000%.	
806	Torque command value (RAM,EEPROM)	1000%	600 to 1400%	Writes the torque command value to the RAM and EEPROM. On the assumption that 1000% is 0%, the torque command is set by an offset from 1000%.	

(1) Control block diagram

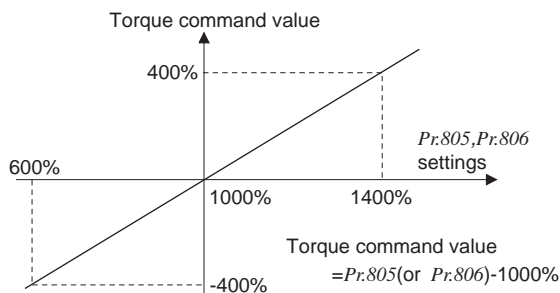


(2) Torque command (Pr. 804 = "0" (initial value)) by analog input (terminal 1)



- Torque command is given by voltage (current) input to terminal 1.
- When torque command is input from terminal 1, set "4 or 3" in Pr. 868 Terminal 1 function assignment.
- Torque command by analog input can be calibrated using calibration parameter C16 (Pr. 919) to C19 (Pr. 920). (Refer to page 282)

(3) Torque command using parameters (Pr. 804 = "1")



- Torque command value can be set by setting Pr. 805 Torque command value (RAM) or Pr. 806 Torque command value (RAM,EEPROM).
- For Pr. 805 or Pr. 806, the torque command is set by an offset from 1000% on the assumption that 1000% is 0%. The relationship between the Pr. 805 or Pr. 806 setting and actual torque command value at this time is shown on the left.
- When changing the torque command frequently, write to Pr. 805. Performing frequent parameter write to Pr. 806 will shorten the life of the EEPROM.

REMARKS

- When torque command is set in Pr. 805 (RAM), powering off the inverter will erase the changed parameter values. Therefore, the parameter value available when power is switched on again is the value set in Pr. 806 (EEPROM).

CAUTION

- When giving a torque command by parameter setting, set the speed limit value to an appropriate value to prevent overspeed. (Refer to page 117.)

(4) Torque command by CC-Link communication (Pr. 804 = "3, 5, 6")

- Writing a value to Pr. 805 or Pr. 806 using the FR-A7NC (communication option) sets the torque command value.
- When "3 or 5" is set in Pr.804, torque command can be set in remote resistor RWw1 or RWwC using the FR-A7NC (communication option).
- By setting "5, 6" in Pr.804, the range of torque command setting from FR-A7NC (communication option) is set from -327.68% to 327.67% (0.01% increments).

Pr. 804 Setting	Torque Command Source	Setting Range	Increments
1	Torque command by parameter setting (Pr. 805 or Pr. 806)	600 to 1400 (-400% to 400%)	1%
3	Torque command by parameter setting (Pr. 805 or Pr. 806)	600 to 1400 (-400% to 400%)	1%
	Torque command from remote resistor (RWw1 or RWwC) with using CC-Link communication (FR-A7NC)		
5	Torque command by parameter setting (Pr. 805 or Pr. 806)	600 to 1400 (-400% to 400%)	1%
	Torque command from remote resistor (RWw1 or RWwC) with using CC-Link communication (FR-A7NC)		
6	Torque command by parameter setting (Pr. 805 or Pr. 806) without using CC-Link communication (FR-A7NC)	600 to 1400 (-400% to 400%)	1%
	Torque command by parameter setting (Pr. 805 or Pr. 806) with using CC-Link communication (FR-A7NC)		

REMARKS

For details of the setting with the FR-A7NC, refer to the FR-A7NC instruction manual.

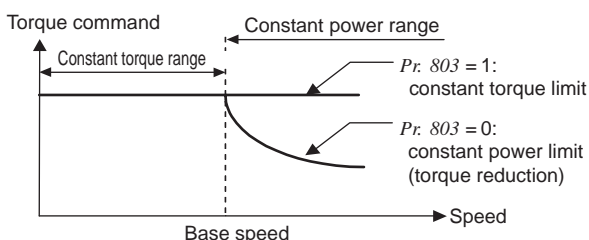
(5) Torque command by 16 bit digital input (Pr. 804 = 4)

- Give a torque command by 16 bit or 12 bit digital input using the FR-A7AX (plug-in option).

REMARKS

For details of the setting with the FR-A7AX, refer to the FR-A7AX instruction manual.

(6) Change the torque characteristics in the constant power (Pr. 803)



- Due to the motor characteristics, torque is reduced at or above the base frequency. Set "1" in Pr. 803 Constant power range torque characteristic selection when you want to limit the torque to be constant even at or above the base frequency.

◆ Parameters referred to ◆

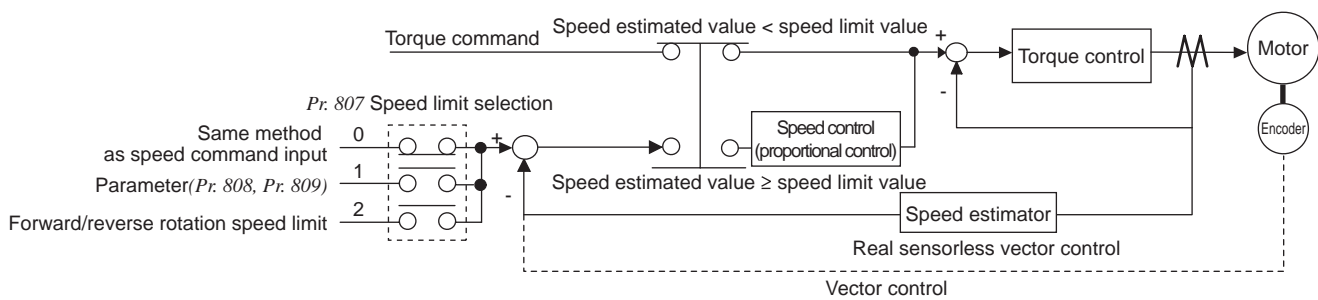
Pr. 868 Terminal 1 function assignment Refer to page 92.
 Calibration parameter C16 (Pr. 919) to C19 (Pr. 920) (terminal 1 bias, gain torque) Refer to page 282

4.5.5 Speed limit (Pr. 807 to Pr. 809) Sensorless Vector

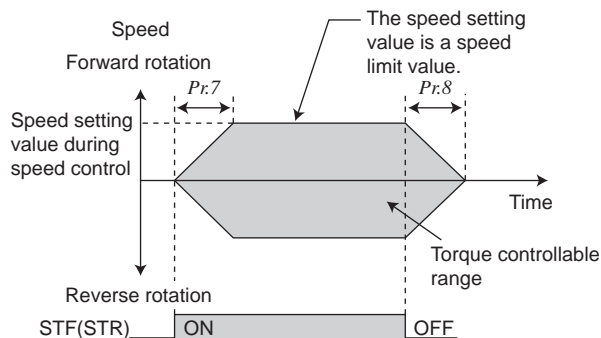
Set the speed limit value to prevent overspeed of the motor in case the load torque becomes less than the torque command value, etc. during torque control operation.

Parameter Number	Name	Initial Value	Setting Range	Description
807	Speed limit selection	0	0	Use the speed command value during speed control as speed limit.
			1	According to Pr. 808 and Pr. 809 , set the speed limit in forward and reverse rotation directions individually.
			2	Forward/reverse rotation speed limit The analog voltage of the terminal 1 input is used to make speed limit. The speed limit of the forward rotation and reverse rotation is switched according to the polarity.
808	Forward rotation speed limit	50Hz	0 to 120Hz	Set the speed limit for the forward rotation direction.
809	Reverse rotation speed limit	9999	0 to 120Hz	Set the speed limit of the reverse rotation side.
			9999	As set in Pr. 808 .

(1) Control block diagram



(2) Use the speed command for speed control (Pr. 807 = "0" initial value)



- Set the speed limit in the same method as speed setting for speed control (speed setting by the PU (FR-DU07/FR-PU07/FR-PU04), multi-speed setting, options, etc.)
- According to the acceleration time set in *Pr. 7 Acceleration time*, the limit level is increased from 0Hz upon turning on of the start signal, and when the start signal turns off, the speed limit level is decreased from the then speed limit level to the DC injection brake operation speed in *Pr. 10* to a stop in accordance with the deceleration time set in *Pr. 8 Deceleration time*.

REMARKS

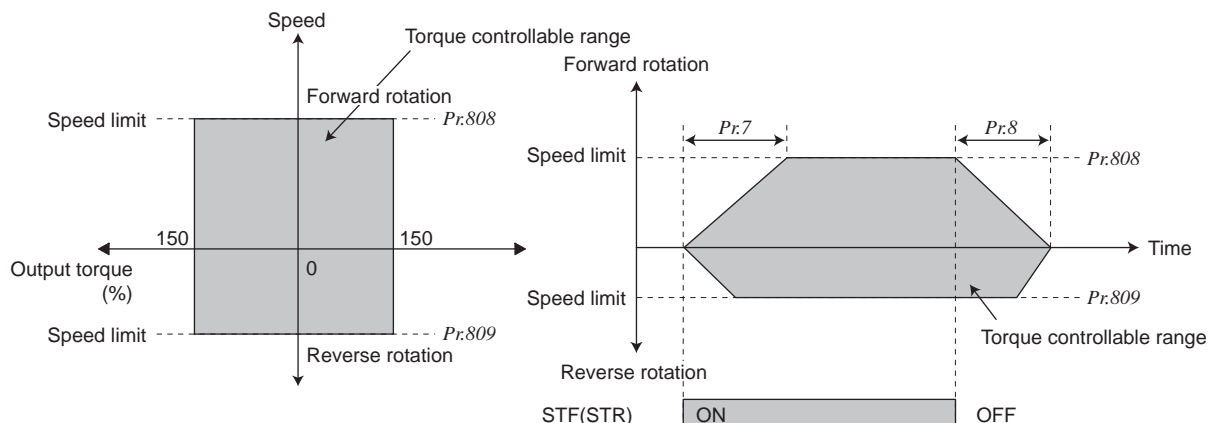
- When the above speed limit command is greater than the *Pr. 1 Maximum frequency* value, the speed limit value is the *Pr. 1 Maximum frequency* value, and when the speed limit command is less than the *Pr. 2 Minimum frequency* value, the speed limit value is the *Pr. 2 Minimum frequency* value. Similarly when the speed limit command is smaller than *Pr. 13 Starting frequency*, the speed limit value is 0Hz.
- When speed limit is to be made using analog input, perform calibration of the analog input terminal 1, 2 and 4. (Refer to page 282.)

CAUTION

When speed limit is to be made using the analog command (terminal 1,2,4), turn off the external signals (RH, RM, RL). If any of external signals (RH, RM, RL) is on, multi-speed limits are made valid.

(3) Set the forward rotation and reverse rotation individually (Pr. 807 = "1")

Set the speed limit during forward rotation using *Pr. 808 Forward rotation speed limit* and the speed limit during reverse rotation using *Pr. 809 Reverse rotation speed limit*. The speed during forward and reverse rotation is limited at the setting value of *Pr. 808* when "9999" (initial value) is set in *Pr. 809*.

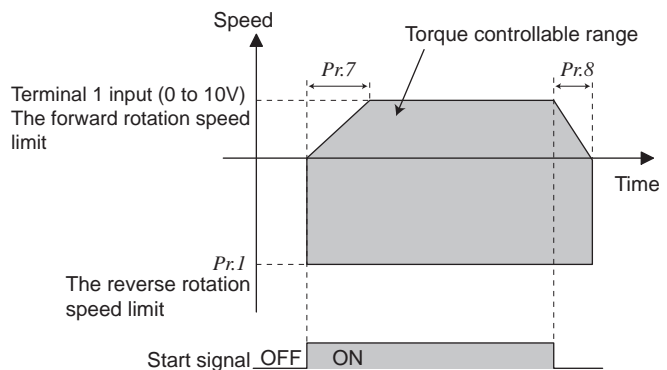
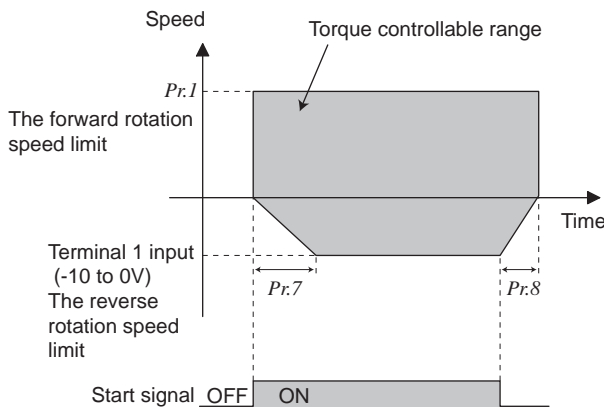
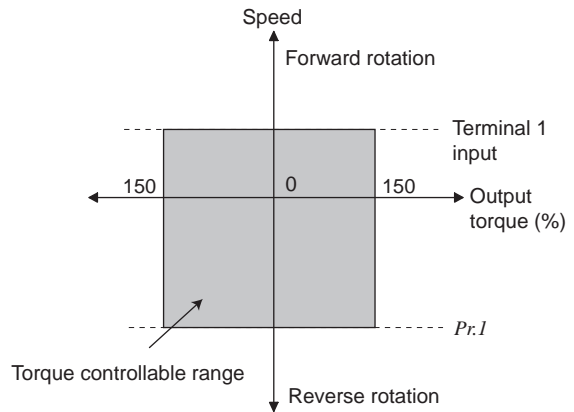
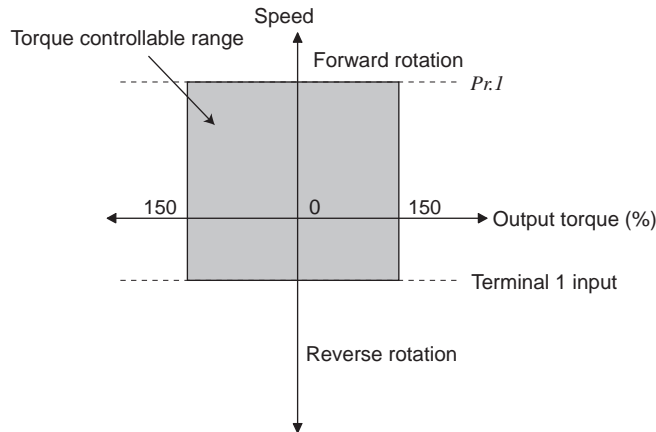


(4) Forward rotation/reverse rotation speed limit (Pr. 807 = "2")

- When making a speed limit using analog input from terminal 1, the speed limit of the forward and reverse rotation can be switched according to the polarity of voltage.
- Forward/reverse rotation speed limit is made valid when Pr. 868 Terminal 1 function assignment = "5".
- For 0 to 10V input, set the forward rotation speed limit. The reverse rotation speed limit at this time is the value of Pr.1 Maximum frequency.
- For -10 to 0V input, set the reverse rotation speed limit. The forward rotation speed limit at this time is the value of Pr. 1 Maximum frequency .
- The maximum speed of both the forward and reverse rotations is Pr. 1 Maximum frequency .

●When terminal 1 input is "-10 to 0V"

●When terminal 1 input is "0 to 10V"



REMARKS

- When making speed limit from terminal 1, make calibration of terminal 1. (Refer to page 282.)

CAUTION

When the actual speed reaches or exceeds the speed limit value, torque control is switched to speed control to prevent overspeed.

SL (SL) appears on the operation panel during speed limit operation and the OL signal is output.

◆Parameters referred to◆

- Pr. 1 Maximum frequency, Pr. 2 Minimum frequency Refer to page 149
- Pr. 7 Acceleration time, Pr. 8 Deceleration time Refer to page 165
- Pr. 13 Starting frequency Refer to page 167
- Pr. 4 to Pr. 6, Pr. 24 to Pr. 27, Pr. 232 to Pr. 239 (Multi-speed operation) Refer to page 158
- Pr. 868 Terminal 1 function assignment Refer to page 270
- Pr. 125, Pr. 126, C2 to C7, C12 to C15 (frequency setting voltage (current) bias/gain) Refer to page 277



4.5.6 Gain adjustment of torque control (Pr. 824, Pr. 825, Pr. 834, Pr. 835) Sensorless Vector

Although stable operation is possible with the initial value, make adjustment when any of such phenomena as unusual motor and machine vibration/noise and overcurrent has occurred.

Parameter Number	Name	Initial Value	Setting Range	Description
824	Torque control P gain 1	100%	0 to 200%	Set the current loop proportional gain. 100% is equivalent to 2000rad/s.
825	Torque control integral time 1	5ms	0 to 500ms	Set the current loop integral compensation time.
834	Torque control P gain 2	9999	0 to 200%	Set the current loop proportional gain when the RT signal is on.
			9999	Without torque control P gain 2 function
835	Torque control integral time 2	9999	0 to 500ms	Set the current loop integral compensation time when the RT signal is on.
			9999	Without torque control integral time 2 function

(1) Adjustment of current loop proportional (P) gain

- For general adjustment, make setting within the range 50 to 200% as a guideline.
- Set the proportional gain for torque control.
- Increasing the value improves trackability in response to a current command change and reduces current variation with disturbance. However, a too large gain will cause instability, generating harmonic torque pulsation.

(2) Adjustment of current control integral time

- Set the integral time of current control during torque control.
- A small value enhances the torque response level, but a too small value will cause current fluctuation.
- Decreasing the value shortens the time taken to return to the original torque if current variation with disturbance occurs.

(3) Use multiple gains

- When you want to change the gain according to applications, switch multiple motors with one inverter, etc., use *Torque control P gain 2* and *Torque control integral time 2*.
- *Pr. 834 Torque control P gain 2* and *Pr. 835 Torque control integral time 2* are valid when the RT signal is on.

REMARKS

- The RT signal acts as the second function selection signal and makes the other second functions valid. (Refer to page 223.)
- The RT signal is assigned to the terminal RT in the initial setting. By setting "3" in any of *Pr. 178 to Pr. 189 (input terminal function selection)*, you can assign the RT signal to the other terminal.

(4) Adjustment procedure

Make adjustment when any of such phenomena as unusual motor and machine vibration/noise/current and overcurrent has occurred.

- 1) Check the conditions and simultaneously change the *Pr. 824* value.
- 2) If you cannot make proper adjustment, change the *Pr. 825* value and repeat step 1).

Adjustment Method	
Set <i>Pr. 824</i> a little lower and <i>Pr. 825</i> a little higher. First lower <i>Pr. 824</i> and check the motor for unusual vibration/noise and overcurrent. If the problem still persists, increase <i>Pr. 825</i> .	
<i>Pr. 824</i>	Decrease the value 10% by 10% until just before unusual noise and current are improved, and set about 0.8 to 0.9 of that value. Note that a too low value will produce current ripples, causing the motor to generate sound synchronizing the cycle of current ripples.
<i>Pr. 825</i>	Increase the current value double by double until just before an unusual noise and current does not occur, and set about 0.8 to 0.9 of that value. Note that taking a too long time will produce current ripples, causing the motor to generate sound synchronizing the cycle of current ripples.

(5) Troubleshooting (Torque)

	Phenomenon	Cause	Countermeasures
1	Torque control is not exercised normally.	(1) The phase sequence of the motor or encoder wiring is wrong. (2) The <i>Pr. 800 Control method selection</i> setting is improper. (3) The speed limit value is not input. (4) The torque command varies. (5) The torque command does not match the inverter-recognized value. (6) Torque variation due to the change in the motor temperature.	(1) Check the wiring. (<i>Refer to page 12</i>) (2) Check the <i>Pr. 800</i> setting. (<i>Refer to page 85</i>) (3) Set the speed limit value. (If the speed limit value is not input, the motor will not rotate since the speed limit value is regarded as 0Hz.) (4)-1 Check that the command device gives a correct torque command. (4)-2 Decrease <i>Pr. 72 PWM frequency selection</i> . (4)-3 Increase <i>Pr. 826 Torque setting filter 1</i> (5) Recalibrate <i>C16 Terminal 1 bias command (torque/magnetic flux)</i> , <i>C17 Terminal 1 bias (torque/magnetic flux)</i> , <i>C18 Terminal 1 gain command (torque/magnetic flux)</i> , <i>C19 Terminal 1 gain (torque/magnetic flux)</i> . (<i>Refer to page 282</i>) (6) Select magnetic flux observer by setting <i>Pr. 95 Online auto tuning selection</i> . (<i>Refer to page 188</i>)
2	When the torque command is small, the motor rotates in the direction opposite to the start signal.	The offset calibration of the torque command does not match.	Recalibrate <i>C16 Terminal 1 bias command (torque/magnetic flux)</i> and <i>C17 Terminal 1 bias (torque/magnetic flux)</i> . (<i>Refer to page 282</i>)
3	Normal torque control cannot be exercised during acceleration/ deceleration. The motor vibrates.	The speed limit is activated. (When <i>Pr. 807</i> = "0, 2", the speed limit may be activated since the speed limit value changes with the setting of the acceleration/ deceleration time in <i>Pr. 7</i> and <i>Pr. 8</i> .)	Reduce the acceleration/deceleration time. Or, set the acceleration/deceleration time to "0". (The speed limit during acceleration/deceleration depends on the speed limit during the constant speed.)
4	Output torque is not linear in response to the torque command.	Insufficient torque.	Return the excitation ratio in <i>Pr. 854</i> to the initial value.

◆ Parameters referred to ◆

- Pr. 72 PWM frequency selection* *Refer to page 268*
Pr. 178 to Pr. 189 (input terminal function selection) *Refer to page 219*
Pr. 800 Control method selection *Refer to page 85*
Pr. 807 Speed limit selection *Refer to page 117*
C16 to C19 (torque setting voltage (current) bias and gain) *Refer to page 282*



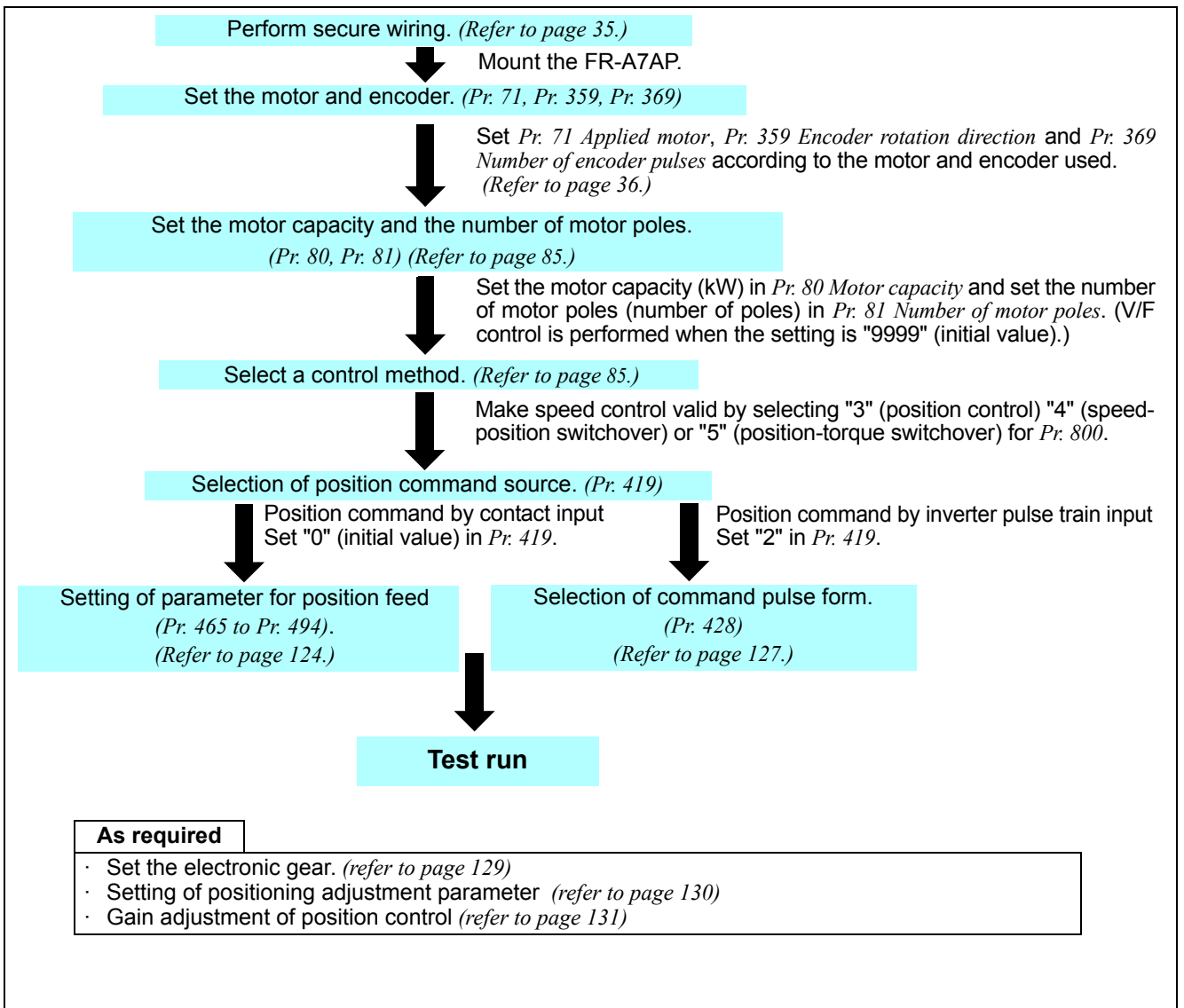
4.6 Position control by vector control

Purpose	Parameter that must be Set		Refer to Page
Conditional position control by parameter setting	Position command by parameter	Pr. 419, Pr. 464 to Pr. 494	124
Position control by pulse train input of the inverter	Position command by conditional pulse train	Pr. 419, Pr. 428 to Pr. 430	127
Adjust the gear ratio of motor and machine	Setting the electronic gear	Pr. 420, Pr. 421, Pr. 424	129
Setting of positioning adjustment parameter	In-position width Excessive level error	Pr. 426, Pr. 427	130
Improve position control accuracy	Gain adjustment of position control	Pr. 422, Pr. 423, Pr. 425	131

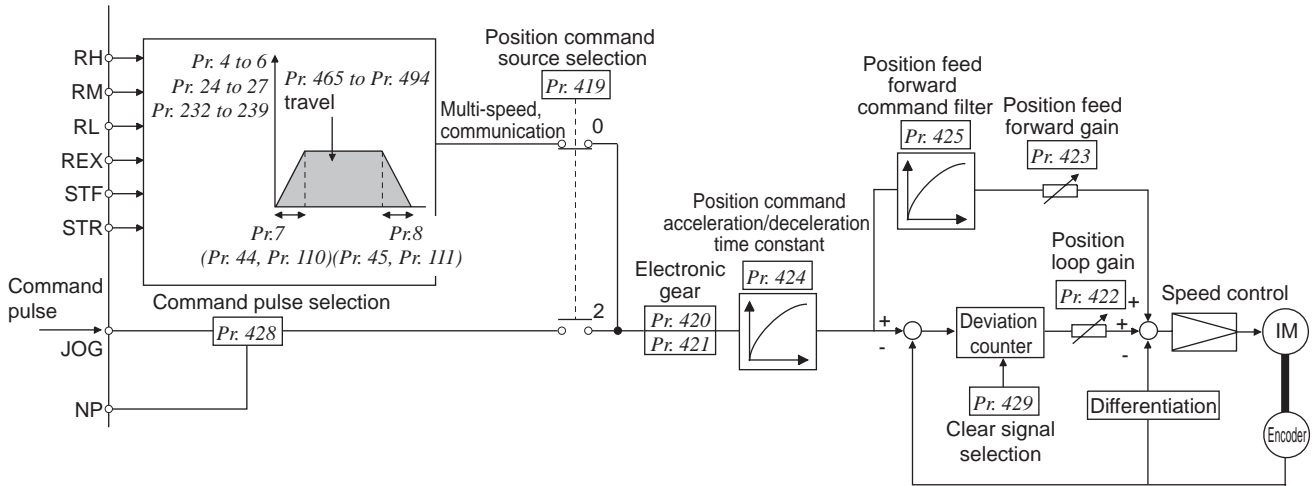
4.6.1 Position control Vector

- In the position control, the speed command is calculated so that the difference between command pulse (or parameter setting) and the number of feedback pulses from the encoder is zero to run the motor.
- This inverter can perform conditional position feed by contact input and position control by inverter conditional pulse input.

(1) Setting procedure



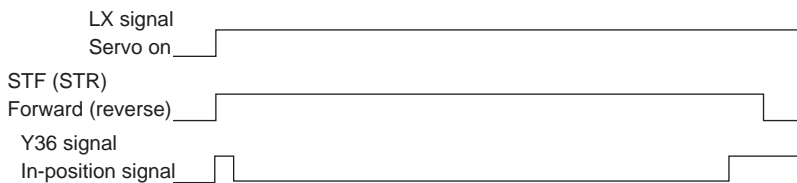
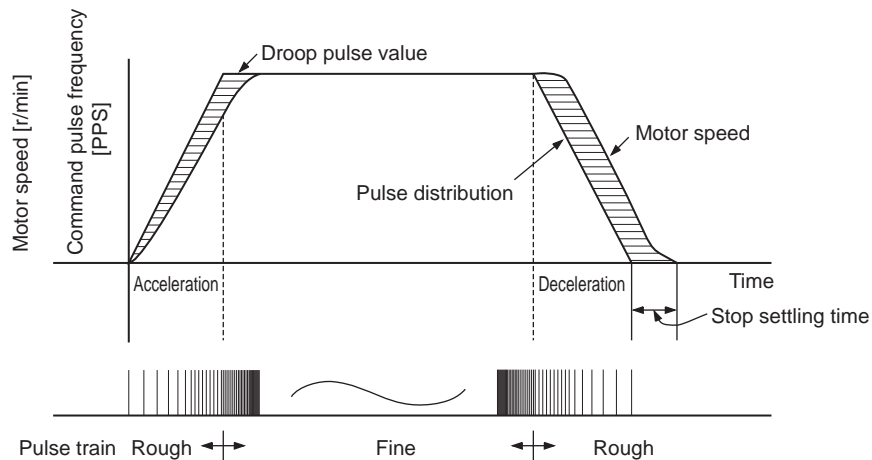
(2) Control block diagram



(3) Example of operation

The speed command given to rotate the motor is calculated to zero the difference between the number of internal command pulse train pulses (when Pr. 419 = 0, the number of pulses set by parameter (Pr. 465 to Pr. 494) is changed to the command pulses in the inverter) and the number of pulses fed back from the motor end encoder.

- 1) When a pulse train is input, pulses are accumulated in the deviation counter and these droop pulses act as position control pulses to give the speed command.
- 2) As soon as the motor starts running under the speed command of the inverter, the encoder generates feed back pulses and the droop of the deviation counter is counted down. The deviation counter maintains a given droop pulse value to keep the motor running.
- 3) When the command pulse input stops, the droop pulses of the deviation counter decrease, reducing the speed. The motor stops when there are no droop pulses.
- 4) When the number of droop pulses has fallen below the value set in Pr. 426 In-position width, it is regarded as completion of positioning and the in-position signal (Y36) turns on.



- For conditional position control function by contact input, the STF and STR terminals provide the forward (reverse) command signal. The motor can run only in the direction where the forward (reverse) signal is on. Turning the STF signal off does not run the motor forward and turning the STR signal off does not run the motor reverse.
- The pulse train is rough during acceleration and coarse at the maximum speed. During deceleration the pulse train is rough and at last there are no pulses. The motor stops shortly after the command pulses stop. This time lag is necessary for maintaining the stop accuracy and called stop settling time.

REMARKS

- For the servo on signal (LX), set "23" in Pr. 178 to Pr. 189 (input terminal function selection) to assign the function.
- For the in-position signal (Y36), set "36" in Pr. 190 to Pr. 196 (output terminal function selection) to assign the function.



CAUTION

Changing the terminal function using any of Pr. 178 to Pr. 189, 190 to Pr. 196 may affect the other functions. Make setting after confirming the function of each terminal.

◆Parameters referred to◆

Pr. 178 to Pr. 189 (input terminal function selection) Refer to page 219
 Pr. 190 to Pr. 196 (output terminal function selection) Refer to page 226

4.6.2 Conditional position feed function by contact input (Pr. 419, Pr. 464 to Pr. 494)

Vector

Inputting the number of pulses (positions) in the parameters and setting multi-speed and forward (reverse) commands enable position control. The motor does not return to the home position with this conditional position feed function .

Parameter Number	Name	Initial Value	Setting Range	Description
419	Position command source selection	0	0	Conditional position control function by contact input. (position command by parameter settings)
			2	Conditional pulse train position command by inverter pulse train input
464	Digital position control sudden stop deceleration time	0s	0 to 360.0s	Set the time until the inverter stops when the forward rotation (reverse rotation) command is turned off with the position feed forward function.

Parameter Number	Name	Initial Value	Setting Range	Selection Method (OFF: ×, ON: ○)				Position feed frequency
				REX	RH	RM	RL	
465	First position feed amount lower 4 digits	0	0 to 9999	×	○	×	×	High speed (Pr. 4)
466	First position feed amount upper 4 digits	0	0 to 9999					
467	Second position feed amount lower 4 digits	0	0 to 9999	×	×	○	×	Middle speed (Pr. 5)
468	Second position feed amount upper 4 digits	0	0 to 9999					
469	Third position feed amount lower 4 digits	0	0 to 9999	×	×	×	○	Low speed (Pr. 6)
470	Third position feed amount upper 4 digits	0	0 to 9999					
471	Fourth position feed amount lower 4 digits	0	0 to 9999	×	×	○	○	4 speed (Pr. 24)
472	Fourth position feed amount upper 4 digits	0	0 to 9999					
473	Fifth position feed amount lower 4 digits	0	0 to 9999	×	○	×	○	5 speed (Pr. 25)
474	Fifth position feed amount upper 4 digits	0	0 to 9999					
475	Sixth position feed amount lower 4 digits	0	0 to 9999	×	○	○	×	6 speed (Pr. 26)
476	Sixth position feed amount upper 4 digits	0	0 to 9999					
477	Seventh position feed amount lower 4 digits	0	0 to 9999	×	○	○	○	7 speed (Pr. 27)
478	Seventh position feed amount upper 4 digits	0	0 to 9999					
479	Eighth position feed amount lower 4 digits	0	0 to 9999	○	×	×	×	8 speed (Pr. 232)
480	Eighth position feed amount upper 4 digits	0	0 to 9999					



Parameter Number	Name	Initial Value	Setting Range	Selection Method (OFF: ×, ON: ○)				Position feed frequency
				REX	RH	RM	RL	
481	Ninth position feed amount lower 4 digits	0	0 to 9999	○	×	×	○	9 Speed (Pr. 233)
482	Ninth position feed amount upper 4 digits	0	0 to 9999					
483	Tenth position feed amount lower 4 digits	0	0 to 9999	○	×	○	×	10 speed (Pr. 234)
484	Tenth position feed amount upper 4 digits	0	0 to 9999					
485	Eleventh position feed amount lower 4 digits	0	0 to 9999	○	×	○	○	11 speed (Pr. 235)
486	Eleventh position feed amount upper 4 digits	0	0 to 9999					
487	Twelfth position feed amount lower 4 digits	0	0 to 9999	○	○	×	×	12 speed (Pr. 236)
488	Twelfth position feed amount upper 4 digits	0	0 to 9999					
489	Thirteenth position feed amount lower 4 digits	0	0 to 9999	○	○	×	○	13 speed (Pr. 237)
490	Thirteenth position feed amount upper 4 digits	0	0 to 9999					
491	Fourteenth position feed amount lower 4 digits	0	0 to 9999	○	○	○	×	14 speed (Pr. 238)
492	Fourteenth position feed amount upper 4 digits	0	0 to 9999					
493	Fifteenth position feed amount lower 4 digits	0	0 to 9999	○	○	○	○	15 speed (Pr. 239)
494	Fifteenth position feed amount upper 4 digits	0	0 to 9999					

The above parameters can be set when the FR-A7AP (option) is mounted.



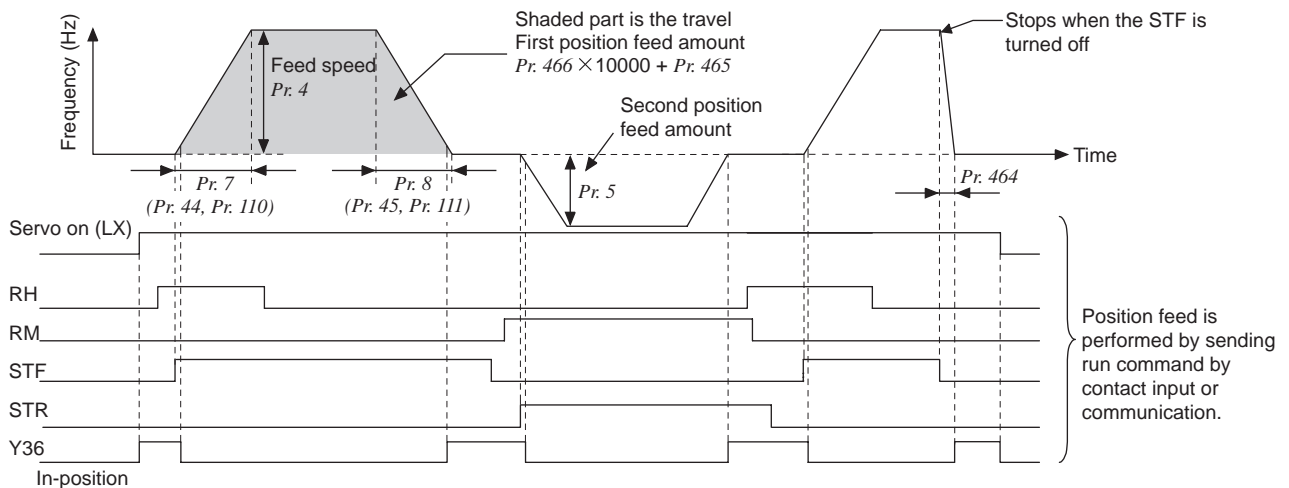
(1) Setting of position feed amount by parameter

- Set position feed amount in Pr. 465 to Pr. 494 .
- The feed amount set in each parameter is selected by multi-speed terminal (RH, RM, RL, REX).
- Set (encoder resolution × speed × 4 times) for position feed amount.
- For example, the formula for stopping the motor after 100 rotations using the FR-V5RU is as follows:

$$2048 \text{ (pulse/rev)} \times 100 \text{ (speed)} \times 4 = 819200 \text{ (feed amount)}$$

To set 819200 for the first position feed amount, divide the value into upper four digits and lower four digits and set 81 (decimal) in Pr. 466 (upper) and 9200 (decimal) in Pr. 465 (lower).

(2) Position command operation by parameter



- For deceleration by turning the STF(STR) off, use Pr. 464 Digital position control sudden stop deceleration time to set deceleration time.

REMARKS

- Acceleration/deceleration time is 0.1s minimum and 360s maximum.
- Pr. 20 Acceleration/deceleration reference frequency is clamped at a minimum of 16.66Hz (500r/min).
- The acceleration/deceleration patterns for position control are all linear acceleration and the setting of Pr. 29 Acceleration/deceleration pattern selection is invalid.

CAUTION

Information on multi-speed command (position command by RL, RM, RH, and REX signals) is determined at rising of the forward (reverse) command to perform position control. Therefore, set forward (reverse) command after multi-speed command (position command). Position feed is invalid if the multi-speed command is given after forward (reverse) command.

◆Parameters referred to◆

- Pr. 20 Acceleration/deceleration reference frequency Refer to page 165
- Pr. 29 Acceleration/deceleration pattern selection Refer to page 168

4.6.3 Position control (Pr. 419, Pr. 428 to Pr. 430) by inverter pulse train input Vector

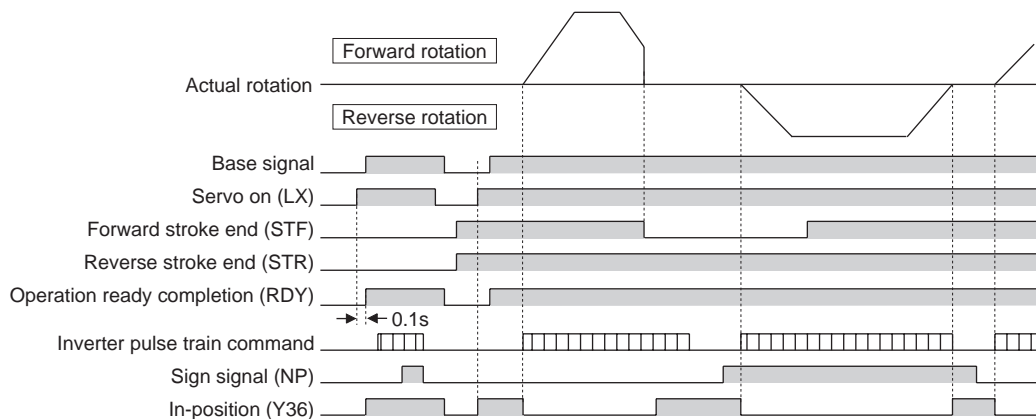
Conditional position pulse train command can be input by pulse train input and sign signal (NP) from the JOG terminal.

Parameter Number	Name	Initial Value	Setting Range	Description	
419	Position command source selection	0	0	Conditional position control function by contact input. (position command by parameter settings)	
			2	Conditional pulse train position command by inverter pulse train input	
428	Command pulse selection	0	0 to 2	Pulse train + sign	Negative logic
			3 to 5		Positive logic
429	Clear signal selection	1	0	Deviation counter is cleared at edge of turning off of the clear signal (CLR) from on	
			1	Deviation counter while the clear signal (CLR) is on	
430	Pulse monitor selection	9999	0 to 5	The status of various pulses during running is displayed.	
			9999	Frequency monitor is displayed.	

The above parameters can be set when the FR-A7AP (option) is mounted.

(1) Operation

Turnign on the servo on signal (LX) cancels the output shutoff and the operation ready signal (RDY) turns on after 0.1s. Turning on the STF (forward stroke end signal) or STR (forward stroke end signal) runs the motor according to the commanded pulse. When the forward (reverse) stroke end signal turns off, the motor does not run in that direction.



(2) Pulse train form type selection (Pr. 428, NP signal)

- 1) Set "2" (conditional pulse train position command) in Pr. 419.
- 2) Set "68" in Pr. 178 to Pr. 189 (input terminal function selection) to assign conditional position pulse train sign (NP).
- 3) Select command pulse train using Pr. 428

Pr. 428 Setting	Command Pulse Train Type	At Forward Rotation	At Reverse Rotation
0 to 2	Negative logic Pulse train + sign	JOG NP	JOG NP
3 to 5	Positive logic Pulse train + sign	JOG NP	JOG NP

- 4) Select vector control, then select position control.

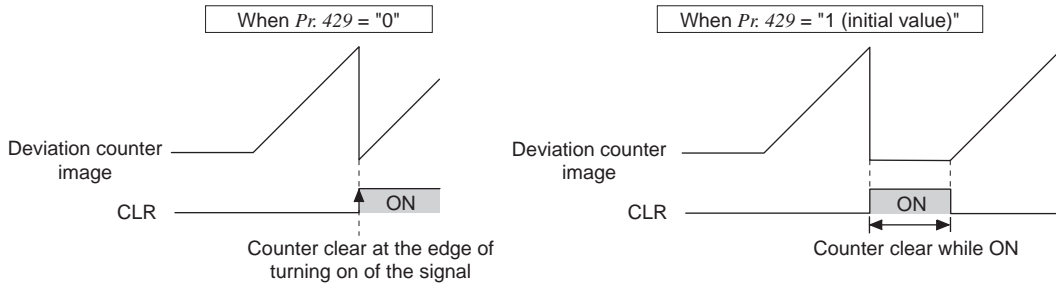
REMARKS

- When Pr. 419 Position command source selection = "2" (conditional pulse train position command), JOG terminal serves as conditional position pulse train input terminal regardless of the Pr. 291 Pulse train input selection setting.



(3) Selection of clear signal (Pr. 429, CLR signal)

- Use this function to zero the droop pulse for home position operation, etc.
- When "0" is set in Pr. 429, the deviation counter is cleared at the edge of turning on of the clear signal (CLR). In addition, the CLR signal turns on in synchronization with zero pulse signal of the encoder at home position operation, etc., deviation counter is cleared.
- For the terminal used for CLR signal, set "69" in any of Pr. 178 to Pr. 189 (input terminal function selection) to assign the function.



(4) Pulse monitor selection (Pr. 430)

The status of various pulses during running is displayed.

Set "6" in Pr. 52 DU/PU main display data selection to display output frequency monitor.

Pr. 430 Setting	Description	Display Range (FR-DU07)	Display Range (FR-PU04/FR-PU07)
0	The cumulative command pulse value is displayed.	Lower 4 digits	Lower 5 digits
1		Upper 4 digits	Upper 5 digits
2	The cumulative feedback pulse value is displayed.	Lower 4 digits	Lower 5 digits
3		Upper 4 digits	Upper 5 digits
4	The droop pulses are monitored.	Lower 4 digits	Lower 5 digits
5		Upper 4 digits	Upper 5 digits
9999	Frequency monitor is displayed. (initial value)		

REMARKS

- Count the number of pulses when the servo is on.
- The cumulative pulse value is cleared when the base is shut off or the clear signal (CLR) is turned on.

CAUTION

- Changing the terminal assignment using Pr. 178 to Pr. 189 (input terminal function selection) may affect the other functions. Make setting after confirming the function of each terminal.

◆Parameters referred to◆

Pr. 52 DU/PU main display data selection Refer to page 240
 Pr. 178 to Pr. 189 (input terminal function selection) Refer to page 219



4.6.4 Setting of the electronic gear (Pr. 420, Pr. 421, Pr. 424) Vector

Set the ratio of the machine side gear and the motor side gear.

Parameter Number	Name	Initial Value	Setting Range	Description
420	Command pulse scaling factor numerator	1	0 to 32767 *	Set the electric gear. <i>Pr. 420</i> is a numerator and <i>Pr. 421</i> is a denominator.
421	Command pulse scaling factor denominator	1	0 to 32767 *	
424	Position command acceleration/deceleration time constant	0s	0 to 50s	Used when rotation has become unsmooth at a large electronic gear ratio (about 10 times or more) and low speed.

The above parameters can be set when the FR-A7AP (option) is mounted.

* When the operation panel (FR-DU07) is used, the maximum setting is 9999. When a parameter unit is used, up to the maximum value within the setting range can be set.

(1) Calculation of the gear ratio (*Pr. 420, Pr. 421*)

- The position resolution (travel per pulse $\Delta \ell$ [mm]) is determined by the travel per motor revolution Δs [mm] and the feedback pulses Pf [pulse/rev] of the detector, and is represented by the following expression.

$$\Delta \ell = \frac{\Delta s}{\text{Pf}}$$

$\Delta \ell$: travel per pulse [mm]
 Δs : travel per motor rotation [mm]
 Pf: number of feedback pulses [pulse/rev] (number of pulses after multiplying the number of encoder pulses by four)

Using the parameters, the travel per command pulse can be set separately to set the travel per command pulse without a fraction.

$$\Delta \ell = \frac{\Delta s}{\text{Pf}} \times \frac{\text{Pr. 420}}{\text{Pr. 421}}$$

In addition, the relationship between the motor speed and internal command pulse frequency is as follows:

$$f_o \times \frac{\text{Pr. 420}}{\text{Pr. 421}} = \text{Pf} \times \frac{N_o}{60}$$

f_o : Internal command pulse frequency [pps]
 N_o : Motor speed [r/min]

CAUTION

Set the electronic gear in the range of 1/50 to 20.

Note that too small a value will decrease the speed command and too large a value will increase the speed ripples.

[Setting example 1]

The travel per pulse is $\Delta \ell = 0.01$ (mm) in a drive system where the ballscrew pitch PB = 10 (mm) and the reduction ratio $1/n = 1$ and the electronic gear ratio is $\Delta s = 10$ (mm) when the number of feedback pulses Pf = 4000 (pulse/rev). According to the following expression,

$$\begin{aligned} \Delta \ell &= \frac{\Delta s}{\text{Pf}} \times \frac{\text{Pr. 420}}{\text{Pr. 421}} \\ \frac{\text{Pr. 420}}{\text{Pr. 421}} &= \Delta \ell \times \frac{\text{Pf}}{\Delta s} \\ &= 0.01 \times \frac{4000}{10} = \frac{4}{1} \end{aligned}$$

Therefore, set "4" in *Pr. 420* and "1" in *Pr. 421*.

[Setting example 2]

Find the internal command pulse frequency of the dedicated motor rated speed.

Note that the command pulse scaling factor $\text{Pr. 420}/\text{Pr. 421} = 1$.

Assuming that the number of encoder pulses is 2048 (pulses/rev) (feedback pulse Pf = 2048 × 4),

$$\begin{aligned} f_o &= 2048 \times \frac{4}{(\text{multiplication})} \times \frac{N_o}{60} \times \frac{\text{Pr. 421}}{\text{Pr. 420}} \\ &= 204800 \end{aligned}$$

Therefore, the internal command pulse frequency is 204800 (pps).



Relationship between position resolution $\Delta \ell$ and overall accuracy

Since overall accuracy (positioning accuracy of machine) is the sum of electrical error and mechanical error, normally take measures to prevent the electrical system error from affecting the overall error. As a guideline, refer to the following relationship.

$$\Delta \ell < \left(\frac{1}{5} \text{ to } \frac{1}{10} \right) \times \Delta \varepsilon \quad \Delta \varepsilon: \text{positioning accuracy}$$

<Stopping characteristic of motor>

When parameters are used to run the motor, the internal command pulse frequency and motor speed have the relationship as shown in the chart on page 123, and as the motor speed decreases, pulses are accumulated in the deviation counter of the inverter. These pulses are called droop pulses (ε) and the relationship between command frequency (f_0) and position loop gain (K_p : Pr. 422) is as represented by the following expression.

$$\varepsilon = \frac{f_0}{K_p} \text{ [pulse]} \quad \varepsilon = \frac{204800}{25} \text{ [pulse] (rated motor speed)}$$

When the initial value of K_p is $25s^{-1}$, the droop pulses (ε) are 8192 pulses.

Since the inverter has droop pulses during running, a stop settling time (t_s) is needed from when the command has zeroed until the motor stops. Set the operation pattern in consideration of the stop settling time.

$$t_s = 3 \times \frac{1}{K_p} \text{ [s]}$$

When the initial value of K_p is $25s^{-1}$, the stop settling time (t_s) is 0.12s.

The positioning accuracy $\Delta \varepsilon$ is $(5 \text{ to } 10) \times \Delta \ell = \Delta \varepsilon$ [mm]

(2) Position command acceleration/deceleration time constant (Pr. 424)

- When the electronic gear ratio is large (about 10 or more times) and the speed is low, rotation will not be smooth, resulting in pulse-wise rotation. At such a time, set this parameter to smooth the rotation.
- When acceleration/deceleration time cannot be provided for the command pulses, a sudden change in command pulse frequency may cause an overshoot or error excess alarm. At such a time, set this parameter to provide acceleration/deceleration time.

Normally set 0.

◆Parameters referred to◆

Pr. 422 Position loop gain Refer to page 131

4.6.5 Setting of positioning adjustment parameter (Pr. 426, Pr. 427)

Parameter Number	Name	Initial Value	Setting Range	Description
426	In-position width	100 pulses	0 to 32767 pulses*	When the number of droop pulses has fallen below the setting value, the in-position signal (Y36) turns on.
427	Excessive level error	40K	0 to 400K	A position error excessive (E.OD) occurs when the number of droop pulses exceeds the setting.
			9999	Function invalid

The above parameters can be set when the FR-A7AP (option) is mounted.

* When the operation panel (FR-DU07) is used, the maximum setting is 9999. When a parameter unit is used, up to the maximum value within the setting range can be set.

(1) In-position width (Pr. 426)

The Y36 signal acts as an in-position signal.

When the number of droop pulses has fallen below the setting value, the in-position signal (Y36) turns on.

For the Y36 signal, assign the function by setting "36" (positive logic) or "136" (negative logic) in any of Pr. 190 to Pr. 196 (output terminal function selection) .

(2) Excessive level error (Pr. 427)

When droop pulses exceed the value set in Pr. 427, position error large occurs and displays an error (E.OD) to stop the inverter. When you decreased the Pr. 422 Position loop gain setting, increase the error excessive level setting.

Also decrease the setting when you want to detect an error slightly earlier under large load.

When "9999" is set in Pr. 427, position error large (E.OD) does not occur regardless of droop pulses.

**4.6.6 Gain adjustment of position control (Pr. 422, Pr. 423, Pr. 425)** Vector

Easy gain tuning is available as an easy tuning method. Refer to *page 97* for easy gain tuning.
 If it does not produce any effect, make fine adjustment by using the following parameters.
 Set "0" in *Pr. 819 Easy gain tuning selection* before setting the parameters below.

Parameter Number	Name	Initial Value	Setting Range	Description
422	Position loop gain	25s ⁻¹	0 to 150s ⁻¹	Set the gain of the position loop.
423	Position feed forward gain	0%	0 to 100%	Function to cancel a delay caused by the droop pulses of the deviation counter.
425	Position feed forward command filter	0s	0 to 5s	Enters the primary delay filter in response to the feed forward command.

The above parameters can be set when the FR-A7AP (option) is mounted.

(1) Position loop gain (Pr. 422)

- Make adjustment when any of such phenomena as unusual vibration, noise and overcurrent of the motor/machine occurs.
- Increasing the setting improves trackability for the position command and also improves servo rigidity at a stop, but oppositely makes an overshoot and vibration more liable to occur.
- Normally set this parameter within the range about 5 to 50.

Phenomenon/Condition	Adjustment Method	
Slow response	Increase the <i>Pr. 422</i> value.	
	<i>Pr. 422</i>	Increase the value 3s ⁻¹ by 3s ⁻¹ until just before an overshoot, stop-time vibration or other instable phenomenon occurs, and set about 0.8 to 0.9 of that value.
Overshoot, stop-time vibration or other instable phenomenon occurs.	Decrease the <i>Pr. 422</i> value.	
	<i>Pr. 422</i>	Decrease the value 3s ⁻¹ by 3s ⁻¹ until just before an overshoot, stop-time vibration or other instable phenomenon does not occur, and set about 0.8 to 0.9 of that value.

(2) Position feed forward gain (Pr. 423)

- This function is designed to cancel a delay caused by the droop pulses of the deviation counter.
- When a tracking delay for command pulses poses a problem, increase the setting gradually and use this parameter within the range where an overshoot or vibration will not occur.
- This function has no effects on servo rigidity at a stop.
- Normally set this parameter to 0.



(3) Troubleshooting

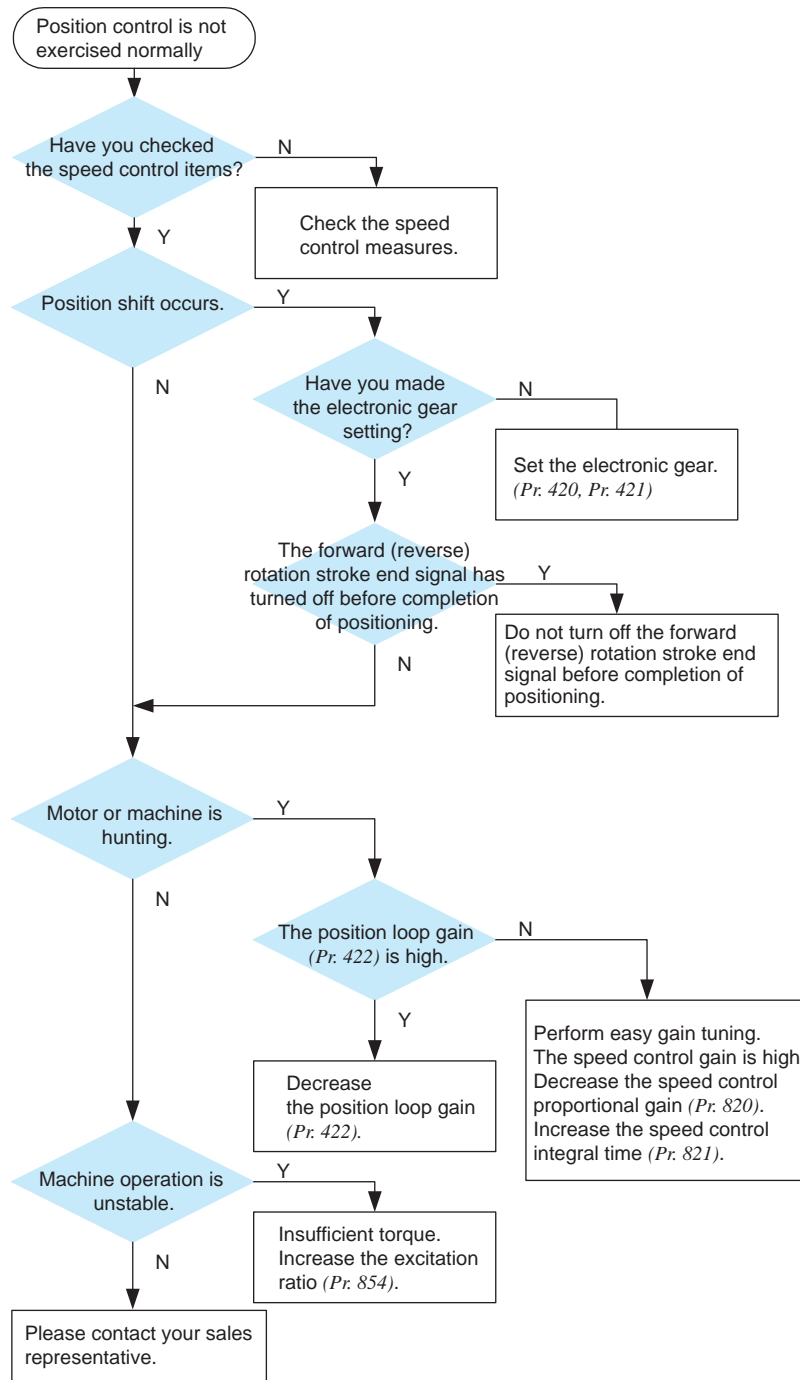
	Phenomenon	Cause	Countermeasures
1	Motor does not rotate.	(1) The phase sequence of the motor or encoder wiring is wrong. (2) The control mode selection <i>Pr. 800</i> setting is improper. (3) The servo on signal or stroke end signal (STF, STR) is not input. (4) Command pulse, position pulse sign (NP) are not correctly input. (5) <i>Pr. 419 Position command source selection</i> setting is not correct. (6) When "0" is set in <i>Pr. 419 Position command source selection</i> , the settings of position feed amount in <i>Pr. 465 to Pr. 494</i> are not correct.	(1) Check the wiring. (<i>Refer to page 34</i>) (2) Check the <i>Pr. 800</i> setting. (<i>Refer to page 85</i>) (3) Check that the signals are input normally. (4)-1 Check that the command pulses are input normally. (Check the cumulative command pulse value in <i>Pr. 430</i>) (4)-2 Check the command pulse form and command pulse selection, <i>Pr. 428</i> , setting. (4)-3 Check that the position pulse sign (NP) is assigned to the input terminal. (inverter pulse input) (5) Check the position command source selection in <i>Pr. 419</i> . (6) Check the position feed amount in <i>Pr. 465 to Pr. 494</i> .
2	Position shift occurs.	(1) The command pulses are not input correctly. (2) The command is affected by noise. Or the encoder feedback signal is compounded with noise.	(1)-1 Check the command pulse form and command pulse selection, <i>Pr. 428</i> setting. (1)-2 Check that the command pulses are input normally. (Check the cumulative command pulse value in <i>Pr. 430</i>) (1)-3 Check that the position pulse sign (NP) is assigned to the input terminal. (inverter pulse input) (2)-1 Decrease the <i>Pr. 72 PWM frequency selection</i> value. (2)-2 Change the earthing (grounding) point of shielded wire. Or leave the cable suspended.
3	Motor or machine hunts.	(1) The position loop gain is high. (2) The speed gain is high.	(1) Decrease the <i>Pr. 422</i> value. (2)-1 Perform easy gain tuning. (2)-2 Decrease <i>Pr. 820</i> and increase <i>Pr. 821</i> .
4	Machine operation is unstable.	(1) The acceleration/deceleration time setting has adverse effect.	(1) Decrease <i>Pr. 7</i> and <i>Pr. 8</i> .

◆Parameters referred to◆

- Pr. 7 Acceleration time* Refer to page 165
- Pr. 8 Deceleration time* Refer to page 165
- Pr. 72 PWM frequency selection* Refer to page 268
- Pr. 800 Control method selection* Refer to page 85
- Pr. 802 Pre-excitation selection* Refer to page 191
- Pr. 819 Easy gain tuning selection* Refer to page 97
- Pr. 820 Speed control P gain 1* Refer to page 97
- Pr. 821 Speed control integral time 1* Refer to page 97



4.6.7 Trouble shooting for when position control is not exercised normally Vector



REMARKS

The speed command of position control relates to speed control. (Refer to page 90.)



4.7 Adjustment of real sensorless vector control, vector control

Purpose	Parameter that should be Set		Refer to Page
Stabilize speed and feedback signal	Speed detection filter Torque detection filter	Pr. 823, Pr. 827, Pr. 833, Pr. 837	134
Change the excitation ratio	Excitation ratio	Pr. 854	135

4.7.1 Speed detection filter and torque detection filter (Pr. 823, Pr. 827, Pr. 833, Pr. 837) Sensorless Vector

Set the time constant of the primary delay filter relative to the speed feedback signal and torque feedback signal. Since this function reduces the speed loop response, use it with the initial value.

Parameter Number	Name	Initial Value	Setting Range	Description
823 *1	Speed detection filter 1	0.001s	0	Without filter
			0.001 to 0.1s	Set the time constant of the primary delay filter relative to the speed feedback signal.
827	Torque detection filter 1	0s	0	Without filter
			0.001 to 0.1s	Set the time constant of the primary delay filter relative to the torque feedback signal.
833 *1	Speed detection filter 2	9999	0 to 0.1s	Second function of Pr. 823 (valid when RT signal is on)
			9999	Same as the Pr. 823 setting
837	Torque detection filter 2	9999	0 to 0.1s	Second function of Pr. 827 (valid when RT signal is on)
			9999	Same as the Pr. 827 setting

*1 This parameter can be set when the FR-A7AP (option) is mounted.

(1) Stabilize speed detection (Pr. 823, Pr. 833)

- Since the current loop response reduces, use it with the initial value. Increase the setting value gradually and adjust the value to stabilize the speed when speed ripples occur due to harmonic disturbance, etc. A too large value will run the motor unstably.
- Pr. 823 and Pr. 833 are valid only during vector control

(2) Stabilize speed detection (Pr. 827, Pr. 837)

- Since the current loop response reduces, use it with the initial value. Increase the setting value gradually and adjust the value to stabilize the speed when torque ripples occur due to harmonic disturbance, etc. A too large value will run the motor unstably.

(3) Use multiple primary delay filters.

- Use Pr. 833 and Pr. 837 to change the filter according to applications. Pr. 833 and Pr. 837 are valid when the RT signal is on.

REMARKS

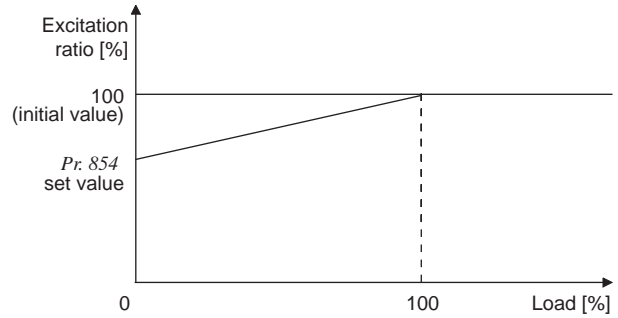
- The RT signal acts as the second function selection signal and makes the other second functions valid. (Refer to page 223.)
- The RT signal is assigned to the RT terminal in the initial setting. By setting "3" in any of Pr. 178 to Pr. 189 (input terminal function selection), you can assign the RT signal to the other terminal.

4.7.2 Excitation ratio (Pr. 854) Sensorless Vector

Decrease the excitation ratio when you want to improve efficiency under light load. (Motor magnetic noise decreases.)

Parameter Number	Name	Initial Value	Setting Range	Description
854	Excitation ratio	100%	0 to 100%	Set the excitation ratio under no load.

- Note that the rise of output torque becomes slow if excitation ratio is decreased. This function is appropriate for applications as machine tools which repeat rapid acceleration/deceleration up to high speed.



REMARKS

- When "1" (magnetic flux with terminal) is set in *Pr. 858 Terminal 4 function assignment* or *Pr. 868 Terminal 1 function assignment*, the *Pr. 854* setting is made invalid.

4.8 Adjust the output torque of the motor (current)

Purpose	Parameter that must be Set		Refer to Page
Set starting torque manually	Manual torque boost	Pr. 0, Pr. 46, Pr. 112	136
Automatically control output current according to load	Advanced magnetic flux vector control	Pr. 71, Pr. 80, Pr. 81, Pr. 89, Pr. 450, Pr. 451, Pr. 453, Pr. 454, Pr. 569, Pr. 800	138
Compensate for motor slip to secure low-speed torque	Slip compensation	Pr. 245 to Pr. 247	141
Limit output current to prevent inverter trip	Stall prevention operation	Pr. 22, Pr. 23, Pr. 66, Pr. 154, Pr. 156, Pr. 157	142
Change the overload current rating specifications	Multiple rating setting	Pr. 570	147

4.8.1 Manual torque boost (Pr. 0, Pr. 46, Pr. 112)

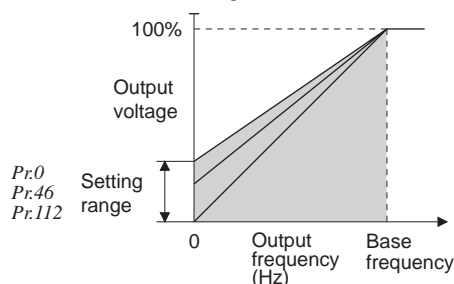
You can compensate for a voltage drop in the low-frequency region to improve motor torque reduction in the low-speed range.

- Motor torque in the low-frequency range can be adjusted to the load to increase the starting motor torque.
- Three types of starting torque boost can be changed by switching terminals.

Parameter Number	Name	Initial Value		Setting Range	Description
0	Torque boost	00023, 00038	6%	0 to 30%	Set the output voltage at 0Hz as %.
		00052 to 00126	4%		
		00170, 00250	3%		
		00310 to 01800	2%		
		02160 or more	1%		
46	Second torque boost	9999		0 to 30%	Set the torque boost value when the RT signal is on.
				9999	Without second torque boost
112	Third torque boost	9999		0 to 30%	Set the torque boost value when the X9 signal is on.
				9999	Without third torque boost

(1) Starting torque adjustment

- On the assumption that Pr. 19 Base frequency voltage is 100%, set the output voltage at 0Hz in % in Pr. 0 (Pr. 46, Pr. 112).
- Adjust the parameter little by little (about 0.5%), and check the motor status each time. If the setting is too large, the motor will overheat. The guideline is about 10% at the greatest.



(2) Set multiple torque boost (RT signal, X9 signal, Pr. 46, Pr. 112)

- Use the second (third) torque boost when changing the torque boost according to application or when using multiple motors by switching between them by one inverter.
- Pr. 46 Second torque boost is made valid when the RT signal turns on.
- Pr. 112 Third torque boost is valid when the X9 signal is on. For the terminal used for X9 signal input, set "9" in any of Pr. 178 to Pr. 189 (input terminal function selection) to assign the X9 signal function.


REMARKS


- The RT(X9) signal acts as the second (third) function selection signal and makes the other second (third) functions valid. (Refer to page 223)
- The RT signal is assigned to the RT terminal in the default setting. By setting "3" in any of Pr. 178 to Pr. 189 (input terminal function selection), you can assign the RT signal to the other terminal.


CAUTION

- Increase the setting when the distance between the inverter and motor is long or when motor torque is insufficient in the low-speed range. If the setting is too large, an overcurrent trip may occur.
- The Pr. 0, Pr. 46, Pr. 112 settings are valid only when V/F control is selected.
- When using the inverter dedicated motor (constant torque motor) with the 00170 or 00250, set the torque boost value to 2%. If the initial set Pr. 71 value is changed to the setting for use with a constant-torque motor, the Pr. 0 setting changes to the corresponding value in above.
- Changing the terminal assignment using Pr. 178 to Pr. 189 (input terminal function selection) may affect the other functions. Please make setting after confirming the function of each terminal.

◆ Parameters referred to ◆

Pr. 3 Base frequency, Pr. 19 Base frequency voltage  Refer to page 151

Pr. 71 Applied motor  Refer to page 176

Pr. 178 to Pr. 189 (Input terminal function selection)  Refer to page 219

4.8.2 Advanced magnetic flux vector control (Pr. 71, Pr. 80, Pr. 81, Pr. 89, Pr. 450, Pr. 451, Pr. 453, Pr. 454, Pr. 569, Pr. 800) Magnetic flux

Advanced magnetic flux vector control can be selected by setting the capacity, number and type of motor to be used in Pr. 80 and Pr. 81.

●What is advanced magnetic flux vector control?

The low speed torque can be improved by providing voltage compensation so that the motor current which meets the load torque to flow. Output frequency compensation (slip compensation) is made so that the motor actual speed approximates a speed command value. Effective when load fluctuates drastically, etc.

Parameter Number	Name	Initial Value	Setting Range	Description	
71	Applied motor	0	0 to 8, 13 to 18, 20, 23, 24, 30, 33, 34, 40, 43, 44, 50, 53, 54	By selecting a standard motor or constant torque motor, thermal characteristic and motor constants of each motor are set.	
80	Motor capacity	9999	01800 or less	0.4 to 55kW	Set the applied motor capacity.
			02160 or more	0 to 3600kW	
			9999	V/F control	
81	Number of motor poles	9999	2, 4, 6, 8, 10	Set the number of motor poles.	
			12, 14, 16, 18, 20	X18 signal-ON:V/F control · Set 10 + number of motor poles.	
			9999	V/F control	
89	Speed control gain (magnetic flux vector)	9999	0 to 200%	Motor speed fluctuation due to load fluctuation is adjusted during advanced magnetic flux vector control. 100% is a referenced value.	
			9999	Gain matching with the motor set in Pr. 71.	
450	Second applied motor	9999	0 to 8, 13 to 18, 20, 23, 24, 30, 33, 34, 40, 43, 44, 50, 53, 54	Set when using the second motor. (same specifications as Pr. 71)	
			9999	Function invalid (Pr. 71 is valid)	
451	Second motor control method selection	9999	10, 11, 12	Real sensorless vector control	
			20, 9999	V/F control (advanced magnetic flux vector control)	
453	Second motor capacity	9999	01800 or less	0.4 to 55kW	Set the capacity of the second motor.
			02160 or more	0 to 3600kW	
			9999	V/F control	
454	Number of second motor poles	9999	2, 4, 6, 8, 10	Set the number of poles of the second motor.	
			9999	V/F control	
569	Second motor speed control gain	9999	0 to 200%	Second motor speed fluctuation due to load fluctuation is adjusted during advanced magnetic flux vector control. 100% is a referenced value.	
			9999	Gain matching with the motor set in Pr. 450.	
800	Control method selection	20	0 to 5	Vector control	
			9	Vector control test operation	
			10, 11, 12	Real sensorless vector control	
			20	V/F control (advanced magnetic flux vector control)	

* Use Pr. 178 to Pr. 189 to assign the terminals used for the X18 and MC signal. (Refer to page 219)

POINT

If the following conditions are not satisfied, select V/F control since malfunction such as insufficient torque and uneven rotation may occur.

- The motor capacity should be equal to or one rank lower than the inverter capacity. (note that the capacity should be 0.4kW or more)
- Motor to be used is either Mitsubishi standard motor (SF-JR, SF-HR two-pole, four-pole, six-pole 0.4kW or more) or Mitsubishi constant torque motor (SF-JRCA, SF-HRCA four-pole 0.4kW to 55kW). When using a motor other than the above (SF-TH, other manufacturer's motors, etc.), perform offline auto tuning without fail.
- Single-motor operation (one motor run by one inverter) should be performed.
- The wiring length from inverter to motor should be within 30m. (Perform offline auto tuning in the state where wiring work is performed when the wiring length exceeds 30m.)
- For 02160 or more, do not use an option sine wave filter (MT-BSL/BSC) between the inverter and motor.

(1) Selection method of advanced magnetic flux vector control

Perform secure wiring.
(Refer to page 12)

Set the motor. (Pr. 71)

Motor		Pr. 71 Setting *1	REMARKS
Mitsubishi standard motor	SF-JR	0 (initial value)	
	SF-JR 4P 1.5kW or less	20	
Mitsubishi high efficiency motor	SF-HR	40	
	Others	3	Offline auto tuning is necessary. *2
Mitsubishi constant-torque motor	SF-JRCA 4P	1	
	SF-HRCA 4P	50	
	Others (SF-JRC, etc.)	13	Offline auto tuning is necessary. *2
Other manufacturer's standard motor	—	3	Offline auto tuning is necessary. *2
Other manufacturer's constant torque motor	—	13	Offline auto tuning is necessary. *2

*1 For other settings of Pr. 71, refer to page 176.

*2 Refer to page 178 for offline auto tuning.

Set the motor capacity and the number of motor poles.
(Pr. 80, Pr. 81) (Refer to page 85)

Set motor capacity (kW) in Pr. 80 *Motor capacity* and the number of motor poles (number of poles) in Pr. 81 *Number of motor poles*. (V/F control is performed when the setting is "9999" (initial value).)

Set the operation command. (Refer to page 295)

Select the start command and speed command.

(1) Start command

1. Operation panel :

Setting by pressing / of the operation panel

2. External command : Setting by forward rotation or reverse rotation command (terminal STF or STR)

(2) Speed command

1. Operation panel :

Setting by of the operation panel

2. External analog command (terminal 2 or 4) :

Give a speed command using the analog signal input to terminal 2 (or terminal 4).

3. Multi-speed command :

The external signals (RH, RM, RL) may also be used to give speed command.

Test run

As required

- Perform offline auto tuning. (Pr. 96) (refer to page 178)
- Select online auto tuning. (Pr. 95) (refer to page 188)

REMARKS

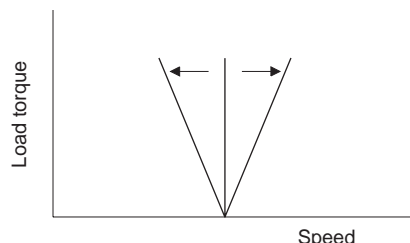
- When higher accuracy operation is necessary, set online auto tuning after performing offline auto tuning and select real sensorless vector control.

CAUTION

- Uneven rotation slightly increases as compared to the V/F control. (It is not suitable for machines such as grinding machine and wrapping machine which requires less uneven rotation at low speed.)
- When a surge voltage suppression filter (FR-ASF-H) is connected between the inverter and motor, output torque may decrease. (01800 or less)
- When terminal assignment is changed using *Pr. 178 to Pr. 189 (input terminal function selection)*, the other functions may be affected. Make setting after confirming the function of each terminal.

(2) Adjust the motor speed fluctuation at load fluctuation (speed control gain)

The motor speed fluctuation at load fluctuation can be adjusted using *Pr. 89*. (It is useful when the speed command does not match the motor speed after the FR-A500(L) series inverter is replaced with the FR-A700 series inverter, etc.)



(3) Advanced magnetic flux vector control is performed with two motors

- Turning the RT signal on allows the second motor to be controlled.
- Set the second motor in *Pr. 450 Second applied motor*. (Initial setting is "9999" (without second applied motor). Refer to page 176.)

Function	RT signal ON (second motor)	RT signal OFF (first motor)
Applied motor	Pr. 450	Pr. 71
Motor capacity	Pr. 453	Pr. 80
Number of motor poles	Pr. 454	Pr. 81
Speed control gain	Pr. 569	Pr. 89
Control method selection	Pr. 451	Pr. 800

REMARKS

- The RT signal acts as the second function selection signal and makes the other second functions valid. (Refer to page 223)
The RT signal is assigned to the terminal RT in the initial setting. By setting "3" in any of *Pr. 178 to Pr. 189 (input terminal function selection)*, the RT signal can be assigned to the other terminal.

CAUTION

- Changing the terminal assignment using *Pr. 178 to Pr. 189 (input terminal function selection)* may affect the other functions. Please make setting after confirming the function of each terminal.

◆Parameters referred to◆

Pr. 71, Pr. 450 Applied motor Refer to page 176
Pr. 800, Pr. 451 Control method selection Refer to page 85

4.8.3 Slip compensation (Pr. 245 to Pr. 247)

The inverter output current may be used to assume motor slip to keep the motor speed constant.

Parameter Number	Name	Initial Value	Setting Range	Description
245	Rated slip	9999	0.01 to 50%	Used to set the rated motor slip.
			0, 9999	No slip compensation
246	Slip compensation time constant	0.5s	0.01 to 10s	Used to set the slip compensation response time. When the value is made smaller, response will be faster. However, as load inertia is greater, a regenerative overvoltage (E.OV□) error is more liable to occur.
247	Constant-power region slip compensation selection	9999	0	Slip compensation is not made in the constant power range (frequency range above the frequency set in Pr. 3)
			9999	Slip compensation is made in the constant power range.

- Slip compensation is validated when the motor rated slip calculated by the following formula is set in Pr. 245. Slip compensation is not made when Pr. 245 = "0" or "9999".

$$\text{Rated slip} = \frac{\text{Synchronous speed at base frequency} - \text{rated speed}}{\text{Synchronous speed at base frequency}} \times 100[\%]$$

REMARKS

When performing slip compensation, the output frequency may become greater than the set frequency. Set the Pr. 1 Maximum frequency value a little higher than the set frequency.

◆ Parameters referred to ◆

Pr. 1 Maximum frequency Refer to page 149

Pr. 3 Base frequency Refer to page 151

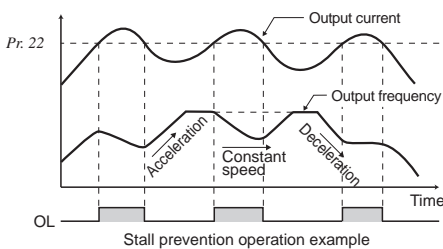
4.8.4 Stall prevention operation (Pr. 22, Pr. 23, Pr. 48, Pr. 49, Pr. 66, Pr. 114, Pr. 115, Pr. 148, Pr. 149, Pr. 154, Pr. 156, Pr. 157, Pr. 858, Pr. 868) V/F Magnetic flux

This function monitors the output current and automatically changes the output frequency to prevent the inverter from coming to an alarm stop due to overcurrent, overvoltage, etc. It can also limit stall prevention and fast-response current limit operation during acceleration/deceleration, driving or regeneration. Invalid under real sensorless vector control or vector control.

- Stall prevention
If the output current exceeds the stall prevention operation level, the output frequency of the inverter is automatically varied to reduce the output current.
Also the second stall prevention function can restrict the output frequency range in which the stall prevention function is valid. (Pr. 49)
- Fast-response current limit
If the current exceeds the limit value, the output of the inverter is shut off to prevent an overcurrent.

Parameter Number	Name	Initial Value	Setting Range	Description	
22	Stall prevention operation level	150% *	0	Stall prevention operation selection becomes invalid.	
			0.1 to 400%	Set the current value at which stall prevention operation will be started.	
23	Stall prevention operation level compensation factor at double speed	9999	0 to 200% *	The stall operation level can be reduced when operating at a high speed above the rated frequency.	
			9999	Constant according to Pr. 22	
48	Second stall prevention operation current	150% *	0	Second stall prevention operation invalid	
			0.1 to 220% *	The second stall prevention operation level can be set.	
49	Second stall prevention operation frequency	0Hz	0	Second stall prevention operation invalid	
			0.01 to 400Hz	Set the frequency at which stall prevention operation of Pr. 48 is started.	
			9999	Pr. 48 is valid when the RT signal is on.	
66	Stall prevention operation reduction starting frequency	50Hz	0 to 400Hz	Set the frequency at which the stall operation level is started to reduce.	
114	Third stall prevention operation current	150% *	0	Third stall prevention operation invalid	
			0.1 to 220%	Stall prevention operation level can be changed with the X9 signal.	
115	Thrid stall prevention operation frequency	0Hz	0	Third stall prevention operation invalid	
			0.01 to 400Hz	Set the frequency at which stall prevention operation when the X9 signal is on starts.	
148	Stall prevention level at 0V input	150% *	0 to 220% *	Stall prevention operation level can be changed by the analog signal input to terminal 1 (terminal 4).	
149	Stall prevention level at 10V input	200% *	0 to 220% *		
154	Voltage reduction selection during stall prevention operation	1	0	With voltage reduction	You can select whether to use output voltage reduction during stall prevention operation or not.
			1	Without voltage reduction	
156	Stall prevention operation selection	0	0 to 31, 100, 101	You can select whether stall prevention operation and fast-response current limit operation will be performed or not.	
157	OL signal output timer	0s	0 to 25s	Set the output start time of the OL signal output when stall prevention is activated.	
			9999	Without the OL signal output	
858	Terminal 4 function assignment	0	0, 1, 4, 9999	By setting "4", the stall prevention operation level can be changed with a signal to terminal 4.	
868	Terminal 1 function assignment	0	0 to 6, 9999	By setting "4", the stall prevention operation level can be changed with a signal to terminal 1.	

* When Pr. 570 Multiple rating setting ≠ "2", performing all parameter clear and inverter reset changes the initial value and setting range. (Refer to page 147)



(1) Setting of stall prevention operation level (Pr. 22)

- Set in Pr. 22 the ratio of the output current to the rated inverter current at which stall prevention operation will be performed. Normally set 150% (initial value).
- Stall prevention operation stops acceleration (makes deceleration) during acceleration, makes deceleration during constant speed, and stops deceleration during deceleration.
- When stall prevention operation is performed, the OL signal is output.

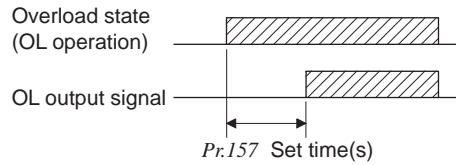
CAUTION

- If an overload status lasts long, an inverter trip (e.g. electronic thermal relay function (E.THM)) may occur.
- When Pr. 156 has been set to activate the fast-response current limit (initial setting), the Pr. 22 setting should not be higher than 170%. The torque will not be developed by doing so. (When Pr. 570 = "2")
- When real sensorless vector control or vector control is selected using Pr. 800 Control method selection, Pr.22 serves as torque limit level. For the 00126 or less, the Pr. 22 setting changes from 150% (initial value) to 200%.

(2) Stall prevention operation signal output and output timing adjustment (OL signal, Pr. 157)

- When the output power exceeds the stall prevention operation level and stall prevention is activated, the stall prevention operation signal (OL signal) turns on for longer than 100ms. When the output power falls to or below the stall prevention operation level, the output signal turns off.
- Use Pr. 157 OL signal output timer to set whether the OL signal is output immediately or after a preset period of time.
- This operation is also performed when the regeneration avoidance function σL (overvoltage stall) is executed.

Pr. 157 Setting	Description
0 (initial value)	Output immediately
0.1 to 25	Output after the set time (s) has elapsed
9999	Not output



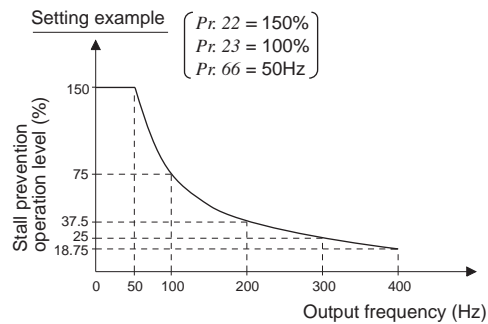
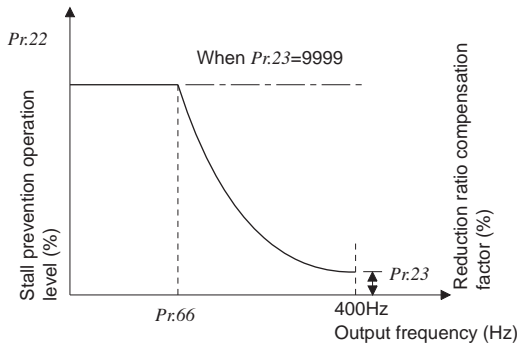
REMARKS

- The OL signal is assigned to the terminal OL in the initial setting. The OL signal can also be assigned to the other terminal by setting "3 (positive logic) or 103 (negative logic)" to any of Pr. 190 to Pr. 196 (output terminal function selection).

CAUTION

- If the frequency has fallen to 0.5Hz by stall prevention operation and remains for 3s, an alarm (E.OLT) appears to shutoff the inverter output.
- When terminal assignment is changed using Pr. 190 to Pr. 196 (output terminal function selection), the other functions may be affected. Please make setting after confirming the function of each terminal.

(3) Setting of stall prevention operation in high frequency range (Pr. 22, Pr. 23, Pr. 66)



- During high-speed operation above the rated motor frequency, acceleration may not be made because the motor current does not increase. If operation is performed in a high frequency range, the current at motor lockup becomes smaller than the rated output current of the inverter, and the protective function (OL) is not executed if the motor is at a stop.

To improve the operating characteristics of the motor in this case, the stall prevention level can be reduced in the high frequency range. This function is effective for performing operation up to the high-speed range on a centrifugal separator etc. Normally, set 50Hz in Pr. 66 and 100% in Pr. 23.

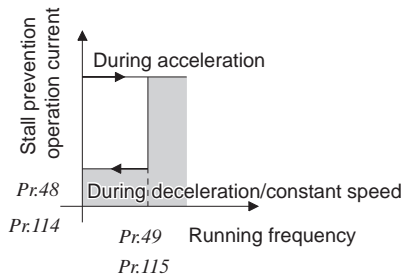
- Formula for stall prevention operation level

$$\text{Stall prevention operation level (\%)} = A + B \times \left[\frac{\text{Pr. 22} - A}{\text{Pr. 22} - B} \right] \times \left[\frac{\text{Pr. 23} - 100}{100} \right]$$

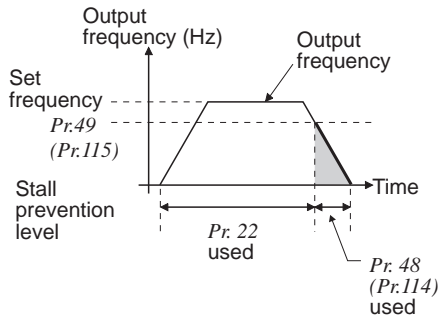
$$\text{However, } A = \frac{\text{Pr. 66(Hz)} \times \text{Pr. 22(\%)}}{\text{Output frequency (H)}}, \quad B = \frac{\text{Pr. 66(Hz)} \times \text{Pr. 22(\%)}}{400\text{Hz}}$$

- When Pr. 23 Stall prevention operation level compensation factor at double speed = "9999" (initial value), the stall prevention operation level is kept constant at the Pr. 22 setting up to 400Hz.

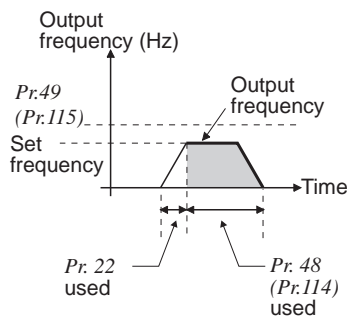
(4) Set multiple stall prevention operation levels (Pr. 48, Pr. 49, Pr. 114, Pr. 115)



Set frequency



Set frequency is



- Setting "9999" in Pr. 49 Second stall prevention operation frequency and turning the RT signal on make Pr. 48 Second stall prevention operation current valid.
- In Pr. 48 (Pr. 114), you can set the stall prevention operation level at the output frequency from 0Hz to that set in Pr. 49 (Pr. 115). During acceleration, however, the operation level is as set in Pr. 22.
- This function can also be used for stop-on-contact or similar operation by decreasing the Pr. 48 (Pr. 114) setting to weaken the deceleration torque (stopping torque).
- Pr. 114 and Pr. 115 are made valid when the X9 signal is on. For the terminal used for X9 signal input, set "9" in any of Pr. 178 to Pr. 189 input terminal function selection to assign the X9 signal function.

Pr. 49 Setting	Pr. 115 Setting	Operation
0 (initial value)		The second (third) stall prevention operation is not performed.
0.01Hz to 400Hz		The second (third) stall prevention operation is performed according to the frequency.*1
9999*2	Setting can not be made.	The second (third) stall prevention function is performed according to the RT signal. RT signal ON ... Stall level Pr. 48 RT signal OFF ... Stall level Pr. 22

*1 The smaller setting of the stall prevention operation levels set in Pr. 22 and Pr. 48 has a higher priority.

*2 When Pr. 868 = "4" (Stall prevention operation level analog input), the stall prevention operation level also switches from the analog input (terminal 1 input) to the stall prevention operation level of Pr. 48 when the RT signal turns on. (The second stall prevention operation level cannot be input in an analog form.)

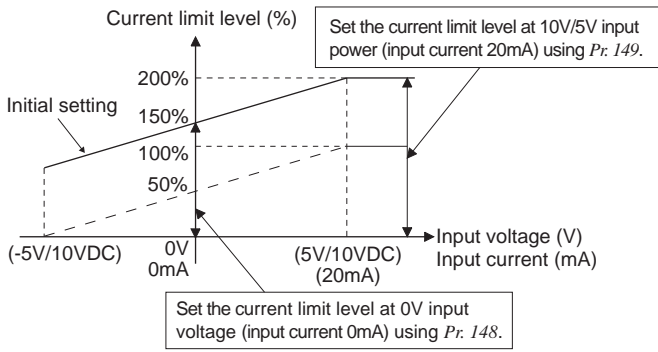
REMARKS

- When Pr. 49 ≠ "9999" (level changed according to frequency) and Pr. 48 = "0%", the stall prevention operation level is 0% at or higher than the frequency set in Pr. 49.
- In the initial setting, the RT signal is assigned to the RT terminal. By setting "3" to any of Pr. 178 to Pr. 189 (input terminal function selection), you can assign the RT signal to the other terminal.

CAUTION

- Changing the terminal assignment using Pr. 178 to Pr. 189 (input terminal function selection) may affect the other functions. Please make setting after confirming the function of each terminal.
- The RT(X9) signal acts as the second (third) function selection signal and makes the other second (third) functions valid. (Refer to page 223)

(5) Stall prevention operation level setting by terminal 1 (terminal 4) (analog variable) (Pr. 148, Pr. 149, Pr. 858, Pr. 868)



- To set the stall prevention operation level using terminal 1 (analog input), set Pr. 868 Terminal 1 function assignment to "4".
- Input 0 to 5V (or 0 to 10V) to terminal 1. Select 5V or 10V using Pr. 73 Analog input selection. When Pr. 73 = "1" (initial value), 0 to ±10V is input.
- To set stall prevention operation level using terminal 4 (analog current input), set "4" in Pr. 858 Terminal 4 function assignment. Input 0 to 20mA to terminal 4. The AU signal need not be turned on.
- Set the current limit level at the input voltage of 0V (0mA) in Pr. 148 Stall prevention level at 0V input
- Set the current limit level at the input voltage of 10V/5V (20mA) in Pr. 149 Stall prevention level at 10V input.

Pr. 858 Setting	Pr. 868 Setting	V/F, Advanced Magnetic Flux Vector Control	
		Terminal 4 function	Terminal 1 function
0 (initial value)	0 (initial value)	Frequency command (AU signal-ON)	Frequency auxiliary
	1		Magnetic flux command
	2		—
	3		—
	4 *1		Stall prevention
	5		—
	6		Torque bias
	9999		—
1	0 (initial value)	Magnetic flux command	—
	1	—	Magnetic flux command
	2	Magnetic flux command	—
	3		—
	4 *1		Stall prevention
	5		—
	6		Torque bias
	9999		—
4 *2	0 (initial value)	Stall prevention	Frequency auxiliary
	1		Magnetic flux command
	2	—	—
	3		—
	4 *1		— *3
	5		—
	6	Stall prevention	Torque bias
	9999		—
9999	—	—	—

*1 When Pr. 868 = "4" (analog stall prevention), other functions of terminal 1 (auxiliary input, override function, PID control) do not function.
 *2 When Pr. 858 = "4" (analog stall prevention), PID control and speed command from terminal 4 do not function even if the AU signal turns on.
 *3 When "4" (stall prevention) is set in both Pr. 858 and Pr. 868, function of terminal 1 has higher priority and terminal 4 has no function.

REMARKS

- The fast-response current limit level cannot be set.

(6) To further prevent an alarm stop (Pr. 154)

- When Pr. 154 is set to "0", the output voltage reduces during stall prevention operation. By making setting to reduce the output voltage, an overcurrent trip can further become difficult to occur.
- Use this function where a torque decrease will not pose a problem.

Pr. 154 Setting	Description
0	Output voltage reduced
1 (initial value)	Output voltage not reduced

(7) Limit the stall prevention operation and fast-response current limit operation according to the operating status (Pr. 156)

Refer to the following table and select whether fast-response current limit operation will be performed or not and the operation to be performed at OL signal output.

Pr. 156 Setting	Fast-response Current Limit ○: Activated ●: Not activated	Stall Prevention Operation Selection ○: Activated ●: Not activated			OL Signal Output ○: Operation continued ●: Operation not continued *1
		Acceleration	Constant speed	Deceleration	
0 (initial value)	○	○	○	○	○
1	●	○	○	○	○
2	○	●	○	○	○
3	●	●	○	○	○
4	○	○	●	○	○
5	●	○	●	○	○
6	○	●	●	○	○
7	●	●	●	○	○
8	○	○	○	●	○
9	●	○	○	●	○
10	○	●	○	●	○
11	●	●	○	●	○
12	○	○	●	●	○
13	●	○	●	●	○
14	○	●	●	●	○
15	●	●	●	●	—*2
16	○	○	○	○	●
17	●	○	○	○	●
18	○	●	○	○	●
19	●	●	○	○	●
20	○	○	●	○	●
21	●	○	●	○	●
22	○	●	●	○	●
23	●	●	●	○	●
24	○	○	○	○	●
25	●	○	○	●	●
26	○	●	○	●	●
27	●	●	○	●	●
28	○	○	●	●	●
29	●	○	●	●	●
30	○	●	●	●	●
31	●	●	●	●	—*2

Pr. 156 Setting	Fast-response Current Limit ○: Activated ●: Not activated	Stall Prevention Operation Selection ○: Activated ●: Not activated			OL Signal Output ○: Operation continued ●: Operation not continued *1
		Acceleration	Constant speed	Deceleration	
100 *3	○	○	○	○	○
100 *3	●	●	●	●	—*2
101 *3	●	○	○	○	○
101 *3	●	●	●	●	—*2

*1 When "Operation not continued for OL signal output" is selected, the "EOL" alarm code (stopped by stall prevention) is displayed and operation stopped.

*2 Since both fast-response current limit and stall prevention are not activated, OL signal and E.OLT are not output.

*3 The settings "100" and "101" allow operations to be performed in the driving and regeneration modes, respectively. The setting "101" disables the fast-response current limit in the driving mode.

CAUTION

- When the load is heavy, when the lift is predetermined, or when the acceleration/deceleration time is short, stall prevention is activated and acceleration/deceleration may not be made according to the preset acceleration/deceleration time. Set Pr. 156 and stall prevention operation level to the optimum values.
- In vertical lift applications, make setting so that the fast-response current limit is not activated. Torque may not be produced, causing a drop due to gravity.

CAUTION

- Do not set a small value as the stall prevention operation current. Otherwise, torque generated will reduce.
- Always perform test operation.
 - Stall prevention operation during acceleration may increase the acceleration time.
 - Stall prevention operation performed during constant speed may cause sudden speed changes.
 - Stall prevention operation during deceleration may increase the deceleration time, increasing the deceleration distance.

◆ Parameters referred to ◆

- Pr. 22 Torque limit level Refer to page 92
- Pr. 73 Analog input selection Refer to page 271
- Pr. 178 to Pr. 189 (Input terminal function selection) Refer to page 219
- Pr. 190 to Pr. 196 (output terminal function selection) Refer to page 226
- Pr. 570 Multiple rating setting Refer to page 147
- Pr. 858 Terminal 4 function assignment, Pr. 868 Terminal 1 function assignment Refer to page 270

4.8.5 Multiple rating (Pr. 570)

You can use the inverter by changing the overload current rating specifications according to load applications. Note that the control rating of each function changes.

Parameter Number	Name	Initial Value	Setting Range	Description
570	Multiple rating setting	2	0 *	SLD Ambient temperature 40°C, Overload current rating 110% 60s, 120% 3s (Inverse time characteristics)
			1 *	LD Ambient temperature 50°C, Overload current rating 120% 60s, 150% 3s (Inverse time characteristics)
			2	ND Ambient temperature 50°C, Overload current rating 150% 60s, 200% 3s (Inverse time characteristics)
			3	HD Ambient temperature 50°C, Overload current rating 200% 60s, 250% 3s (Inverse time characteristics)

* This function is valid for V/F control only. This parameter can be set only when "9999" is set in Pr. 80, Pr. 81, Pr. 453, and Pr. 454.

(1) Parameters whose initial value and setting range are changed by Pr. 570 Multiple rating setting

- The initial value and setting range of the following parameters are changed by performing all parameter clear and reset after changing this parameter setting.

Parameter Number	Name		Pr. 570 Setting				Refer to Page
			0	1	2 (initial value)	3	
9	Electronic thermal O/L relay	Initial Value	SLD rated current *1	LD rated current *1	ND rated current *1	HD rated current *1	173
22	Stall prevention operation level	Setting Range	0 to 400%	0 to 400%	0 to 400%	0 to 400%	92, 142
		Initial Value	110%	120%	150%	200%	
23	Stall prevention operation level compensation factor at double speed	Setting Range	0 to 150%, 9999	0 to 200%, 9999	0 to 200%, 9999	0 to 200%, 9999	142
		Initial Value	9999	9999	9999	9999	
48	Second stall prevention operation current	Setting Range	0 to 120%	0 to 150%	0 to 220%	0 to 280%	142
		Initial Value	110%	120%	150%	200%	
56	Current monitoring reference	Initial Value	SLD rated current *1	LD rated current *1	ND rated current *1	HD rated current *1	245
62	Reference value at acceleration	Setting Range	0 to 120%	0 to 150%	0 to 220%	0 to 280%	171
		Initial Value	9999	9999	9999	9999	
63	Reference value at deceleration	Setting Range	0 to 120%	0 to 150%	0 to 220%	0 to 280%	171
		Initial Value	9999	9999	9999	9999	
114	Third stall prevention operation current	Setting Range	0 to 120%	0 to 150%	0 to 220%	0 to 280%	142
		Initial Value	110%	120%	150%	200%	
148	Stall prevention level at 0V input	Setting Range	0 to 120%	0 to 150%	0 to 220%	0 to 280%	142
		Initial Value	110%	120%	150%	200%	
149	Stall prevention level at 10V input	Setting Range	0 to 120%	0 to 150%	0 to 220%	0 to 280%	142
		Initial Value	120%	150%	200%	250%	
150	Output current detection level	Setting Range	0 to 120%	0 to 150%	0 to 220%	0 to 280%	235
		Initial Value	110%	120%	150%	200%	
152	Zero current detection level	Setting Range	0 to 120%	0 to 150%	0 to 220%	0 to 280%	235
		Initial Value	5%	5%	5%	5%	

Parameter Number	Name		Pr. 570 Setting				Refer to Page
			0	1	2 (initial value)	3	
165	Stall prevention operation level for restart	Setting Range	0 to 120%	0 to 150%	0 to 220%	0 to 280%	250
		Initial Value	110%	120%	150%	200%	
271	High-speed setting maximum current	Setting Range	0 to 120%	0 to 150%	0 to 220%	0 to 280%	356
		Initial Value	50%	50%	50%	50%	
272	Middle-speed setting minimum current	Setting Range	0 to 120%	0 to 150%	0 to 220%	0 to 280%	356
		Initial Value	100%	100%	100%	100%	
279	Brake opening current	Setting Range	0 to 220%	0 to 220%	0 to 220%	0 to 280%	205
		Initial Value	130%	130%	130%	130%	
557	Current average value monitor signal output reference current	Initial Value	SLD rated current *1	LD rated current *1	ND rated current *1	HD rated current *1	372
893	Energy saving monitor reference (motor capacity)	Initial Value	SLD value of applied motor capacity *1	LD value of applied motor capacity *1	ND value of applied motor capacity *1	HD value of applied motor capacity *1	263

*1 The rated current differs according to the inverter capacity. Refer to rated specifications (page 420).

CAUTION

· When Pr. 570 = "0 or 1", Pr. 260 PWM frequency automatic switchover becomes valid. (Refer to page 268.)

(2) Precautions for the FR-A740-01800 or less and FR-A740-02160 or more

If Pr. 570 is set to "0 (SLD) or 1 (LD)" when using FR-A740-01800, specifications of the inverter change to that of the FR-A740-02160. Setting change of Pr. 570 is made valid after all parameter clear and inverter reset.

Inverter	Multiple Rating Setting	Parameter Setting
A740-01800	SLD	The inverter operates in the same manner as the FR-A740-02160 or more. Parameter setting range, minimum setting increments, initial values, etc. change to those of the 02160 or more. Refer to the parameter list for parameters whose values change.
	LD	
	ND	No change
	HD	
A740-02160	SLD	No change
	LD	
	ND	
	HD	

For example, when using the FR-A740-01800, setting "0" in Pr. 570 and performing inverter reset after all parameter clear will change the setting range of Pr. 9 from "0 to 500A" to "0 to 3600A" and the minimum setting increments from "0.01A" to "0.1A". (Refer to the parameter list for other parameters.)



4.9 Limit the output frequency

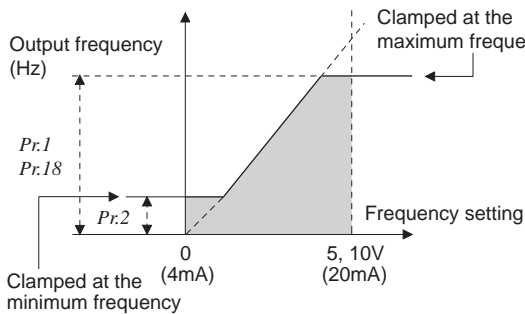
Purpose	Parameter that must be Set		Refer to Page
Set upper limit and lower limit of output frequency	Maximum/minimum frequency	Pr. 1, Pr. 2, Pr. 18	149
Perform operation by avoiding mechanical resonance points	Frequency jump	Pr. 31 to Pr. 36	150

4.9.1 Maximum/minimum frequency (Pr. 1, Pr. 2, Pr. 18)

You can limit the motor speed. Clamp the upper and lower limits of the output frequency.

Parameter Number	Name	Initial Value		Setting Range	Description
1	Maximum frequency	01800 or less	120Hz	0 to 120Hz	Set the upper limit of the output frequency.
		02160 or more	60Hz		
2	Minimum frequency	0Hz		0 to 120Hz	Set the lower limit of the output frequency.
18	High speed maximum frequency	01800 or less	120Hz	120 to 400Hz	Set when performing the operation at 120Hz or more.
		02160 or more	60Hz		

(1) Set maximum frequency



- Set the upper limit of the output frequency in *Pr. 1 Maximum frequency*. If the frequency of the frequency command entered is higher than the setting, the output frequency is clamped at the maximum frequency.
- When you want to perform operation above 120Hz, set the upper limit of the output frequency to *Pr. 18 High speed maximum frequency*. (When *Pr. 18* is set, *Pr. 1* automatically switches to the frequency of *Pr. 18*. When *Pr. 18* is set, *Pr. 18* automatically switches to the frequency of *Pr. 1*.)

REMARKS

- When performing operation above 50Hz using the frequency setting analog signal, change *Pr. 125 (Pr. 126) (frequency setting gain)*. If only *Pr. 1* or *Pr. 18* is changed, operation above 60Hz cannot be performed.

(2) Set minimum frequency

- Use *Pr. 2 Minimum frequency* to set the lower limit of the output frequency.
- The output frequency is clamped by the *Pr. 2* setting even if the set frequency is lower than the *Pr. 2* setting (The frequency will not decrease to the *Pr. 2* setting.)

REMARKS

- When *Pr. 15 Jog frequency* is equal to or less than *Pr. 2*, the *Pr. 15* setting has precedence over the *Pr. 2* setting.
- When stall prevention is activated to decrease the output frequency, the output frequency may drop to *Pr. 2* or below.

CAUTION

Note that when *Pr. 2* is set to any value higher than *Pr. 13 Starting frequency*, simply turning on the start signal will run the motor at the preset frequency according to the set acceleration time even if the command frequency is not input.

◆ Parameters referred to ◆

Pr. 13 Starting frequency Refer to page 167

Pr. 15 Jog frequency Refer to page 160

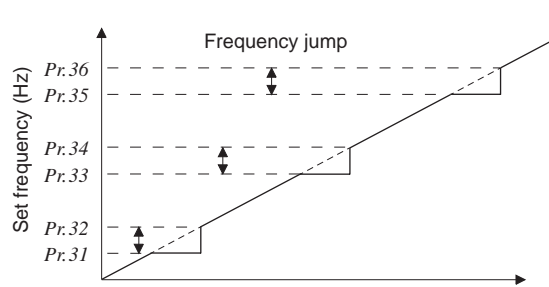
Pr. 125 Terminal 2 frequency setting gain frequency, Pr. 126 Terminal 4 frequency setting gain frequency Refer to page 277



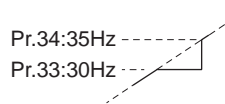
4.9.2 Avoid mechanical resonance points (Frequency jump) (Pr. 31 to Pr. 36)

When it is desired to avoid resonance attributable to the natural frequency of a mechanical system, these parameters allow resonant frequencies to be jumped.

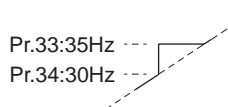
Parameter Number	Name	Initial Value	Setting Range	Description
31	Frequency jump 1A	9999	0 to 400Hz, 9999	1A to 1B, 2A to 2B, 3A to 3B is frequency jumps 9999: Function invalid
32	Frequency jump 1B	9999	0 to 400Hz, 9999	
33	Frequency jump 2A	9999	0 to 400Hz, 9999	
34	Frequency jump 2B	9999	0 to 400Hz, 9999	
35	Frequency jump 3A	9999	0 to 400Hz, 9999	
36	Frequency jump 3B	9999	0 to 400Hz, 9999	



- Up to three areas may be set, with the jump frequencies set to either the top or bottom point of each area.
- The settings of frequency jumps 1A, 2A, 3A are jump points, and operation is performed at these frequencies in the jump areas.



Example 1 To fix the frequency to 30Hz in the range 30Hz to 35Hz, set 35Hz in Pr. 34 and 30Hz in Pr. 33.



Example 2 To jump the frequency to 35Hz in the range 30Hz to 35Hz, set 35Hz in Pr. 33 and 30Hz in Pr. 34.

CAUTION

- During acceleration/deceleration, the running frequency within the set area is valid.

4.10 Set V/F pattern

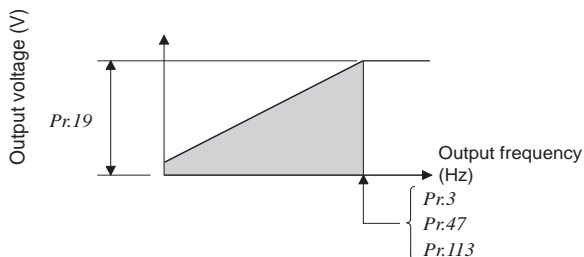
Purpose	Parameter that must be Set		Refer to Page
Set motor ratings	Base frequency, base frequency voltage	Pr. 3, Pr. 19, Pr. 47, Pr. 113	151
Select a V/F pattern according to applications	Load pattern selection	Pr. 14	153
Automatically set a V/F pattern for elevators	Elevator mode (automatic acceleration/deceleration)	Pr. 61, Pr. 64, Pr. 292	155
Use special motor	Adjustable 5 points V/F	Pr. 71, Pr. 100 to Pr. 109	157

4.10.1 Base frequency, voltage (Pr. 3, Pr. 19, Pr. 47, Pr. 113)

Used to adjust the inverter outputs (voltage, frequency) to the motor rating.

Parameter Number	Name	Initial Value	Setting Range	Description
3	Base frequency	50Hz	0 to 400Hz	Set the frequency when the motor rated torque is generated. (50Hz/60Hz)
19	Base frequency voltage	8888	0 to 1000V	Set the base voltage.
			8888	95% of power supply voltage
			9999	Same as power supply voltage
47	Second V/F (base frequency)	9999	0 to 400Hz	Set the base frequency when the RT signal is on.
			9999	Second V/F invalid
113	Third V/F (base frequency)	9999	0 to 400Hz	Set the base frequency when the X9 signal is ON.
			9999	Third V/F is invalid

(1) Setting of base frequency (Pr. 3)



- When operating a standard motor, generally set the rated frequency of the motor to *Pr. 3 Base frequency*. When running the motor using commercial power supply-inverter switch-over operation, set *Pr. 3* to the same value as the power supply frequency.
- If the frequency given on the motor rating plate is "60Hz" only, always set to "60Hz". It may result in an inverter trip due to overload. Special care must be taken when "1" (reduced torque load) is set in *Pr. 14 Load pattern selection*.
- When using the Mitsubishi constant-torque motor, set *Pr. 3* to 60Hz.

(2) Set multiple base frequencies (Pr. 47, Pr. 113)

- When you want to change the base frequency when switching two motors with one inverter, use the *Pr. 47 Second V/F (base frequency)*.
- Pr. 47 Second V/F (base frequency)* is made valid when the RT signal is ON and *Pr. 113 Third V/F (base frequency)* is made valid when the X9 signal is on. Assign the terminal for X9 signal input using any of *Pr. 178 to Pr. 189 (input terminal function selection)*.

REMARKS

- The RT(X9) signal acts as the second (third) function selection signal and makes the other second (third) functions valid. (Refer to page 223)
- In the initial setting, the RT signal is assigned to the RT terminal. By setting "3" in any of *Pr. 178 to Pr. 189 (input terminal function selection)*, you can assign the RT signal to the other terminal.



(3) Base frequency voltage setting (Pr. 19)

- Use Pr. 19 Base frequency voltage to set the base voltage (e.g. rated motor voltage).
- If the setting is less than the power supply voltage, the maximum output voltage of the inverter is as set in Pr. 19.
- Pr. 19 can be utilized in the following cases.
 - (a) When regeneration frequency is high (e.g. continuous regeneration)
During regeneration, the output voltage becomes higher than the reference and may cause an overcurrent trip (E.OC□) due to an increased motor current.
 - (b) When power supply voltage variation is large
When the power supply voltage exceeds the rated voltage of the motor, speed variation or motor overheat may be caused by excessive torque or increased motor current.
 - (c) When you want to expand constant-power characteristic range
To expand the constant-power range at the base frequency or less, set a value greater than the power supply voltage to Pr. 19.









REMARKS

When operation is discontinued under vector control due to failure of an encoder, etc., setting "20" in Pr. 800 Control method selection enables V/F control operation.

CAUTION

- When advanced magnetic flux vector control mode, real sensorless vector control or vector control is selected, Pr. 3, Pr. 47, Pr. 113 and Pr. 19 are made invalid and Pr. 83 and Pr. 84 are made valid.
Note that Pr. 3 or Pr. 47 and Pr. 113 values are made valid as inflection points of S-pattern when Pr. 29 Acceleration/deceleration pattern selection = "1" (S-pattern acceleration/deceleration A).
- When Pr. 71 Applied motor is set to "2" (adjustable 5 points V/F characteristic), the Pr. 47 and Pr. 113 setting becomes invalid. In addition, you cannot set "8888" or "9999" in Pr. 19.
- Changing the terminal assignment using Pr. 178 to Pr. 189 (input terminal function selection) may affect the other functions. Make setting after confirming the function of each terminal.

◆ Parameters referred to ◆

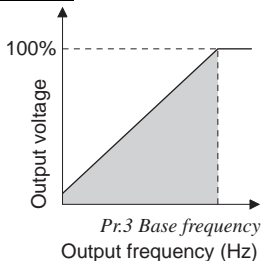
Pr. 14 Load pattern selection  Refer to page 153
 Pr. 29 Acceleration/deceleration pattern selection  Refer to page 168
 Pr. 71 Applied motor  Refer to page 176
 Pr. 80 Motor capacity  Refer to page 85.
 Pr. 83 Motor rated voltage, Pr. 84 Rated motor frequency  Refer to page 178.
 Pr. 178 to Pr. 189 (input terminal function selection)  Refer to page 219.
 Advanced magnetic flux vector control  Refer to page 138.
 Real sensorless vector control  Refer to page 85.

4.10.2 Load pattern selection (Pr. 14)

You can select the optimum output characteristic (V/F characteristic) for the application and load characteristics.

Parameter Number	Name	Initial Value	Setting Range	Description
14	Load pattern selection	0	0	For constant torque load
			1	For reduced-torque load
			2	For constant torque elevators (at reverse rotation boost of 0%)
			3	For constant torque elevators (at forward rotation boost of 0%)
			4	RT signal on ...for constant torque load RT signal off ...for constant torque elevators at reverse rotation boost of 0%
			5	RT signal on ...for constant torque load RT signal off ...for constant torque elevators at forward rotation boost of 0%

Pr.14=0



(1) For constant-torque load (setting "0", initial value)

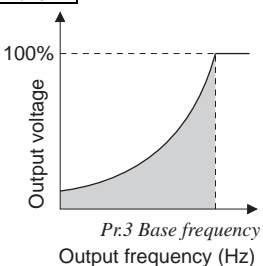
- At or less than the base frequency, the output voltage varies linearly with the output frequency.
- Set this value when driving the load whose load torque is constant even if the speed varies, e.g. conveyor, cart or roll drive.

POINT

If the load is a fan or pump, select "for rated torque load (setting "0")" in any of the following cases.

- When a blower of large moment of inertia (J) is accelerated in a short time
- For constant-torque load such as rotary pump or gear pump
- When load torque increases at low speed, e.g. screw pump

Pr.14=1

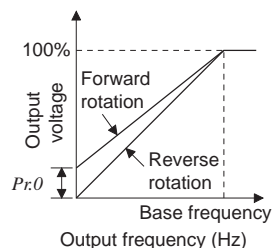


(2) For variable-torque load (setting "1")

- At or less than the base frequency, the output voltage varies with the output frequency in a square curve.
- Set this value when driving the load whose load torque varies in proportion to the square of the speed, e.g. fan or pump.

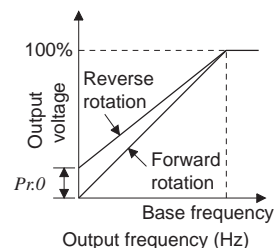
Pr.14=2

For vertical lift loads
At forward rotation boost...Pr.0 setting
At reverse rotation boost...0%



Pr.14=3

For vertical lift loads
At forward rotation boost...0%
At reverse rotation boost...Pr.0 setting



(3) Vertical lift load applications (setting values "2, 3")

- Set "2" when a vertical lift load is fixed as power driving load at forward rotation and regenerative load at reverse rotation.
- Pr. 0 Torque boost is valid during forward rotation and torque boost is automatically changed to "0%" during reverse rotation.
- Set "3" for an elevated load that is in the driving mode during reverse rotation and in the regenerative load mode during forward rotation according to the load weight, e.g. counterweight system.

REMARKS

- When torque is continuously regenerated as vertical lift load, it is effective to set the rated voltage in Pr. 19 Base frequency voltage to prevent trip due to current at regeneration.



Pr. 14 Setting	RT(X17) Signal	Output Characteristics
4	ON	For constant torque load (same as when the setting is "0")
	OFF	For elevators at reverse rotation boost of 0% (same as when the setting is "2")
5	ON	For constant torque load (same as when the setting is "0")
	OFF	For elevators at forward rotation boost of 0% (same as when the setting is "3")

(4) Change load pattern selection using terminal (setting values are "4, 5")

- Output characteristic can be switched between for constant torque load and for elevator using the RT signal or X17 signal.
- For the terminal used for X17 signal input, set "17" in any of *Pr. 178 to Pr. 189 (input terminal function selection)* to assign the function. When X17 is assigned, switchover by the RT signal is made invalid.

REMARKS

- The RT signal is assigned to the terminal RT in the initial setting. By setting "3" in any of *Pr. 178 to Pr. 189 (input terminal function selection)*, the RT signal can be assigned to the other terminal.

CAUTION

- When advanced magnetic flux vector control, real sensorless vector control or vector control is selected, this parameter setting is ignored.
- Changing the terminal assignment using *Pr. 178 to Pr. 189 (input terminal function selection)* may affect the other functions. Make setting after confirming the function of each terminal. When the RT signal is on, the other second functions are also valid.

◆ Parameters referred to ◆

Pr. 0 Torque boost Refer to page 136
Pr. 3 Base frequency Refer to page 151
Pr. 178 to Pr. 189 (input terminal function selection) Refer to page 219
Advanced magnetic flux vector control Refer to page 138.
Real sensorless vector control Refer to page 85.

4.10.3 Elevator mode (automatic acceleration/deceleration) (Pr. 61, Pr. 64, Pr. 292)

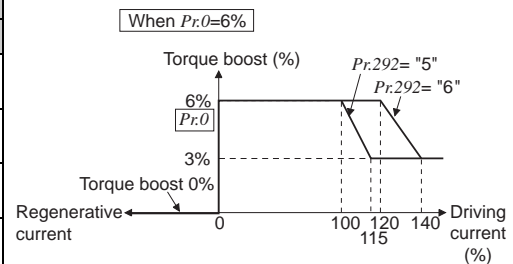
Operation matching a load characteristic of elevator with counterweight can be performed.

Parameter Number	Name	Initial Value	Setting Range		Description	
61	Reference current	9999	01800 or less	0 to 500A	Set the reference current for elevator mode.	
			02160 or more	0 to 3600A		
			9999		Rated inverter current value reference	
64	Starting frequency for elevator mode	9999	0 to 10%		Set the starting frequency for the elevator mode.	
			9999		Starting frequency 2Hz	
292	Automatic acceleration/ deceleration	0	0		Normal mode	
			1	Minimum acceleration/ deceleration (without brake)		(Refer to page 171.)
			11	Minimum acceleration/ deceleration (with brake)		
			3	Optimum acceleration/ deceleration		
			5	Elevator mode 1 (stall prevention operation level 150%)		
			6	Elevator mode 2 (stall prevention operation level 180%)		
			7, 8	Brake sequence mode 1, 2 (Refer to page 205.)		

(1) Elevator mode

- When "5" or "6" is set in Pr. 292 Automatic acceleration/deceleration, elevator mode is selected and each setting is changed as in the table below.
- Enough torque is generated during power driving and the torque boost value is automatically changed during regeneration and operation without load so that overcurrent protection function does not activate due to over excitation.

	Normal Mode	Elevator Mode	
		Pr. 292 = 5	Pr. 292 = 6
Torque boost	Pr. 0 (6/4/3/2%)	Changes according to the output current (right chart)	
Starting frequency	Pr. 13 (0.5Hz)	Pr. 64 (2Hz) Accelerate after maintaining 100ms	
Base frequency voltage	Pr. 19 (8888)	440V	
Stall prevention operation level	Pr. 22 (150%) etc.	150%	180%



- When operating the elevator with load more than the rated inverter current, the maximum torque may become insufficient. For the elevator without counterweight, setting "2 or 3" (for elevator load) in Pr. 14 Load pattern selection and an appropriate value in Pr. 19 Base frequency voltage will generate larger maximum torque than when elevator mode is selected.

REMARKS

- Stall prevention operation level automatically decreases according to the electronic thermal relay function cumulative value, to prevent inverter overload shut-off (E.THT, E.THM).
- When elevator mode (Pr. 292 = 5, 6) is set with automatic acceleration / deceleration set, the stall prevention operation level is changed as shown below.

		SLD	LD	ND	HD
		Pr. 570 = 0	Pr. 570 = 1	Pr. 570 = 2	Pr. 570 = 3
Stall prevention operation level	Pr. 292 = 5	110%	120%	150%	200%
	Pr. 292 = 6	115%	140%	180%	230%



(2) Adjustment of elevator mode (Pr. 61, Pr. 64)


- By setting the adjustment parameters Pr. 61 and Pr. 64, the application range can be made wider.

Parameter Number	Name	Setting Range		Description
61	Reference current	01800 or less	0 to 500A	For example, when the motor and inverter are different in capacity, set the rated motor current value. Set reference current (A) of the stall prevention operation level
		02160 or more	0 to 3600A	
		9999 (initial value)		The rated inverter output current is defined as reference.
64	Starting frequency for elevator mode	0 to 10Hz		Set the starting frequency for the elevator mode.
		9999 (initial value)		Starting frequency 2Hz

REMARKS

- Even if automatic acceleration/deceleration has been selected, inputting the jog signal (jog operation), RT signal (second function selection) or X9 signal (third function selection) during an inverter stop will switch to the normal operation and give priority to jog operation or second and third function selection. Note that JOG and RT signal input is invalid even if JOG signal and RT signal are input during operation with acceleration/deceleration selected.
- Elevator mode is invalid when advanced magnetic flux vector, real sensorless vector control or vector control is selected.
- Since the Pr. 61 and Pr. 64 settings automatically return to the initial value (9999) if the Pr. 292 setting is changed, set Pr. 292 first when you need to set Pr. 61 and Pr. 64.

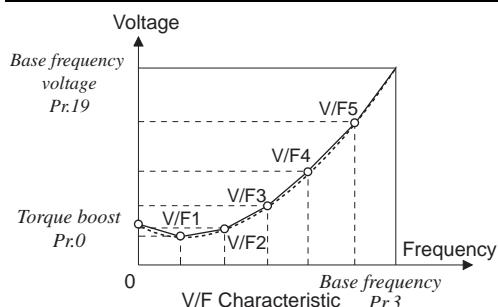
◆ Parameters referred to ◆

Pr. 570 Multiple rating setting  Refer to page 147

4.10.4 Adjustable 5 points V/F (Pr. 71, Pr. 100 to Pr. 109) V/F

A dedicated V/F pattern can be made by freely setting the V/F characteristic between a startup and the base frequency and base voltage under V/F control (frequency voltage/frequency). The torque pattern that is optimum for the machine's characteristic can be set.

Parameter Number	Name	Initial Value	Setting Range	Description
71	Applied motor	0	0 to 8, 13 to 18, 20, 23, 24, 30, 33, 34, 40, 43, 44, 50, 53, 54	Set "2" for adjustable 5 points V/F control.
100	V/F1(first frequency)	9999	0 to 400Hz, 9999	Set each points (frequency, voltage) of V/F pattern. 9999: No V/F setting
101	V/F1(first frequency voltage)	0V	0 to 1000V	
102	V/F2(second frequency)	9999	0 to 400Hz, 9999	
103	V/F2(second frequency voltage)	0V	0 to 1000V	
104	V/F3(third frequency)	9999	0 to 400Hz, 9999	
105	V/F3(third frequency voltage)	0V	0 to 1000V	
106	V/F4(fourth frequency)	9999	0 to 400Hz, 9999	
107	V/F4(fourth frequency voltage)	0V	0 to 1000V	
108	V/F5(fifth frequency)	9999	0 to 400Hz, 9999	
109	V/F5(fifth frequency voltage)	0V	0 to 1000V	



- Any V/F characteristic can be provided by presetting the parameters of V/F1 (first frequency voltage/first frequency) to V/F5.
- For a machine of large static friction coefficient and small dynamic static friction coefficient, for example, set a V/F pattern that will increase the voltage only in a low-speed range since such a machine requires large torque at a start.

(Setting procedure)

- Set the rated motor voltage in Pr. 19 Base frequency voltage. (No function at the setting of "9999" (initial value) or "8888".)
- Set Pr. 71 Applied motor to "2" (Adjustable 5 points V/F characteristic).
- Set the frequency and voltage you want to set in Pr. 100 to Pr. 109.

⚠ CAUTION

- ⚠ Set this parameter correctly according to the motor used. Incorrect setting may cause the motor to overheat and burn.

CAUTION

- Adjustable 5 points V/F characteristics function only under V/F control. They do not function under advanced magnetic flux vector control, real sensorless vector control or vector control.
- When Pr. 19 Base frequency voltage = "8888" or "9999", Pr. 71 cannot be set to "2". To set Pr. 71 to "2", set the rated voltage value in Pr. 19.
- When the frequency values at each point are the same, a write disable error (Er 1) appears.
- Set the points (frequencies, voltages) of Pr. 100 to Pr. 109 within the ranges of Pr. 3 Base frequency and Pr. 19 Base frequency voltage.
- When "2" is set in Pr. 71, Pr. 47 Second V/F (base frequency) and Pr. 113 Third V/F (base frequency) will not function.
- When Pr. 71 is set to "2", the electronic thermal relay function makes calculation as a standard motor.

REMARKS

- A greater energy saving effect can be expected by combining Pr. 60 Energy saving control selection and adjustable 5 points V/F.
- For the 00170, 00250, the Pr. 0 Torque boost and Pr. 12 DC injection brake operation voltage settings are automatically changed according to the Pr. 71 setting as follows.

Pr. 71	Standard Motor Setting 0, 2, 3 to 8, 20, 23, 24, 40, 43, 44	Constant Torque Motor Setting 1, 13 to 18, 50, 53, 54
Pr. 0	3%	2%
Pr. 12	4%	2%

◆ Parameters referred to ◆

- Pr. 3 Base frequency, Pr. 19 Base frequency voltage Refer to page 151
- Pr. 12 DC injection brake operation voltage Refer to page 191
- Pr. 47 Second V/F (base frequency), Pr. 113 Third V/F (base frequency) Refer to page 151
- Pr. 60 Energy saving control selection Refer to page 262
- Pr. 71 Applied motor, Pr. 450 Second applied motor Refer to page 176
- Advanced magnetic flux vector control Refer to page 138
- Real sensorless vector control Refer to page 85
- Vector control Refer to page 85

4.11 Frequency setting by external terminals

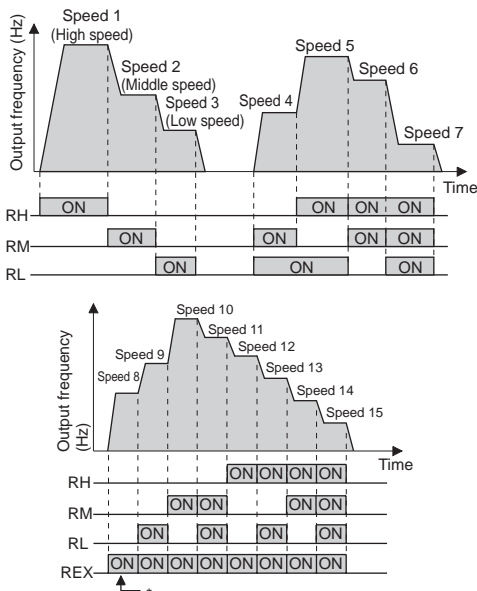
Purpose	Parameter that must be Set	Refer to Page
Make frequency setting by combination of terminals	Multi-speed operation Pr. 4 to Pr. 6, Pr. 24 to Pr. 27, Pr. 232 to Pr. 239	158
Perform jog operation	Jog operation Pr. 15, Pr. 16	160
Added compensation for multi-speed setting and remote setting	Multi-speed input compensation selection Pr. 28	162
Infinitely variable speed setting by terminals	Remote setting function Pr. 59	162

4.11.1 Multi-speed setting operation (Pr. 4 to Pr. 6, Pr. 24 to Pr. 27, Pr. 232 to Pr. 239)

Can be used to change the preset speed in the parameter with the contact terminals.
Any speed can be selected by merely turning on-off the contact signals (RH, RM, RL, REX signals).

Parameter Number	Name	Initial Value	Setting Range	Description
4	Multi-speed setting (high speed)	50Hz	0 to 400Hz	Set the frequency when RH turns on.
5	Multi-speed setting (middle speed)	30Hz	0 to 400Hz	Set the frequency when RM turns on.
6	Multi-speed setting (low speed)	10Hz	0 to 400Hz	Set the frequency when RL turns on.
24	Multi-speed setting (speed 4)	9999	0 to 400Hz, 9999	Frequency from speed 4 to speed 15 can be set according to the combination of the RH, RM, RL and REX signals. 9999: not selected
25	Multi-speed setting (speed 5)	9999	0 to 400Hz, 9999	
26	Multi-speed setting (speed 6)	9999	0 to 400Hz, 9999	
27	Multi-speed setting (speed 7)	9999	0 to 400Hz, 9999	
232	Multi-speed setting (speed 8)	9999	0 to 400Hz, 9999	
233	Multi-speed setting (speed 9)	9999	0 to 400Hz, 9999	
234	Multi-speed setting (speed 10)	9999	0 to 400Hz, 9999	
235	Multi-speed setting (speed 11)	9999	0 to 400Hz, 9999	
236	Multi-speed setting (speed 12)	9999	0 to 400Hz, 9999	
237	Multi-speed setting (speed 13)	9999	0 to 400Hz, 9999	
238	Multi-speed setting (speed 14)	9999	0 to 400Hz, 9999	
239	Multi-speed setting (speed 15)	9999	0 to 400Hz, 9999	

The above parameters allow its setting to be changed during operation in any operation mode even if "0" (initial value) is set in Pr. 77 Parameter write selection.



(1) Multi-speed setting (Pr. 4 to Pr. 6)

- Operation is performed at the frequency set in Pr. 4 when the RH signal turns on, Pr. 5 when the RM signal turns on, and Pr. 6 when the RL signal turns on.

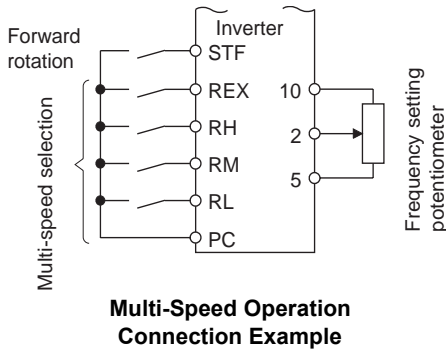
REMARKS

- In the initial setting, if two or three speeds are simultaneously selected, priority is given to the set frequency of the lower signal. For example, when the RH and RM signals turn on, the RM signal (Pr. 5) has a higher priority.
- The RH, RM, RL signals are assigned to the terminal RH, RM, RL in the initial setting. By setting "0 (RL)", "1 (RM)", "2 (RH)" in any of Pr.178 to Pr.189 (input terminal function assignment), the signals can be assigned to other terminals.

(2) Multi-speed setting higher than speed 4 (Pr. 24 to Pr. 27, Pr. 232 to Pr. 239)

- Frequency from speed 4 to speed 15 can be set according to the combination of the RH, RM, RL and REX signals. Set the running frequencies in Pr. 24 to Pr. 27, Pr. 232 to Pr. 239. (In the initial value setting, speed 4 to speed 15 are unavailable.)
- For the terminal used for REX signal input, set "8" in any of Pr. 178 to Pr. 189 (input terminal function selection) to assign the function.

* When "9999" is set in Pr. 232 Multi-speed setting (speed 8), operation is performed at frequency set in Pr. 6 when RH, RM and RL are turned off and REX is turned on.



REMARKS

- The priorities of the frequency commands by the external signals are "jog operation > multi-speed operation > terminal 4 analog input > terminal 2 analog input". (Refer to page 277 for the frequency command by analog input)
- Valid in external operation mode or PU/external combined operation mode (Pr. 79 = "3" or "4").
- Multi-speed parameters can also be set in the PU or external operation mode.
- Pr. 24 to Pr. 27 and Pr. 232 to Pr. 239 settings have no priority between them.
- When a value other than "0" is set in Pr. 59 Remote function selection, the RH, RM and RL signals are used as the remote setting signals and the multi-speed setting becomes invalid.
- When making analog input compensation, set "1" in Pr. 28 Multi-speed input compensation selection.

CAUTION

- Changing the terminal assignment using Pr. 178 to Pr. 189 (input terminal function selection) may affect the other functions. Make setting after confirming the function of each terminal.

◆ Parameters referred to ◆

- Pr. 15 Jog frequency Refer to page 160
- Pr. 28 Multi-speed input compensation selection Refer to page 162
- Pr. 59 Remote function selection Refer to page 162
- Pr. 79 Operation mode selection Refer to page 295
- Pr. 178 to Pr. 189 (input terminal function selection) Refer to page 219

4.11.2 Jog operation (Pr. 15, Pr. 16)

You can set the frequency and acceleration/deceleration time for jog operation. Jog operation can be performed from either the outside or PU.

Can be used for conveyor positioning, test operation, etc.

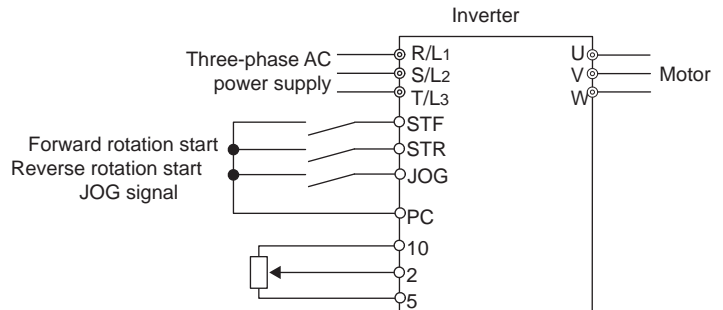
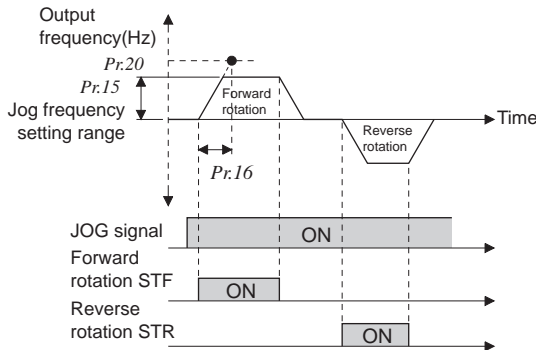
Parameter Number	Name	Initial Value	Setting Range	Description
15	Jog frequency	5Hz	0 to 400Hz	Set the frequency for jog operation.
16	Jog acceleration/deceleration time	0.5s	0 to 3600/360s*	Set the acceleration/deceleration time for jog operation. Set the time taken to reach the frequency set in Pr. 20 Acceleration/deceleration reference frequency for acceleration/deceleration time. (Initial value is 60Hz) The acceleration and deceleration time cannot be set separately.

The above parameters are displayed as simple mode parameters only when the parameter unit (FR-PU04/FR-PU07) is connected. When the operation panel (FR-DU07) is connected, the above parameters can be set only when Pr. 160 User group read selection = "0". (Refer to page 293)

* When the setting of Pr. 21 Acceleration/deceleration time increments is "0" (initial value), the setting range is "0 to 3600s" and the setting increments are "0.1s", and when the setting is "1", the setting range is "0 to 360s" and the setting increments are "0.01s"

(1) Jog operation from outside

- When the jog signal is on, a start and stop can be made by the start signal (STF, STR). (The jog signal is assigned to the terminal JOG in the initial setting)



Connection diagram for external jog operation

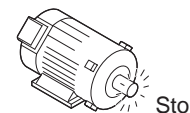
Operation

- Screen at powering on
 - Confirm that the external operation mode is selected. ([EXT] lit)
 - If not displayed, press $\left(\frac{PU}{EXT}\right)$ to change to the external [EXT] operation mode.
 - If the operation mode still does not change, set Pr. 79 to change to the external operation mode.
- Turn the JOG switch on.
- Turn the start switch (STF or STR) on.
 - The motor rotates while start switch (STF or STR) is ON.
 - Rotates at 5Hz. (Initial value of Pr. 15)
- Turn the start switch (STF or STR) off.

Indication



Rotates while ON

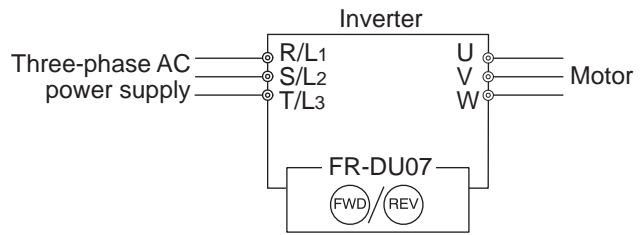


REMARKS

- When you want to change the running frequency, change Pr. 15 Jog frequency . (initial value "5Hz")
- When you want to change the acceleration/deceleration time change Pr. 16 Jog acceleration/deceleration time . (initial value "0.5s")

(2) Jog operation from PU

- Set the PU (FR-DU07/FR-PU07/FR-PU04) to the jog operation mode. Operation is performed only while the start button is pressed.



Operation

- Confirmation of the RUN indication and operation mode indication
 - The monitor mode should have been selected.
 - The inverter should be at a stop.
- Press **PU/EXT** to choose the PU JOG operation mode.
- Press **FWD** (or **REV**).
 - While **FWD** (or **REV**) is pressed, the motor rotates.
 - Rotates at 5Hz. (initial value of Pr. 15)
- Release **FWD** (or **REV**).

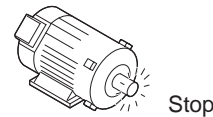
Indication



Hold down.

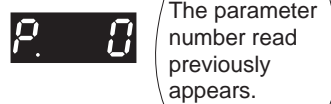
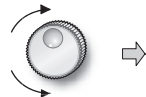
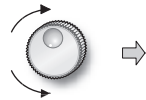


Release



[When changing the frequency of PU JOG operation]

- Press **MODE** to choose the parameter setting mode.
- Turn **▲** until Pr. 15 JOG frequency appears.
- Press **SET** to show the currently set value. (5Hz)
- Turn **▲** to set the value to "10.00". (10Hz)
- Press **SET** to set.
- Perform the operations in steps 1 to 4. The motor rotates at 10Hz.



(The parameter number read previously appears.)



Flicker ··· Parameter setting complete!!

CAUTION

- When Pr. 29 Acceleration/deceleration pattern selection = "1" (S-pattern acceleration/deceleration A), the acceleration/deceleration time is the period of time required to reach Pr. 3 Base frequency.
- The Pr. 15 setting should be equal to or higher than the Pr. 13 Starting frequency setting.
- The JOG signal can be assigned to the input terminal using any of Pr. 178 to Pr. 189 (input terminal function selection). When terminal assignment is changed, the other functions may be affected. Please make setting after confirming the function of each terminal.
- During jog operation, the second acceleration/deceleration via the RT signal cannot be selected. (The other second functions are valid. (Refer to page 223))
- When Pr. 79 Operation mode selection = "4", push **FWD** / **REV** of the PU (FR-DU07/FR-PU04/FR-PU07) to make a start or push **STOP/RESET** to make a stop.
- This function is invalid when Pr. 79 = "3" or "6".
- Jog operation is invalid under position control.

◆ Parameters referred to ◆

- Pr. 13 Starting frequency Refer to page 167
- Pr. 29 Acceleration/deceleration pattern selection Refer to page 168
- Pr. 20 Acceleration/deceleration reference frequency, Pr. 21 Acceleration/deceleration time increments Refer to page 165
- Pr. 79 Operation mode selection Refer to page 295
- Pr. 178 to Pr. 189 (input terminal function selection) Refer to page 219

4.11.3 Input compensation of multi-speed and remote setting (Pr. 28)

By inputting the frequency setting compensation signal (terminal 1, 2), the speed (frequency) can be compensated for relative to the multi-speed setting or the speed setting by remote setting function.

Parameter Number	Name	Initial Value	Setting Range	Description
28	Multi-speed input compensation selection	0	0	Without compensation
			1	With compensation

REMARKS

- Select the terminal (terminal 1, 2) used for compensation input voltage (0 to ±5V, 0 to ±10) using Pr. 73 Analog input selection.
- When using terminal 1 for compensation input, set "0" (initial value) in Pr. 868 Terminal 1 function assignment.

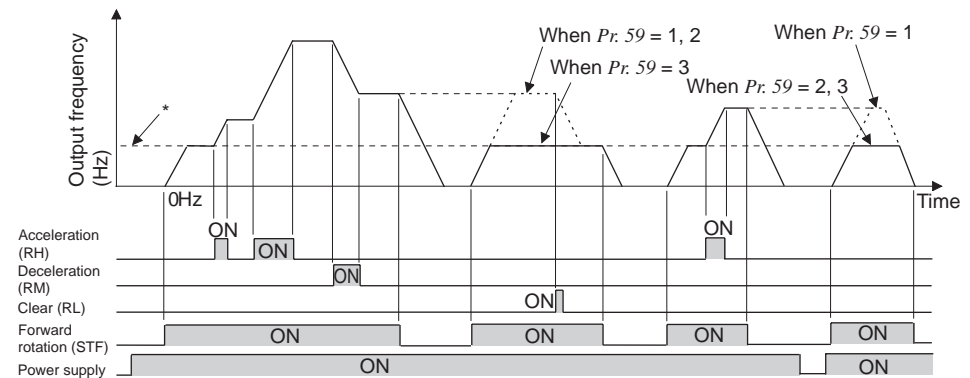
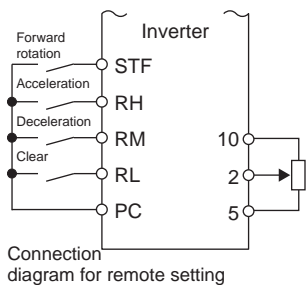
◆ Parameters referred to ◆

Pr. 4 to Pr. 6, Pr. 24 to Pr. 27, Pr. 232 to Pr. 239 (multi-speed operation) Refer to page 158
 Pr. 73 Analog input selection Refer to page 271
 Pr. 59 Remote function selection Refer to page 162
 Pr. 868 Terminal 1 function assignment Refer to page 270

4.11.4 Remote setting function (Pr. 59)

- Even if the operation panel is located away from the enclosure, you can use contact signals to perform continuous variable-speed operation, without using analog signals.

Parameter Number	Name	Initial Value	Setting Range	Description	
				RH, RM, RL signal function	Frequency setting storage function
59	Remote function selection	0	0	Multi-speed setting	—
			1	Remote setting	Yes
			2	Remote setting	No
			3	Remote setting	No (Turning STF/STR off clears remotely- set frequency.)



* External operation frequency (other than multi-speed) or PU running frequency

(1) Remote setting function

- Use Pr. 59 to select whether the remote setting function is used or not and whether the frequency setting storage function in the remote setting mode is used or not. When Pr. 59 is set to any of "1 to 3" (remote setting function valid), the functions of the RH, RM and RL signals are changed to acceleration (RH), deceleration (RM) and clear (RL).
- When the remote function is used, the output frequency of the inverter can be compensated for as follows:
 External operation ... Frequency set by RH/RM operation + external running frequency or PU running frequency (other than multi-speed).
 (When making analog input compensation, set "1" in Pr. 28 Multi-speed input compensation selection.)
 When Pr. 28 is set to "0" and acceleration/deceleration is made to reach the set frequency of the analog voltage input (terminal 2 or terminal 4) by RH/RM, the auxiliary input by terminal 1 becomes invalid.)
 PU operation Frequency set by RH/RM operation + PU running frequency

(2) Frequency setting storage

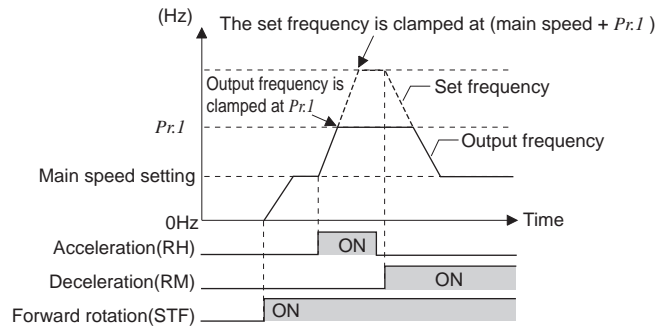
- The frequency setting storage function stores the remotely-set frequency (frequency set by RH/RM operation) into the memory (EEPROM). When power is switched off once, then on, operation is resumed with that output frequency value. (Pr. 59 = 1)

<Frequency setting storage conditions>

- Frequency at the point when the start signal (STF or STR) turns off
- The remotely-set frequency is stored every one minute after one minute has elapsed since turn off (on) of both the RH (acceleration) and RM (deceleration) signals. (The frequency is written if the present frequency setting compared with the past frequency setting every one minute is different. The state of the RL signal does not affect writing.)

CAUTION

- The range of frequency changeable by RH (acceleration) and RM (deceleration) is 0 to maximum frequency (Pr. 1 or Pr. 18 setting). Note that the maximum value of set frequency is (main speed + maximum frequency).



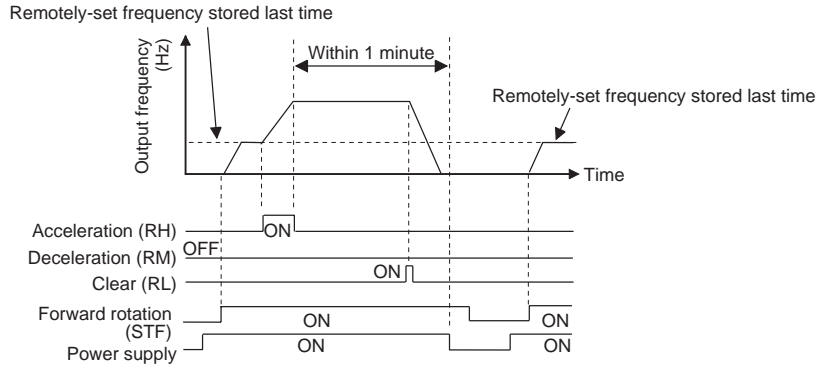
- When the acceleration or deceleration signal switches on, acceleration/deceleration time is as set in Pr. 44 Second acceleration/ deceleration time and Pr. 45 Second deceleration time. Note that when long time has been set in Pr. 7 or Pr. 8, the acceleration/ deceleration time is as set in Pr. 7 or Pr. 8. (when RT signal is off)
When the RT signal is on, acceleration/deceleration is made in the time set to Pr. 44 and Pr. 45, regardless of the Pr. 7 or Pr. 8 setting.
- Even if the start signal (STF or STR) is off, turning on the acceleration (RH) or deceleration (RM) signal varies the preset frequency.
- When switching the start signal from ON to OFF, or changing frequency by the RH or RM signal frequently, set the frequency setting value storage function (write to EEPROM) invalid (Pr. 59 = "2, 3"). If set valid (Pr. 59 = "1"), frequency is written to EEPROM frequently, this will shorten the life of the EEPROM.
- The RH, RM, RL signals can be assigned to the input terminal using any Pr. 178 to Pr. 189 (input terminal function selection). When terminal assignment is changed, the other functions may be affected. Please make setting after confirming the function of each terminal.
- Also available for the network operation mode.

REMARKS

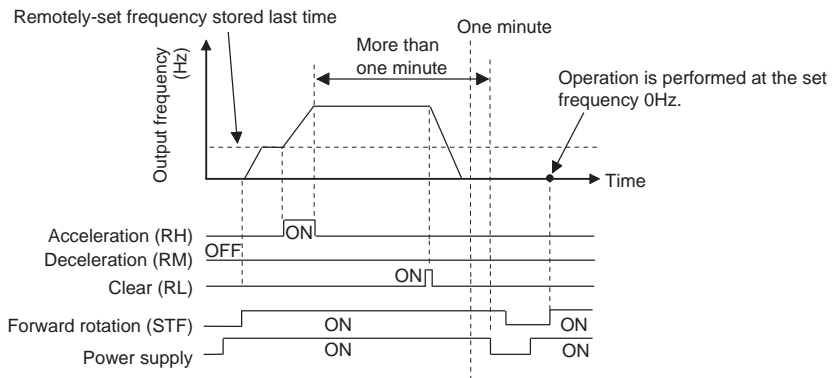
During jog operation or PID control operation, the remote setting function is invalid.

Setting frequency is "0"

Even when the remotely-set frequency is cleared by turning on the RL (clear) signal after turn off (on) of both the RH and RM signals, the inverter operates at the remotely-set frequency stored in the last operation if power is reapplied before one minute has elapsed since turn off (on) of both the RH and RM signals



When the remotely-set frequency is cleared by turning on the RL (clear) signal after turn off (on) of both the RH and RM signals, the inverter operates at the frequency in the remotely-set frequency cleared state if power is reapplied after one minute has elapsed since turn off (on) of both the RH and RM signals.



CAUTION

⚠ When selecting this function, re-set the maximum frequency according to the machine.

◆ Parameters referred to ◆

- Pr. 1 Maximum frequency, Pr. 18 High speed maximum frequency Refer to page 149
- Pr. 7 Acceleration time, Pr. 8 Deceleration time, Pr. 44 Second acceleration/deceleration time, Pr. 45 Second deceleration time Refer to page 165
- Pr. 28 Multi-speed input compensation selection Refer to page 162
- Pr. 178 to Pr. 189 (input terminal function selection) Refer to page 219

4.12 Setting of acceleration/deceleration time and acceleration/deceleration pattern

Purpose	Parameter that must be Set		Refer to Page
Motor acceleration/deceleration time setting	Acceleration/deceleration time	Pr. 7, Pr. 8, Pr. 20, Pr. 21, Pr. 44, Pr. 45, Pr. 110, Pr. 111	165
Starting frequency	Starting frequency and start-time hold	Pr. 13, Pr. 571	167
Set acceleration/deceleration pattern suitable for application	Acceleration/deceleration pattern and backlash measures	Pr. 29, Pr. 140 to Pr. 143, Pr. 380 to Pr. 383, Pr. 516 to Pr. 519	168
Automatically set appropriate acceleration/deceleration time	Automatic acceleration/deceleration	Pr. 61 to Pr. 63, Pr. 292	171

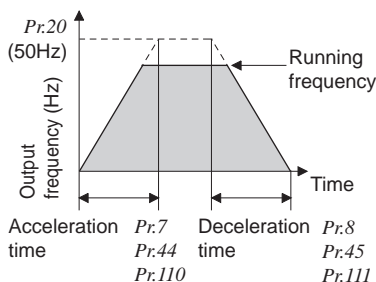
4.12.1 Setting of the acceleration and deceleration time (Pr. 7, Pr. 8, Pr. 20, Pr. 21, Pr. 44, Pr. 45, Pr. 110, Pr. 111)

Used to set motor acceleration/deceleration time.

Set a larger value for a slower speed increase/decrease or a smaller value for a faster speed increase/decrease. For the acceleration time at automatic restart after instantaneous power failure, refer to *Pr. 611 Acceleration time at a restart (page 250)*.

Parameter Number	Name	Initial Value		Setting Range	Description
7	Acceleration time	00250 or less	5s	0 to 3600/360s *1	Set the motor acceleration time.
		00310 or more	15s		
8	Deceleration time	00250 or less	5s	0 to 3600/360s *1	Set the motor deceleration time.
		00310 or more	15s		
20	Acceleration/deceleration reference frequency	50Hz		1 to 400Hz	Set the frequency that will be the basis of acceleration/deceleration time. As acceleration/deceleration time, set the frequency change time from stop to <i>Pr. 20</i> .
21	Acceleration/deceleration time increments	0		0	Increments and setting range of acceleration/deceleration time setting can be changed.
				1	
44	Second acceleration/deceleration time	5s		0 to 3600/360s *1	Set the acceleration/deceleration time when the RT signal is on.
45	Second deceleration time	9999		0 to 3600/360s *1	Set the deceleration time when the RT signal is on.
				9999	Acceleration time = deceleration time
110	Third acceleration/deceleration time	9999		0 to 3600/360s *1	Set the acceleration/deceleration time when the X9 signal is on.
				9999	Without the third acceleration/deceleration function.
111	Third deceleration time	9999		0 to 3600/360s *1	Set the deceleration time when the X9 signal is on.
				9999	Acceleration time = deceleration time

*1 Depends on the *Pr. 21 Acceleration/deceleration time increments* setting. The initial value for the setting range is "0 to 3600s" and the setting increments is "0.1s".



(1) Acceleration time setting (Pr. 7, Pr. 20)

- Use *Pr. 7 Acceleration time* to set the acceleration time required to reach *Pr. 20 Acceleration/deceleration reference frequency* from 0Hz.
- Set the acceleration time according to the following formula.

$$\text{Acceleration time setting} = \frac{\text{Pr. 20}}{\text{Maximum operating frequency} - \text{Pr. 13}} \times \text{Acceleration time from stop to maximum operating frequency}$$

Example) When *Pr. 20* = 50Hz (initial value), *Pr. 13* = 0.5Hz, and acceleration can be made up to the maximum operating frequency of 40Hz in 10s

$$\text{Pr. 7} = \frac{50\text{Hz}}{40\text{Hz} - 0.5\text{Hz}} \times 10\text{s} \doteq 12.7\text{s}$$

(2) Deceleration time setting (Pr. 8, Pr. 20)

- Use Pr. 8 Deceleration time to set the deceleration time required to reach 0Hz from Pr. 20 Acceleration/deceleration reference frequency.
- Set the deceleration time according to the following formula.

$$\text{Deceleration time setting} = \frac{\text{Pr. 20}}{\text{Maximum operating frequency} - \text{Pr. 10}} \times \text{Deceleration time from maximum operating frequency to stop.}$$

Example) When the frequency can be decelerated down to the maximum operating frequency of 40Hz in 10s with 120Hz set in Pr. 20 and 3Hz set in Pr. 10

$$\text{Pr. 8} = \frac{120\text{Hz}}{40\text{Hz} - 3\text{Hz}} \times 10\text{s} \doteq 32.4\text{s}$$

(3) Change the setting range and increments of the acceleration/deceleration time (Pr. 21)

- Use Pr. 21 to set the acceleration/deceleration time and minimum setting range.
 Setting "0" (initial value).....0 to 3600s (minimum setting increments 0.1s)
 Setting "1"0 to 360s (minimum setting increments 0.01s)

CAUTION

- Changing the Pr. 21 setting changes the acceleration/deceleration time setting (Pr. 7, Pr. 8, Pr. 16, Pr. 44, Pr. 45, Pr. 110, Pr. 111, Pr. 264, Pr. 265).
 (The Pr. 611 Acceleration time at a restart setting is not affected.)
 <Example>
 When Pr. 21 = "0", setting "5.0" s in Pr. 7 and "1" in Pr. 21 automatically changes the Pr. 7 setting to "0.5" s.

(4) Set multiple acceleration/deceleration time (RT signal, Pr. 44, Pr. 45, Pr. 110, Pr. 111)

- Pr. 44 and Pr. 45 are valid when the RT signal is on, and Pr. 110 and Pr. 111 are valid when the X9 signal is on. When both the RT and X9 are on, Pr. 110 and Pr. 111 are valid.
- For the terminal used for X9 signal input, set "9" in any of Pr. 178 to Pr. 189 (input terminal function selection) to assign the function.
- When "9999" is set in Pr. 45 or Pr. 111, the deceleration time becomes equal to the acceleration time (Pr. 44, Pr. 110).
- When Pr. 110 = "9999", third acceleration/deceleration time is invalid.

CAUTION

- In S-shaped acceleration/deceleration pattern A (refer to page 168), the set time is the period required to reach the base frequency set in Pr. 3 Base frequency.
- Acceleration/deceleration time formula when the set frequency is the base frequency or higher

$$t = \frac{4}{9} \times \frac{T}{(\text{Pr. 3})^2} \times f^2 + \frac{5}{9} T \quad \begin{matrix} T: \text{Acceleration/deceleration time setting value(s)} \\ f: \text{Set frequency(Hz)} \end{matrix}$$

- Guideline for acceleration/deceleration time when Pr. 3 Base frequency = 50Hz (0Hz to set frequency)

Acceleration/ deceleration time (s)	Frequency setting (Hz)			
	50	120	200	400
5	5	16	38	145
15	15	47	115	429

- The RT, X9 signal can be assigned to the input terminal using any of Pr. 178 to Pr. 189 (input terminal function selection). When terminal assignment is changed, the other functions may be affected. Please make setting after confirming the function of each terminal.

REMARKS

- The RT (X9) signal acts as the second (third) function selection signal and makes the other second (third) function valid. (Refer to page 223)
- The RT signal is assigned to the RT terminal in the default setting. By setting "3" in any of Pr. 178 to Pr. 189 (input terminal function selection), you can assign the RT signal to the other terminal.
- If the Pr. 20 setting is changed, the Pr. 125 and Pr. 126 (frequency setting signal gain frequency) settings do not change. Set Pr. 125 and Pr. 126 to adjust the gains.
- When the Pr. 7, Pr. 8, Pr. 44, Pr. 45, Pr. 110 and Pr. 111 settings are 0.03s or less, the acceleration/deceleration time is 0.04s (under V/F control, advanced magnetic flux vector control). At that time, set Pr. 20 to "120Hz" or less.
- If the acceleration/deceleration time is set, the actual motor acceleration/deceleration time cannot be made shorter than the shortest acceleration/deceleration time determined by the mechanical system J (moment of inertia) and motor torque.

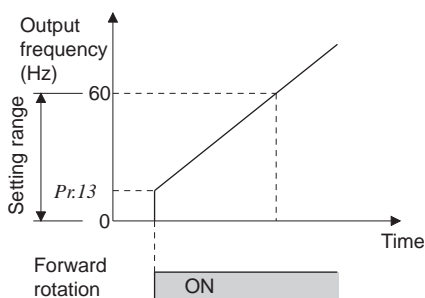
◆ Parameters referred to ◆

- Pr. 3 Base frequency Refer to page 151
- Pr. 10 DC injection brake operation frequency Refer to page 191
- Pr. 29 Acceleration/deceleration pattern selection Refer to page 168
- Pr. 125, Pr. 126 (frequency setting gain frequency) Refer to page 277
- Pr. 178 to Pr. 189 (input terminal function selection) Refer to page 219

4.12.2 Starting frequency and start-time hold function (Pr. 13, Pr. 571)

You can set the starting frequency and hold the set starting frequency for a certain period of time. Set these functions when you need the starting torque or want to smooth motor drive at a start.

Parameter Number	Name	Initial Value	Setting Range	Description
13	Starting frequency	0.5Hz	0 to 60Hz	Frequency at start can be set in the range 0 to 60Hz. You can set the starting frequency at which the start signal is turned on.
571	Holding time at a start	9999	0.0 to 10.0s	Set the holding time of Pr. 13 Starting frequency.
			9999	Holding function at a start is invalid

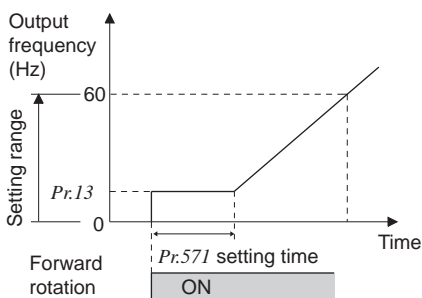


(1) Starting frequency setting (Pr. 13)

- Frequency at start can be set in the range 0 to 60Hz.
- You can set the starting frequency at which the start signal is turned on.

CAUTION

The inverter will not start if the frequency setting signal is less than the value set in Pr. 13. For example, when 5Hz is set in Pr. 13, the motor will not start running until the frequency setting signal reaches 5Hz.



(2) Start-time hold function (Pr. 571)

- This function holds the time set in Pr. 571 and the output frequency set in Pr. 13 Starting frequency.
- This function performs initial excitation to smooth the motor drive at a start.

REMARKS

When Pr. 13 = "0Hz", the starting frequency is held at 0.01Hz.

CAUTION

- When the start signal was turned off during start-time hold, deceleration is started at that point.
- At switching between forward rotation and reverse rotation, the starting frequency is valid but the start-time hold function is invalid.

⚠ CAUTION

⚠ Note that when Pr. 13 is set to any value lower than Pr. 2 Minimum frequency, simply turning on the start signal will run the motor at the preset frequency even if the command frequency is not input.

◆ Parameters referred to ◆

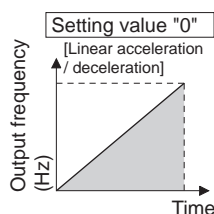
Pr. 2 Minimum frequency Refer to page 149

4.12.3 Acceleration/deceleration pattern (Pr. 29, Pr. 140 to Pr. 143, Pr. 380 to Pr. 383, Pr. 516 to Pr. 519)

You can set the acceleration/deceleration pattern suitable for application.

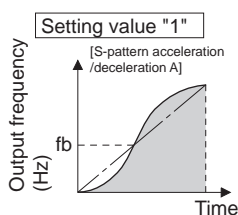
You can also set the backlash measures that stop acceleration/deceleration once at the parameter-set frequency and time during acceleration/deceleration.

Parameter Number	Name	Initial Value	Setting Range	Description
29	Acceleration/deceleration pattern selection	0	0	Linear acceleration/ deceleration
			1	S-pattern acceleration/deceleration A
			2	S-pattern acceleration/deceleration B
			3	Backlash measures
			4	S-pattern acceleration/deceleration C
			5	S-pattern acceleration/deceleration D
140	Backlash acceleration stopping frequency	1Hz	0 to 400Hz	Set the stopping frequency and time for backlash measures. Valid when Pr. 29 = 3
141	Backlash acceleration stopping time	0.5s	0 to 360s	
142	Backlash deceleration stopping frequency	1Hz	0 to 400Hz	
143	Backlash deceleration stopping time	0.5s	0 to 360s	
380	Acceleration S-pattern 1	0	0 to 50%	Valid when S-pattern acceleration/ deceleration C (Pr. 29 = 4) is set. Set the time taken for S-pattern from starting of acceleration/deceleration to linear acceleration as % to the acceleration/deceleration time (Pr. 7, Pr. 8 etc.). An acceleration/deceleration pattern can be changed with the X20 signal.
381	Deceleration S-pattern 1	0	0 to 50%	
382	Acceleration S-pattern 2	0	0 to 50%	
383	Deceleration S-pattern 2	0	0 to 50%	
516	S-pattern time at a start of acceleration	0.1s	0.1 to 2.5s	Valid when S-pattern acceleration/ deceleration D (Pr. 29 = 5) is set. Set the time taken for S-pattern acceleration/deceleration (S-pattern operation).
517	S-pattern time at a completion of acceleration	0.1s	0.1 to 2.5s	
518	S-pattern time at a start of deceleration	0.1s	0.1 to 2.5s	
519	S-pattern time at a completion of deceleration	0.1s	0.1 to 2.5s	



(1) Linear acceleration/ deceleration (Pr. 29 = "0", initial value)

- When the frequency is changed for acceleration, deceleration, etc. in inverter operation, the output frequency is changed linearly (linear acceleration/ deceleration) to reach the set frequency without straining the motor and inverter. Linear acceleration/deceleration has a uniform frequency/time slope.

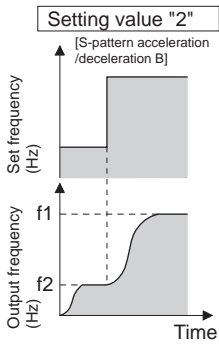


(2) S-pattern acceleration/deceleration A (Pr. 29 = "1")

- For machine tool spindle applications, etc.
Used when acceleration/deceleration must be made in a short time to a high-speed range of not lower than the base frequency. In this acceleration/ deceleration pattern, Pr. 3 Base frequency (fb) is the inflection point of the S pattern and you can set the acceleration/deceleration time appropriate for motor torque reduction in a constant-power operation region of Pr. 3 Base frequency (initial value = 50Hz) or higher.

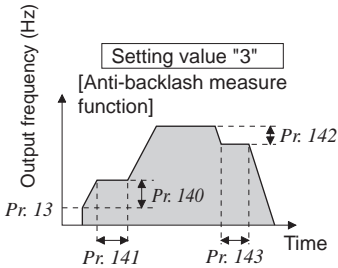
CAUTION

- As the acceleration/deceleration time of S-pattern acceleration/deceleration A, set the time taken until Pr. 3 Base frequency is reached, not Pr. 20 Acceleration/deceleration reference frequency.



(3) S-pattern acceleration/deceleration B (Pr. 29 = "2")

- For prevention of load shifting in conveyor and other applications Since acceleration/deceleration is always made in an S shape from current frequency (f2) to target frequency (f1), this function eases shock produced at acceleration/deceleration and is effective for load collapse prevention, etc.

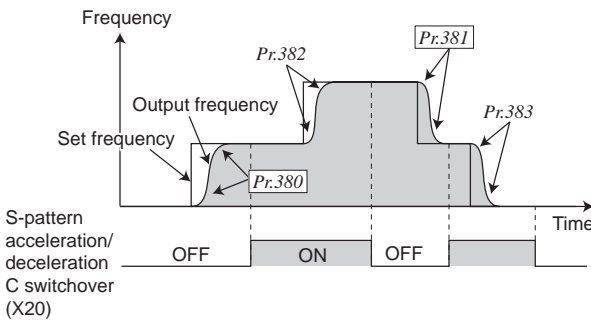


(4) Backlash measures (Pr. 29 = "3", Pr. 140 to Pr. 143)

- What is backlash? Reduction gears have an engagement gap and have a dead zone between forward rotation and reverse rotation. This dead zone is called backlash, and this gap disables a mechanical system from following motor rotation. More specifically, a motor shaft develops excessive torque when the direction of rotation changes or when constant-speed operation shifts to deceleration, resulting in a sudden motor current increase or regenerative status.
- To avoid backlash, acceleration/deceleration is temporarily stopped. Set the acceleration/deceleration stopping frequency and time in Pr. 140 to Pr. 143.

CAUTION

Setting the backlash measures increases the acceleration/deceleration time by the stopping time.

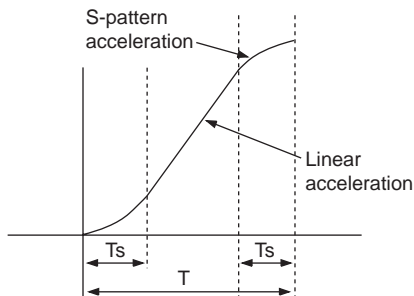


(5) S-pattern acceleration/deceleration C (Pr. 29 = "4", Pr. 380 to Pr. 383)

- With the S-pattern acceleration/deceleration C switch signal (X20), an acceleration/deceleration curve S-pattern 1 or S-pattern 2 can be selected.
- For the terminal used for X20 signal input, set "20" in any of Pr. 178 to Pr. 189 (input terminal function selection) to assign the function.

Operation X20 signal	During Acceleration	During Deceleration
OFF	Pr. 380 Acceleration S-pattern 1	Pr. 381 Deceleration S-pattern 1
ON	Pr. 382 Acceleration S-pattern 2	Pr. 383 Deceleration S-pattern 2

Parameter setting (%) $T_s / T \times 100\%$



REMARKS

- At a start, the motor starts at Pr. 13 Starting frequency when the start signal turns on.
- If there is a difference between the speed command and speed at a start of deceleration due to torque limit operation etc., the speed command is matched with the speed to make deceleration.

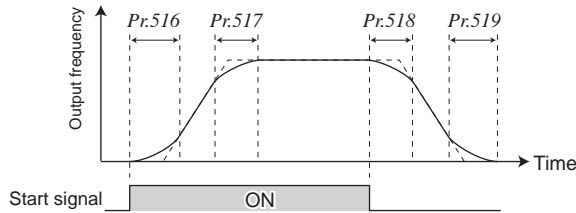
CAUTION

- Change the S pattern acceleration/deceleration C switch (X20 signal) after the speed becomes constant.
- S pattern operation before switching continues even if the X20 signal is changed during acceleration or deceleration.
- The X20 signal can be assigned to the input terminal using any of Pr. 178 to Pr. 189 (input terminal function selection). Changing the terminal assignment may affect the other functions. Make setting after confirming the function of each terminal.



(6) S-pattern acceleration/deceleration D (Pr. 29 = "5", Pr. 516 to Pr. 519)

- Set the time taken for S-pattern operation of S-pattern acceleration/deceleration using Pr. 516 to Pr. 519.
- Set each S-pattern operation time for acceleration start (Pr. 516), acceleration completion (Pr. 517), deceleration start (Pr. 518) and deceleration completion (Pr. 519).
- When S-pattern acceleration/deceleration D is set, acceleration/deceleration time will become longer as follows:

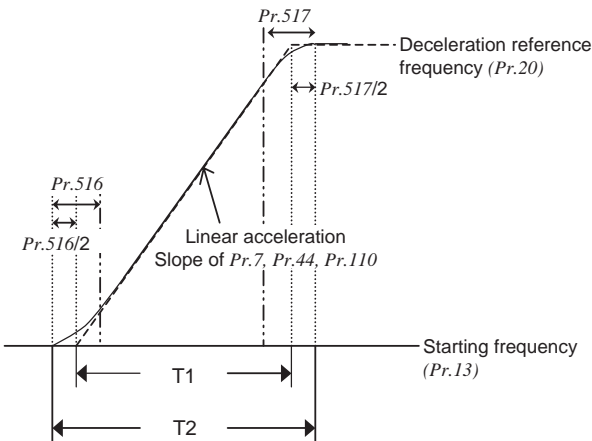


Actual acceleration time $T_2 = \text{set acceleration time } T_1 + (\text{S-pattern time at a start of acceleration} + \text{S-pattern time at a completion of acceleration}) / 2$
 Actual deceleration time $T_2 = \text{set deceleration time } T_1 + (\text{S-pattern time at a start of deceleration} + \text{S-pattern time at a completion of deceleration}) / 2$

Set acceleration/deceleration time T_1 indicates Pr. 7, Pr. 8, Pr. 44, Pr. 45, Pr. 110 and Pr. 111.

CAUTION

- Even if the start signal is turned off during acceleration, the inverter will not decelerate immediately to avoid sudden frequency change. (Likewise, the inverter will not immediately accelerate when deceleration is changed to reacceleration by turning the start signal on during deceleration, etc.)
- For example, the actual acceleration time when starting the inverter with an S-pattern acceleration/deceleration pattern D selected for a stop to 50Hz in the parameter initial setting is as shown left:



Set acceleration time $T_1 = (Pr. 20 - Pr. 13) \times Pr. 7 / Pr. 20$
 Actual acceleration time $T_2 = \text{set acceleration time } T_1 + (Pr. 516 + Pr. 517) / 2$

Therefore,

Set acceleration time $T_1 = (50\text{Hz} - 0.5\text{Hz}) \times 5\text{s} / 50\text{Hz}$
 $\cong 4.95\text{s}$ (actual acceleration time at linear acceleration)
 Actual acceleration time $T_2 = 4.95\text{s} + (0.1\text{s} + 0.1\text{s}) / 2$
 $= 5.05\text{s}$ (acceleration time at S-pattern acceleration)

CAUTION

- When the acceleration/deceleration time (Pr. 7, Pr. 8, etc.) setting under real sensorless vector control or vector control is 0s, the S-pattern acceleration/deceleration A to D (Pr. 29 = "1, 2, 4, 5") is linear acceleration/deceleration.
- Set linear acceleration/deceleration (Pr. 29 = "0 (initial value)") when torque control is exercised under real sensorless vector control or vector control. When acceleration/deceleration patterns other than the linear acceleration/deceleration are selected, the protective function of the inverter may function.

◆ Parameters referred to ◆

Pr. 3 Base frequency Refer to page 151
 Pr. 7 Acceleration time, Pr. 8 Deceleration time, Pr. 20 Acceleration/deceleration reference frequency Refer to page 165
 Pr. 178 to Pr. 189 (Input terminal function selection) Refer to page 219

4.12.4 Shortest acceleration/deceleration and optimum acceleration/deceleration (automatic acceleration/deceleration) (Pr. 61 to Pr. 63, Pr. 292, Pr. 293)

The inverter operates in the same conditions as when appropriate values are set in each parameter even if acceleration/deceleration time and V/F pattern are not set. This function is useful when you just want to operate, etc. without fine parameter setting.

Parameter Number	Name	Initial Value	Setting Range		Description
61	Reference current	9999	01800 or less	0 to 500A	Set the reference current during shortest/ optimum acceleration/deceleration.
			02160 or more	0 to 3600A	
			9999		Rated inverter output current value is reference
62	Reference value at acceleration	9999	0 to 220% *		Set the limit value/optimum value during shortest/ optimum acceleration.
			9999		Shortest acceleration/deceleration: 150% is a limit value Optimum acceleration/deceleration: 100% is an optimum value
63	Reference value at deceleration	9999	0 to 220% *		Set the limit value/optimum value during shortest/ optimum deceleration.
			9999		Shortest acceleration/deceleration: 150% is a limit value Optimum acceleration/deceleration: 100% is an optimum value
292	Automatic acceleration/ deceleration	0	0		Normal mode
			1		Shortest acceleration/deceleration (without brake)
			11		Shortest acceleration/deceleration (with brake)
			3		Optimum acceleration/deceleration
			5, 6		Elevator mode1, 2 (refer to page155)
293	Acceleration/ deceleration separate selection	0	7, 8		Brake sequence mode 1, 2 (Refer to page 205.)
			0		Both acceleration and deceleration are made in the shortest/optimum acceleration/deceleration mode
			1		Only acceleration is made in the shortest/optimum acceleration/deceleration mode
		2		Only deceleration is made in the shortest/optimum acceleration/deceleration mode	

* When Pr. 570 Multiple rating setting ≠ "2", performing all parameter clear and inverter reset changes the setting range. (Refer to page 147)

(1) Shortest acceleration/deceleration mode (Pr. 292 = "1, 11", Pr. 293)

- Set when you want to accelerate/decelerate the motor for the shortest time. It is desired to make acceleration/ deceleration in a shorter time for a machine tool etc. but the design values of machine constants are unknown.
- Acceleration/deceleration speed is automatically adjusted at a start of acceleration/deceleration so that acceleration/deceleration is made with the maximum torque the inverter can output according to the setting value of Pr. 7 Acceleration time and Pr. 8 Deceleration time. (The setting values of Pr. 7 and Pr. 8 are not changed)
- Either acceleration or deceleration can be made in the shortest time using Pr. 293 Acceleration/deceleration separate selection.

When the setting value is "0" (initial value), both acceleration and deceleration can be made in the shortest time.

- Since the 00250 or less inverter has a built-in brake resistor, set Pr. 292 to "11". Set "11" also when a high-duty brake resistor or brake unit is connected. Deceleration time can be further shortened.
- When the shortest acceleration/deceleration mode is selected under V/F control and advanced magnetic flux vector control, the stall prevention operation level during acceleration/deceleration becomes 150% (adjustable using Pr. 61 to Pr. 63). The setting of Pr. 22 Stall prevention operation level and stall level by analog input are used only during a constant speed operation.

Adjustment using Pr. 61 to Pr. 63 can not be made under real sensorless vector control or vector control since torque limit level (Pr. 22 etc.) is used during acceleration/deceleration.

- It is inappropriate to use for the following applications.
 - Machine with a large inertia such as a fan (more than 10 times). Since stall prevention operation will be activated for a long time, this type of machine may be brought to an alarm stop due to motor overloading, etc. .
 - It is desired to always perform operation with a constant acceleration/deceleration time.
 - It is desired to perform operation making sure the inverter and motor have enough capability.

REMARKS

- If automatic acceleration/deceleration mode has been selected, inputting the jog signal (jog operation), RT signal (second function selection) or X9 signal (third function selection) during an inverter stop will switch to the normal operation and give priority to jog operation, second function selection or third function selection. Note that JOG and RT signal input is invalid even if JOG signal and RT signal are input during operation in automatic acceleration/deceleration mode.
- Since acceleration/deceleration is made with the stall prevention operation being activated, the acceleration/deceleration speed always varies according to the load conditions.
- Note that when proper values are set in Pr. 7 and Pr. 8 , acceleration/deceleration time may be shorter than selecting shortest acceleration/deceleration mode.

(2) Optimum acceleration/deceleration mode (Pr. 292 = "3")

- The optimum operation within the rating range where the inverter can be continuously used regardless of the inverter capability is performed. Automatically set torque boost and acceleration/deceleration time so that the average current during acceleration/deceleration is the rated current by the self-learning of the inverter. It is appropriate for applications such as automatic transfer machine, etc. which is small in load change and is operated in a predetermined pattern.
- At the initial time when the optimum acceleration/deceleration mode has been selected, operation is performed at the values set in Pr. 0 Torque boost, Pr. 7 Acceleration time and Pr. 8 Deceleration time. After operation, the average current and peak current are calculated from the motor current during acceleration/deceleration. These values are compared with the reference current (initial value is rated inverter current) and calculated, then more appropriate values are set in Pr. 0, Pr. 7 and Pr. 8. After that, operation is performed under the conditions of Pr. 0, Pr. 7 and Pr. 8 set, and more appropriate values are calculated. Note that the Pr. 0 value will not change under advanced magnetic flux vector control, real sensorless vector control or vector control.
- Storage of parameters
The optimum values of Pr. 0, Pr. 7 and Pr. 8 are written to both the parameter RAM and EEPROM only three times of acceleration/deceleration after the optimum acceleration/deceleration mode has been selected or after the power is switched on or the inverter is reset. At or after the fourth attempt, they are not stored into EEPROM. Hence, after power-on or inverter reset, the values changed at the third time are valid. Note that the values changed at the fourth or later time are calculated to optimum and the values of Pr. 0, Pr. 7 and Pr. 8 are set to RAM, the values can be stored into EEPROM by reading and writing the values with the operation panel and parameter unit.

Number of Optimum Value Changes	Pr. 0, Pr. 7, Pr. 8		Optimum Conditions
	EEPROM value	RAM value	
1 to 3 times	Updated	Updated	Updated
4 or more times	Unchanged from third value	Updated	Updated

- Either acceleration or deceleration can be made in the optimum acceleration/deceleration mode using Pr. 293 Acceleration/deceleration separate selection. When the setting value is "0" (initial value), both acceleration and deceleration are made in the optimum acceleration/deceleration mode.
- It is inappropriate for machines which change in load and operation conditions. Since the stored optimum values are used for the next operation, faults, e.g. acceleration/deceleration is not made if conditions change, alarm stop is made due to overcurrent protective function, may occur.

REMARKS

- If shortest acceleration/deceleration mode has been selected, inputting the jog signal (jog operation), RT signal (second function selection) or X9 signal (third function selection) during an inverter stop will switch to the normal operation and give priority to jog operation, second function selection or third function selection. Note that JOG and RT signal input is invalid even if JOG signal and RT signal are input during operation in shortest/optimum acceleration/deceleration mode.
- Because of the learning system, this mode is not valid at the first operation after the optimum acceleration/deceleration mode is set.
- The optimum value are operated on only when acceleration is made from a stop to 30Hz or more or when deceleration is made from 30Hz or more to stop.
- When the motor is not connected or output current is less than 5% of the rated inverter current, optimum acceleration/deceleration mode will not function.

(3) Adjustment of shortest and optimum acceleration/deceleration mode (Pr. 61 to Pr. 63)

- By setting the adjustment parameters Pr. 61 to Pr. 63, the application range can be made wider.

Parameter Number	Name	Setting Range	Description
61	Reference current	01800 or less	0 to 500A
		02160 or more	0 to 3600A
		9999 (initial value)	
62	Reference value at acceleration	0 to 220%	Set when it is desired to change the reference level of acceleration and deceleration. Shortest acceleration/deceleration: Set the stall prevention operation level (ratio to the current value of Pr. 61) during acceleration/deceleration.
63	Reference value at deceleration	9999 (initial value)	Shortest acceleration/deceleration: Set the optimum current level (ratio to the current value of Pr. 61) during acceleration/deceleration. Shortest acceleration/deceleration: The 150% value during shortest acceleration/deceleration is judged as the stall prevention operation level. Optimum acceleration/deceleration: 100% is the optimum value

REMARKS

- Pr. 61 to Pr. 63 are invalid when real sensorless vector control or vector control is selected in the shortest acceleration/deceleration mode.
- Since the Pr. 61 to Pr. 63 settings automatically return to the initial value (9999) if the Pr. 292 setting is changed, set Pr. 292 first when you need to set Pr. 61 to Pr. 63.

◆ Parameters referred to ◆

- Pr. 0 Torque boost Refer to page 136
- Pr. 7 Acceleration time, Pr. 8 Deceleration time Refer to page 165
- Pr. 22 Stall prevention operation level Refer to page 142
- Pr. 22 Torque limit level Refer to page 92

4.13 Selection and protection of a motor

Purpose	Parameter that must be Set		Refer to Page
Motor protection from overheat	Electronic thermal O/L relay	Pr. 9, Pr. 51	173
Use the constant torque motor	Applied motor	Pr. 71	176
The motor performance can be maximized for operation in magnetic flux vector control system	Offline auto tuning	Pr. 82 to Pr. 84, Pr. 90 to Pr. 94, Pr. 96	178
High accuracy operation unaffected by the motor temperature and stable operation with high torque down to ultra low speed are performed	Online auto tuning	Pr. 95, Pr. 574	188

4.13.1 Motor protection from overheat (Electronic thermal relay function) (Pr. 9, Pr. 51)

Set the current of the electronic thermal O/L relay to protect the motor from overheat. This feature provides the optimum protective characteristics, including reduced motor cooling capability, at low speed.

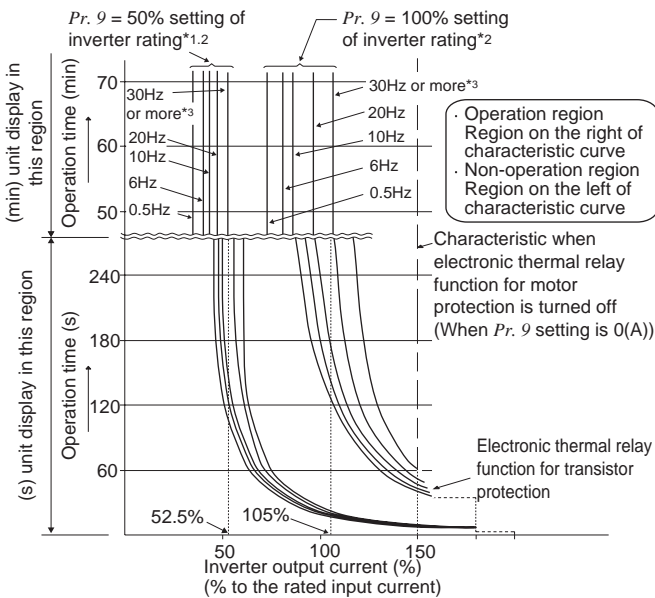
Parameter Number	Name	Initial Value	Setting Range		Description
9	Electronic thermal O/L relay	Rated inverter output current *1	01800 or less	0 to 500A	Set the rated motor current.
			02160 or more	0 to 3600A	
51	Second electronic thermal O/L relay *2	9999	01800 or less	0 to 500A	Made valid when the RT signal is on.
			02160 or more	0 to 3600A	Set the rated motor current.
			9999		Second electronic thermal O/L relay invalid

*1 The initial value of the 00023 and 00038 is set to 85% of the rated inverter current.

*2 When parameter is read using the FR-PU04, a parameter name different from an actual parameter is displayed.

(1) Electronic thermal O/L relay (Pr. 9)

Electronic thermal relay function operation characteristic



This function detects the overload (overheat) of the motor, stops the operation of the inverter's output transistor, and stops the output. (The operation characteristic is shown on the left)

- Set the rated current [A] of the motor in Pr. 9. (When the power supply specification is 400V/440V 60Hz, set the 1.1 times the rated motor current.)
- Set "0" in Pr. 9 when you do not want to activate the electronic thermal relay function, e.g. when using an external thermal relay with the motor. (Note that the output transistor protection of the inverter functions (E.THT).)
- When using the Mitsubishi constant-torque motor
 - Set "1" or any of "13" to "18", "50", "53", "54" in Pr. 71. (This provides a 100% continuous torque characteristic in the low-speed range.)
 - Set the rated current of the motor in Pr. 9.

*1 When a value 50% of the inverter rated output current (current value) is set in Pr. 9

*2 The % value denotes the percentage to the inverter rated output current. It is not the percentage to the motor rated current.

*3 When you set the electronic thermal relay function dedicated to the Mitsubishi constant-torque motor, this characteristic curve applies to operation at 6Hz or higher.

CAUTION

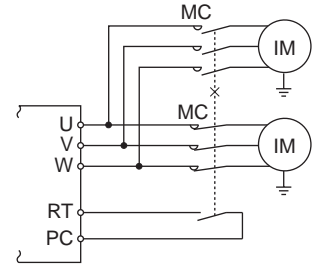
- Protective function by electronic thermal relay function is reset by inverter power reset and reset signal input. Avoid unnecessary reset and power-off.
- When multiple motors are operated by a single inverter, protection cannot be provided by the electronic thermal relay function. Install an external thermal relay to each motor.
- When the difference between the inverter and motor capacities is large and the setting is small, the protective characteristics of the electronic thermal relay function will be deteriorated. In this case, use an external thermal relay.
- A special motor cannot be protected by the electronic thermal relay function. Use the external thermal relay.
- The operation time of the transistor protection thermal relay shortens when the Pr. 72 PWM frequency selection setting increases.



(2) Set multiple electronic thermal relay functions (Pr. 51)

Use this function when rotating two motors of different rated currents individually by a single inverter. (When rotating two motors together, use external thermal relays.)

- Set the rated current of the second motor in Pr. 51.
- When the RT signal is on, thermal protection is provided based on the Pr. 51 setting.



Pr. 450 Second applied motor	Pr. 9 Electronic thermal O/L relay	Pr. 51 Second electronic thermal O/L relay	RT = OFF		RT = ON	
			First motor	Second motor	First motor	Second motor
9999	0	9999	×	×	×	×
		0	×	×	×	×
		0.01 to 500 (0.1 to 3600)	×	★	×	○
9999	Other than 0	9999	○	×	○	×
		0	○	×	★	×
		0.01 to 500 (0.1 to 3600)	○	★	★	○
Other than 9999	0	9999	×	×	×	×
		0	×	×	×	×
		0.01 to 500 (0.1 to 3600)	×	★	×	○
Other than 9999	Other than 0	9999	○	★	★	○
		0	○	×	★	×
		0.01 to 500 (0.1 to 3600)	○	★	★	○

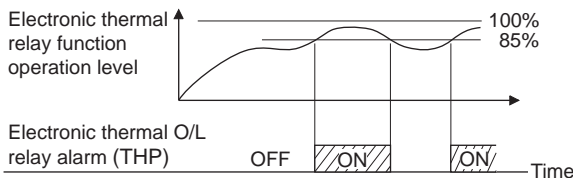
- Output current value is used to perform integration processing.
- ★ Output current is assumed as 0A to perform integration processing. (cooling processing)
- × Electronic thermal relay function is not activated.

REMARKS

- The RT signal acts as the second function selection signal and makes the other second functions valid. (Refer to page 223)
- The RT signal is assigned to the RT terminal in the initial setting. By setting "3" in any of Pr. 178 to Pr. 189 (input terminal function selection), you can assign the RT signal to the other terminal.

(3) Electronic thermal relay function alarm output and alarm signal (THP signal)

100%: Electronic thermal relay function alarm operation value

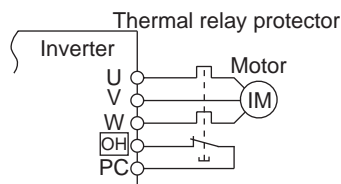


- The alarm signal (THP) is output when the electronic thermal relay function cumulative value reaches 85% of the level set in Pr. 9 or Pr. 51. If it reaches 100% of the Pr. 9 Electronic thermal O/L relay setting, electronic thermal relay function protection (E.THM/E.THT) occurs.
- The inverter does not shut off the output if the alarm signal is output.
- For the terminal used for the THP signal output, assign the function by setting "8" (positive logic) or "108" (negative logic) in any of Pr. 190 to Pr. 196 (output terminal function selection).

CAUTION

- Changing the terminal assignment using Pr. 190 to Pr. 196 (output terminal function selection) may affect the other functions. Make setting after confirming the function of each terminal.

(4) External thermal relay input (OH signal)



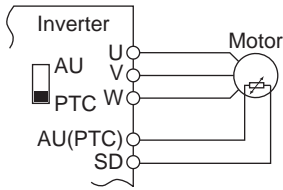
External thermal relay input connection example

- To protect the motor against overheat, use the OH signal when using an external thermal relay or the built-in thermal protector of the motor.
- When the thermal relay operates, the inverter shuts off the output and outputs the alarm signal (E.OHT).
- For the terminal used for OH signal input, assign the function by setting "7" in any of Pr. 178 to Pr. 189 (input terminal function selection)

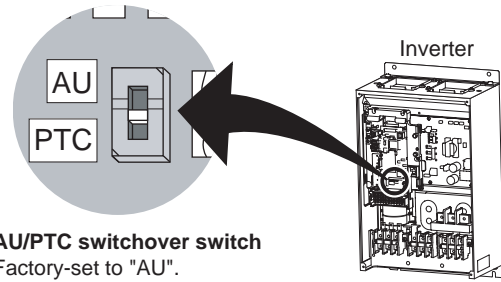
CAUTION

- Changing the terminal assignment using Pr. 178 to Pr. 189 (input terminal function selection) may affect the other functions. Make setting after confirming the function of each terminal.

(5) PTC thermistor input (PTC signal)



PTC thermistor input connection example



AU/PTC switchover switch
 Factory-set to "AU".
 Set to the "PTC" position to validate the PTC signal input.

Built-in PTC thermistor of the motor can be input to the PTC signal (AU terminal).

- For the terminal used for PTC signal input, assign the function by setting "63" in *Pr. 184 AU terminal function selection* and also set the AU/PTC switchover switch to the PTC terminal function. (The initial setting is the AU terminal function.)
- If a motor overheat state is detected for more than 10s according to the input from the PTC thermistor, the inverter shuts off the output and outputs the PTC thermal alarm signal (E.PTC).
- The input specifications of the PTC thermistor are shown on the right.

Motor Temperature	PTC Thermistor Resistance Value (Ω)
Normal	0 to 500
Boundary	500 to 4k
Overheat	4k or higher

CAUTION

- When the PTC signal was not assigned to *Pr. 184* and the AU/PTC switchover switch was set to the PTC terminal function, the function assigned to the AU terminal is always off. Reversely, when the PTC signal was assigned to *Pr. 184* and the AU/PTC switchover switch was set to the AU terminal function, a PTC thermal error (E.PTC) occurs since the function is always in a motor overheat state.
- When you want to input a current, assign the AU signal to the other signal.
- When terminal assignment is changed, the other functions may be affected. Please make setting after confirming the function of the AU terminal.

◆ Parameters referred to ◆

- Pr. 71 Applied motor* Refer to page 176
- Pr. 72 PWM frequency selection* Refer to page 268
- Pr. 178 to Pr. 189 (input terminal function selection)* Refer to page 219
- Pr. 190 to Pr. 196 (output terminal function selection)* Refer to page 226
- Specifications of the AU terminal* Refer to page 23



4.13.2 Applied motor (Pr. 71, Pr. 450)

Setting of the used motor selects the thermal characteristic appropriate for the motor.

Setting is necessary when using a constant-torque motor. Thermal characteristic of the electronic thermal relay function suitable for the motor is set.

When advanced magnetic flux vector, real sensorless vector control or vector control is selected, the motor constants (SF-JR, SF-HR, SF-JRCA, SF-HRCA, SF-V5RU) necessary for control are selected as well.

Parameter Number	Name	Initial Value	Setting Range	Description
71	Applied motor	0	0 to 8, 13 to 18, 20, 23, 24, 30, 33, 34, 40, 43, 44, 50, 53, 54	Selecting the standard motor or constant-torque motor sets the corresponding motor thermal characteristic.
450	Second applied motor	9999	0 to 8, 13 to 18, 20, 23, 24, 30, 33, 34, 40, 43, 44, 50, 53, 54	Set when using the second motor. (same specifications as Pr. 71)
			9999	Not function

(1) Set the motor to be used

Refer to the following list and set this parameter according to the motor used.

Pr. 71 (Pr. 450) Setting		Thermal Characteristic of the Electronic Thermal Relay Function	Motor (○ : used motor)		
Pr. 71	Pr. 450		Standard (SF-JR etc.)	Constant torque (SF-JRCA etc.)	Vector (SF-V5RU)
0	(Pr. 71 initial value)	Thermal characteristics of a standard motor	○		
1		Thermal characteristics of the Mitsubishi constant-torque motor		○	
2		Thermal characteristics of a standard motor Adjustable 5 points V/F (Refer to page 157)	○		
20		Mitsubishi standard motor (SF-JR 4P 1.5kW or less) thermal characteristic for the constant-torque motor	○		
30		Vector control dedicated motor (SF-V5RU)			○
40		Thermal characteristic of Mitsubishi high efficiency motor SF-HR	○*1		
50		Thermal characteristic of Mitsubishi constant-torque motor SF-HRCA		○*2	
3		Standard motor	○		
13		Constant-torque motor		○	
23		Mitsubishi standard motor (SF-JR 4P 1.5kW or less)	○		
33		Vector control dedicated motor (SF-V5RU, SF-THY)			○
43		Mitsubishi High efficiency motor (SF-HR)	○*1		
53		Mitsubishi constant-torque motor (SF-HRCA)		○*2	
4		Standard motor	○		
14		Constant-torque motor		○	
24		Mitsubishi standard motor (SF-JR 4P 1.5kW or less)	○		
34		Vector control dedicated motor (SF-V5RU, SF-THY)			○
44		Mitsubishi High efficiency motor (SF-HR)	○*1		
54		Mitsubishi constant-torque motor (SF-HRCA)		○*2	
5		Standard motor	○		
15		Constant-torque motor		○	
6		Standard motor	○		
16		Constant-torque motor		○	
7		Standard motor	○		
17		Constant-torque motor		○	
8		Standard motor	○		
18		Constant-torque motor		○	
—	9999 (initial value)	Without second applied motor			

*1 Motor constants of Mitsubishi high efficiency motor SF-HR.

*2 Motor constants of Mitsubishi constant-torque motor SF-HRCA.

REMARKS

- When performing offline auto tuning, set "3, 7, 8, 13, 17, 18, 23, 33, 43, 53" in Pr. 71. (Refer to page 178 for offline auto tuning)
- For the 00170 and 00250, the Pr. 0 Torque boost and Pr. 12 DC injection brake operation voltage settings are automatically changed according to the Pr. 71 setting as follows.

Pr. 71	Standard Motor Setting 0, 2, 3 to 8, 20, 23, 24, 40, 43, 44	Constant Torque Motor Setting 1, 13 to 18, 50, 53, 54
Pr. 0	3%	2%
Pr. 12	4%	2%

(2) Use two types motors (Pr. 450)

- Set Pr. 450 Second applied motor to use two types motors with one inverter.
- When "9999" (initial value) is set, no function is selected.
- When Pr. 450 ≠ 9999, turning the RT signal on makes the following parameter valid.

Function	RT Signal ON (second motor)	RT Signal OFF (first motor)
Applied motor	Pr. 450	Pr. 71
Control method selection	Pr. 451	Pr. 800
Motor capacity	Pr. 453	Pr. 80
Number of motor poles	Pr. 454	Pr. 81
Motor excitation current	Pr. 455	Pr. 82
Motor rated voltage	Pr. 456	Pr. 83
Rated motor frequency	Pr. 457	Pr. 84
Motor constant (R1)	Pr. 458	Pr. 90

Function	RT Signal ON (second motor)	RT Signal OFF (first motor)
Motor constant (R2)	Pr. 459	Pr. 91
Motor constant (L1)	Pr. 460	Pr. 92
Motor constant (L2)	Pr. 461	Pr. 93
Motor constant (X)	Pr. 462	Pr. 94
Auto tuning setting/status	Pr. 463	Pr. 96
Online auto tuning selection	Pr. 574	Pr. 95
Torque current	Pr. 860	Pr. 859


REMARKS

- The RT signal acts as the second function selection signal and makes the other second functions valid. (Refer to page 223)
- The RT signal is assigned to the terminal RT in the initial setting. By setting "3" in any of Pr. 178 to Pr. 189 (input terminal function selection), you can assign the RT signal to the other terminal.








CAUTION

- Changing the terminal assignment using Pr. 178 to Pr. 189 (input terminal function selection) may affect the other functions. Make setting after confirming the function of each terminal.

 **CAUTION**

-  Set this parameter correctly according to the motor used. Incorrect setting may cause the motor to overheat and burn.

◆ Parameters referred to ◆

- Pr. 0 Torque boost  Refer to page 136
- Pr. 12 DC injection brake operation voltage  Refer to page 191
- Pr. 80 Motor capacity, Pr. 81 Number of motor poles, Pr. 453 Second motor capacity, Pr. 454 Number of second motor poles  Refer to page 136
- Pr. 82 to Pr. 84, Pr. 90 to Pr. 94, Pr. 96, Pr. 455 to Pr. 463, Pr. 859, Pr. 860 (Motor constant)  Refer to page 178
- Pr. 95 Online auto tuning selection, Pr. 574 Second motor online auto tuning  Refer to page 188
- Pr. 451 Second motor control method selection, Pr. 800 Control method selection  Refer to page 85
- Pr. 100 to Pr. 109 (Adjustable 5 points V/F)  Refer to page 157



4.13.3 Offline auto tuning (Pr. 71, Pr. 80 to Pr. 84, Pr. 90 to Pr. 94, Pr. 96, Pr. 450, Pr. 453 to Pr. 463, Pr. 684, Pr. 859, Pr. 860)

Magnetic flux Sensorless Vector

The motor performance can be maximized with offline auto tuning.

- What is offline auto tuning?

When performing advanced magnetic flux vector control, real sensorless vector control or vector control, the motor can be run with the optimum operating characteristics by automatically measuring the motor constants (offline auto tuning) even when each motor constants differs, other manufacturer's motor is used, or the wiring length is long.

Parameter Number	Name	Initial Value	Setting Range		Description
71	Applied motor	0	0 to 8, 13 to 18, 20, 23, 24, 30, 33, 34, 40, 43, 44, 50, 53, 54		By selecting a standard motor or constant torque motor, thermal characteristic and motor constants of each motor are set.
80	Motor capacity	9999	01800 or less	0.4 to 55kW	Set the applied motor capacity.
			02160 or more	0 to 3600kW	
			9999		V/F control
81	Number of motor poles	9999	2, 4, 6, 8, 10		Set the number of motor poles.
			12, 14, 16, 18, 20		X18 signal-ON:V/F control Set 10 + number of motor poles.
			9999		V/F control
82	Motor excitation current	9999	01800 or less	0 to 500A	Tuning data (The value measured by offline auto tuning is automatically set.)
			02160 or more	0 to 3600A	
			9999		Use the Mitsubishi motor (SF-JR, SF-HR, SF-JRCA, SF-HRCA) constants
83	Motor rated voltage	400V	0 to 1000V		Set the rated motor voltage(V).
84	Rated motor frequency	50Hz	10 to 120Hz		Set the rated motor frequency (Hz).
90	Motor constant (R1)	9999	01800 or less	0 to 50Ω, 9999	Tuning data (The value measured by offline auto tuning is automatically set.) 9999: Use the Mitsubishi motor (SF-JR, SF-HR, SF-JRCA, SF-HRCA) constants
			02160 or more	0 to 400mΩ, 9999	
91	Motor constant (R1)	9999	01800 or less	0 to 50Ω, 9999	
			02160 or more	0 to 400mΩ, 9999	
92	Motor constant (L1)	9999	01800 or less	0 to 50Ω, (0 to 1000mH), 9999	
			02160 or more	0 to 3600mΩ (0 to 400mH), 9999	
93	Motor constant (L2)	9999	01800 or less	0 to 50Ω (0 to 1000mH), 9999	
			02160 or more	0 to 3600mΩ (0 to 400mH), 9999	
94	Motor constant (X)	9999	01800 or less	0 to 500Ω (0 to 100%), 9999	
			02160 or more	0 to 100Ω (0 to 100%), 9999	
96	Auto tuning setting/status	0	0		Offline auto tuning is not performed
			1		Offline auto tuning is performed without motor running
			101		Offline auto tuning is performed with motor running

Parameter Number	Name	Initial Value	Setting Range		Description
450	Second applied motor	9999	0 to 8, 13 to 18, 20, 23, 24, 30, 33, 34, 40, 43, 44, 50, 53, 54		Set when using the second motor. (same specifications as Pr: 71)
			9999		Not function
453	Second motor capacity	9999	01800 or less	0.4 to 55kW	Set the capacity of the second motor.
			02160 or more	0 to 3600kW	
			9999		V/F control
454	Number of second motor poles	9999	2, 4, 6, 8, 10		Set the number of poles of the second motor.
			9999		V/F control
455	Second motor excitation current	9999	01800 or less	0 to 500A	Tuning data of the second motor (The value measured by offline auto tuning is automatically set.)
			02160 or more	0 to 3600A	
			9999		Use the Mitsubishi motor (SF-JR, SF-HR, SF-JRCA, SF-HRCA) constants
456	Rated second motor voltage	400V	0 to 1000V		Set the rated voltage (V) of the second motor.
457	Rated second motor frequency	50Hz	10 to 120Hz		Set the rated motor frequency (Hz) of the second motor.
458	Second motor constant (R1)	9999	01800 or less	0 to 50 Ω , 9999	Tuning data of the second motor (The value measured by offline auto tuning is automatically set.) 9999: Use the Mitsubishi motor (SF-JR, SF-HR, SF-JRCA, SF-HRCA) constants
			02160 or more	0 to 400m Ω , 9999	
459	Second motor constant (R2)	9999	01800 or less	0 to 50 Ω , 9999	
			02160 or more	0 to 400m Ω , 9999	
460	Second motor constant (L1)	9999	01800 or less	0 to 50 Ω (0 to 1000mH), 9999	
			02160 or more	0 to 3600m Ω (0 to 400mH), 9999	
461	Second motor constant (L2)	9999	01800 or less	0 to 50 Ω (0 to 1000mH), 9999	
			02160 or more	0 to 3600m Ω (0 to 400mH), 9999	
462	Second motor constant (X)	9999	01800 or less	0 to 500 Ω (0 to 100%), 9999	
			02160 or more	0 to 100 Ω (0 to 100%), 9999	
463	Second motor auto tuning setting/status	0	0		Second motor auto tuning is not performed
			1		Offline auto tuning is performed without second motor running
			101		Offline auto tuning is performed with second motor running
684	Tuning data unit switchover	0	0		Internal data converted value
			1		Displayed in "A, Ω , mH, %" "
859	Torque current	9999	01800 or less	0 to 500A	Tuning data (The value measured by offline auto tuning is automatically set.)
			02160 or more	0 to 3600A	
			9999		Use the Mitsubishi motor (SF-JR, SF-HR, SF-JRCA, SF-HRCA) constants



Parameter Number	Name	Initial Value	Setting Range		Description
860	Second motor torque current	9999	01800 or less	0 to 500A	Tuning data of the second motor (The value measured by offline auto tuning is automatically set.)
			02160 or more	0 to 3600A	
			9999		Use the Mitsubishi motor (SF-JR, SF-HR, SF-JRCA, SF-HRCA) constants

POINT

- This function is made valid only when a value other than "9999" is set in *Pr. 80* and *Pr. 81* and advanced magnetic flux vector control, real sensorless vector control or vector control is selected.
- You can copy the offline auto tuning data (motor constants) to another inverter with the PU (FR-DU07/FR-PU07).
- Even when motors (other manufacturer's motor, SF-JRC, SF-TH, etc.) other than Mitsubishi standard motor, high efficiency motor (SF-JR SF-HR 0.4kW or more), Mitsubishi constant-torque motor (SF-JRCA SF-HRCA four-pole 0.4kW to 55kW) and vector control dedicated motor (SF-V5RU) are used or the wiring length is long, using the offline auto tuning function runs the motor with the optimum operating characteristics.
- Tuning is enabled even when a load is connected to the motor. (As the load is lighter, tuning accuracy is higher. Tuning accuracy does not change even if the inertia is large.)
- For the offline auto tuning, you can select either the motor non-rotation mode (*Pr. 96* = "1") or rotation mode. (*Pr. 96* = "101").
- The rotation mode has higher tuning accuracy than the non-rotation mode.
- Reading/writing/copy of motor constants tuned by offline auto tuning are enabled.
- The offline auto tuning status can be monitored with the PU (FR-DU07/FR-PU07/FR-PU04).
- Do not connect a surge voltage suppression filter (FR-ASF-H) to the 01800 or less and sine wave filter (MT-BSL/BSC) to the 02160 or more between the inverter and motor.

(1) Before performing offline auto tuning

Check the following before performing offline auto tuning.

- Make sure advanced magnetic flux vector control (*Pr. 80, Pr. 81*), real sensorless vector control or vector control (*Pr. 800*) is selected.
- A motor should be connected. Note that the motor should be at a stop at a tuning start.
- The motor capacity should be equal to or one rank lower than the inverter capacity. (note that the capacity is 0.4kW or more)
- The maximum frequency is 120Hz.
- Motors such as high-slip motor, high-speed motor and special motor cannot be tuned.
- Even if tuning is performed without motor running (*Pr. 96 Auto tuning setting/status = "1"*), the motor may run slightly. Therefore, fix the motor securely with a mechanical brake, or before tuning, make sure that there will be no problem in safety if the motor runs. (Caution is required especially in vertical lift applications). Note that if the motor runs slightly, tuning performance is unaffected.
- Note the following when selecting offline auto tuning performed with motor running (*Pr. 96 Auto tuning setting/status = "101"*).
Torque is not enough during tuning.
The motor may be run at nearly its rated speed.
The brake is open.
No external force is applied to rotate the motor.
- Offline auto tuning will not be performed properly if it is performed with a surge voltage suppression filter (FR-ASF-H) connected to the 01800 or less and sine wave filter (MT-BSL/BSC) connected to the 02160 or more between the inverter and motor. Remove it before starting tuning.
- When exercising vector control, use the encoder that is coupled directly to the motor shaft without looseness. Speed ratio should be 1:1.

(2) Setting

- 1) Select the advanced magnetic flux vector control, real sensorless vector control or vector control (*refer to page 85*).
- 2) Set "1" or "101" in *Pr. 96 Auto tuning setting/status* .
 - When the setting is "1" Tuning is performed without motor running.
It takes approximately 25 to 120s * until tuning is completed.
(Excitation noise is produced during tuning.)
*Tuning time differs according to the inverter capacity and motor type.
 - When the setting is "101" Tuning is performed without motor running.
It takes approximately 40s until tuning is completed.
The motor runs at nearly its rated frequency.
- 3) Set the rated motor current (initial value is rated inverter current) in *Pr. 9 Electronic thermal O/L relay (refer to page 173)* .
- 4) Set the rated voltage of motor (initial value is 400V) in *Pr. 83 Motor rated voltage* and rated frequency of motor (initial value is 50Hz) in *Pr. 84 Rated motor frequency* .
(For a Japanese standard motor, etc. which has both 50Hz and 60Hz rated values, set 200V/60Hz or 400V/60Hz.)
- 5) Set *Pr. 71 Applied motor* according to the motor used.

Motor		Pr. 71 Setting *
Mitsubishi standard motor	SF-JR, SF-TH	3
	SF-JR 4P-1.5kW or less	23
Mitsubishi high efficiency motor	SF-HR	43
	Others	3
Mitsubishi constant-torque motor	SF-JRCA 4P, SF-TH (constant torque)	13
	SF-HRCA 4P	53
	Others (SF-JRC, etc.)	13
Vector control dedicated motor	SF-V5RU SF-THY	33
Other manufacturer's standard motor	—	3
Other manufacturer's constant torque motor	—	13

* For other settings of *Pr. 71* , refer to *page 176*.



(3) Execution of tuning

CAUTION

- Before performing tuning, check the monitor display of the operation panel (FR-DU07) or parameter unit (FR-PU04/FR-PU07) if the inverter is in the state ready for tuning. (Refer to 2) below) When the start command is turned on under V/F control, the motor starts.

1)When performing PU operation, press / of the operation panel.

For external operation, turn on the run command (STF signal or STR signal). Tuning starts.

CAUTION


- When selecting offline auto tuning performed with motor running (*Pr. 96 Auto tuning setting/status* = "101"), caution must be taken since the motor runs.
- To force tuning to end, use the MRS or RES signal or press of the operation panel.
(Turning the start signal (STF signal or STR signal) off also ends tuning.)
- During offline auto tuning, only the following I/O signals are valid: (initial value)
 - Input signals <valid signal> STOP, OH, MRS, RT, CS, RES, STF, STR
 - Output terminal RUN, OL, IPF, CA, AM, A1B1C1
 Note that the progress status of offline auto tuning is output from AM and CA when speed and output frequency are selected.
- Since the RUN signal turns on when tuning is started, caution is required especially when a sequence which releases a mechanical brake by the RUN signal has been designed.
- When executing offline auto tuning, input the run command after switching on the main circuit power (R/L1, S/L2, T/L3) of the inverter.
- Do not perform ON/OFF switching of the second function selection signal (RT) during execution of offline auto tuning. Auto tuning is not executed properly.
- Setting offline auto tuning (*Pr. 96 Auto tuning setting/status* = "1 or 101") will make pre-excitation invalid.

2)Monitor is displayed on the operation panel (FR-DU07) and parameter unit (FR-PU07/FR-PU04) during tuning as below.

	Parameter Unit (FR-PU07/FR-PU04) Display		Operation Panel (FR-DU07) Display	
<i>Pr. 96</i> setting	1	101	1	101
(1) Setting				
(2) Tuning in progress				
(3) Normal end				
(4) Error end (when the inverter protective function is activated)				

- Reference: Offline auto tuning time (when the initial value is set)

Offline Auto Tuning Setting	Time
Non-rotation mode (<i>Pr. 96</i> = "1")	Approximately 25 to 120s (Tuning time differs according to the inverter capacity and motor type.)
Rotation mode (<i>Pr. 96</i> = "101")	Approximately 40s (Offline auto tuning time varies with the acceleration and deceleration time settings as indicated below. Offline auto tuning time = acceleration time + deceleration time + approx. 30s)


3)When offline auto tuning ends, press  of the operation panel during PU operation. For external operation, turn off the start signal (STF signal or STR signal).
 This operation resets the offline auto tuning and the PU's monitor display returns to the normal indication.
 (Without this operation, next operation cannot be started.)

REMARKS

- Do not change the *Pr. 96* setting after completion of tuning (3 or 103).
 If the *Pr. 96* setting is changed, tuning data is made invalid.
 If the *Pr. 96* setting is changed, tuning must be performed again.

4)If offline auto tuning ended in error (see the table below), motor constants are not set.
 Perform an inverter reset and restart tuning.

Error Display	Error Cause	Remedy
8	Forced end	Set "1" or "101" in <i>Pr. 96</i> and perform tuning again.
9	Inverter protective function operation	Make setting again.
91	Current limit (stall prevention) function was activated.	Increase acceleration/deceleration time. Set "1" in <i>Pr. 156</i> .
92	Converter output voltage reached 75% of rated value.	Check for fluctuation of power supply voltage.
93	Calculation error A motor is not connected.	Check the motor wiring and make setting again.

5)When tuning is ended forcibly by pressing  or turning off the start signal (STF or STR) during tuning, offline auto tuning does not end normally. (The motor constants have not been set.)
 Perform an inverter reset and restart tuning.

CAUTION

- The motor constants measured once in the offline auto tuning are stored as parameters and their data are held until the offline auto tuning is performed again.
- An instantaneous power failure occurring during tuning will result in a tuning error.
 After power is restored, the inverter goes into the normal operation mode. Therefore, when STF (STR) signal is on, the motor runs in the forward (reverse) rotation.
- Any alarm occurring during tuning is handled as in the ordinary mode. Note that if an error retry has been set, retry is ignored.
- The set frequency monitor displayed during the offline auto tuning is 0Hz.

 **CAUTION**

-  Note that the motor may start running suddenly.
-  When the offline auto tuning is used in vertical lift application, e.g. a lifter, it may drop due to insufficient torque.



(4) Utilizing or changing offline auto tuning data for use

The data measured in the offline auto tuning can be read and utilized or changed.
 <Operating procedure>

1) Set Pr. 71 according to the motor used.

Motor	Pr. 71 Setting*	
Mitsubishi standard motor Mitsubishi high efficiency motor	SF-JR, SF-TH	4
	SF-JR 4P 1.5kW or less	24
	SF-HR	44
	Others	4
Mitsubishi constant-torque motor	SF-JRCA 4P SF-TH (constant torque)	14
	SF-HRCA 4P	54
	Others (SF-JRC, etc.)	14
Vector control dedicated motor	SF-V5RU SF-THY	34
Other manufacturer's standard motor	—	4
Other manufacturer's constant torque motor	—	14

*1 For other settings of Pr. 71, refer to the page 176.

2) In the parameter setting mode, read the following parameters and set desired values.

Parameter Number	Name	Setting Range	Setting Increments	Initial Value
82	Motor excitation current	0 to ***, 9999	1	9999
90	Motor constant (R1)	0 to ***, 9999	1	9999
91	Motor constant (R2)	0 to ***, 9999	1	9999
92	Motor constant (L1)	0 to ***, 9999	1	9999
93	Motor constant (L2)	0 to ***, 9999	1	9999
94	Motor constant (X)	0 to ***, 9999	1	9999
859	Torque current	0 to ***, 9999	1	9999

REMARKS

· The display units of the motor constants read using Pr. 684 Tuning data unit switchover can be changed. Note that parameter values can not be changed.

Pr. 684 Setting	Pr. 82, Pr. 455	Pr. 90, Pr. 458	Pr. 91, Pr. 459	Pr. 92, Pr. 460	Pr. 93, Pr. 461	Pr. 94, Pr. 462	Pr. 859, Pr. 860
0	Internal data converted value						
1	01800 or less	0.01A	0.001Ω	0.001Ω	0.1mH	0.1mH	0.01A
	02160 or more	0.1A	0.01mΩ	0.01mΩ	0.01mH	0.01mH	0.1A

· When "9999" is set in Pr. 90 to Pr. 94, Mitsubishi motor (SF-JR, SF-HR, SF-JRCA, SF-HRCA) constants are used.
 · As the motor constants measured in the offline auto tuning have been converted into internal data (***) , refer to the following setting example when making setting:

Setting example To slightly increase Pr. 90 value (5%)
 When Pr. 90 is displayed "2516",
 set 2642, i.e. $2516 \times 1.05 = 2641.8$, in Pr. 90.

(The value displayed has been converted into a value for internal use. Hence, simple addition of a given value to the displayed value has no significance.)

(5) Method to set the motor constants without using the offline auto tuning data

The *Pr. 92* and *Pr. 93* motor constants may either be entered in [Ω] or in [mH]. Before starting operation, confirm which motor constant unit is used.

- To enter the *Pr. 92* and *Pr. 93* motor constants in [Ω]

<Operating procedure>

1) Set *Pr. 71* according to the motor used.

		Star Connection Motor	Delta Connection Motor
Setting	Standard motor	5	6
	Constant-torque motor	15	16

2) In the parameter setting mode, read the following parameters and set desired values.

I_q = torque current, I_{100} = rated current, I_0 = no load current

$$I_q = \sqrt{I_{100}^2 - I_0^2}$$

Parameters Number	Name	Setting Range		Setting Increments	Initial Value
82	Motor excitation current (no load current)	01800 or less	0 to 500A, 9999	0.01A	9999
		02160 or more	0 to 3600A, 9999	0.1A	
90	Motor constant (r1)	01800 or less	0 to 50 Ω , 9999	0.001 Ω	9999
		02160 or more	0 to 400m Ω , 9999	0.01m Ω	
91	Motor constant (r2)	01800 or less	0 to 50 Ω , 9999	0.001 Ω	9999
		02160 or more	0 to 400m Ω , 9999	0.01m Ω	
92	Motor constant (x1)	01800 or less	0 to 50 Ω , 9999	0.001 Ω	9999
		02160 or more	0 to 3600m Ω , 9999	0.01m Ω	
93	Motor constant (x2)	01800 or less	0 to 50 Ω , 9999	0.001 Ω	9999
		02160 or more	0 to 3600m Ω , 9999	0.01m Ω	
94	Motor constant (xm)	01800 or less	0 to 500 Ω , 9999	0.01 Ω	9999
		02160 or more	0 to 100 Ω , 9999		
859	Torque current	01800 or less	0 to 500A, 9999	0.01A	9999
		02160 or more	0 to 3600A, 9999	0.1A	

3) Refer to the following table and set *Pr. 83* and *Pr. 84*.

Parameter Number	Name	Setting Range	Setting Increments	Initial Value
83	Motor rated voltage	0 to 1000V	0.1V	400V
84	Rated motor frequency	10 to 120Hz	0.01Hz	50Hz

REMARKS

- When "9999" is set in *Pr. 90 to Pr. 94*, Mitsubishi motor (SF-JR, SF-HR, SF-JRCA, SF-HRCA) constants are used.

CAUTION

- When "9999" is set in *Pr. 90 to Pr. 94*, Mitsubishi motor (SF-JR, SF-HR, SF-JRCA, SF-HRCA) constants are used.
- If "star connection" is mistaken for "delta connection" or vice versa during setting of *Pr. 71*, advanced magnetic flux vector control, real sensorless vector control and vector control cannot be exercised properly.



- To enter the Pr. 92 and Pr. 93 motor constants in [mH]
<Operating procedure>

1) Set Pr. 71 according to the motor used.

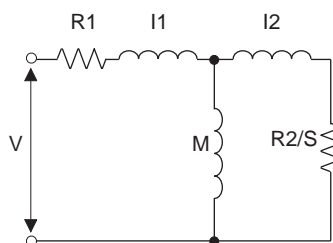
Motor		Pr. 71 Setting
Mitsubishi standard motor	SF-JR	0
	SF-JR 4P 1.5kW or less	20
Mitsubishi high efficiency motor	SF-HR	40
Mitsubishi constant-torque motor	SF-JRCA 4P	1
	SF-TH (constant torque)	
	SF-HRCA 4P	50
Vector control dedicated motor	SF-V5RU	30

*1 For other settings of Pr. 71, refer to the page 176.

2) In the parameter setting mode, read the following parameters and set desired values.

Calculate the Pr. 94 value from the following formula.

$$Pr. 94 \text{ setting} = \left(1 - \frac{M^2}{L1 \times L2} \right) \times 100 (\%)$$



R1: Primary resistance
R2: Secondary resistance
I1: Primary leakage inductance
I2: Secondary leakage inductance
M: Excitation inductance
S: Slip

L1= I1+ M: Primary inductance
L2= I2+ M: Secondary inductance

Motor equivalent circuit diagram

Parameter Number	Name	Setting Range		Setting Increments	Initial Value
82	Motor excitation current (no load current)	01800 or less	0 to 500A, 9999	0.01A	9999
		02160 or more	0 to 3600A, 9999	0.1A	
90	Motor constant (R1)	01800 or less	0 to 50Ω, 9999	0.001Ω	9999
		02160 or more	0 to 400mΩ, 9999	0.01mΩ	
91	Motor constant (R2)	01800 or less	0 to 50Ω, 9999	0.001Ω	9999
		02160 or more	0 to 400mΩ, 9999	0.01mΩ	
92	Motor constant (L1)	01800 or less	0 to 1000mH, 9999	0.1mH	9999
		02160 or more	0 to 400mH, 9999	0.01mH	
93	Motor constant (L2)	01800 or less	0 to 1000mH, 9999	0.1mH	9999
		02160 or more	0 to 400mH, 9999	0.01mH	
94	Motor constant (X)	01800 or less	0 to 100%, 9999	0.1%	9999
		02160 or more	0 to 100%, 9999	0.01%	
859	Torque current	01800 or less	0 to 500A, 9999	0.01A	9999
		02160 or more	0 to 3600A, 9999	0.1A	

3) Refer to the following table and set Pr. 83 and Pr. 84 .

Parameter Number	Name	Setting Range	Setting Increments	Initial Value
83	Motor rated voltage	0 to 1000V	0.1V	400V
84	Rated motor frequency	10 to 120Hz	0.01Hz	50Hz

REMARKS

- When "9999" is set in Pr. 90 to Pr. 94 , Mitsubishi motor (SF-JR, SF-HR,SF-JRCA, SF-HRCA) constants are used.

(6) Tune second applied motor

- When you want to switch two motors with one inverter, set the second motor in *Pr. 450 Second applied motor* (refer to page 176). Initial setting is without second applied motor.
- Turning the RT signal on makes the following parameters for the second parameters valid.

Functions	RT Signal ON (second motor)	RT Signal OFF (first motor)
Motor capacity	Pr. 453	Pr. 80
Number of motor poles	Pr. 454	Pr. 81
Motor excitation current	Pr. 455	Pr. 82
Motor rated voltage	Pr. 456	Pr. 83
Rated motor frequency	Pr. 457	Pr. 84
Motor constant (R1)	Pr. 458	Pr. 90
Motor constant (R2)	Pr. 459	Pr. 91
Motor constant (L1)	Pr. 460	Pr. 92
Motor constant (L2)	Pr. 461	Pr. 93
Motor constant (X)	Pr. 462	Pr. 94
Auto tuning setting/status	Pr. 463	Pr. 96










REMARKS

- The RT signal is assigned to the terminal RT in the initial setting. By setting "3" in any of *Pr. 178 to Pr. 189* (input terminal function selection), you can assign the RT signal to the other terminal.

CAUTION

- Changing the terminal assignment using *Pr. 178 to Pr. 189* (input terminal function selection) may affect the other functions. Please make setting after confirming the function of each terminal.

◆ Parameters referred to ◆

- Pr. 7 Acceleration time, Pr. 8 Deceleration time*  Refer to page 165
- Pr. 9 Electronic thermal O/L relay*  Refer to page 173
- Pr. 71 Applied motor*  Refer to page 176
- Pr. 80 Motor capacity, Pr. 81 Number of motor poles*  Refer to page 85
- Pr. 95 Online auto tuning selection*  Refer to page 188
- Pr. 156 Stall prevention operation selection*  Refer to page 142
- Pr. 178 to Pr. 189* (input terminal function selection)  Refer to page 219
- Pr. 190 to Pr. 196* (output terminal function selection)  Refer to page 226
- Pr. 800 Control method selection*  Refer to page 85



4.13.4 Online auto tuning (Pr. 95, Pr. 574)

Magnetic flux

Sensorless

Vector

When online auto tuning is selected under advanced magnetic flux vector control, real sensorless vector control or vector control, excellent torque accuracy is provided by temperature compensation even if the secondary resistance value of the motor varies with the rise of the motor temperature.

Parameter Number	Name	Initial Value	Setting Range	Description
95	Online auto tuning selection	0	0	Online auto tuning is not performed
			1	Start-time online auto tuning
			2	Magnetic flux observer (normal tuning)
574	Second motor online auto tuning	0	0, 1	Select the second motor online auto tuning. (same as Pr. 95)

(1) Start-time online auto tuning (setting is "1")

- By quickly tuning the motor constants at a start, high accuracy operation unaffected by the motor temperature and stable operation with high torque down to ultra low speed can be performed.
- Make sure advanced magnetic flux vector control (Pr. 80, Pr. 81), real sensorless vector control or vector control (Pr. 800) is selected.
- Before performing online auto tuning, perform offline auto tuning without fail.

<Operation method>

- 1) Refer to page 178 to perform offline auto tuning.
- 2) Check that "3" or "103" (offline auto tuning completion) is set in Pr. 96 Auto tuning setting/status.
- 3) Set "1" (start-time online auto tuning) in Pr. 95 Online auto tuning selection.
Online auto tuning is performed from the next starting.
- 4) Before starting operation, check that the following parameters have been set.

Parameter Number	Description
9	Used as rated motor current and electronic thermal relay parameters.
71	Applied motor
80	Motor capacity (down to one rank lower than the inverter capacity, note that the capacity should be 0.4kW to 55kW)
81	Number of motor poles

- 5) When performing PU operation, press  /  of the operation panel.

For external operation, turn on the run command (STF signal or STR signal).

CAUTION

- For using start-time online auto tuning in elevator, examine the utilization of a brake sequence for the brake opening timing at a start. Though the tuning ends in about a maximum of 500ms after a start, torque is not provided fully during that period. Therefore, note that there may be a possibility of drop due to gravity.
It is recommended to perform tuning using a start time tuning signal (X28). (Refer to page 189.)

(2) Magnetic flux observer (normal tuning) (setting value is "2")

- When exercising vector control using a motor with encoder, it is effective for torque accuracy improvement. The current flowing in the motor and the inverter output voltage are used to estimate/observe the magnetic flux in the motor. The magnetic flux of the motor is always detected with high accuracy so that an excellent characteristic is provided regardless of the change in the temperature of the secondary resistance.
- Vector control (*Pr. 80, Pr. 81, Pr. 800*) should be selected. (*Refer to page 85.*)

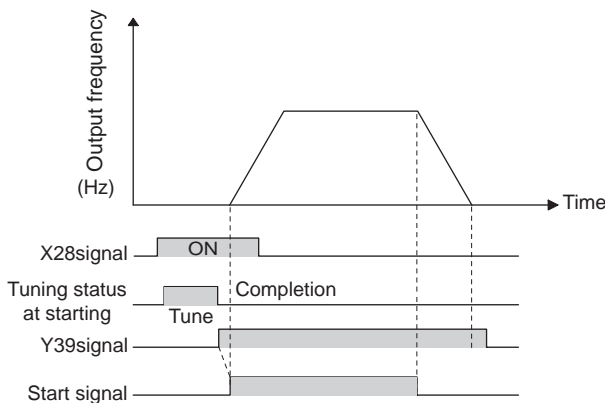
CAUTION

- For the SF-JR (with encoder), SF-HR (with encoder), SF-JRCA (with encoder) or SF-HRCA (with encoder), it is not necessary to perform offline auto tuning to select adaptive magnetic flux observer. (Note that it is necessary to perform offline auto tuning (non-rotation mode) for the wiring length resistance to be reflected on the control when the wiring length is long (30m or longer as reference).

REMARKS

- Online auto tuning does not operate if the MRS signal is input, if the preset speed is less than the *Pr. 13 Starting frequency* (V/F control or advanced magnetic flux vector control), or if the starting conditions of the inverter are not satisfied, e.g. inverter error.
- Online auto tuning does not operate during deceleration or at a restart during DC brake operation.
- Invalid for jog operation.
- Automatic restart after instantaneous power failure overrides when automatic restart after instantaneous power failure is selected. (Start-time online auto tuning is not performed at frequency search.) Perform online auto tuning at a stop with the X28 signal when using automatic restart after instantaneous power failure together. (*Refer to the following* for details.)
- Zero current detection and output current detection are valid during online auto tuning.
- The RUN signal is not output during online auto tuning. The RUN signal turns on at a start.
- If the period from an inverter stop to a restart is within 4s, start-time tuning is performed but the tuning results are not reflected.

(3) Start-time online auto tuning from external terminal (X28 signal, Y39 signal)



- By turning on the start-time tuning signal (X28) before the start signal (STF or STR) turns on (at a stop), online tuning is performed and a starting delay after start signal turns on due to tuning can be avoided.
- Perform offline auto tuning and set "1" (start-time tuning) in *Pr. 95*.
- When the start-time tuning completion signal (Y39) is off, start-time tuning with the X28 signal is performed.
- Start-time tuning ends within 500ms maximum.
- When using the X28 signal, set "28" in *Pr. 178 to Pr. 189 (input terminal function selection)* and assign functions to the input terminal.
- When using the Y39 signal, set "39 (positive logic) or 139 (negative logic)" in *Pr. 190 to Pr. 196 (output terminal function selection)* and assign functions to the output terminal.

REMARKS

- Start-time tuning is performed when the start signal is turned on during zero speed control also.
- The Y39 signal is in on status while secondary magnetic flux exists after the motor stop.
- While the Y39 signal is on, the X28 signal is not valid.
- The STF, STR signals are valid after completion of the start-time tuning.
- Only the output signals below are valid during tuning.
IPF, THP, PU, Y12, RY, ER, LF, MT, CA, AM, A1, B1, C1, A2, B2, C2
- Tuning is invalid during V/F control.

CAUTION

- Changing the terminal assignment using *Pr. 178 to Pr. 189 (input terminal function selection)* or *Pr. 190 to Pr. 196 (output terminal function selection)* may affect the other functions. Make setting after confirming the function of each terminal.



(4) Tune second applied motor

- When you want to switch two motors with one inverter, set the second motor in *Pr. 450 Second applied motor*. (Initial setting is without second applied motor. (Refer to page 176))
Perform tuning using *Pr. 574 Second motor online auto tuning*.
Pr. 574 Second motor online auto tuning is made valid when the RT signal turns on.

Parameter Number	Description
51	Used as rated motor current and electronic thermal relay parameters.
450	Applied motor
453	Motor capacity (down to one rank lower than the inverter capacity, note that the capacity should be 0.4kW or more)
454	Number of motor poles

REMARKS

- The RT signal acts as the second function selection signal and makes the other second functions valid. (Refer to page 223.)
The RT signal is assigned to the terminal RT in the initial setting. By setting "3" in any of *Pr. 178 to Pr. 189 (input terminal function selection)*, you can assign the RT signal to the other terminal.

CAUTION

- Changing the terminal assignment using *Pr. 178 to Pr. 189 (input terminal function selection)* may affect the other functions. Make setting after confirming the function of each terminal.

◆ Parameters referred to ◆

Pr. 9 Electronic thermal O/L relay Refer to page 173
Pr. 71 Applied motor Refer to page 176
Pr. 80 Motor capacity Refer to page 188
Pr. 81 Number of motor poles Refer to page 188
Pr. 96 Auto tuning setting/status Refer to page 178
Pr. 178 to Pr. 189 (input terminal function selection) Refer to page 219
Pr. 190 to Pr. 196 (output terminal function selection) Refer to page 226



4.14 Motor brake and stop operation

Purpose	Parameter that must be Set		Refer to Page
Motor braking torque adjustment	DC injection brake and zero speed control, servo lock	Pr. 10 to Pr. 12, Pr. 802, Pr. 850	191
Improve the motor braking torque with an option	Selection of a regenerative brake	Pr. 30, Pr. 70	195
Performing operation by DC current input	DC current feeding mode	Pr. 30	195
Coast the motor to a stop	Selection of motor stopping method	Pr. 250	201
Used to stop the motor with a mechanical brake (vibration restraint at stop-on-contact)	Stop-on-contact control	Pr. 270, Pr. 275, Pr. 276	202
Used to stop the motor with a mechanical brake (operation timing of a mechanical brake)	Brake sequence function	Pr. 278 to Pr. 285, Pr. 292	205
Perform position stop (orientation) control of the rotation shaft	Orientation control	Pr. 350 to Pr. 366, Pr. 369, Pr. 393, Pr. 396 to Pr. 399	208

4.14.1 DC injection brake and zero speed control, servo lock (LX signal, X13 signal, Pr. 10 to Pr. 12, Pr. 802, Pr. 850)

The DC injection brake can be operated at a motor stop to adjust the stop timing and braking torque. Zero speed control can be selected during real sensorless vector control and either zero speed control or servo lock can be selected under vector control.

In DC injection brake operation, DC voltage is directly applied to the motor to prevent the motor shaft from rotating when a motor decelerates to stop. While, in zero speed control, vector control is performed to maintain 0r/min. In either control, the motor will not return to the original position if the motor shaft rotates due to external force.

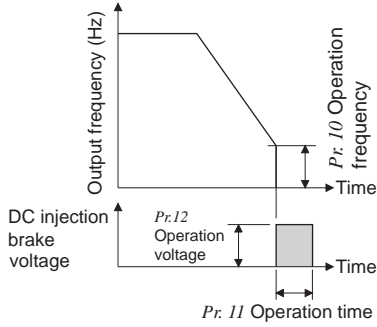
The motor shaft position is maintained with servo lock. The motor will return to the original position if the motor shaft rotates due to external force.

Parameter Number	Name	Initial Value		Setting Range	Description
10	DC injection brake operation frequency	3Hz		0 to 120Hz	Set the operation frequency of the DC injection brake (zero speed control, servo lock).
				9999	Operated at Pr. 13 or less.
11	DC injection brake operation time	0.5s		0	DC injection brake (zero speed control) disabled
				0.1 to 10s	Set the operation time of the DC injection brake (zero speed control, servo lock).
				8888	Operate when X13 signal is on
12	DC injection brake operation voltage	00250 or less	4%	0 to 30%	Set the DC injection brake voltage (torque). When "0" is set, DC injection brake is disabled.
		00310 to 01800	2%		
		02160 or more	1%		
802 *	Pre-excitation selection	0		0	Zero speed control
				1	Servo lock
850	Brake operation selection	0		0	DC injection brake operation
				1	Zero speed control

* This parameter can be set when the FR-A7AP (option) is mounted.



When $Pr. 11 = "0.1 \text{ to } 10s"$



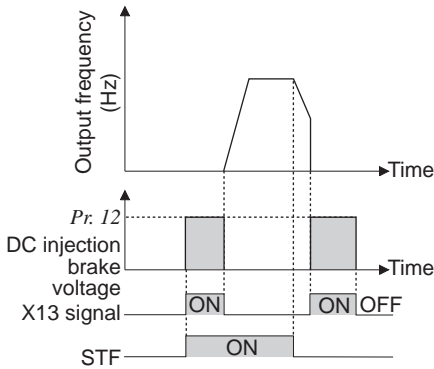
(1) Operation frequency setting ($Pr. 10$)

- When the frequency at which the DC injection brake (zero speed control, servo lock) operates is set in $Pr. 10$, the DC injection brake (zero speed control, servo lock) is operated when this frequency is reached during deceleration.
- At the $Pr. 10$ setting of "9999", the DC injection brake (zero speed control, servo lock) is operated when deceleration is made to the frequency set in $Pr. 13$ Starting frequency.

REMARKS

- Performing pre-excitation (zero speed control) under real sensorless vector may cause motor vibration, etc. at deceleration to stop. To prevent this, set $Pr. 10$ DC injection brake operation frequency to 0.5Hz or less.
- The initial value of $Pr. 10$ automatically changes to 0.5Hz during vector control.

When $Pr. 11 = "8888"$



(2) Operation time setting ($X13$ signal, $Pr. 11$)

- Use $Pr. 11$ to set the duration period the DC injection brake (zero speed control, servo lock) is applied.
- When $Pr. 11 = "0s"$, the DC injection brake (zero speed control, servo lock) is not operated. (At a stop, the motor coasts.)
- When $Pr. 11 = "8888"$, the DC injection brake (zero speed control, servo lock) is applied when X13 signal is turned on.
- For the terminal used for X13 signal input, set "13" in any of $Pr. 178$ to $Pr. 189$ to assign the function. (Refer to page 219)
- When the motor does not stop due to large load moment (J), increasing the setting produces an effect.

REMARKS

- When the X13 signal is turned on with $Pr. 11 = "8888"$, zero speed control is activated regardless of setting of $Pr. 850$ Brake operation selection.
- Under vector control, zero speed control or servo lock is activated depending on the $Pr. 802$ setting.



(3) Operation voltage (torque) setting (Pr. 12)

- Use Pr. 12 to set the percentage to the power supply voltage. (This parameter is not used during zero speed control or servo lock.)
- When Pr. 12 = "0%", the DC injection brake is not operated. (At a stop, the motor coasts.)
- When using the constant-torque motor (SF-JRCA) and energy saving motor (SF-HR, SF-HRCA), change the Pr. 12 setting as follows.
 SF-JRCA: 00126 or less ...4%, 00170 to 01800...2%
 SF-HR, SF-HRCA: 00126 or less...4%, 00170, 00250...3%, 00310 to 01800...2%
 (00770...1.5%)

REMARKS

- For the 00170 and 00250, when the Pr. 12 setting is as below, changing the Pr. 71 Applied motor setting changes the Pr. 12 setting automatically, it is not necessary to change the Pr. 12 setting.
 (a)When Pr. 12 is 4% (initial value)
 The Pr. 12 setting is automatically changed to 2% if the Pr. 71 value is changed from the value selecting the standard motor (0, 2 to 8, 20, 23, 24, 40, 43, 44) to the value selecting the constant torque motor (1, 13 to 18, 50, 53, 54).
 (b)When Pr. 12 is 2%
 The Pr. 12 setting is automatically changed to 4% (initial value) if the Pr. 71 value is changed from the value selecting the constant torque motor (1, 13 to 18, 50, 53, 54) to the value selecting the standard motor (0, 2 to 8, 20, 23, 24, 40, 43, 44).

(4) Brake operation selection during real sensorless vector control (Pr. 850)

- You can select DC injection brake (initial value) or zero speed control for brake operation during real sensorless vector control.
 When Pr. 850 = "1", zero speed control is exercised when the frequency reaches or decreases below the frequency set in Pr. 10.

REMARKS

- When the X13 signal is on with Pr. 11 = "8888", zero speed control is activated regardless of setting of Pr. 850 Brake operation selection.
- When restarting from brake operation during real sensorless vector control, set "1" (zero speed control) in Pr. 850. When the setting value is "0" (DC injection brake), it may take approx. 2s until frequency is actually output from when the start command is input.

(5) Brake operation selection under vector control (Pr. 802)

- When pre-excitation is performed, select zero speed control or servo lock using Pr. 802.

Pr. 802 Setting	Pre-excitation	Description
0 (initial value)	Zero speed control	Even under load, an attempt is made to maintain 0r/min to keep the motor shaft stopped. Note that if the shaft is overcome and turned by external force, it does not return to the original position. Position control is not exercised and only speed control is carried out to perform operation.
1	Servo lock	Even under load, an attempt is made to maintain the motor shaft position. Note that if the shaft is turned by external force, it returns to the original position after the external force has gone away. Since position control is exercised, you can adjust this position loop gain using Pr. 422 Position loop gain.

- The relationship between the DC injection brake operation and pre-excitation operation under each control

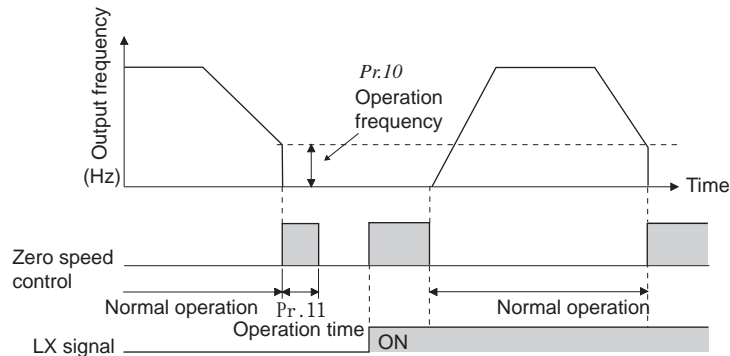
Control Method	Control Mode	Pr. 802	Pr. 850	Decelerates to Stop	LX-ON	X13-ON (Pr. 11 = "8888")
V/F control	—	—	—	DC Injection brake	—	DC Injection brake
Advanced magnetic flux vector control	—	—	—	DC Injection brake	—	DC Injection brake
Real sensorless vector control	Speed	—	0	DC Injection brake	Zero speed	Zero speed
		—	1	Zero speed		
	Torque	—	0	DC Injection brake	Zero speed	Zero speed
		—	1	Zero speed		
Vector control	Speed	0	—	Zero speed	Zero speed	Zero speed
		1	—	Servo lock	Servo lock	Servo lock
	Torque	0	—	Zero speed	Zero speed	Zero speed
		1	—	Servo lock	Servo lock	Servo lock
	Position	—	—	—	Servo lock	—



(6) Pre-excitation signal (LX signal)

- When the LX signal is turned on under real sensorless vector control or vector control, pre-excitation (zero speed control or servo lock) is exercised during a stop.
- For the terminal used for LX signal input, set "23" in any of *Pr. 178 to Pr. 186* to assign the function.

When *Pr.850*=1



CAUTION

- Changing the terminal assignment using *Pr. 178 to Pr. 189 (input terminal function selection)* may affect the other functions. Make setting after confirming the function of each terminal.
- Performing pre-excitation (LX signal and X13 signal) under torque control (real sensorless vector control) may start the motor running at a low speed even when the start command (STF or STR) is not input. The motor may run also at a low speed when the speed limit value=0 with a start command input. Perform pre-excitation after making sure that there will be no problem in safety if the motor runs.
- Although FWD/REV of the operation panel is not lit during pre-excitation, note that voltage is applied to the motor.
- Note that when offline auto tuning (*Pr. 96 Auto tuning setting/status = "1 or 101"*) is performed during pre-excitation, offline auto tuning is not executed but the motor starts.

CAUTION

- ⚠ Do not set *Pr. 11* to "0, 8888" and *Pr. 12* to "0" under orientation operation. Otherwise, the motor will not stop properly.
- ⚠ As stop holding torque is not produced, install a mechanical brake.
After the machine stops fully and the mechanical brake is applied, switch the LX signal (pre-excitation) off.

◆ Parameters referred to ◆

- Pr. 13 Starting frequency* Refer to page 167
- Pr. 71 Applied motor* Refer to page 176
- Pr. 178 to Pr. 189 (Input terminal function selection)* Refer to page 219
- Pr. 422 Position loop gain* Refer to page 131



4.14.2 Selection of regenerative brake and DC feeding (Pr. 30, Pr. 70)

- When making frequent starts/stops, use the optional high-duty brake resistor (FR-ABR), brake unit (BU, FR-BU, MT-BU) to increase the regenerative brake duty.
- Use a power regeneration common converter (FR-CV) or power regeneration converter (MT-RC) for continuous operation in regenerative status.
Use a high power factor converter (FR-HC, MT-HC) to reduce harmonics, improve the power factor, or continuously use the regenerative mode.
- You can select either DC feeding mode 1 in which operation is performed with DC power (terminal P/+, N/-) or DC feeding mode 2 in which operation is performed normally with the AC power (terminal R/L1, S/L2, T/L3) and performed with DC power such as battery at occurrence of power failure.

Parameter Number	Name	Initial Value	Setting Range		Description	
30	Regenerative function selection	0			Regeneration unit	
			0			Terminal for power supply to the inverter
			10		Built-in brake resistor, without regenerative function, brake unit (FR-BU, BU type)	R/L1, S/L2, T/L3
			20			P/+, N/- (DC feeding mode 1)
			1		High-duty brake resistor, brake unit (MT-BU5), power regeneration converter (MT-RC)	R/L1, S/L2, T/L3 - P/+, N/- (DC feeding mode 2)
			11			R/L1, S/L2, T/L3
			21			P/+, N/- (DC feeding mode 1)
2		High power factor converter (FR-HC, MT-HC), power regeneration common converter (FR-CV)	R/L1, S/L2, T/L3 - P/+, N/- (DC feeding mode 2)			
			P/+, N/-			
70	Special regenerative brake duty	0%	01800 or less	0 to 30%	Set the %ED of the built-in brake transistor operation.	
			02160 or more	0 to 10%		

<01800 or less>

Regeneration Unit	Power Supply to the Inverter	Pr. 30 Setting	Pr. 70 Setting	Remarks
Built-in brake (00250 or less), brake unit (FR-BU, BU)	R/L1, S/L2, T/L3	0 (initial value)	—	The regenerative brake duty is as follows. · FR-A740-00023 to 00250 . . . 2% · Other than the above 0% (without built-in brake resistor)
	P/+, N/-	10		
	R/L1, S/L2, T/L3 - P/+, N/-	20		
High-duty brake resistor (FR-ABR) (00620 or less)	R/L1, S/L2, T/L3	1	10/6%	Change the setting according to the capacity. (00250 or less / 00310 or more)
	P/+, N/-	11		
	R/L1, S/L2, T/L3 - P/+, N/-	21		
High power factor converter (FR-HC), power regeneration common converter (FR-CV)	P/+, N/-	2	0 (initial value)	



<02160 or more>

Regeneration Unit	Power Supply to the Inverter	Pr. 30 Setting	Pr. 70 Setting
Not used	R/L1, S/L2, T/L3	0 (initial value)	—
	P/+, N/-	10	
	R/L1, S/L2, T/L3 - P/+, N/-	20	
Power regeneration converter (MT-RC)	R/L1, S/L2, T/L3	1	0% (initial value)
Brake unit (MT-BU5)	R/L1, S/L2, T/L3	1	10%
	P/+, N/-	11	
	R/L1, S/L2, T/L3 - P/+, N/-	21	
High power factor converter (FR-HC)	P/+, N/-	2	—

(1) When the built-in brake resistor, the brake unit (BU, FR-BU) is used

- Set "0 (initial value), 10 or 20" in *Pr. 30*. The *Pr. 70* setting is made invalid.
At this time, the regenerative brake duty is as follows. (The built-in brake resistor is provided for the 00250 or less.)
 - FR-A740-00023 to 00250..2%
 - Other than the above0% (without built-in brake resistor)

(2) When using the high-duty brake resistor (FR-ABR) (00620 or less)

- Set "1, 11 or 21" in *Pr. 30*.
- Set *Pr. 70* as follows.
 - 00250 or less.....10%
 - 00310 or more.....6%

(3) When using a brake unit (MT-BU5) and power regeneration converter (MT-RC)

- Set "1, 11 or 21" in *Pr. 30*.
- Set "10%" in *Pr. 70* when using a brake unit (MT-BU5).
- Set "0%" in *Pr. 70* when using a power regeneration converter (MT-RC).

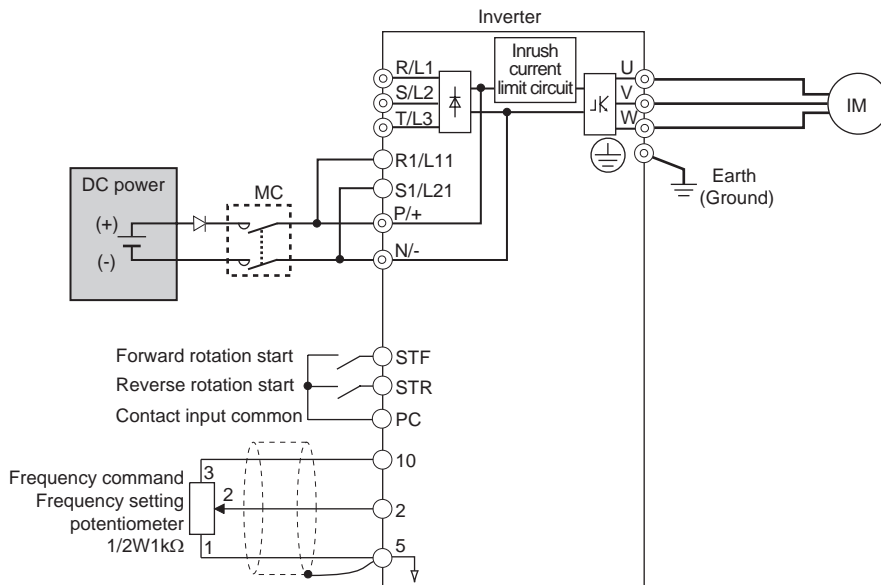
(4) When using the high power factor converter (FR-HC, MT-HC) or power regeneration common converter (FR-CV)

- Set "2" in *Pr. 30*. The *Pr. 70* setting is made invalid.
- Use any of *Pr. 178 to Pr. 189 (input terminal function assignment)* to assign the following signals to the contact input terminals.
 - (a)X10 signal: FR-HC, MT-HC connection, FR-CV connection (inverter operation enable signal)
To make protective coordination with the FR-HC, MT-HC or FR-CV, use the inverter operation enable signal to shut off the inverter output. Input the RDY signal of the FR-HC, MT-HC (RDYB signal of the FR-CV).
 - (b)X11 signal: FR-HC, MT-HC connection (instantaneous power failure detection signal)
When the setting has been made to hold the mode at occurrence of an instantaneous power failure for RS-485 communication operation, use this signal to hold the mode. Input the Y1 or Y2 signal (instantaneous power failure detection signal) of the FR-HC, MT-HC.
- For the terminal used for X10 or X11 signal input, assign its function by setting "10" (X10) or "11" (X11) in any of *Pr. 178 to Pr. 189*.



(5) DC feeding mode 1 (*Pr. 30* = "10, 11")

- Setting "10, 11" in *Pr. 30* enables DC power supply operation.
- Leave the AC power supply connection terminal R/L1, S/L2, and T/L3 open and connect the DC power supply to terminal P/+ and N/-. Also, remove jumpers across terminal R/L1-R1/L11 and S/L2-S1/L21, and connect terminals R1/L11 and S1/L21 to terminal P/+ and N/-.
- The diagram below is a connection example.



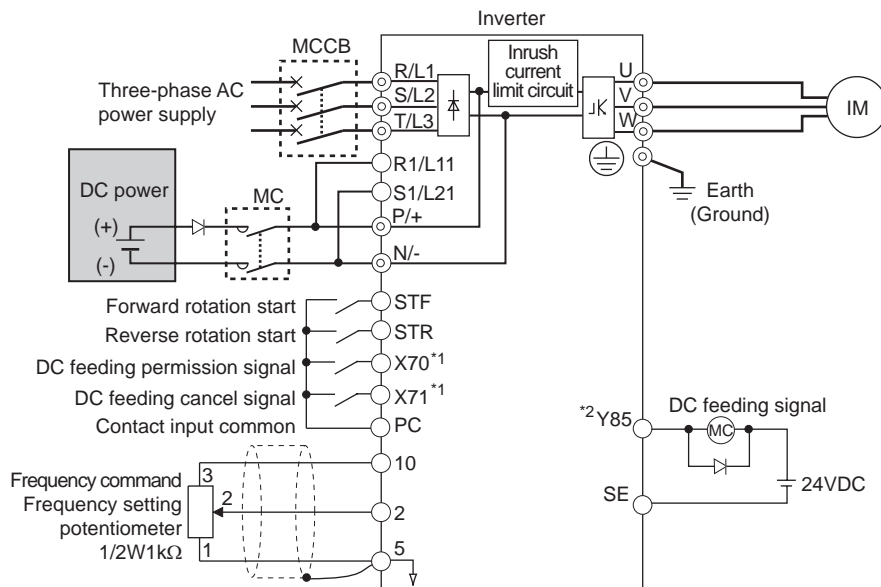


(6) DC feeding mode 2 (Pr. 30 = "20, 21")

- When "20 or 21" is set in Pr. 30, operation is performed with AC power normally and with DC power such as battery at power failure.
- Connect the AC power supply to terminal R/L1, S/L2, and T/L3 and connect the DC power supply to terminal P/+ and N/-. Also, remove jumpers across terminal R/L1-R1/L11 and S/L2-S1/L21, and connect terminals R1/L11 and S1/L21 to terminal P/+ and N/-.
- Turning on the DC feeding operation permission signal (X70) enables DC power supply operation. Refer to the table below for I/O signals.

Signal	Name	Description	Parameter Setting
Input	X70	DC feeding operation permission signal When performing operation with DC feeding, turn on the X70 signal. When the inverter output is shut off because of power failure, the inverter can be started in about 150ms after switching off the X70 signal then on again. (When automatic restart operation is valid, the inverter starts after additional Pr. 57 set time has elapsed.) When the X70 signal turns off during inverter operation, output is shutoff (Pr. 261 = 0) or the inverter is decelerated to a stop (Pr. 261 ≠ 0).	Set 70 in any of Pr. 178 to Pr. 189.
	X71	DC feeding cancel signal Turn this signal on to stop DC feeding. When the X71 signal is turned on during inverter operation with turning on the X70 signal, output is shutoff (Pr. 261 = 0) or the inverter is decelerated to a stop (Pr. 261 ≠ 0), then the X85 signal turns off after the inverter stop. After turning on of the X71 signal, operation can not be performed even if the X70 signal is turned on.	Set 71 in any of Pr. 178 to Pr. 189.
Output	Y85	DC feeding signal This signal turns on during power failure or under voltage of AC power. The signal turns off when the X71 signal turns on or power is restored. The Y85 signal does not turn off during inverter operation even if the power is restored and turns off after an inverter stop. When the Y85 signal turns on because of undervoltage, the Y85 signal does not turn off even if undervoltage is eliminated. ON/OFF status is retained at an inverter reset.	Set "85 (positive logic) or 185 (negative logic)" in any of Pr. 190 to Pr. 196

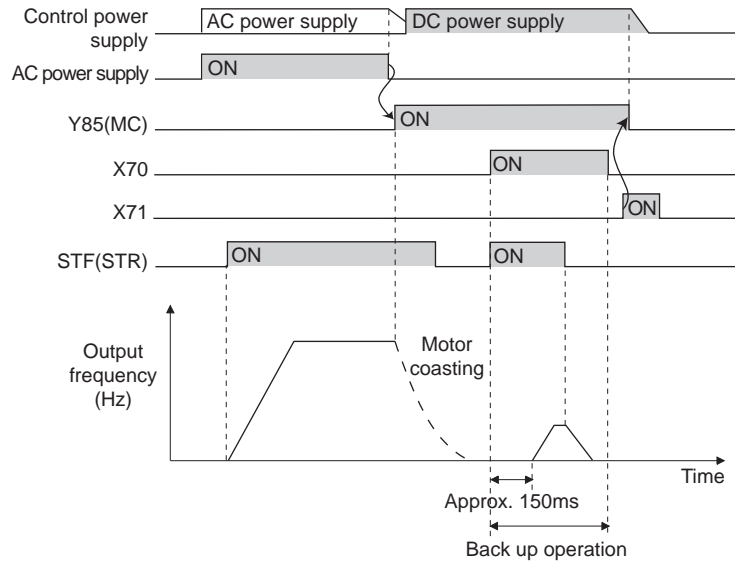
- The following shows the connection diagram when switching to a DC power using inverter power failure detection.



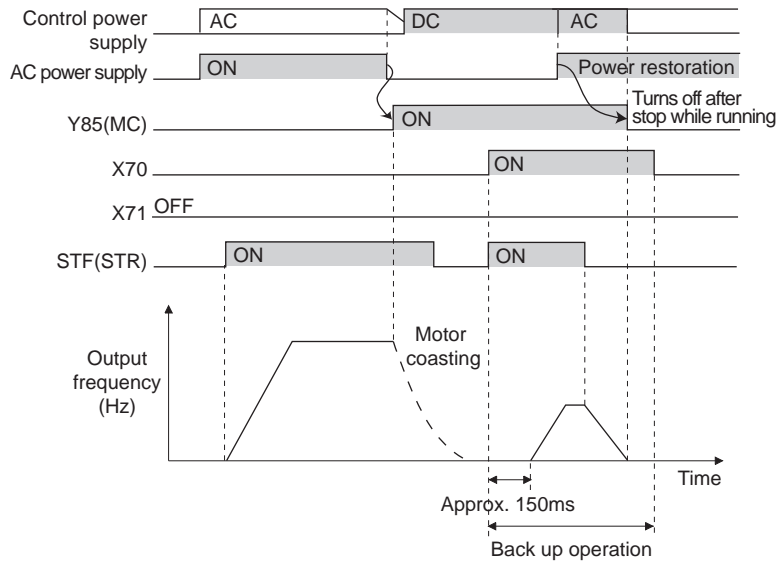
*1 Assign the function using Pr. 178 to Pr. 189 (input terminal function selection).
 *2 Assign the function using Pr. 190 to Pr. 196 (output terminal function selection).



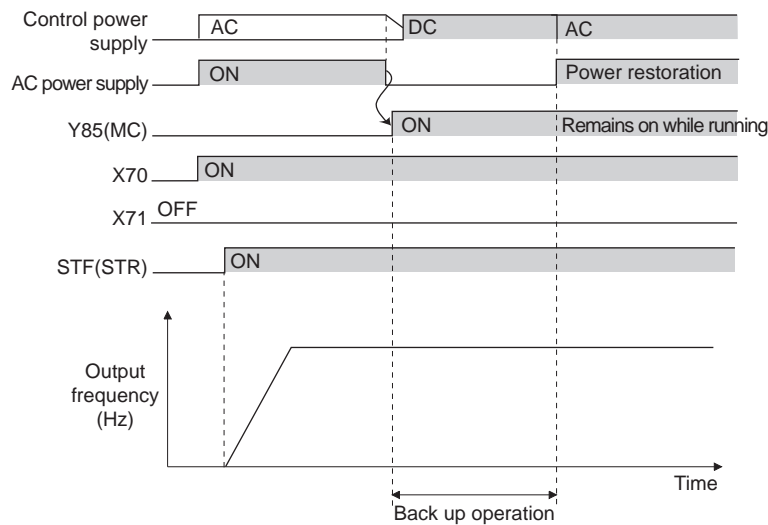
· Operation example 1 at power failure



· Operation example 2 at power failure (when DC power is restored)



· Operation example 3 at power failure (when continuous operation is performed)





(7) Power supply specification at DC feeding

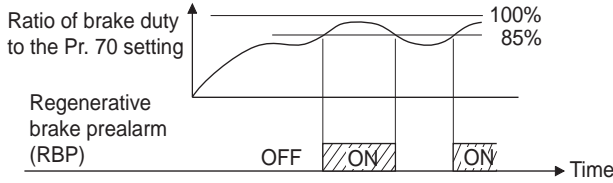
400V class	Rated input DC voltage	537VDC to 679VDC
	Permissible fluctuation	457VDC to 740VDC

CAUTION

- As voltage between P/+, N/- becomes 830V or more temporarily at regeneration, make selection of DC power supply carefully.

(8) Regenerative brake duty alarm output and alarm signal (RBP signal)

100%: regenerative overvoltage protection operation value



- [RB] appears on the operation panel and an alarm signal (RBP) is output when 85% of the regenerative brake duty set in Pr. 70 is reached. If the regenerative brake duty reaches 100% of the Pr. 70 setting, a regenerative overvoltage (E.OV1 to E.OV3) occurs.
- The inverter does not shut off the output when the alarm signal is output.
- For the terminal used for the RBP signal output, assign the function by setting "7" (positive logic) or "107" (negative logic) in any of Pr. 190 to Pr. 196 (output terminal function selection).

REMARKS

- The MRS signal can also be used instead of the X10 signal. (Refer to page 222.)
- Refer to pages 40 to 44 for the connection of high-duty brake resistor (FR-ABR), brake unit, high power factor converter (FR-HC, MT-HC) and power regeneration common converter (FR-CV).
- When AC power is connected to terminal R/L1, S/L2, T/L3 during DC feeding with "2, 10, 11, 20, or 21" (DC feeding) set in Pr. 30, an option alarm (E.OPT) occurs.
- When DC feeding operation is performed with "2, 10, 11, 20, or 21" (DC feeding) set in Pr. 30, undervoltage protection (E.UVT) and instantaneous power failure (E.IPF) are not detected.

CAUTION

- The brake resistor is not connectable to the 00770 or more inverter, the Pr. 70 setting is invalid.
- Changing the terminal assignment using Pr. 178 to Pr. 189 (input terminal function selection) or Pr. 190 to Pr. 196 (output terminal function selection) may affect the other functions. Please make setting after confirming the function of each terminal. (Refer to page 219)

CAUTION

- The value set in Pr. 70 must not exceed the setting of the brake resistor used. Otherwise, the resistor can overheat.

◆ Parameters referred to ◆

- Pr. 57 Restart coasting time Refer to page 250
- Pr. 178 to Pr.189 (input terminal function selection) Refer to page 219
- Pr. 190 to Pr.196 (output terminal function selection) Refer to page 226
- Pr. 261 Power failure stop selection Refer to page 254

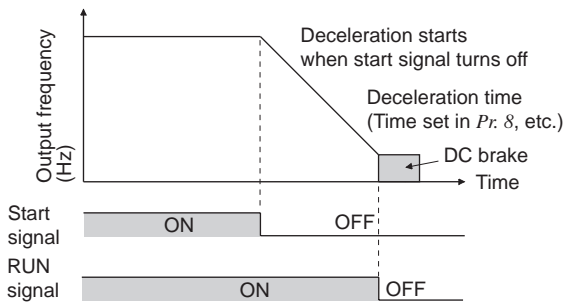


4.14.3 Stop selection (Pr. 250)

Used to select the stopping method (deceleration to a stop or coasting) when the start signal turns off. Used to stop the motor with a mechanical brake, etc. together with switching off of the start signal.

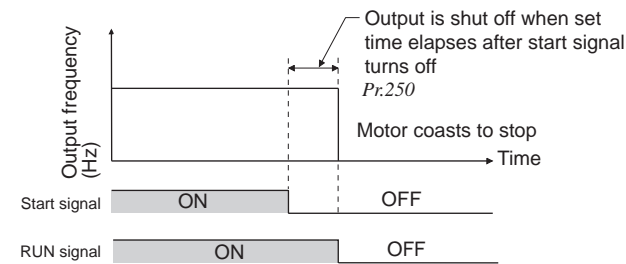
You can also select the operations of the start signals (STF/STR). (Refer to page 224 for start signal selection)

Parameter Number	Name	Initial Value	Setting Range	Description	
				Start signal (STF/STR) (Refer to page 224)	Stop operation
250	Stop selection	9999	0 to 100s	STF signal: Forward rotation start STR signal: Reverse rotation start	The motor is coasted to a stop when the preset time elapses after the start signal is turned off. The motor is coasted to a stop (Pr. 250 - 1000)s after the start signal is turned off.
			1000s to 1100s	STF signal: Start signal STR signal: Forward/reverse signal	
			9999	STF signal: Forward rotation start STR signal: Reverse rotation start	When the start signal is turned off, the motor decelerates to stop.
			8888	STF signal: Start signal STR signal: Forward/reverse signal	



(1) Decelerate the motor to a stop

- Set Pr. 250 to "9999" (initial value) or "8888".
- The motor decelerates to a stop when the start signal (STF/STR) turns off.



(2) Coast the motor to a stop

- Use Pr. 250 to set the time from when the start signal turns off until the output is shut off. When any of "1000" to "1100" is set, the output is shut off after (Pr. 250 - 1000)s.
- The output is shut off when the time set in Pr. 250 has elapsed after the start signal had turned off. The motor coasts to a stop.
- The RUN signal turns off when the output stops.

REMARKS

Stop selection is invalid when the following functions are activated.

- Position control (Pr. 419 = 0)
- Power failure stop function (Pr. 261)
- PU stop (Pr. 75)
- Deceleration stop because of fault definition (Pr. 875)
- Deceleration stop because of communication error (Pr. 502)
- Offline auto tuning (with motor running)
- Emergency stop by LonWORKS communication

CAUTION

- When the start signal is turned on again during motor coasting, the motor starts at Pr. 13 Starting frequency.

◆ Parameters referred to ◆

Pr. 7 Acceleration time, Pr. 8 Deceleration time Refer to page 165

Pr. 13 Starting frequency Refer to page 167

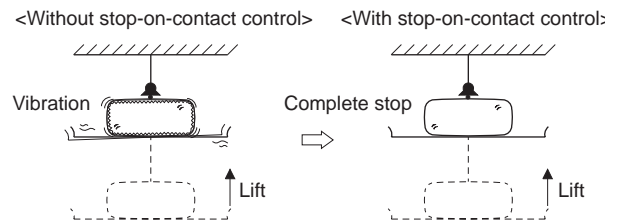


4.14.4 Stop-on contact control function (Pr. 6, Pr. 48, Pr. 270, Pr. 275, Pr. 276)

Magnetic flux Sensorless

To ensure accurate positioning at the upper limit etc. of a lift, stop-on-contact control causes a mechanical brake to be closed while the motor is developing a holding torque to keep the load in contact with a mechanical stopper etc.

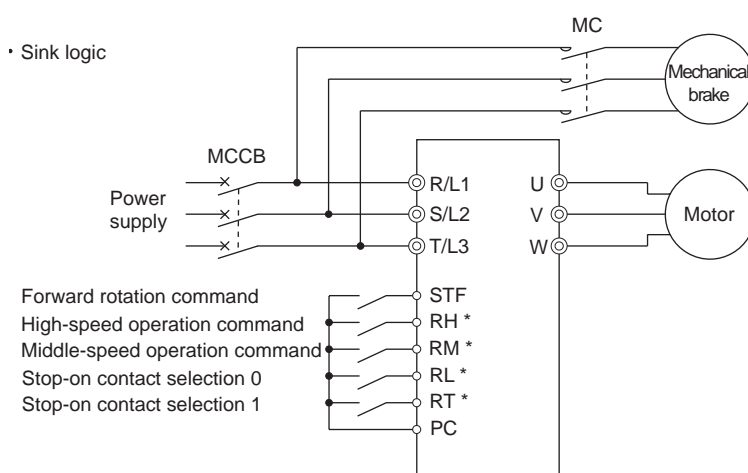
This function suppresses vibration which is liable to occur when the load is stopped upon contact in vertical motion applications, ensuring steady precise positioning.



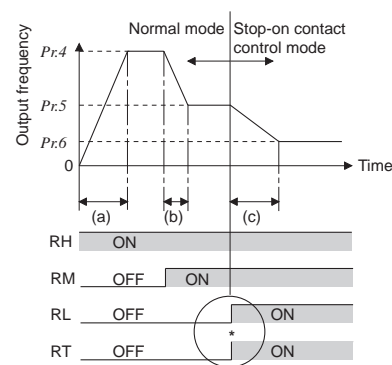
Parameter Number	Name	Initial Value	Setting Range	Description	
6	Multi-speed setting (low speed)	10Hz	0 to 400Hz	Set the output frequency for stop-on-contact control.	
22	Stall prevention operation level	150% *	0 to 400%	Set the stall prevention operation level for stop-on-contact control. The smaller value set in either Pr. 22 or Pr. 48 has a priority.	
48	Second stall prevention operation current	150% *	0 to 220% *		
270	Stop-on contact/load torque high-speed frequency control selection	0	0	Normal operation	
			1	Stop-on-contact control	
			2	Load torque high speed frequency control (Refer to page 356)	
			3	Stop-on-contact+load torque high speed frequency control (Refer to page 356)	
275	Stop-on contact excitation current low-speed multiplying factor	9999	0 to 1000%	Set the force (holding torque) for stop-on-contact control. Normally set 130% to 180%. Valid only during advanced magnetic flux vector control	
			9999	No compensation.	
276	PWM carrier frequency at stop-on contact	9999	01800 or less	0 to 9	Set a PWM carrier frequency for stop-on-contact control. For real sensorless vector control, carrier frequency is always 2Hz when a setting value is 0 to 5 and always 6Hz when a setting value is 6 to 9. (Valid at the frequency of 3Hz or less.)
			02160 or more	0 to 4	
			9999		As set in Pr. 72 PWM frequency selection .

* When Pr. 570 Multiple rating setting ≠ "2", performing all parameter clear and inverter reset changes the initial value and setting range. (Refer to page 147)

<Connection and operation example>



* The input terminal used differs according to the Pr.180 to Pr.189 settings.



Goes into stop-on-contact control mode when both RL and RT switch on.

*RL and RT may be switched on in any order with any time difference

(a):Acceleration time (Pr.7)

(b):Deceleration time (Pr.8)

(c):Second deceleration time (Pr.44/Pr.45)



(1) Set stop-on-contact control

- Make sure that the inverter is in external operation mode. (Refer to page 295)
- Select either real sensorless vector control or advanced magnetic flux vector control.
- Set "1 or 3" in Pr. 270 Stop-on contact/load torque high-speed frequency control selection .
- Set output frequency during stop-on-contact control in Pr. 6 Multi-speed setting (low speed). The frequency should be as low as possible (about 2Hz). If it is set to more than 30Hz, the operating frequency will be 30Hz.
- When both the RT and RL signals are switched on, the inverter enters the stop-on-contact mode, in which operation is performed at the frequency set in Pr. 6 independently of the preceding speed.

CAUTION

- By increasing the Pr. 275 setting, the low-speed (stop-on-contact) torque increases, but overcurrent alarm (E.OCT) may occur or the machine may oscillate in a stop-on-contact state.
- The stop-on-contact function is different from servo-lock function, and if used to stop or hold a load for an extended period, this function can cause the motor to overheat.
After a stop, immediately reset this function and use a mechanical brake to hold the load.
- Under the following operating conditions, the stop-on-contact function is made invalid:
 - PU operation (Pr. 79) · JOG operation (JOG signal) · PU+external operation (Pr. 79) · PID control function operation (Pr. 128)
 - Remote setting function operation (Pr. 59) · Start time tuning · Orientation control function operation
- When performing stop-on-contact control during encoder feedback control, encoder feedback control is made invalid due to a mode shift to the stop-on-contact control mode.

(2) Function switching of stop-on-contact control selection

Useful Functions	Normal Operation (either RL or RT is off or both are off)		With Stop-on-Contact Control (both RL and RT are on)	
	Real sensorless vector control	Advanced magnetic flux vector control	Real sensorless vector control	Advanced magnetic flux vector control
Output frequency	Multi-speed 0 to 5V, 0 to 10V 4 to 20mA etc.		Pr. 6 setting	
Stall prevention operation level	—	Pr. 22 setting	—	The smaller value set in either Pr. 22 or Pr. 48. *
Torque limit level	Pr. 22 setting	—	Pr. 22 setting	—
Excitation current low speed scaling factor	—		—	The current is compensated for by Pr. 275 (0 to 1000%) settings before RL and RT are switched on.
Carrier frequency	Pr. 72 setting		Pr. 276 setting when output frequency is 3Hz or less (Pr. 72 when Pr. 276 = "9999")	
Fast-response current limit	—	Valid	—	Invalid

* When RL and RT are on, Pr. 49 Second stall prevention operation frequency is invalid.



(3) Set frequency when stop-on-contact control (Pr. 270 = 1, 3) is selected

- The following table lists the frequencies set when the input terminals (RH, RM, RL, RT, JOG) are selected together. Bold frame indicates stop-on-contact control is valid.
- Stop-on-contact control is disabled when remote setting function is selected (Pr. 59 = 1 to 3).

Input Signal (○ = on)					Set Frequency
RH	RM	RL	RT	JOG	
○					Pr. 4 Multi-speed setting (high speed)
	○				Pr. 5 Multi-speed setting (middle speed)
		○			Pr. 6 Multi-speed setting (low speed)
			○		By 0 to 5V(0 to 10V), 4 to 20mA input
				○	Pr. 15 Jog frequency
○	○				Pr. 26 Multi-speed setting (speed 6)
○		○			Pr. 25 Multi-speed setting (speed 5)
○			○		Pr. 4 Multi-speed setting (high speed)
○				○	Pr. 15 Jog frequency
	○	○			Pr. 24 Multi-speed setting (speed4)
	○		○		Pr. 5 Multi-speed setting (middle speed)
	○			○	Pr. 15 Jog frequency
		○	○		Pr. 6 Multi-speed setting (low speed)
		○		○	Pr. 15 Jog frequency
			○	○	Pr. 15 Jog frequency
		○	○	○	Pr. 15 Jog frequency

Input Signal (○ = on)					Set Frequency
RH	RM	RL	RT	JOG	
	○		○	○	Pr. 15 Jog frequency
	○	○		○	Pr. 15 Jog frequency
	○	○	○		Pr. 6 Multi-speed setting (low speed)
○			○	○	Pr. 15 Jog frequency
○		○		○	Pr. 15 Jog frequency
○			○		Pr. 6 Multi-speed setting (low speed)
○	○			○	Pr. 15 Jog frequency
○	○		○		Pr. 26 Multi-speed setting (speed 6)
○	○	○			Pr. 27 Multi-speed setting (speed 7)
	○	○	○	○	Pr. 15 Jog frequency
○		○	○	○	Pr. 15 Jog frequency
○	○		○	○	Pr. 15 Jog frequency
○	○	○		○	Pr. 15 Jog frequency
○	○	○	○		Pr. 6 Multi-speed setting (low speed)
○	○	○	○	○	Pr. 15 Jog frequency
					By 0 to 5V(0 to 10V), 4 to 20mA input

CAUTION

- Changing the terminal function using any of Pr. 178 to Pr. 189 may affect the other functions. Please make setting after confirming the function of each terminal.

◆ Parameters referred to ◆

- Pr. 4 to Pr. 6, Pr. 24 to Pr. 27 (multi-speed setting) Refer to page 158
- Pr. 15 Jog frequency Refer to page 160
- Pr. 22 Stall prevention operation level, Pr. 48 Second stall prevention operation current Refer to page 142
- Pr. 22 Torque limit level Refer to page 92
- Pr. 59 Remote function selection Refer to page 162
- Pr. 72 PWM frequency selection Refer to page 268
- Pr. 79 Operation mode selection Refer to page 295
- Pr. 95 Online auto tuning selection Refer to page 188
- Pr. 128 PID action selection Refer to page 343
- Pr. 178 to Pr. 189 (input terminal function selection) Refer to page 219
- Pr. 270 = 2, 3 (load torque high speed frequency control) Refer to page 356



4.14.5 Brake sequence function (Pr. 278 to Pr. 285, Pr. 292) Magnetic flux Sensorless Vector

This function is used to output from the inverter the mechanical brake operation timing signal in vertical lift and other applications.

This function prevents the load from dropping with gravity at a start due to the operation timing error of the mechanical brake or an overcurrent alarm from occurring at a stop, ensuring secure operation.

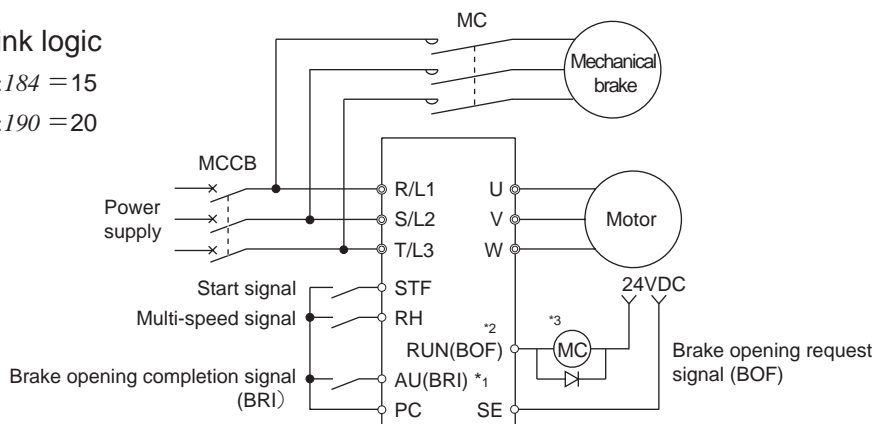
Parameter Number	Name	Initial Value	Setting Range	Description
278	Brake opening frequency	3Hz	0 to 30Hz	Set to the rated slip frequency of the motor + about 1.0Hz. This parameter may be only set if Pr. 278 ≤ Pr. 282.
279	Brake opening current	130%	0 to 220% *2	Generally, set this parameter to about 50 to 90%. If the setting is too low, the load is liable to drop due to gravity at start. Suppose that the rated inverter current is 100%.
280	Brake opening current detection time	0.3s	0 to 2s	Generally, set this parameter to about 0.1 to 0.3s.
281	Brake operation time at start	0.3s	0 to 5s	Set the mechanical delay time until the brake is loosened. Set the mechanical delay time until the brake is loosened + about 0.1 to 0.2s when Pr. 292 = "8".
282	Brake operation frequency	6Hz	0 to 30Hz	Set the frequency to activate the mechanical brake by turning off the brake opening request signal (BOF). Generally, set this parameter to the Pr. 278 setting + 3 to 4Hz. Setting is enabled only when Pr. 282 ≥ Pr. 278.
283	Brake operation time at stop	0.3s	0 to 5s	Set the mechanical delay time until the brake is closed + 0.1s when Pr. 292=7. Set the mechanical delay time until the brake is closed + 0.2 to 0.3s when Pr. 292 = 8.
284	Deceleration detection function selection	0	0	Deceleration is not detected.
			1	If deceleration is not normal during deceleration operation, the inverter alarm is provided.
285	Overspeed detection frequency *1	9999	0 to 30Hz	If (detected frequency) - (output frequency) ≥ Pr. 285 during encoder feedback control, the inverter alarm (E.MB1) is provided.
			9999	Overspeed is not detected.
292	Automatic acceleration/ deceleration	0	0	Normal operation mode
			1, 11	Shortest acceleration/deceleration mode (Refer to page 171)
			3	Optimum acceleration/deceleration mode (Refer to page 172)
			5, 6	Elevator mode (Refer to page 155)
			7	Brake sequence mode 1
			8	Brake sequence mode 2

*1 When exercising vector control with the FR-A7AP, this parameter changes to excessive speed deviation detection frequency (For details, refer to page 109)

*2 When Pr. 570 Multiple rating setting ≠ "2", performing all parameter clear and inverter reset changes the setting range. (Refer to page 147)

<Connection diagram>

- Sink logic
- Pr.184 = 15
- Pr.190 = 20



- *3 The input terminal used differs according to the Pr.178 to Pr.189 settings.
- *4 The output signal terminal used differs according to the Pr.190 to Pr.196 settings.
- *5 The current should be within the permissible current of transistor in the inverter. (24V 0.1ADC)

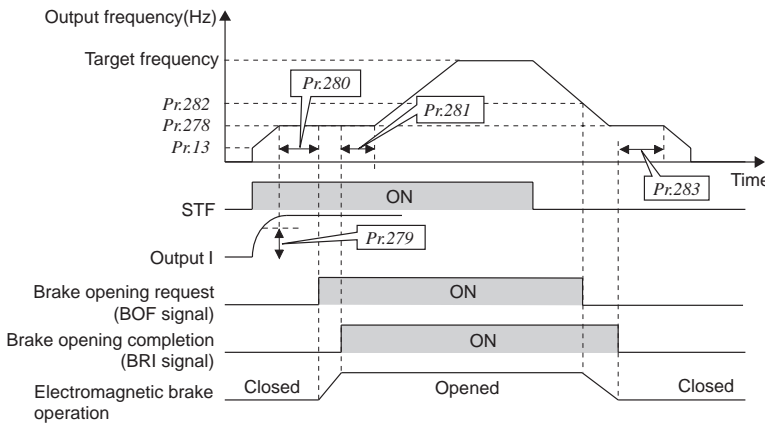
CAUTION

- When brake sequence mode is selected, automatic restart after instantaneous power failure is invalid.
- When using this function, set the acceleration time to 1s or longer.
- Changing the terminal function using any of Pr. 178 to Pr. 189, Pr. 190 to Pr. 196 may affect the other functions. Please make setting after confirming the function of each terminal.



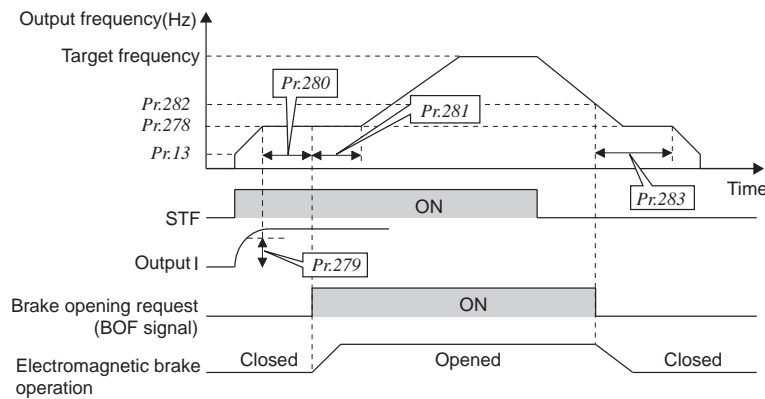
(1) Set the brake sequence mode

- Select either real sensorless vector control, vector control (speed control) or advanced magnetic flux vector control. The brake sequence function is valid only when the external operation mode, external/PU combined operation mode 1 or network operation mode is selected.
- Set "7 or 8" (brake sequence mode) in *Pr. 292* .
To ensure more complete sequence control, it is recommended to set "7" (brake opening completion signal input) in *Pr. 292* .
- Set "15" in any of *Pr. 178 to Pr. 189* (input terminal function selection) and assign the brake opening completion signal (BRI) to the input terminal.
- Set "20 (positive logic)" or 120 (negative logic) in any of *Pr. 190 to Pr. 196* (output terminal function selection) and assign the brake opening request signal (BOF) to the output terminal.



(2) With brake opening completion signal input (*Pr. 292 = "7"*)

- When the start signal is input to the inverter, the inverter starts running. When the internal speed command reaches the value set in *Pr. 278* and the output current is not less than the value set in *Pr. 279* , the inverter outputs the brake opening request signal (BOF) after the time set in *Pr. 280* has elapsed.
- When the time set in *Pr. 281* elapses after the brake opening completion signal (BRI) was activated, the inverter increases the output frequency to the set speed.
- When the speed has decreased to the frequency set in *Pr. 282* during deceleration, the BOF signal is turned off. When the time set in *Pr. 283* elapses after the electromagnetic brake operation was completed and the BRI signal was turned off, the inverter output is switched off.



(3) Without brake opening completion signal input (*Pr. 292 = "8"*)

- When the start signal is input to the inverter, the inverter starts running. When the internal speed command reaches the value set in *Pr. 278* and the output current is not less than the value set in *Pr. 279* , the inverter outputs the brake opening request signal (BOF) after the time set in *Pr. 280* has elapsed.
- When the time set in *Pr. 281* elapses after the BOF signal is output, the inverter increases the output frequency to the set speed.
- When the speed has decreased to the frequency set in *Pr. 282* during deceleration, the brake opening request signal (BOF) is turned off. When the time set in *Pr. 283* has elapsed after the BOF signal is turned off, the inverter output is switched off.

REMARKS

- Even if automatic acceleration/deceleration has been selected, inputting the jog signal (jog operation), RT signal (second function selection) or X9 signal (third function selection) during an inverter stop will switch to the normal operation and give priority to jog operation or second and third function selection. Note that JOG and RT signal input is invalid even if JOG signal and RT signal are input during automatic acceleration/deceleration operation.

**(4) Protective functions**

If any of the following errors occurs in the brake sequence mode, the inverter results in an alarm, shuts off the output, and turns off the brake opening request signal (BOF).

Error Display	Description
E.MB1	(Detection frequency) - (output frequency) > Pr. 285 during encoder feedback control When Pr. 285 <i>Overspeed detection frequency</i> = 9999, overspeed is not detected.
E.MB2	Deceleration is not normal during deceleration operation from the set frequency to the frequency set in Pr. 282. (when Pr. 284 =1) (except stall prevention operation)
E.MB3	Brake opening request signal (BOF) turned on though the motor is at a stop. (gravity drop prevention function)
E.MB4	Although more than 2s have elapsed after the start command (forward or reverse rotation) is input, the brake opening request signal (BOF) does not turn on.
E.MB5	Although more than 2s have elapsed after the brake opening request signal (BOF) turned on, the brake opening completion signal (BRI) does not turn on.
E.MB6	Though the inverter had turned on the brake opening request signal (BOF), the brake opening completion signal (BRI) turned off midway.
E.MB7	Although more than 2s have elapsed after the brake opening request signal (BOF) turned off at a stop, the brake opening completion signal (BRI) does not turn off.

CAUTION

- Overspeed detection (Pr. 285) is valid under encoder feedback control (used with the FR-A7AP option) even if a value other than "7 or 8" is set in Pr. 292.
- A too large setting of Pr. 278 *Brake opening frequency* activates stall prevention operation and may cause E.MB4.

◆ Parameters referred to ◆

Pr. 80 Motor capacity, Pr. 81 Number of motor poles Refer to page 85
 Pr. 180 to Pr. 186 (input terminal function selection) Refer to page 219
 Pr. 190 to Pr. 195 (output terminal function selection) Refer to page 226
 Pr. 800 Control method selection Refer to page 85
 Encoder feedback control Refer to page 362



4.14.6 Orientation control (Pr. 350 to Pr. 366, Pr. 369, Pr. 393, Pr. 396 to Pr. 399)

V/F Magnetic flux Vector

This function is used with a position detector (encoder) installed to the spindle of a machine tool, etc. to allow a rotation shaft to be stopped at the specified position (oriented).

Option FR-A7AP is necessary.

Pr. 350 Stop position command selection is initially set to "9999", orientation control function is invalid.

Parameter Number	Name	Initial Value	Setting Range	Description
350	Stop position command selection	9999	0	Internal stop position command (Pr. 356)
			1	External stop position command (FR-A7AX 16-bit data)
			9999	Orientation control invalid
351	Orientation speed	2Hz	0 to 30Hz	Decrease the motor speed to the set value when the orientation command (X22) is given.
352	Creep speed	0.5Hz	0 to 10Hz	After the speed reaches the orientation speed, the speed decreases to the creep speed set in Pr. 352 as soon as the current position pulse reaches the creep switchover position set in Pr. 353.
353	Creep switchover position	511	0 to 16383*	
354	Position loop switchover position	96	0 to 8191	As soon as the current position pulse reaches the set position loop switchover position, control is changed to position loop.
355	DC injection brake start position	5	0 to 255	After changed to position loop, DC injection brake is applied and the motor stops as soon as the current position pulse reaches the set DC injection brake start position.
356	Internal stop position command	0	0 to 16383*	When "0" is set in Pr. 350, the internal position command is activated and the setting value of Pr. 356 becomes a stop position.
357	Orientation in-position zone	5	0 to 255	Set the in-position zone at a stop of the orientation.
358	Servo torque selection	1	0 to 13	Functions at orientation completion can be selected.
359	Encoder rotation direction	1	0	<p>Clockwise direction as viewed from A is forward rotation</p>
			1	<p>Counter clockwise direction as viewed from A is forward rotation</p>
360	16 bit data selection	0	0	Speed command
			1	16 bit data is used as external position command as is.
			2 to 127	Set the stop position dividing up to 128 stop positions at regular intervals.
				When 1 is set in Pr. 350 and the FR-A7AX is mounted, set a stop position using 16-bit data. Stop position command is input as binary regardless of the Pr. 304 setting.
361	Position shift	0	0 to 16383*	Shift the origin using a compensation value without changing the origin of the encoder. The stop position is a position obtained by adding the setting value of Pr. 361 to the position command.
362	Orientation position loop gain	1	0.1 to 100	When servo torque function is selected using Pr. 358, output frequency for generating servo torque increases to the creep speed of Pr. 352 gradually according to the slope set in Pr. 362. Although the operation becomes faster when the value is increased, a machine may hunt, etc.
363	Completion signal output delay time	0.5s	0 to 5.0s	The orientation complete signal is output delaying the set time after in-position zone is entered. Also, the signal turns off delaying the set time after in-position zone is out.



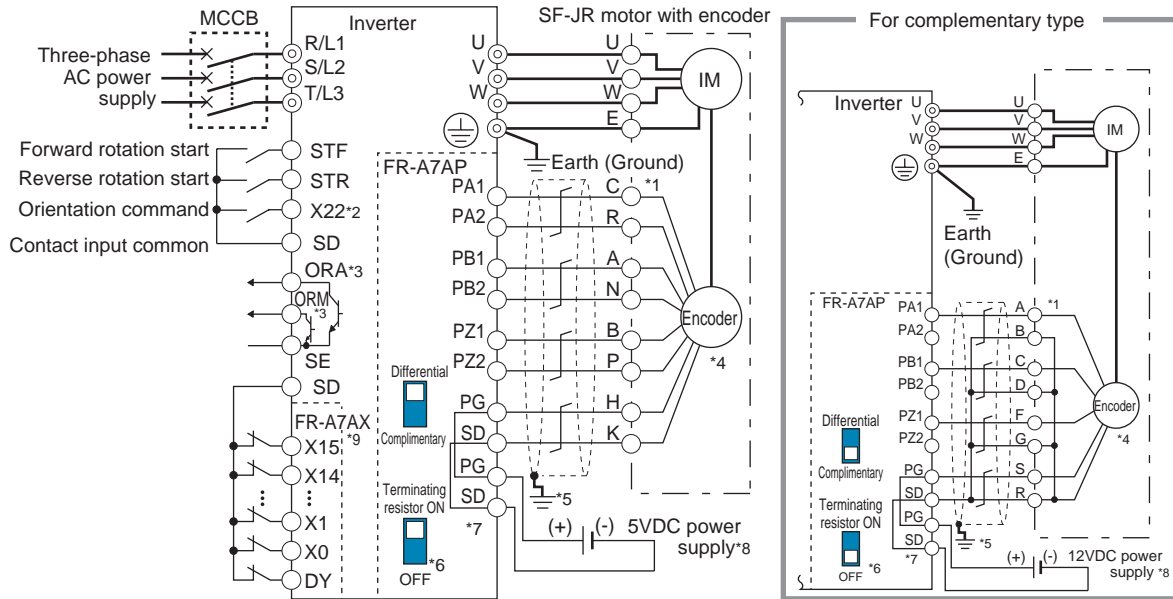
Parameter Number	Name	Initial Value	Setting Range	Description
364	Encoder stop check time	0.5s	0 to 5.0s	Orientation fault signal (ORM) is output when the encoder remains stopped for the set time without orientation completion in the state where no orientation complete signal (ORA) is output. ORM signal is output when orientation is not completed again in the set time in the state where ORA signal is output.
365	Orientation limit	9999	0 to 60.0s	Measure the time taken after passing the creep switchover position and output the orientation fault signal (ORM) if orientation is not completed within the set time.
			9999	Set to 120s.
366	Recheck time	9999	0 to 5.0s	Turning off the start signal with orientation command (X22) on after stopping the motor by orientation control, the present position is checked again after the set time elapses and the orientation complete signal (ORA) or orientation fault signal (ORM) is output.
			9999	Not checked.
369	Number of encoder pulses	1024	0 to 4096	Set the number of pulses of the encoder. Set the number of pulses before multiplied by four.
393	Orientation selection	0	0	Orientation is executed from the current rotation direction.
			1	Orientation is executed from the forward rotation direction.
			2	Orientation is executed from the reverse rotation direction.
396	Orientation speed gain (P term)	60	0 to 1000	Response level during position control loop (servo rigidity) at orientation stop can be adjusted.
397	Orientation speed integral time	0.333	0 to 20.0s	
398	Orientation speed gain (D term)	1	0 to 100.0	Lag/advance compensation gain can be adjusted.
399	Orientation deceleration ratio	20	0 to 1000	Make adjustment when the motor runs back at orientation stop or the orientation time is long.

The above parameters can be set when the FR-A7AP (option) is mounted.

* When the operation panel (FR-DU07) is used, the maximum setting is 9999. When a parameter unit is used, up to the maximum value within the setting range can be set.



(1) Connection example



- *1 The pin number differs according to the encoder used.
- *2 Use Pr. 178 to Pr. 189 (input terminal function selection) to assign the function to any of terminal. (Refer to page 219.)
- *3 Use Pr. 190 to Pr. 196 (output terminal function selection) to assign the function to any of terminal. (Refer to page 226.)
- *4 Connect the encoder so that there is no looseness between the motor and motor shaft. Speed ratio should be 1:1.
- *5 Earth (Ground) the shielded cable of the encoder cable to the enclosure with a P clip, etc. (Refer to page 36.)
- *6 For the differential line driver, set the terminating resistor selection switch to on position (initial status) to use. (Refer to page 32.)
Note that the terminating resistor switch should be set to off position when sharing the same encoder with other unit (NC, etc) or a terminating resistor is connected to other unit.
For the complementary, set the switch to off position.
- *7 For terminal compatibility of the FR-JCBL and FR-A7AP, refer to page 33.
- *8 A separate power supply of 5V/12V/15V/24V is necessary according to the encoder power specification.
When performing encoder feedback control and vector control together, an encoder and power supply can be shared.
- *9 When a stop position command is input from outside, a plug-in option FR-A7AX is necessary. Refer to page 211 for external stop position command.)

<Setting>

If the orientation command signal (X22) is turned on during operation after the various parameters have been set, the speed will decelerate to the "orientation switchover speed". After the "orientation stop distance" is calculated, the speed will further decelerate, and the "orientation state" (servo lock) will be entered. The "orientation complete signal" (ORA) will be output when the "orientation complete width" is entered.

(2) Setting I/O signals

Terminal	Terminal Name	Application Explanation
X22-1	Orientation command input	Used to enter an orientation signal for orientation. For the terminal used for X22 signal input, set "22" in any of Pr. 178 to Pr. 189 to assign the function.
SD	Contact input common	Common terminal for the orientation signal.
ORA-2	Orientation complete signal output	Switched low if the orientation has stopped within the in-position zone while the start and orientation signals are input. For the terminal used for the ORA signal output, assign the function by setting "27 (positive logic) or 127 (negative logic)" in any of Pr. 190 to Pr. 196.
ORM-2	Orientation fault signal output	Switched low if the orientation has not stopped within the in-position zone while the start and orientation signals are input. For the terminal used for the ORM signal output, assign the function by setting "28 (positive logic) or 128 (negative logic)" in any of Pr. 190 to Pr. 196.
SE	Open collector output common	Common terminal for the ORA and ORM open collector output terminals.

- *1 For X22 signals, assign functions to any of terminal using Pr. 178 to Pr. 189 (output terminal function selection). (Refer to page 219)
- *2 For ORA and ORM signals, assign functions to any of terminal using Pr. 190 to Pr. 196 (output terminal function selection). (Refer to page 226)



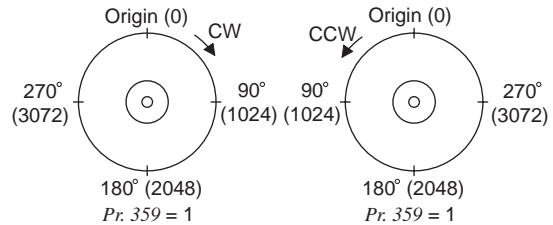
(3) Selecting stop position command (Pr. 350 Stop position command selection)

- Select either the internal stop position command (Pr. 356) or the external stop position command (16-bit data using the FR-A7AX).

Pr.350 Setting	Stop Position Command Source
0	Internal stop position command (Pr. 356: 0 to 16383)
1	External stop position command (FR-A7AX) 16-bit data
9999 (Initial value)	Orientation control invalid

1) Internal stop position command (Pr. 350 = "0")

The value set in Pr. 356 is the stop position.
When the number of encoder pulses is 1024p/r, one revolution of the encoder is divided into 4096 positions, i.e. $360^\circ/4096$ pulses = 0.0879° /pulses per address, as shown on the right. The stop positions (addresses) are indicated in parentheses.



2) External stop position command (Pr. 350 = "1")

Mount the option FR-A7AX and set a stop position using 16-bit data (binary input).
The value set in Pr. 360 16 bit data selection should be the number of stop positions less 1.

Pr. 360 Setting	Description
0	External position command is made invalid (speed command or torque command with the FR-A7AX)
1	Position command direct input The 16-bit digital signal from the FR-A7AX is directly serves as stop position command. <Example> When the Pr. 369 Number of encoder pulses setting is 1024, stop position command from 0 to 4095 can be directly input using the FR-A7AX and input digital signal of 2048 (H800) to stop the motor at 180° position. The command more than 4096 is considered as 4095.
2 to 127	Set the stop position command dividing up to 128 stop positions at regular intervals. If the external stop command entered is greater than the setting, the stop positions are the same as those in the maximum external stop command value. <Example> When the number of stop positions is 90 (divided at intervals of 4°), 90 - 1 = 89. Hence, set "89".

<p>[Example] When Pr. 369 = "1024"</p>	<p>[Example 2] 8 stop positions</p>	<p>[Example 3] 120 stop positions</p>
--	-------------------------------------	---------------------------------------

CAUTION

- Values in parentheses indicate binary data entered from the terminals. Even if the position pulse monitor (Pr. 52 DU/PU main display data selection = 19) is selected, the data monitored is not the number of stop positions but is 0 to 65535 pulses.
- FR-A7AX parameters (Pr. 300 to Pr. 305) are invalid. (Valid when Pr. 360 = "0")
- Terminal DY (data read timing input signal) is made invalid during vector control. (The position data is downloaded at the start of orientation.)
- Internal stop position command is given even if "1" (external stop position command) is set in Pr. 350 when an option card (FR-A7AX) is not mounted or Pr. 360 = "0".



- Relationship between stop position command and 16-bit data

Pr. 350 Stop position command selection	Pr. 360 16 bit data selection	Operation		
		Stop position command	16 bit data (FR-A7AX)	Speed command
0: internal	0: speed command	Internal (Pr. 356)	Speed command	16 bit data
	1, 2 to 127: position command	Internal (Pr. 356)	Invalid	External command (or PU)
1: external	0: speed command	Internal (Pr. 356)	Speed command	16 bit data
	1, 2 to 127: position command	External (Internal when the FR-A7AX is not mounted (Pr. 356))	Position command	External command (or PU)

3) Pr. 361 Position shift (initial value "0")

The stop position is a position obtained by adding the setting value of Pr. 361 to the position command.

<Position shift function>

Shift the origin using a compensation value without changing the origin of the position detector (encoder).

REMARKS

- When orientation control is made valid using Pr. 350 Stop position command selection with the FR-A7AP mounted, the rotation direction of encoder is displayed on the rotation direction display of the PU (FR-DU07/FR-PU04/FR-PU07). Set the parameter so that turning on the STF signal displays FWD or turning on the STR signal displays REV.

(4) Monitor display change

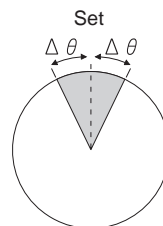
Monitor	REMARKS
Position pulse monitor	When "19" is set in Pr. 52 , position pulse monitor is displayed instead of output voltage monitor of the PU. (Displayed only when the FR-A7AP is mounted.)
Orientation status*	When "22" is set in Pr. 52 , orientation status is displayed instead of output voltage monitor of the PU. (Displayed only when the FR-A7AP is mounted.) 0-Other than orientation operation or orientation speed is not reached 1-Orientation speed is reached 2-Creep speed is reached 3-Position loop is reached 4-Orientation complete 5-Orientatino fault (pulse stop) 6-Orientatino fault (orientation limit) 7-Orientation fault (recheck) 8-Continuous multi-point orientation

* Invalid during vector control. ("0" is always displayed)

(5) Pr. 357 Orientation in-position zone (initial value "5")

- The positioning width for orientation stop can be set. The initial setting of Pr. 357 is "5". To change the $\Delta\theta$ value, finely adjust with ± 10 increments, and make fine adjustment.
- If the position detection value from the encoder enters $\pm\Delta\theta$ during orientation stop, the orientation complete signal (ORA) will be output.

Example of operation



$$\Delta\theta = \frac{360^\circ}{\text{Pr.369} \times \text{four times}} \times \text{Pr. 357}$$

Number of encoder pulses



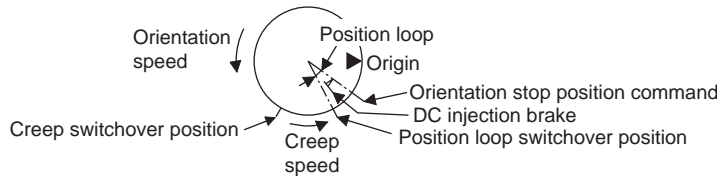
(6) Orientation operation (under V/F control, advanced magnetic flux vector control)

● Orientation during running

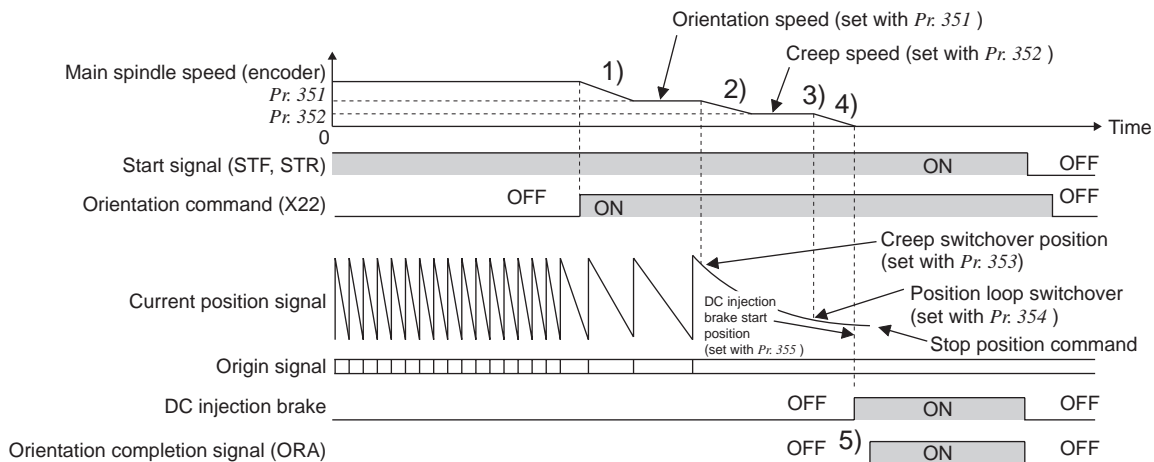
- 1) When the orientation command (X22) is input, the motor speed decreases to the orientation speed set in *Pr. 351 Orientation speed* . (*Pr. 351* initial value: 2Hz)
- 2) After the speed reaches the orientation speed, the speed decreases to the creep speed set in *Pr. 352 Creep speed* as soon as the current position pulse reaches the creep switchover position set in *Pr. 353 Creep switchover position* (*Pr. 352* initial value:0.5Hz, *Pr. 353* initial value: 511)
- 3) Moreover, as soon as the current position pulse reaches the set position loop switchover position in *Pr. 354 Position loop switchover position* , control is changed to position loop. (*Pr. 354* initial value: 96)
- 4) After switching to position loop, the inverter decelerates and stops with DC injection brake as soon as the current position pulse has reached the DC injection brake start position set in *Pr. 355 DC injection brake start position*. (*Pr. 355* initial value: 5)
- 5) When the position pulse has stopped within the in-position zone set in *Pr. 357 Orientation in-position zone* , the orientation completion signal (ORA) is output after the completion signal output delay time set in *Pr. 363 Completion signal output delay time* has elapsed. If the motor does not stop within the in-position zone due to external force, etc., the orientation completion signal is turned off after the time set in *Pr. 363 Completion signal output delay time* has elapsed. (*Pr. 357* initial value: 5)
- 6) If the orientation is not completed continuously for the time set in *Pr. 365 Orientation limit* after passing the creep switchover position, the orientation fault signal (ORM) is output.
- 7) When the motor stops before the position pulse reaching the in-position zone due to external force after orientation start and orientation completion signal (ORA) is not output, orientation fault signal (ORM) is output after the time set in encoder stop check time set in *Pr. 364 Encoder stop check time* has elapsed. Moreover, the orientation complete signal (ORA) is turned off after the time set in *Pr. 363 Completion signal output delay time* has elapsed if the position pulse is outside the in-position zone due to external force, etc. after outputting the orientation complete signal (ORA), and the orientation fault signal (ORM) is output if the orientation has not completed within the time set in *Pr. 364 Encoder stop check time* .
- 8) When the start signal (STF or STR) is turned off with the orientation command on after outputting the orientation completion signal (ORA) and orientation fault signal (ORM), the orientation complete signal (ORM) or orientation fault signal (ORM) is output again after recheck time set in *Pr. 366 Recheck time* has elapsed.
- 9) The orientation completion signal (ORA) and orientation fault signal (ORM) are not output when the orientation command is off.

REMARKS

- When the orientation command is off with the start signal on, the speed accelerates to the command speed.



- If the motor shaft hants, set a larger value in *Pr. 354 Position loop switchover position* or a smaller value in *Pr. 352 Creep speed* to prevent it.
- Action time chart



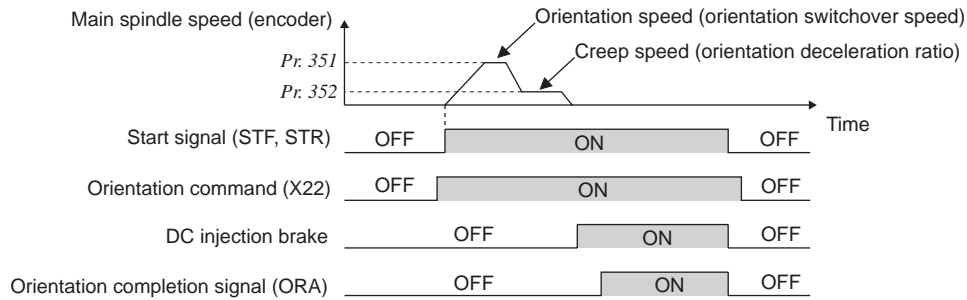


● **Orientation from stop**

After turning on the orientation command (X22), turning on the start signal will increase the motor speed to the orientation speed set in *Pr. 351 Orientation speed*, then orientation operation same as when "orientation during running" is performed.

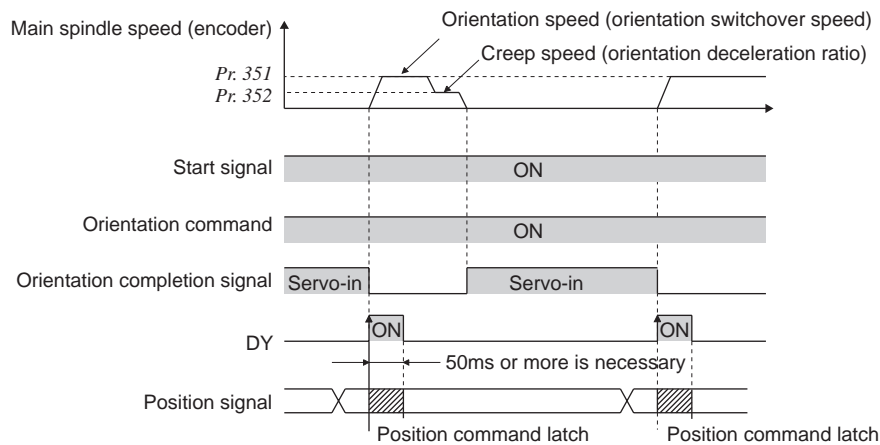
Note that, DC injection brake is operated if the position signal is within the DC injection brake start position.

• Action time chart



● **Continuous multi-point orientation**

Orientation command and orientation with STF/STR on
(Orientation in servo in status)



- Read the position data at starting up of DY (refer to the *FR-A7AX instruction manual*).
- When the position signal is within the creep switchover position, the speed starts up to the creep speed not to the orientation speed.
- When the position signal is not within the creep switchover position, the speed starts up to the orientation speed.
- The DC injection brake is operated if the position signal is within the DC injection brake start position.
- 16-bit data with the FR-A7AX is valid only when the DY signal is on.

CAUTION

- The encoder should be coupled with the motor shaft or main spindle oriented with a speed ratio of 1 to 1 without any mechanical looseness.
- DC injection brake operates when orientation stop is made. Release the DC injection brake in a time as short as possible (within several seconds) since continuous operation of the DC injection brake will cause the motor to overheat, leading to burnout.
- Since no servo lock function is available after orientation stop, provide a holding mechanism such as mechanical brake or knock pin when secure holding of a main spindle is required.
- To ensure correct positioning, the encoder must be set in the proper rotation direction and the A and B phases connected correctly.
- When the pulse signal from the encoder stops due to the encoder signal loss, etc. during orientation, the orientation fault signal (ORM) may be output.
- When the DC injection brake is set to disabled using parameter for DC injection brake adjustment (voltage, frequency, speed, time) when performing orientation control, orientation operation can not be completed. Always set the DC injection brake enabled.
- To terminate orientation, the start signal (STF or STR) must be first switched off and the orientation signal (X22) must be switched off. As soon as this orientation signal is switched off, orientation control ends. (Depending on the *Pr. 358 Servo torque selection* setting, orientation status continues if the orientation signal remains on even if DC injection brake is released at turning off of the start signal. Therefore, the orientation status of the monitor function is not 0.)
- When retry function of *Pr. 358 Servo torque selection* is selected, this retry function is performed three times including the first orientation.
- When performing orientation control, make proper setting of *Pr. 350 Stop position command selection* and *Pr. 360 16 bit data selection (external position command selection)*. If the values set are incorrect, proper orientation control will not be performed.
- When *Pr. 11 DC injection brake operation time = "8888"* (DC injection brake external selection), DC injection brake does not operate if the X13 signal is not turned on. Note that the DC injection brake is applied under orientation control regardless of the X13 signal status.
- When orientation control is exercised, PID control is invalid.



● Servo torque selection (Pr. 358)

Valid only under V/F control and advanced magnetic flux vector control.

Function	Pr. 358 Setting													Remarks	
	0	1	2	3	4	5	6	7	8	9	10	11	12		13
1) Servo torque function selection until output of the orientation completion signal (ORA)	×	○	○	○	○	×	○	×	○	×	○	×	×	○	○: With servo torque function ×: Without servo torque function
2) Retry function selection	×	×	×	×	×	×	○	×	×	×	○	×	×	○: With retry function ×: Without retry function	
3) Output frequency is compensated when the motor stops outside the in-position zone	×	×	○	○	×	○	○	×	×	×	×	×	○	○	○: With frequency compensation ×: Without frequency compensation
4) DC injection brake and servo torque selection when the position pulse comes off the in-position zone after output of the orientation completion signal (ORA)	○	×	×	×	×	○	○	○	○	○	○	○	○	○	○: With DC injection brake ×: With servo torque
5) End switch selection of the DC injection brake and orientation completion signal (ORA)	○	○	○	×	×	○	○	○	○	×	×	×	×	×	○: When the start signal (STF, STR) or orientation command is turned off ×: When the orientation command is turned off
6) Completion signal off selection when the position pulse comes off the in-position zone after output of the orientation completion signal (ORA)	○	○	○	○	○	×	×	×	×	×	×	×	×	×	○: Turns off the completion signal when the motor stops outside of the in-position zone ×: Completion signal remains on even if the position pulse comes off the completion zone (orientation fault signal (ORM) is not output)

REMARKS

- When the orientation command is off with the start signal on, the speed accelerates to the command speed.
 - When the motor shaft stops outside of the set setting range of stop position, the motor shaft is returned to the stop position by servo torque function (if enough torque is generated).
- 1) Servo torque function selection until output of the orientation completion signal
Whether servo torque is available or not is selected using *Pr. 358 Servo torque selection*. Servo torque is not generated if the current position pulse is in between the orientation stop position and DC injection brake start position. Although, the shaft is retained by the DC injection brake, servo torque is generated to return the shaft within the width if the shaft moves out of the width by external force, etc. Once the orientation completion signal (ORA) is output, the motor runs according to the setting made in 4).
 - 2) Retry function selection
Select retry function using *Pr. 358 Servo torque selection*. Note that servo torque function can not be used together. When the motor shaft is not stopped within the in-position zone when the motor stop is checked, orientation operation is performed again by retry function.
With this retry function, three orientations including the first one are performed. More than three times retry operations are not made. (The orientation fault signal (ORM) is not output during retry operation)
 - 3) Frequency compensation function when the motor stops outside the orientation in-position zone
When the motor stops before entering the in-position zone due to external force, etc., output frequency is increased to move the shaft to the orientation stop position. The output frequency is gradually increased to the creep speed of *Pr. 352 Creep speed*.
Note that retry function can not be used together.
 - 4) DC injection brake and servo torque selection when the position pulse comes off the in-position zone after output of the orientation completion signal (ORA)
If the position pulse comes off the orientation in-position width, you can select a setting either fixing a shaft with the DC injection brake or returning the motor to the orientation stop position with servo torque.
 - 5) Orientation operation end switch operation selection between DC injection brake or servo torque
When ending the orientation operation, turn off the start signal (STF or STR), then turn off the orientation command (X22). At this time, you can select when to turn off the orientation completion signal (ORA) from between at turning off of the start signal or turning off of the orientation command signal.
 - 6) Selection of completion signal off or on when the motor stops outside of the in-position zone after output of the orientation completion signal (ORA)
You can select the mode to turn off the completion signal or keep the completion signal on (orientation fault signal (ORM) is not output) when the motor stops outside of the in-position zone.



● **Position loop gain (Pr. 362)**

When servo torque function is selected using Pr. 358 Servo torque selection , output frequency for generating servo torque increases to the creep speed of Pr. 352 Creep speed gradually according to the slope set in Pr. 362 Orientation position loop gain .

Although the operation becomes faster when the value is increased, a machine may hunt, etc.

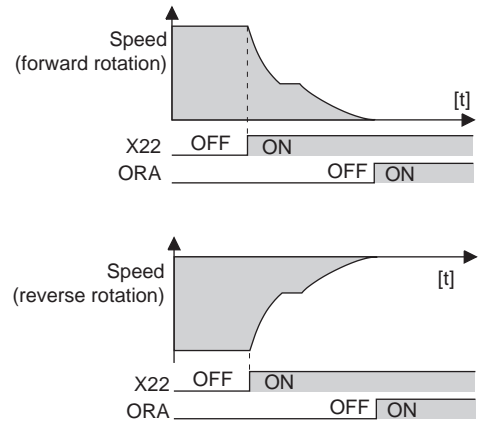
(7) Orientation operation explanation (during vector control)

● **Setting the rotation direction (Pr. 393 Orientation selection)**

Pr. 393 Setting	Rotation Direction	Remarks
0 (initial value)	Pre-orientation	Orientation is executed from the current rotation direction.
1	Forward rotation orientation	Orientation is executed from the forward rotation direction. (If the motor is running in reverse, orientation is executed from the forward rotation direction after deceleration.)
2	Reverse rotation orientation	Orientation is executed from the reverse rotation direction. (If the motor is running in forward, orientation is executed from the reverse rotation direction after deceleration.)

1) Orientation from the current rotation direction

- When the orientation command (X22) is input, the motor speed will decelerate from the running speed to Pr. 351 Orientation speed.
At the same time, the orientation stop position command will be read in.
(The stop position command is determined by the setting of Pr. 350 and Pr. 360. Refer to the right chart.)
- When the orientation switchover speed is reached, the encoder Z phase pulse will be confirmed, and the mode will change from speed control to position control (Pr. 362 Orientation position loop gain).
- The distance to the orientation stop position is calculated at switching of the control, and the motor decelerates and stops with a set deceleration pattern (Pr. 399) and the orientation (servo lock) state will be entered.
- When entered in the Pr. 357 Orientation in-position zone, the orientation completion signal (ORA) will be output.
- The zero point position (origin) can be moved using Pr. 361 Position shift .

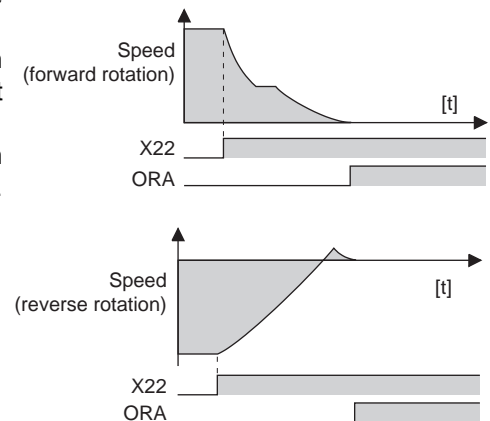


⚠ WARNING

⚠ If the orientation command (X22) is turned off while the start signal is input, the motor will accelerate toward the speed of the current speed command. Thus, to stop, turn the forward rotation (reverse rotation) signal off.

2) Orientation from the forward rotation direction

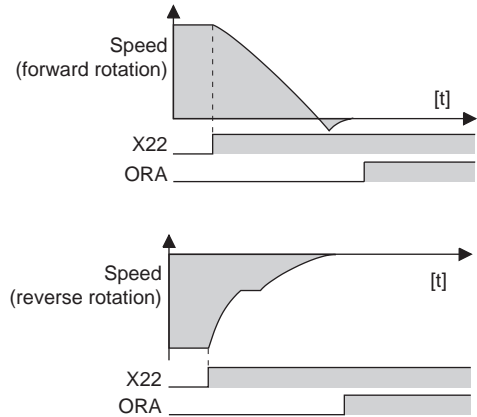
- This method is used to improve the stopping precision and maintain the mechanical precision when the backlash is large.
- If the motor is running in the forward rotation direction, it will make an orientation stop with the same method as "orientation from the current rotation direction".
- If the motor is running in reverse, it will decelerate, the rotation direction will be changed to forward run, and then orientation stop will be executed.





3) Orientation from the reverse rotation direction

- If the motor is running in the reverse rotation direction, it will make an orientation stop with the same method as "orientation from the current rotation direction".
- If the motor is running in forward, it will decelerate, the rotation direction will be changed to reverse run, and then orientation stop will be executed.



CAUTION

- The encoder should be coupled with the motor shaft oriented with a speed ratio of 1 to 1 without any mechanical looseness.
- To ensure correct positioning, the encoder must be set in the proper rotation direction and the A and B phases connected correctly.
- Orientation may not be completed if the pulse signals are not received from the encoder during orientation due to a break in the cable or the like.
- To terminate orientation, the start signal (STF or STR) must be first switched off and the orientation signal (X22) must be switched off. As soon as this orientation signal is switched off, orientation control ends.
- When performing orientation control, make proper setting of *Pr. 350 Stop position command selection* and *Pr. 360 16 bit data selection*. If the values set are incorrect, proper orientation control will not be performed.
- When orientation control is exercised, PID control is invalid.

REMARKS

If "E.ECT" (no encoder signal) is displayed causing the inverter to trip when the orient signal (X22) is ON, check for a break in the cable of the Z phase of the encoder.

● **Servo rigidity adjustment (Pr. 362, Pr. 396 to Pr. 398)**

- To increase the servo rigidity ¹ during orientation stop using *Pr. 396 or Pr. 397*, adjust with the following procedures.
 - 1) Increase the *Pr. 362 Orientation position loop gain* value to the extent that rocking ² does not occur during orientation stop.
 - 2) Increase *Pr. 396 and Pr. 397* at the same rate.
Generally adjust *Pr. 396* in the range from 10 to 100, and *Pr. 397* from 0.1 to 1.0s.
(Note that these do not need to be set to the same rate.)

<Example>

When the *Pr. 396* value is multiplied by 1.2, divide the *Pr. 397* value by 1.2.

If vibration occurs during orientation stop, the scale cannot be raised any higher.

- 3) *Pr. 398* is the lag/advance compensation gain.

The limit cycle ³ can be prevented by increasing the value, and the running can be stopped stably. However, the torque in regard to the position deviation will drop, and the motor will stop with deviation.

POINT

Application of lag/advance control and PI control

PI control can be applied by setting *Pr. 398* to 0. Normally, the lag/advance control is selected. Note that PI control should be used when using a machine with a high spindle stationary friction torque and requires a stopping position precision.

*1 Servo rigidity: This is the response when a position control loop is configured. When the servo rigidity is raised, the holding force will increase, the running will stabilize, but vibration will occur easily. When the servo rigidity is lowered, the holding force will drop, and the setting time will increase.
 *2 Rocking: Movement in which return occurs if the stopping position is exceeded.
 *3 Limit cycle: This is a phenomenon that generates ± continuous vibration centering on the target position.



● **Pr. 399 Orientation deceleration ratio (initial value is 20)**

- Make adjustments as shown below according to the orientation status.
(Refer to the Pr. 396 and Pr. 397 details also.)
Generally adjust Pr. 362 in the range from 5 to 20, and Pr. 399 from 5 to 50.

Phenomenon	Adjustment Procedure			
	Pr. 396	Pr. 397	Pr. 362	Pr. 399
Rocking occurs during stopping	3) ↗	3) ↗	2) ↘	1) ↘
The orientation time is long	→	→	2) ↗	1) ↗
Hunting occurs when stopping	2) ↘	2) ↗	1) ↘	→
The servo rigidity during stopping is low	1) ↗	1) ↘	2) ↗	→

REMARKS

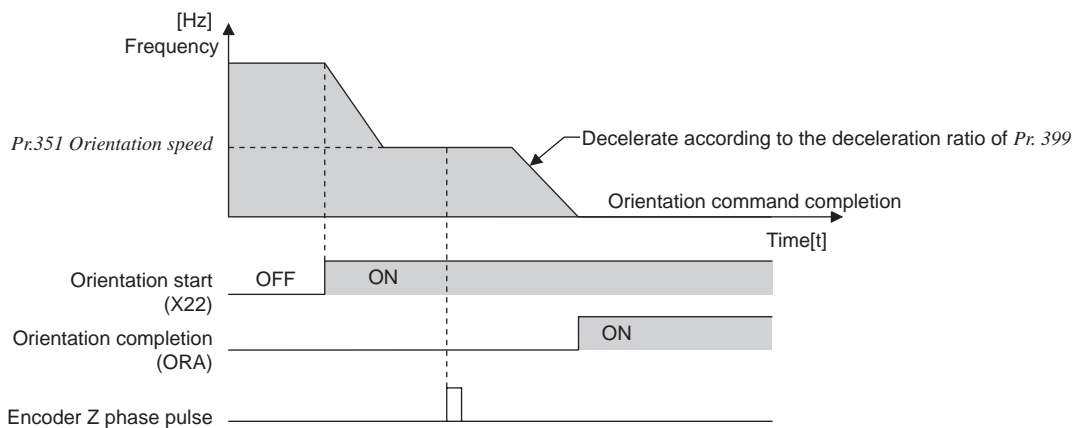
- ↗ :Increase the parameter setting value.
→ :Do not change the parameter setting value.
↘ :Decrease the parameter setting value.
- The numbers 1), 2) and 3) in the table show the order of priority for changing the parameters setting value.

CAUTION

Or, if the motor does forward/reverse reciprocation operation (↻), the parameter setting value for the orientation detector installation direction may be incorrect. Review Pr. 393 Orientation selection (refer to page 209) and Pr. 359 Encoder rotation direction (refer to page 208).

● **Pr. 351 Orientation speed (initial value: 2Hz)**

- Set the speed when switching between the speed control mode and the position control mode is performed under orientation operation.
Decreasing the set speed enables stable orientation stop. Note that the orientation time will increase.



REMARKS

When "19" is set in Pr. 52 DU/PU main display data selection, position pulse monitor is displayed instead of PU output voltage monitor.

4.15 Function assignment of external terminal and control

Purpose	Parameter that must be Set		Refer to Page
Assign function to input terminal	Input terminal function selection	Pr. 178 to Pr. 189	219
Set MRS signal (output shutoff) to normally closed contact specification	MRS input selection	Pr. 17	222
Make the second (third) function valid only during constant speed operation	RT reflection time selection	Pr. 155	223
Assign start signal and forward/reverse command to other signals	Start signal (STF/STR) operation selection	Pr. 250	224
Assign function to output terminal	Output terminal function assignment	Pr. 190 to Pr. 196	226
Detect output frequency	Up-to-frequency sensitivity Output frequency detection Low speed detection	Pr. 41 to Pr. 43, Pr. 50, Pr. 116, Pr. 865	233
Detect output current	Output current detection Zero current detection	Pr. 150 to Pr. 153, Pr. 166, Pr. 167	235
Remote output function	Remote output	Pr. 495 to Pr. 497	237
Detect output torque	Output torque detection	Pr. 864	236

4.15.1 Input terminal function selection (Pr. 178 to Pr. 189)

Use these parameters to select/change the input terminal functions.

Parameter Number	Name	Initial Value	Initial Signal	Setting Range
178	STF terminal function selection	60	STF (forward rotation command)	0 to 20, 22 to 28, 37, 42 to 44, 50, 60, 62, 64 to 71, 9999
179	STR terminal function selection	61	STR (reverse rotation command)	0 to 20, 22 to 28, 37, 42 to 44, 50, 61, 62, 64 to 71, 9999
180	RL terminal function selection	0	RL (low-speed operation command)	0 to 20, 22 to 28, 37, 42 to 44, 50, 62, 64 to 71, 9999
181	RM terminal function selection	1	RM (middle-speed operation command)	
182	RH terminal function selection	2	RH (high speed operation command)	
183	RT terminal function selection	3	RT (second function selection)	
184	AU terminal function selection	4	AU (terminal 4 input selection)	
185	AM terminal function selection	5	JOG (Jog operation selection)	0 to 20, 22 to 28, 37, 42 to 44, 50, 62, 64 to 71, 9999
186	CS terminal function selection	6	CS (selection of automatic restart after instantaneous power failure)	
187	MRS terminal function selection	24	MRS (output stop)	
188	STOP terminal function selection	25	STOP (start self-holding selection)	
189	RES terminal function selection	62	RES (inverter reset)	

(1) Input terminal function assignment

- Use Pr. 178 to Pr. 189 to set the functions of the input terminals.
- Refer to the following table and set the parameters:

Setting	Signal Name	Function		Related Parameters	Refer to Page
0	RL	Pr. 59 = 0 (initial value)	Low-speed operation command	Pr. 4 to Pr. 6, Pr. 24 to Pr. 27, Pr. 232 to Pr. 239	158
		Pr. 59 = 1, 2 *1	Remote setting (setting clear)	Pr. 59	162
		Pr. 270 = 1, 3 *2	Stop-on-contact selection 0	Pr. 270, Pr. 275, Pr. 276	202
1	RM	Pr. 59 = 0 (initial value)	Middle-speed operation command	Pr. 4 to Pr. 6, Pr. 24 to Pr. 27, Pr. 232 to Pr. 239	158
		Pr. 59 = 1, 2 *1	Remote setting (deceleration)	Pr. 59	162

Setting	Signal Name	Function		Related Parameters	Refer to Page
2	RH	Pr. 59 = 0 (initial value)	High-speed operation command	Pr. 4 to Pr. 6, Pr. 24 to Pr. 27, Pr. 232 to Pr. 239	158
		Pr. 59 = 1, 2 *1	Remote setting (acceleration)	Pr. 59	162
3	RT	Second function selection		Pr. 44 to Pr. 51, Pr. 450 to Pr. 463, Pr. 569, Pr. 832, Pr. 836, etc.	223
		Pr. 270 = 1, 3 *2	Stop-on-contact selection 1	Pr. 270, Pr. 275, Pr. 276	202
4	AU	Terminal 4 input selection		Pr. 267	271
5	JOG	Jog operation selection		Pr. 15, Pr. 16	160
6	CS	Selection of automatic restart after instantaneous power failure, flying start		Pr. 57, Pr. 58, Pr.162 to Pr.165, Pr. 299, Pr. 611	250
		Commercial power supply-inverter switchover function		Pr. 57, Pr. 58, Pr.135 to Pr.139, Pr. 159	351
7	OH	External thermal relay input *3		Pr. 9	173
8	REX	15 speed selection (combination with three speeds RL, RM, RH)		Pr. 4 to Pr. 6, Pr. 24 to Pr. 27, Pr.232 to Pr.239	158
9	X9	Third function selection		Pr. 110 to Pr. 116	223
10	X10	Inverter operation enable signal (FR-HC, MT-HC, FR-CV connection)		Pr. 30, Pr. 70	195
11	X11	FR-HC or MT-HC connection, instantaneous power failure detection		Pr. 30, Pr. 70	195
12	X12	PU operation external interlock		Pr. 79	295
13	X13	External DC injection brake operation start		Pr. 10 to Pr. 12	191
14	X14	PID control valid terminal		Pr. 127 to Pr. 134, Pr. 575 to Pr. 577	343
15	BRI	Brake opening completion signal		Pr. 278 to Pr. 285	205
16	X16	PU-external operation switchover		Pr. 79, Pr. 340	301
17	X17	Load pattern selection forward/reverse rotation boost		Pr. 14	153
18	X18	V/F switchover (V/F control is exercised when X18 ON)		Pr. 80, Pr. 81, Pr. 800	85, 138
19	X19	Load torque high-speed frequency		Pr. 270 to Pr. 274	356
20	X20	S-shaped acceleration/deceleration C switching terminal		Pr. 380 to Pr. 383	168
22	X22	Orientation command *4, *6		Pr. 350 to Pr. 369	208
23	LX	Pre-excitation/servo on *5		Pr. 850	191
24	MRS	Output stop		Pr. 17	222
		Commercial power supply-inverter switchover function		Pr. 57, Pr. 58, Pr.135 to Pr.139, Pr. 159	351
25	STOP	Start self-holding selection		—	224
26	MC	Control mode changing		Pr. 800	85
27	TL	Torque limit selection		Pr. 815	92
28	X28	Start-time tuning start external input		Pr. 95	188
37	X37	Traverse function selection		Pr. 592 to Pr. 597	364
42	X42	Torque bias selection 1 *6		Pr. 840 to Pr. 845	106
43	X43	Torque bias selection 2 *6		Pr. 840 to Pr. 845	106
44	X44	P/PI control switchover		Pr. 820, Pr. 821, Pr. 830, Pr. 831	97
50	SQ	Sequence start		Pr. 414 to Pr. 417, Pr. 498, Pr. 506 to Pr. 515	341
60	STF	Forward rotation command (assigned to STF terminal (Pr. 178) only)		—	224
61	STR	Reverse rotation command (assigned to STR terminal (Pr. 179) only)		—	224
62	RES	Inverter reset		—	—
63	PTC	PTC thermistor input (assigned to AU terminal (Pr. 184) only)		Pr. 9	173
64	X64	PID forward/reverse action switchover		Pr. 127 to Pr. 134, Pr. 5	343
65	X65	PU-NET operation switchover		Pr. 79, Pr. 340	302
66	X66	External-NET operation switchover		Pr. 79, Pr. 340	302
67	X67	Command source switchover		Pr. 338, Pr. 339	308
68	NP	Conditional position pulse train sign *6		Pr. 291, Pr. 419 to Pr. 430, Pr. 464	127
69	CLR	Conditional position droop pulse clear *6		Pr. 291, Pr. 419 to Pr. 430, Pr. 464	127
70	X70	DC feeding operation permission		Pr. 30, Pr. 70	195
71	X71	DC feeding cancel		Pr. 30, Pr. 70	195
9999	—	No function		—	—

*1 When Pr. 59 Remote function selection = "1 or 2", the functions of the RL, RM and RH signals change as listed above.

*2 When Pr. 270 Stop-on contact/load torque high-speed frequency control selection = "1 or 3", the functions of the RL and RM signals change as listed above.

*3 The OH signal turns on when the relay contact "opens".

*4 The FR-A7AX (16-bit digital input) is needed to externally input a stop position under orientation control.

*5 Servo ON is made valid during position control under vector control operation.

*6 Available only when used with the FR-A7AP (option).

CAUTION

- Changing the terminal assignment using Pr. 178 to Pr. 189 (input terminal function selection) may affect the other functions. Please make setting after confirming the function of each terminal.
- One function can be assigned to two or more terminals. In this case, the terminal inputs are ORed.
- The priorities of the speed commands are in order of jog, multi-speed setting (RH, RM, RL, REX) and PID (X14).
- When the X10 signal (FR-HC, MT-HC, FR-CV connection - inverter operation enable signal) is not set or when the PU operation external interlock (X12) signal is not assigned at the Pr. 79 Operation mode selection setting of "7", the MRS signal shares this function.
- Use common terminals to assign multi-speeds (speed 7) and remote setting. They cannot be set individually. (Common terminals are used since these functions are designed for speed setting and need not be set at the same time.)
- When V/F switching (X18) signal and load pattern selection forward rotation reverse rotation boost (X17) signal are not assigned, the RT signal shares this function. (Pr. 81 Number of motor poles = "12, 14, 16, 18, 20")
In this case, V/F control is controlled by the second function.

(2) Response time of each signal

- The response time of the X10 signal is within 2ms. However, when the X10 signal is not assigned at the Pr. 30 Regenerative function selection setting of "2" (FR-HC, MT-HC/FR-CV connection), the response time of the MRS signal is within 2ms.

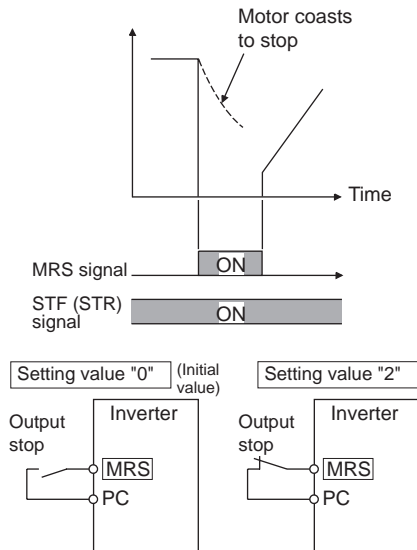
Pr. 17 MRS input selection is made invalid.

Pr. 30 Setting	MRS Assignment	X10 Assignment	Response Time		Pr. 17
			MRS	X10	
2	○	×	Within 2ms	—	Invalid
	×	○	—	Within 2ms	—
	○	○	Within 20ms	Within 2ms	Valid
Other than 2	○	×	Within 20ms	—	Valid
	×	○	—	—	—
	○	○	Within 20ms	—	Valid

4.15.2 Inverter output shutoff signal (MRS signal, Pr. 17)

The inverter output can be shut off from the MRS signal. The logic of the MRS signal can also be selected.

Parameter Number	Name	Initial Value	Setting Range	Description
17	MRS input selection	0	0	Normally open input
			2	Normally closed input (NC contact input specifications)
			4	External terminal: Normally closed input (NC contact input specifications) Communication: Normally open input



(1) Output shutoff signal (terminal MRS)

- Turning on the output shutoff signal (MRS) during inverter running shuts off the output immediately.
- Terminal MRS may be used as described below.
 - When mechanical brake (e.g. electromagnetic brake) is used to stop motor
The inverter output is shut off when the mechanical brake operates.
 - To provide interlock to disable operation by the inverter
With the MRS signal on, the inverter cannot be operated if the start signal is entered into the inverter.
 - Coast the motor to a stop
When the start signal is turned off, the inverter decelerates the motor to a stop in the preset deceleration time, but when the MRS signal is turned on, the motor coasts to a stop

(2) MRS signal logic inversion (Pr. 17 = "2")

- When Pr. 17 is set to "2", the MRS signal (output stop) can be changed to the normally closed (NC contact) input specification. When the MRS signal turns on (opens), the inverter shuts off the output.

(3) Assign a different action for each MRS signal input from communication and external terminal (Pr. 17 = "4")

- When Pr. 17 is set to "4", the MRS signal from external terminal (output stop) can be changed to the normally closed (NC contact) input, and the MRS signal from communication can be changed to the normally open (NO contact) input.
This function is useful to perform operation by communication with MRS signal from external terminal remained on.

External MRS	Communication MRS	Pr. 17 Setting		
		0	2	4
OFF	OFF	Operation enabled	Output shutoff	Output shutoff
OFF	ON	Output shutoff	Output shutoff	Output shutoff
ON	OFF	Output shutoff	Output shutoff	Operation enabled
ON	ON	Output shutoff	Operation enabled	Output shutoff

REMARKS

- The MRS signal is assigned to the terminal MRS in the initial setting. By setting "24" in any of Pr. 178 to Pr. 189 (input terminal function selection), the MRS signal can be assigned to the other terminal.
- The MRS signal can shut off the output, independently of the PU, external or network operation mode.

CAUTION

- Changing the terminal assignment using Pr. 178 to Pr. 189 (input terminal function selection) may affect the other functions. Please make setting after confirming the function of each terminal.

◆ Parameters referred to ◆

Pr. 178 to Pr. 189 (Input terminal function selection) Refer to page 219

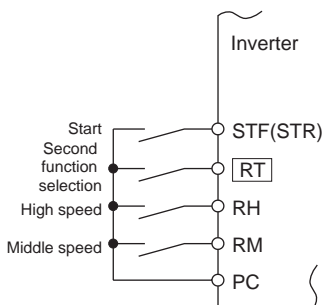
4.15.3 Condition selection of function validity by the second function selection signal (RT) and third function selection signal (X9) (RT signal, X9 signal, Pr. 155)

You can select the second (third) function using the RT(X9) signal.
 You can also set the condition (reflection condition) where the second function and third function become valid.

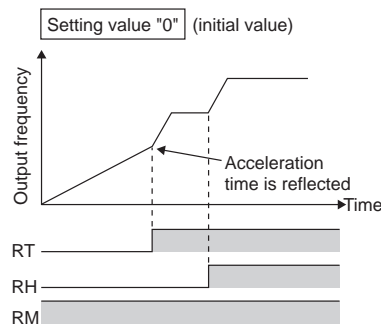
Parameter Number	Name	Initial Value	Setting Range	Description
155	RT signal function validity condition selection	0	0	Second (third) function is immediately made valid with on of the RT(X9) signal.
			10	Second (third) function is valid only during the RT (X9) signal is on and constant speed operation. (invalid during acceleration/deceleration)

- When the RT signal turns on, the second function becomes valid.
- When the X9 signal turns on, the third function becomes valid.
- For the X9 signal, set "9" in any of Pr. 178 to Pr. 189 (input terminal function selection) to assign the function.
- The second (third) function has the following applications.
 - Switching between normal use and emergency use
 - Switching between heavy load and light load
 - Changing of acceleration/deceleration time by broken line acceleration/deceleration
 - Switching of characteristic between main motor and sub motor

Second function connection diagram



Second acceleration/deceleration time example



- Functions that can be set as second and third functions

Function	First Function Parameter Number	Second Function Parameter Number	Third Function Parameter Number	Referto Page
Torque boost	Pr. 0	Pr. 46	Pr. 112	136
Base frequency	Pr. 3	Pr. 47	Pr. 113	151
Acceleration time	Pr. 7	Pr. 44	Pr. 110	165
Deceleration time	Pr. 8	Pr. 44, Pr. 45	Pr. 110, Pr. 111	165
Electronic thermal relay function	Pr. 9	Pr. 51	—	173
Stall prevention	Pr. 22	Pr. 48, Pr. 49	Pr. 114, Pr. 115	142
Applied motor	Pr. 71	Pr. 450	—	176
Motor constant	Pr. 80 to Pr. 84, Pr. 89, Pr. 90 to Pr. 94, Pr. 96, Pr. 859	Pr. 453 to Pr. 457, Pr. 569, Pr. 458 to Pr. 462, Pr. 463, Pr. 860	—	178
Online auto tuning selection	Pr. 95	Pr. 574	—	188
Motor control method	Pr. 800	Pr. 451	—	85
Speed control gain	Pr. 820, Pr. 821	Pr. 830, Pr. 831	—	97
Analog input filter	Pr. 822, Pr. 826	Pr. 832, Pr. 836	—	276
Speed detection filter	Pr. 823	Pr. 833	—	134
Torque control gain	Pr. 824, Pr. 825	Pr. 834, Pr. 835	—	120
Torque detection filter	Pr. 827	Pr. 837	—	134

REMARKS

- The RT signal is assigned to the RT terminal in the initial setting. By setting "3" in any of Pr. 178 to Pr. 189 (input terminal function selection), the RT signal can be assigned to the other terminal.

CAUTION

- When the RT (X9) signal is on, the other functions such as the second (third) are also selected.
- Changing the terminal assignment using Pr. 178 to Pr. 189 (input terminal function selection) may affect the other functions. Please make setting after confirming the function of each terminal.

◆ Parameters referred to ◆

Pr. 178 to Pr.189 (input terminal function selection) Refer to page 219

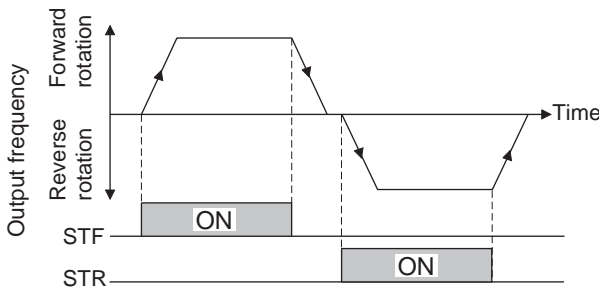
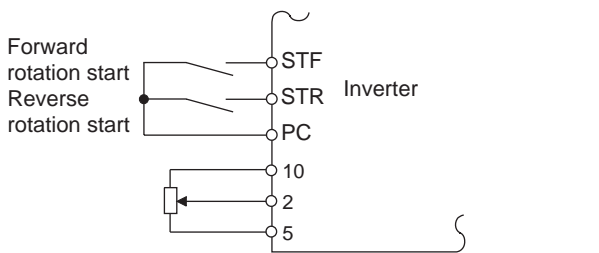
4.15.4 Start signal selection (terminal STF, STR, STOP, Pr. 250)

You can select the operation of the start signal (STF/STR).
 Used to select the stopping method (deceleration to a stop or coasting) when the start signal turns off.
 Used to stop the motor with a mechanical brake, etc. together with switching off of the start signal.
 (Refer to page 201 for stop selection)

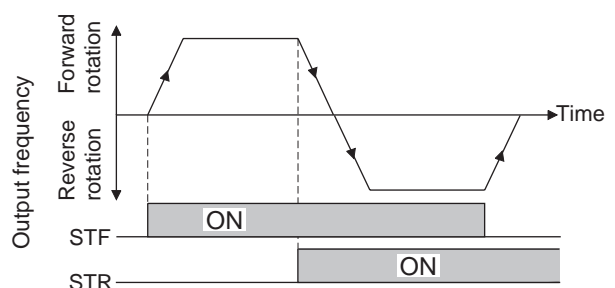
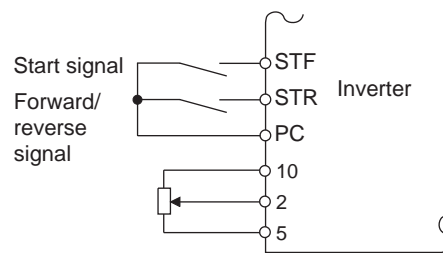
Parameter Number	Name	Initial Value	Setting Range	Description	
				Start signal (STF/STR)	Stop operation (Refer to page 201)
250	Stop selection	9999	0 to 100s	STF signal: Forward rotation start STR signal: Reverse rotation start	The motor is coasted to a stop when the preset time elapses after the start signal is turned off. When the setting is any of 1000s to 1100s, the inverter coasts to a stop in (Pr. 250 - 1000)s.
			1000s to 1100s	STF signal: Start signal STR signal: Forward/reverse rotation signal	
			9999	STF signal: Forward rotation start STR signal: Reverse rotation start	When the start signal is turned off, the motor decelerates to stop.
			8888	STF signal: Start signal STR signal: Forward/reverse rotation signal	

(1) 2-wire type (terminal STF, STR)

- A two-wire type connection is shown below.
- In the initial setting, the forward/reverse rotation signals (STF/STR) are used as start and stop signals. Turn on either of the forward and reverse rotation signals to start the motor in the corresponding direction. If both are turned off (or on) during operation, the inverter decelerates to a stop.
- The speed setting signal may either be given by entering 0 to 10VDC across the speed setting input terminal 2-5, by setting the required values in Pr. 4 to Pr. 6 Multi-speed setting (high, middle, low speeds), etc. (For multi-speed operation, refer to page 158)
- When Pr. 250 is set to any of "1000 to 1100, 8888", the STF signal becomes a start command and the STR signal a forward/reverse command.



2-wire connection example (Pr. 250 = "9999")



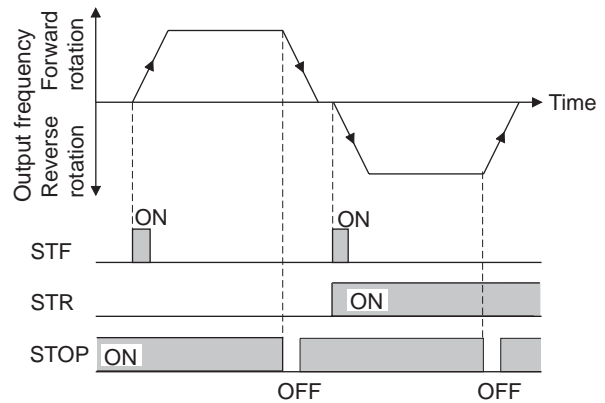
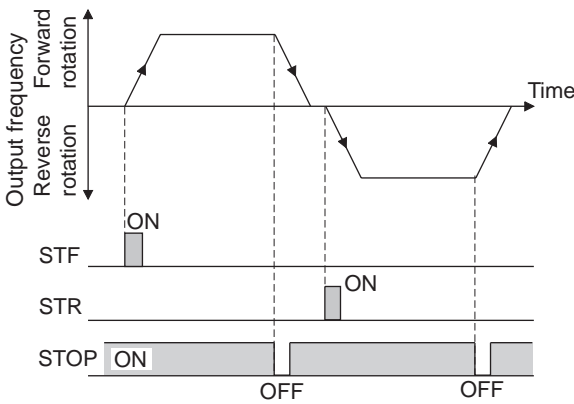
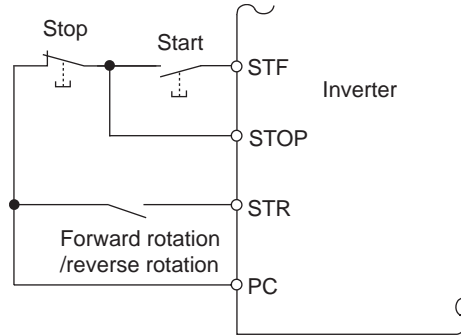
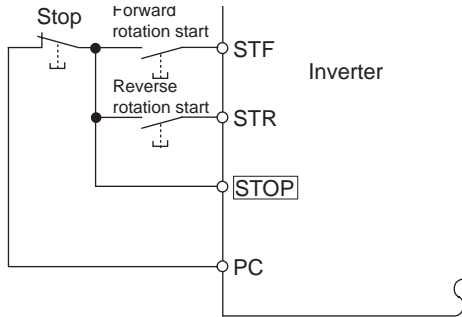
2-wire connection example (Pr. 250 = "8888")

REMARKS

- When Pr. 250 is set to any of "0 to 100, 1000 to 1100", the motor coasts to a stop if the start command is turned off. (Refer to page 201)
- The STF and STR signals are assigned to the STF and STR terminals in the initial setting. The STF signal can be assigned to Pr. 178 STF terminal function selection and the STR signal to Pr. 179 STR terminal function selection only.

(2) 3-wire type (terminal STF, STR, STOP)

- A three-wire type connection is shown below.
- The start self-holding selection becomes valid when the STOP signal is turned on. In this case, the forward/reverse rotation signal functions only as a start signal.
- If the start signal (STF or STR) is turned on and then off, the start signal is held and makes a start. When changing the direction of rotation, turn STR (STF) on once and then off.
- To stop the inverter, turning off the STOP signal once decelerates it to a stop.



Three-Wire Type Connection Example (Pr. 250 = "9999")

Three-Wire Type Connection Example (Pr. 250 = "8888")

REMARKS

- The STOP signal is assigned to the terminal STOP in the initial setting. By setting "25" in Pr. 178 to Pr. 189, the STOP signal can also be assigned to the other terminal.
- When the JOG signal is turned on to enable jog operation, the STOP signal becomes invalid.
- If the MRS signal is turned on to stop the output, the self-holding function is not canceled.

(3) Start signal selection

STF	STR	Pr. 250 Setting Inverter Status	
		0 to 100s, 9999	1000s to 1100s, 8888
OFF	OFF	Stop	Stop
OFF	ON	Reverse rotation	
ON	OFF	Forward rotation	Forward rotation
ON	ON	Stop	Reverse rotation

◆ Parameters referred to ◆

Pr. 4 to Pr. 6 (Multi-speed setting) Refer to page 158
 Pr. 178 to Pr. 189 (Input terminal function selection) Refer to page 219

4.15.5 Output terminal function selection (Pr. 190 to Pr. 196)

You can change the functions of the open collector output terminal and relay output terminal.

Parameter Number	Name	Initial Value	Initial Signal	Setting Range
190	RUN terminal function selection	0	RUN (inverter running)	0 to 8, 10 to 20, 25 to 28, 30 to 36, 39, 41 to 47, 64, 70, 84, 85, 90 to 99, 100 to 108, 110 to 116, 120, 125 to 128, 130 to 136, 139, 141 to 147, 164, 170, 184, 185, 190 to 199, 9999
191	SU terminal function selection	1	SU (up to frequency)	
192	IPF terminal function selection	2	IPF (instantaneous power failure, undervoltage)	
193	OL terminal function selection	3	OL (overload alarm)	
194	FU terminal function selection	4	FU (output frequency detection)	
195	ABC1 terminal function selection	99	ALM (alarm output)	0 to 8, 10 to 20, 25 to 28, 30 to 36, 39, 41 to 47, 64, 70, 84, 85, 90, 91, 94 to 99, 100 to 108, 110 to 116, 120, 125 to 128, 130 to 136, 139, 141 to 147, 164, 170, 184, 185, 190, 191, 194 to 199, 9999
196	ABC2 terminal function selection	9999	No function	


(1) Output signal list

- You can set the functions of the output terminals.
- Refer to the following table and set the parameters: (0 to 99: Positive logic, 100 to 199: Negative logic)

Setting		Signal Name	Function	Operation	Related Parameters	Refer to Page
Positive Logic	Negative Logic					
0	100	RUN	Inverter running	Output during operation when the inverter output frequency rises to or above <i>Pr. 13 Starting frequency</i> .	—	229
1	101	SU	Up to frequency *1	Output when the output frequency is reached to the set frequency. *3	Pr. 41	233
2	102	IPF	Instantaneous power failure/undervoltage	Output at occurrence of an instantaneous power failure or when undervoltage protection is activated.	Pr. 57	250
3	103	OL	Overload alarm	Output while stall prevention function is activated.	Pr. 22, Pr. 23, Pr. 66, Pr. 148, Pr. 149, Pr. 154	142
4	104	FU	Output frequency detection	Output when the output frequency reaches the frequency set in <i>Pr. 42 (Pr. 43 for reverse rotation)</i> . *3	Pr. 42, Pr. 43	233
5	105	FU2	Second output frequency detection	Output when the output frequency reaches the frequency set in <i>Pr. 50</i> . *3	Pr. 50	233
6	106	FU3	Third output frequency detection	Output when the output frequency reaches the frequency set in <i>Pr. 116</i> . *3	Pr. 116	233
7	107	RBP	Regenerative brake prealarm	Output when 85% of the regenerative brake duty set in <i>Pr. 70</i> is reached.	Pr. 70	195
8	108	THP	Electronic thermal relay function prealarm	Output when the electronic thermal relay function cumulative value reaches 85%. (Electronic thermal relay function protection (E.THT/E.THM) activates, when the value reached 100%.)	Pr. 9	174
10	110	PU	PU operation mode	Output when the PU operation mode is selected.	Pr. 79	295
11	111	RY	Inverter operation ready	Output when the inverter power is turned on, then output after reset process is completed (when the inverter can be started by switching the start signal on or while it is running).	—	229
12	112	Y12	Output current detection	Output when the output current is higher than the <i>Pr. 150</i> setting for longer than the time set in <i>Pr. 151</i> .	Pr. 150, Pr. 151	235
13	113	Y13	Zero current detection	Output when the output power is lower than the <i>Pr. 152</i> setting for longer than the time set in <i>Pr. 153</i> .	Pr. 152, Pr. 153	235

Setting		Signal Name	Function	Operation	Related Parameters	Refer to Page
Positive Logic	Negative Logic					
14	114	FND	PID lower limit	Output when the feedback value falls below the lower limit of PID control.	Pr. 127 to Pr. 134, Pr. 575 to Pr. 577	343
15	115	FUP	PID upper limit	Output when the feedback value rises above the upper limit of PID control.		
16	116	RL	PID forward/reverse rotation output	Output when forward rotation is performed in PID control.		
17	—	MC1	Electronic bypass MC1	Used when the commercial power supply-inverter switchover function is used.	Pr. 135 to Pr. 139, Pr. 159	351
18	—	MC2	Electronic bypass MC2			
19	—	MC3	Electronic bypass MC3			
20	120	BOF	Brake opening request	Output to open the brake when the brake sequence function is selected.	Pr. 278 to Pr. 285, Pr. 292	205
25	125	FAN	Fan fault output	Output at the time of a fan fault.	Pr. 244	368
26	126	FIN	Heatsink overheat pre-alarm	Output when the heatsink temperature reaches about 85% of the heatsink overheat protection providing temperature.	—	393
27	127	ORA	Orientation in-position	When orientation is valid *4	Pr. 350 to Pr. 366, Pr. 369, Pr. 393, Pr. 396 to Pr. 399	208
28	128	ORM	Orientation error			
30	130	Y30	Forward rotation output	Output when the motor is running in forward direction. *4	—	231
31	131	Y31	Reverse rotation output	Output when the motor is running in reverse direction. *4		231
32	132	Y32	Regenerative status output	Output in the regenerative status under vector control operation. *4		231
33	133	RY2	Operation ready 2	Output during pre-excitation or operation under real sensorless vector control.	—	229
34	134	LS	Low speed output	Output when the output frequency reduces below the Pr. 865 setting.	Pr. 865	233
35	135	TU	Torque detection	Output when the motor torque rises above the Pr. 864 value.	Pr. 864	236
36	136	Y36	In-position	Output when the number of droop pulses has fallen below the setting value.	Pr. 426	130
39	139	Y39	Start time tuning completion	Output on completion of start-time tuning.	Pr. 95, Pr. 574	188
41	141	FB	Speed detection	Output when the actual motor speed (estimated actual speed value) reaches the Pr. 42 (Pr. 50, Pr.116) setting.	Pr. 42, Pr. 50, Pr. 116	233
42	142	FB2	Second speed detection			
43	143	FB3	Third speed detection			
44	144	RUN2	Inverter running	<ul style="list-style-type: none"> · Output during forward rotation or the reverse rotation signal is ON. · Output at deceleration even during forward rotation or the reverse rotation signal is OFF. (Does not output during pre-excitation LX is ON.) · Output during the orientation command signal (X22) is ON. · Switched ON when the servo is ON (LX-ON) under position control. (Switched OFF when the servo is OFF (LX-OFF)) 	—	229
45	145	RUN3	Inverter running and start command is on	Output when the inverter running and start commands are on.	—	229
46	146	Y46	During deceleration at occurrence of power failure (retained until release)	Output when the power failure-time deceleration function is executed.	Pr. 261 to Pr. 266	254
47	147	PID	During PID control activated	Output during PID control.	Pr. 127 to Pr. 134, Pr. 575 to Pr. 577	343
64	164	Y64	During retry	Output during retry processing.	Pr. 65 to Pr. 69	257
70	170	SLEEP	PID output interruption	Output when the PID output interruption function is executed.	Pr. 127 to Pr. 134, Pr. 575 to Pr. 577	343
84	184	RDY	Position control preparation ready	Signal is output when the servo is on (LX-ON) and ready to operate.	Pr. 419, Pr. 428 to Pr. 430	127
85	185	Y85	DC feeding	This signal turns on during power failure or under voltage of AC power.	Pr. 30, Pr. 70	195

Setting		Signal Name	Function	Operation	Related Parameters	Refer to Page
Positive Logic	Negative Logic					
90	190	Y90	Life alarm	Output when any of the control circuit capacitor, main circuit capacitor and inrush current limit circuit or the cooling fan approaches the end of its service life.	Pr. 255 to Pr. 259	369
91	191	Y91	Alarm output 3 (power-off signal)	Output when an error occurs due to the circuit failure or connection alarm of the inverter.	—	232
92	192	Y92	Energy saving average value updated timing	Turned on and off alternately every time the power saving average value is updated when the power saving monitor is used. Cannot be set to <i>Pr. 195</i> and <i>Pr. 196</i> (relay output terminal).	Pr. 52, Pr. 54, Pr. 158, Pr. 891 to Pr. 899	263
93	193	Y93	Current average value monitor signal	Average current value and maintenance timer value are output as pulses. Cannot be set to <i>Pr. 195</i> and <i>Pr. 196</i> (relay output terminal).	Pr. 555 to Pr. 557	372
94	194	ALM2	Alarm output 2	Output when the inverter protective function is activated to stop the output (major fault). Continue outputting the signal during inverter reset and stop outputting after reset is cancelled. *2	—	232
95	195	Y95	Maintenance timer signal	Output when <i>Pr. 503</i> rises to or above the <i>Pr. 504</i> setting.	Pr. 503, Pr. 504	371
96	196	REM	Remote output	Output to the terminal when a value is set to the parameter.	Pr. 495 to Pr. 497	237
97	197	ER	Minor fault output 2	Output when the inverter protective function is activated to stop the output (major fault)	Pr. 875	261
98	198	LF	Minor fault output	Output when a minor fault (fan failure or communication error warning) occurs.	Pr. 121, Pr. 244	314, 368
99	199	ALM	Alarm output	Output when the inverter protective function is activated to stop the output (major fault). The signal output is stopped when a reset turns on.	—	232
9999	—	—	No function	—	—	—

- *1 Note that when the frequency setting is varied using an analog signal or  of the operation panel (FR-DU07), the output of the SU (up to frequency) signal may alternate on and off depending on that varying speed and the timing of the varying speed due to acceleration/deceleration time setting. (The output will not alternate on and off when the acceleration/deceleration time setting is "0s".)
- *2 When a power supply reset is performed, the alarm output 2 signal (ALM2) turns off as soon as the power supply switches off.
- *3 Up to frequency SU, frequency detection FU, FU2, FU3 under encoder feed back control or vector control (option FR-A7AP is mounted) signals are as below.
 SU, FU: Output when the actual speed (frequency) by the encoder feedback signal exceeds detected specification frequency.
 FU2, FU3: Output when the inverter output frequency exceeds detected specification frequency.
- *4 This parameter is valid when the FR-A7AP (option) is mounted.

REMARKS

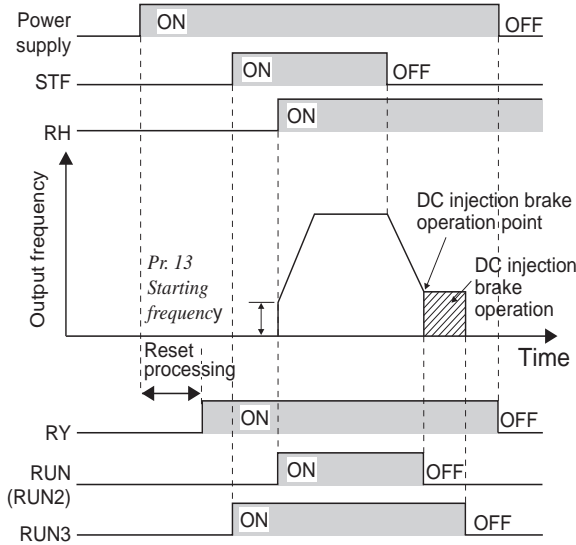
- The same function may be set to more than one terminal.
- When the function is executed, the terminal conducts at the setting of any of "0" to "99", and does not conduct at the setting of any of "100" to "199".
- The signal will not function if a value other than the above is set to any of *Pr. 190* to *Pr. 196*.
- When *Pr. 76 Alarm code output selection* = "1", the output signals of the terminals SU, IPF, OL and FU are switched as set in *Pr. 76*. (When an inverter alarm occurs, the signal output is switched to the alarm output.)
- The output assignment of the terminal RUN and alarm output relay are as set above regardless of *Pr. 76*.

CAUTION

- When terminal assignment is changed using *Pr. 190* to *Pr. 196* (*output terminal function selection*), the other functions may be affected. Please make setting after confirming the function of each terminal.
- Do not assign signals which repeat frequent ON/OFF to A1, B1, C1, A2, B2, C2. Otherwise, the life of the relay contact decreases.

(2) Inverter operation ready signal (RY, RY2 signal) and inverter running signal (RUN, RUN2, RUN3 signal)

Under V/F control, advanced magnetic flux vector control

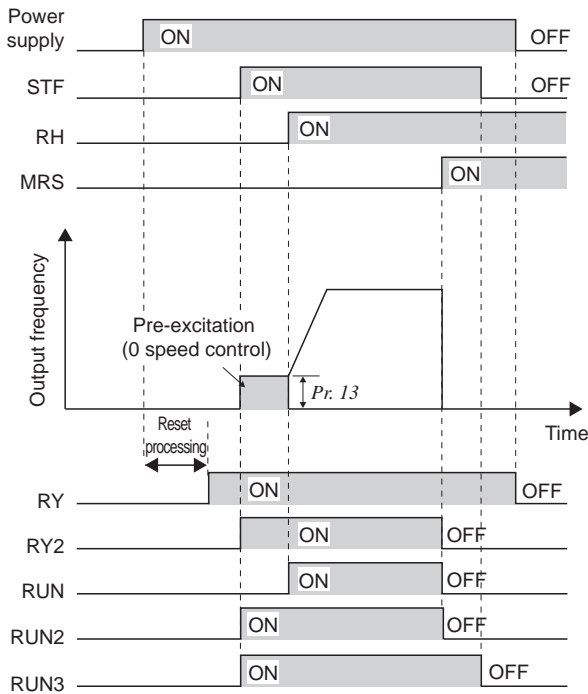


- When the inverter is ready to operate, the output of the operation ready signal (RY) is on. (It is also on during inverter running.)
- When the output frequency of the inverter rises to or above *Pr. 13 Starting frequency*, the output of the inverter running signals (RUN, RUN2) is turned on. During an inverter stop or DC injection brake operation, the output is off.
- For the RUN3 signal, output is on while the inverter running and the start signal is on. (For the RUN3 signal, output is on if the starting command is on even when the inverter protective function is activated or the MRS signal is on.)
- The output is on during DC injection brake operation and off during an inverter stop.

Inverter Status \ Output Signal	Start Signal is OFF (during stop)	Start Signal is ON (during stop)	Start Signal is ON (during running)	Under DC Injection Brake	At Alarm Occurrence or MRS Signal is on (output shutoff)		Automatic Restart after Instantaneous Power Failure		
					Start signal is ON	Start signal is OFF	Coasting		Restarting
							Start signal is ON	Start signal is OFF	
RY	ON	ON	ON	ON	OFF	OFF	ON *1	ON	ON
RY2	OFF	OFF	OFF	OFF	OFF	OFF	OFF	OFF	OFF
RUN	OFF	OFF	ON	OFF	OFF	OFF	OFF	OFF	ON
RUN2	OFF	OFF	ON	OFF	OFF	OFF	OFF	OFF	ON
RUN3	OFF	ON	ON	ON	ON	OFF	ON	OFF	ON

*1 This signal turns off during power failure or undervoltage.

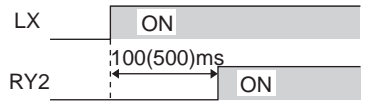
Under real sensor less vector control, vector control



- When the inverter is ready to operate, the output of the operation ready signal (RY) is on. (It is also on during inverter running.)
- When the inverter output frequency rises to or above the *Pr. 13 Starting frequency* setting, the output of the inverter running signal (RUN) is turned on. During an inverter stop, DC injection brake operation, start time tuning or pre-excitation, the output is off.
- For the RUN2 signal, the output is on while the inverter is running and the start signal is on. (For the RUN2 signal, the output is off when the inverter protective function is activated and the MRS signal is on.)
- For the RUN3 signal, the output is on while the inverter is running and the start signal is on.
- The RUN2 and RUN3 signals are on when the start command is on and even during pre-excitation with "0" set in speed command. (Note that the RUN2 signal turns off during pre-excitation by turning the LX signal on.)
- The RY2 signal turns on at the start of pre-excitation. The signal is on while pre-excitation is activated even during an inverter stop. The signal turns off while the output is shut off (MRS signal).

REMARKS

For pre-excitation by pre-excitation signal (LX), the RY2 signal turns on when 100ms has elapsed after LX signal turn on (500ms for the 02160 or more).



Inverter Status / Output Signal	Start Signal is OFF (during stop)	Start Signal is ON *1 (pre-excitation)	Start Signal is ON (during running)	LX Signal is ON (pre-excitation)	DC Injection Brake Operation (pre-excitation)	At Alarm Occurrence or MRS Signal is on (output shutoff)		Automatic Restart after Instantaneous Power Failure		
						Start signal is ON	Start signal is OFF	Coasting		Restarting
								Start signal is ON	Start signal is OFF	
RY	ON	ON	ON	ON	ON	OFF	ON *2	ON	ON	
RY2	OFF	ON	ON	ON *3	ON	OFF	OFF	OFF	OFF	
RUN	OFF	OFF	ON	OFF	OFF	OFF	OFF	OFF	ON	
RUN2	OFF	ON	ON	OFF *4	OFF	OFF	OFF	OFF	ON	
RUN3	OFF	ON	ON	ON	ON	ON	OFF	ON	OFF	ON

*1 Pre-excitation is made when the start signal is ON and frequency command is 0Hz.
 *2 This signal turns OFF during power failure or undervoltage.
 *3 There is a delay of 100ms (500ms for the 02160 or more) when the signal is ON.
 *4 This signal turns ON during servo ON (LX signal is ON) under position control.

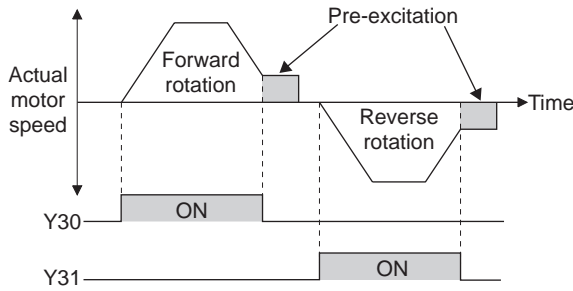
Output Signal	<i>Pr. 190 to Pr. 196 Setting</i>	
	Positive logic	Negative logic
RY	11	111
RY2	33	133
RUN	0	100
RUN2	44	144
RUN3	45	145

- When using the RY, RY2, RUN, RUN2 and RUN3 signals, assign functions to *Pr. 190 to Pr. 196 (output terminal selection function)* referring to the table on the left.

REMARKS

· The RUN signal is assigned to the terminal RUN in the initial setting.

(3) Forward rotation and reverse rotation signal (Y30, Y31 signal)

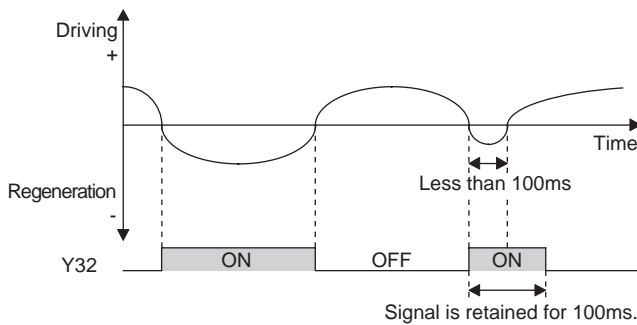


- The status during forward rotation (Y30) and reverse rotation (Y31) are output from the actual motor speed under vector control.
- Y30 and Y31 signals turn off during pre-excitation (zero speed, servo lock) under speed control or torque control operation. Note that signals are output according to the motor rotation during servo lock under position control as same as inverter running.
- When using the Y30 signal, set "30 (positive logic) or 130 (negative logic)" to any of Pr. 190 to Pr. 196 (output terminal function selection) to assign the function to the output terminal.
When using the Y31 signal, set "31 (positive logic) or 131 (negative logic)" to any of Pr. 190 to Pr. 196 (output terminal function selection) to assign the function to the output terminal.

REMARKS

- This signal is always off during V/F control, advanced magnetic flux vector control or real sensorless vector control.
- If the motor is made to run by external force, etc. during an inverter stop, Y30 and Y31 remain OFF.
- The FR-A7AP (option) is necessary for vector control.

(4) Regenerative mode output signal (Y32 signal)

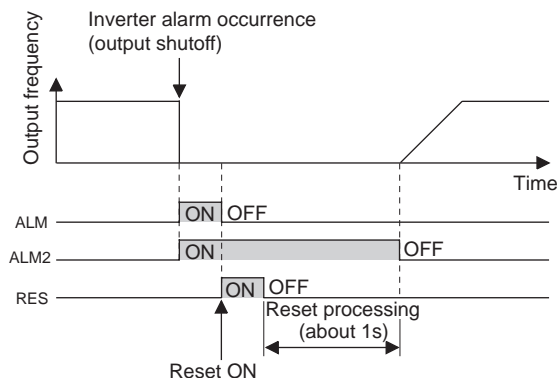


- While the motor is in regenerative status (motor is in power regenerative status), the regenerative status output signal (Y32) is turned on. If the signal is turned on once, it will be retained for at least 100ms.
- It turns off while the inverter is stopped and during pre-excitation.
- When using the Y32 signal, set "32 (positive logic) or 132 (negative logic)" to any of Pr. 190 to Pr. 196 (output terminal function selection) to assign the function to the output terminal.

REMARKS

- This signal is always off during V/F control, advanced magnetic flux vector control or real sensorless vector control.
- The FR-A7AP (option) is necessary for vector control.

(5) Alarm output signal (ALM, ALM2 signal)



- If the inverter comes to an alarm stop, the ALM and ALM2 signals are output.
- The ALM2 signal remains on during a reset period after alarm occurrence.
- When using the ALM2 signal, set "94 (positive logic)" or "194 (negative logic)" to any of Pr. 190 to Pr. 196 (output terminal function selection) to assign the function to the output terminal.
- The ALM signal is assigned to the A1B1C1 contact in the initial setting.

REMARKS

Refer to page 388 for the inverter alarm description.

(6) Input MC shutoff signal (Y91 signal)

- The Y91 signal is output at occurrence of an alarm attributable to the failure of the inverter circuit or an alarm caused by a wiring mistake.
- When using the Y91 signal, set "91 (positive logic)" or "191 (negative logic)" to any of Pr. 190 to Pr. 196 (output terminal function selection) to assign the function to the output terminal.
- The following table indicates the alarms that will output the Y91 signal. (Refer to page 388 for the alarm description.)

No.	Alarm Description
1	Inrush current limit circuit alarm (E.IOH)
2	CPU error (E.CPU)
3	CPU error (E.6)
4	CPU error (E.7)
5	Parameter storage device alarm (E.PE)
6	Parameter storage device alarm (E.PE2)
7	24VDC power output short circuit (E.P24)
8	Operation panel power supply short circuit, RS-485 terminal power supply short circuit(E.CTE)
9	Output side earth(ground) fault overcurrent protection(E.GF)
10	Output phase failure (E.LF)
11	Brake transistor alarm detection (E.BE)

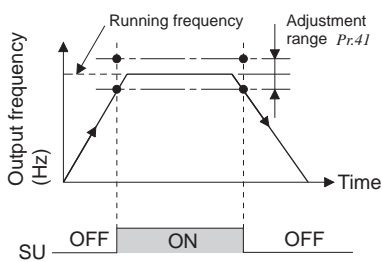
◆ Parameters referred to ◆

- Pr. 13 Starting frequency Refer to page 167 .
- Pr. 76 Alarm code output selection Refer to page 259

4.15.6 Detection of output frequency (SU, FU, FU2, FU3, FB, FB2, FB3, LS signal, Pr. 41 to Pr. 43, Pr. 50, Pr. 116, Pr. 865)

The inverter output frequency is detected and output to the output signal.

Parameter Number	Name	Initial Value	Setting Range	Description
41	Up-to-frequency sensitivity	10%	0 to 100%	Set the level where the SU signal turns on.
42	Output frequency detection	6Hz	0 to 400Hz	Set the frequency where the FU (FB) signal turns on.
43	Output frequency detection for reverse rotation	9999	0 to 400Hz	Set the frequency where the FU (FB) signal turns on in reverse rotation.
			9999	Same as Pr. 42 setting
50	Second output frequency detection	30Hz	0 to 400Hz	Set the frequency where the FU2 (FB2) signal turns on.
116	Third output frequency detection	50Hz	0 to 400Hz	Set the frequency where the FU3 (FB3) signal turns on.
865	Low speed detection	1.5Hz	0 to 400Hz	Set the frequency where the LS signal turns on.

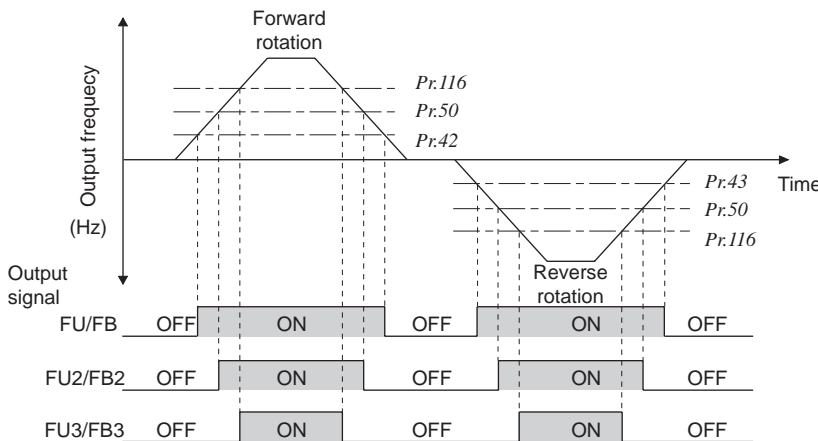


(1) Up-to-frequency sensitivity (SU signal, Pr. 41)

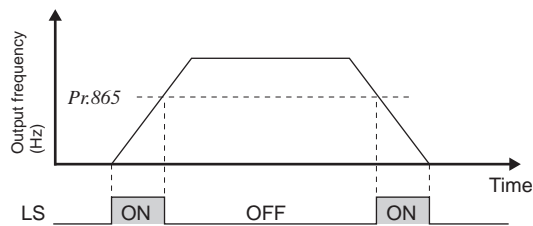
- When the output frequency reaches the running frequency, the up-to-frequency signal (SU) is output.
- The Pr. 41 value can be adjusted within the range $\pm 1\%$ to $\pm 100\%$ on the assumption that the set frequency is 100%.
- This parameter can be used to ensure that the running frequency has been reached to provide the operation start signal etc. for related equipment.

(2) Output frequency detection (FU (FB) signal, FU2 (FB2) signal, FU3 (FB3) signal, Pr. 42, Pr. 43, Pr. 50, Pr. 116)

- When the output frequency rises to or above the Pr. 42 setting, the output frequency detection signal (FU, FB) is output.
- This function can be used for electromagnetic brake operation, open signal, etc.
- The FU (FU2, FU3) signal is output when the output frequency reaches the set frequency. While the FB (FB2, FB3) signal is output when the actual rotation detection speed (during real sensorless vector control : speed estimated value, during vector control : feedback value) of the motor reaches the set frequency. The FU signal and FB signal are output simultaneously during V/F control and advanced magnetic flux vector control.
- When the detection frequency is set in Pr. 43, frequency detection used exclusively for reverse rotation can also be set. This function is effective for switching the timing of electromagnetic brake operation between forward rotation (rise) and reverse rotation (fall) during elevator operation, etc.
- When Pr. 43 \neq "9999", the Pr. 42 setting applies to forward rotation and the Pr. 43 setting applies to reverse rotation.
- When outputting a frequency detection signal besides the FU signal, set the detection frequency in Pr. 50 or Pr. 116. The FU2 (FB2) signal (FU3 (FB3) signal if Pr. 116 or more) is output when the output frequency reaches or exceeds the Pr. 50 setting.
- For each signal, assign functions to Pr. 190 to Pr. 196 (output terminal function selection) referring to the table below.



Parameter Number	Output Signal	Pr. 190 to Pr. 196 Setting	
		Positive logic	Negative logic
42, 43	FU	4	104
	FB	41	141
50	FU2	5	105
	FB2	42	142
116	FU3	6	106
	FB3	43	143



(3) Low speed detection (LS signal, Pr. 865)

- The low speed detection signal (LS) is output when the output frequency reduces below the Pr. 865 Low speed detection setting.
- When speed control is performed by real sensorless vector control or vector control, an alarm (E.OLT) is displayed and the inverter output is stopped if frequency drops to the Pr. 865 setting by torque limit operation and the output torque exceeds Pr. 874 OLT level setting and remains for more than 3s.
- For the LS signal, set "34 (positive logic) or 134 (negative logic)" in Pr. 190 to Pr. 196 (output terminal function selection) and assign functions to the output terminal.

REMARKS

- The FU signal is assigned to the terminal FU and the SU signal is assigned to the terminal SU in the initial setting.
- All signals are OFF during DC injection brake, pre-excitation (zero speed control, servo lock), or start time tuning.
- The output frequency to be compared with the set frequency at the SU signal and LS signal differs according to the control method.

Control Method	Compared Output Frequency
V/F control	Output frequency
Advanced magnetic flux vector control	Output frequency before slip compensation
Real sensorless vector control	Frequency (actual motor speed) estimated value
Encoder feedback control, vector control	Value of actual motor rotation represented in terms of frequency setting

CAUTION

- When terminal assignment is changed using Pr. 190 to Pr. 196 (output terminal function selection), the other functions may be affected. Please make setting after confirming the function of each terminal.

◆ Parameters referred to ◆

Pr. 190 to Pr. 196 (output terminal function selection) Refer to page 226
 Pr. 874 OLT level setting Refer to page 92

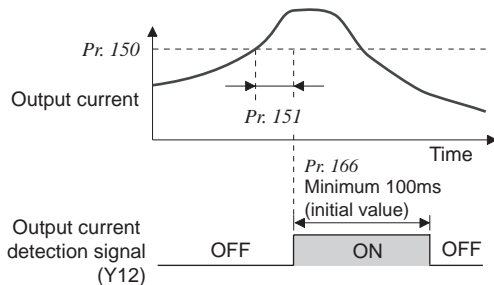
4.15.7 Output current detection function (Y12 signal, Y13 signal, Pr. 150 to Pr. 153, Pr. 166, Pr. 167)

The output power during inverter running can be detected and output to the output terminal.

Parameter Number	Name	Initial Value	Setting Range	Description
150	Output current detection level	150%*	0 to 220%*	Set the output current detection level. 100% is the rated inverter current.
151	Output current detection signal delay time	0s	0 to 10s	Set the output current detection period. Set the time from when the output current has risen above the setting until the output current detection signal (Y12) is output.
152	Zero current detection level	5%	0 to 220% *	Set the zero current detection level. The rated inverter current is assumed to be 100%.
153	Zero current detection time	0.5s	0 to 1s	Set this parameter to define the period from when the output current drops below the Pr. 152 value until the zero current detection signal (Y13) is output.
166	Output current detection signal retention time	0.1s	0 to 10s	Set the retention time when the Y12 signal is on.
			9999	The Y12 signal on status is retained. The signal is turned off at the next start.
167	Output current detection operation selection	0	0	Operation continues when the Y12 signal is on
			1	The inverter is brought to an alarm stop when the Y12 signal is on. (E.CDO)

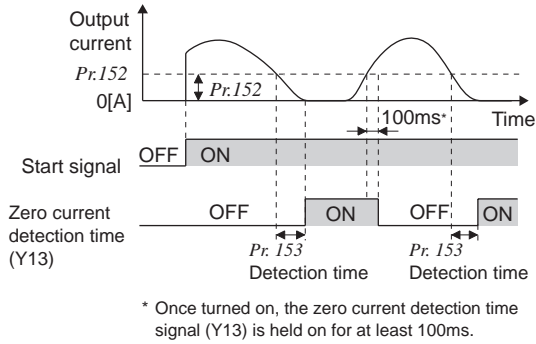
* When Pr. 570 Multiple rating setting ≠ "2", performing all parameter clear and inverter reset changes the initial value and setting range. (Refer to page 147.)

Pr. 166 ≠ 9999, Pr. 167 = 0



(1) Output current detection (Y12 signal, Pr. 150, Pr. 151, Pr. 166, Pr. 167)

- The output current detection function can be used for excessive torque detection, etc.
- If the output current remains higher than the Pr. 150 setting during inverter operation for longer than the time set in Pr. 151, the output current detection signal (Y12) is output from the inverter's open collector or relay output terminal.
- When the Y12 signal turns on, the ON state is held for the time set in Pr. 166 .
- When Pr. 166 = "9999", the ON state is held until a next start.
- At the Pr. 167 setting of "1", the inverter output is stopped and the output current detection alarm (E.CDO) is displayed when the Y12 signal turns on. When an alarm stop occurs, the Y12 signal is on for the time set in Pr. 166 at the Pr. 166 setting of other than 9999, and remains on until a reset is made at the Pr. 166 setting of 9999. E.CDO does not occur even if "1" is set in Pr. 167 while Y12 is ON. The Pr. 167 setting is made valid after Y12 turns OFF.
- Set "12 (positive logic)" or "112 (negative logic)" to any of Pr. 190 to Pr. 196 (output terminal function selection) to assign the function of the Y12 signal to the output terminal.



(2) Zero current detection (Y13 signal, Pr. 152, Pr. 153)

- If the output current remains lower than the Pr. 152 setting during inverter operation for longer than the time set in Pr. 153, the zero current detection (Y13) signal is output from the inverter's open collector or relay output terminal.
- When the inverter's output current falls to "0", torque will not be generated. This may cause a drop due to gravity when the inverter is used in vertical lift application. To prevent this, the Y13 signal can be output from the inverter to close the mechanical brake when the output current has fallen to "zero".
- Set "13 (positive logic)" or "113 (negative logic)" in any of Pr. 190 to Pr. 196 (output terminal function selection) to assign the function of the Y13 signal to the output terminal.

CAUTION

- This function is also valid during execution of the online or offline auto tuning.
- The response time of Y12 and Y13 signals is approximately 350ms.
- When terminal assignment is changed using Pr. 190 to Pr. 196 (output terminal function selection), the other functions may be affected. Please make setting after confirming the function of each terminal.

CAUTION

- ⚠ The zero current detection level setting should not be too high, and the zero current detection time setting not too long. Otherwise, the detection signal may not be output when torque is not generated at a low output current.
- ⚠ To prevent the machine and equipment from resulting in hazardous conditions by use of the zero current detection signal, install a safety backup such as an emergency brake.

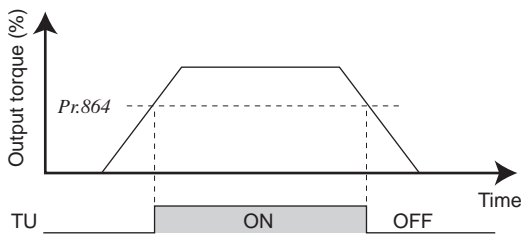
◆ Parameters referred to ◆

Online auto tuning Refer to page 188
 Offline auto tuning Refer to page 178
 Pr. 190 to Pr. 196 (output terminal function selection) Refer to page 226

4.15.8 Detection of output torque (TU signal, Pr. 864) Sensorless Magnetic flux Vector

Output the signal when the motor torque rises above the setting value.
 This function can be used for electromagnetic brake operation, open signal, etc.

Parameter Number	Name	Initial Value	Setting Range	Description
864	Torque detection	150%	0 to 400%	Set the torque value where the TU signal turns on.



- When the output torque reaches or exceeds the detected torque value set in Pr. 864 under real sensorless vector control, advanced magnetic flux vector control or vector control, the torque detection signal (TU) turns on. It turns off when the torque falls below the detection torque value.
- For the TU signal, set "35 (positive logic)" or "135 (negative logic)" in Pr. 190 to Pr. 196 (output terminal function selection) and assign functions to the output terminal.

CAUTION

- When terminal assignment is changed using Pr. 190 to Pr. 196 (output terminal function selection), the other functions may be affected. Please make setting after confirming the function of each terminal.

◆ Parameters referred to ◆

Pr. 190 to Pr. 196 (output terminal function selection) Refer to page 226

4.15.9 Remote output function (REM signal, Pr. 495 to Pr. 497)

You can utilize the on/off of the inverter's output signals instead of the remote output terminal of the programmable logic controller.

Parameter Number	Name	Initial Value	Setting Range	Description	
495	Remote output selection	0	0	Remote output data clear at powering off	Remote output data clear at inverter reset
			1	Remote output data retention even at powering off	
			10	Remote output data clear at powering off	Remote output data retention even at inverter reset
			11	Remote output data retention even at powering off	
496 *	Remote output data 1	0	0 to 4095	Refer to the following diagram.	
497 *	Remote output data 2	0	0 to 4095		

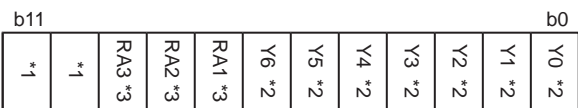
* The above parameters allow its setting to be changed during operation in any operation mode even if "0" (initial value) is set in Pr. 77 Parameter write selection.

<Remote output data>

Pr. 496



Pr. 497

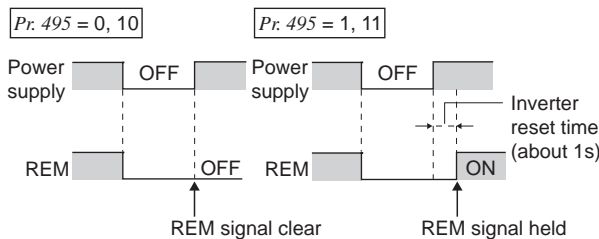


- *1 As desired
- *2 Y0 to Y6 are available only when the extension output option (FR-A7AY) is fitted
- *3 RA1 to RA3 are available only when the relay output option (FR-A7AR) is fitted

- The output terminal can be turned on/off depending on the Pr. 496 or Pr. 497 setting. The remote output selection can be controlled on/off by computer link communication from the PU connector or RS-485 port or by communication from the communication option.
- Set "96" (positive logic) or "196" (negative logic) to any of Pr. 190 to Pr. 196 (output terminal function selection), and assign the remote output (REM) signal to the terminal used for remote output,
- When you refer to the diagram on the left and set 1 to the terminal bit (terminal where the REM signal has been assigned) of Pr. 496 or Pr. 497, the output terminal turns on (off for negative logic). By setting 0, the output terminal turns off (on for negative logic).

Example) When "96" (positive logic) is set in Pr. 190 RUN terminal function selection and "1" (H01) is set in Pr. 496, the terminal RUN turns on.

ON/OFF example for positive logic



- When Pr. 495 = "0 (initial value), 10", performing a power supply reset (including a power failure) clears the REM signal output. (The ON/OFF status of the terminals are as set in Pr. 190 to Pr. 196.) The Pr. 496 and Pr. 497 settings are also "0".
- When Pr. 495 = "1, 11", the remote output data before power supply-off is stored into the EEPROM, so the signal output at power recovery is the same as before power supply-off. However, it is not stored when the inverter is reset (terminal reset, reset request through communication). (See the chart on the left)
- When Pr. 495 = "10, 11", the signal before reset is held even an inverter reset is made.

REMARKS

- The output terminal where the REM signal is not assigned using any of Pr. 190 to Pr. 196 does not turn on/off if 0/1 is set to the terminal bit of Pr. 496 or Pr. 497. (It turns on/off with the assigned function.)
- When the inverter is reset (terminal reset, reset request through communication), Pr. 496 and Pr. 497 values turn to "0". When Pr. 495 = "1, 11", however, they are the settings at power supply-off. (The settings are stored at power supply-off.) When Pr. 495 = "10, 11", they are the same as before an inverter reset is made.

CAUTION

- When Pr. 495 = "1" (remote output data retention even at powering off), take such a step as to connect R1/L11, S1/L21 and P/+, N/- to ensure that control power will be retained to some degree. If you do not take such a step, the output signals provided after power-on are not guaranteed.

◆ Parameters referred to ◆

- Pr. 190 to Pr. 196 (output terminal function selection) Refer to page 226

4.16 Monitor display and monitor output signal

Purpose	Parameter that must be Set		Refer to Page
Display motor speed Set speed	Speed display and speed setting	Pr. 37, Pr. 144, Pr. 505, Pr. 811	238
Change PU monitor display data	DU/PU main display data selection Cumulative monitor clear	Pr. 52, Pr. 170, Pr. 171, Pr. 268, Pr. 891	240
Change of the monitor output from terminal CA and AM	Terminal CA, AM function selection	Pr. 54, Pr. 158, Pr. 291, Pr. 866, Pr. 867, Pr. 869	240
Set the reference of the monitor output from terminal FM and AM	Setting of reference of terminal FM and AM	Pr. 55, Pr. 56, Pr. 291, Pr. 866, Pr. 867	245
Adjust terminal CA, AM outputs	Terminal CA, AM calibration	Pr. 900, Pr. 901, Pr. 930, Pr. 931	247

4.16.1 Speed display and speed setting (Pr. 37, Pr. 144, Pr. 505, Pr. 811)

You can change the PU (FR-DU07/FR-PU04/FR-PU07) monitor display or frequency setting to motor speed or machine speed.

Parameter Number	Name	Initial Value	Setting Range	Description	
37	Speed display	0	0	Frequency display, setting	
			1 to 9998	Set the machine speed at Pr. 505.	
144	Speed setting switchover	4	0, 2, 4, 6, 8, 10, 102, 104, 106, 108, 110	Set the number of motor poles when displaying the motor speed.	
505	Speed setting reference	50Hz	1 to 120Hz	Set the reference speed for Pr. 37.	
811	Set resolution switchover	0	0	Speed setting and running speed monitor increments from the PU, RS-485 communication or communication option.	
			1	1r/min	Torque limit setting increments Pr. 22, Pr. 812 to Pr. 817
			10	0.1r/min	0.1%
			11	1r/min	0.01%

- To display the machine speed, set in Pr. 37 the machine speed for operation with frequency set in Pr. 505. For example, when Pr. 505 = "60Hz" and Pr. 37 = "1000", "1000" is displayed on the running speed monitor when the running frequency is 60Hz. When running frequency is 30Hz, "500" is displayed.
- When displaying the motor speed, set the number of motor poles (2, 4, 6, 8, 10) or number of motor poles + 100 (102, 104, 106, 108, 110) in Pr. 144.
- The Pr. 144 setting is automatically changed if the number of motor poles is set in Pr. 81 Number of motor poles. The Pr. 81 setting is not automatically changed even if the setting of Pr. 144 is changed.
Example 1) When the initial setting of Pr. 81 is changed to "2" or "12", the Pr. 144 setting changes from "4" to "2".
Example 2) When Pr. 144 = "104", setting "2" in Pr. 81 changes the Pr. 144 setting from "104" to "102".
- When "1, or 11" is set in Pr. 811, the setting increments of speed setting from the PU, speed setting from RS-485 communication or communication options (other than FR-A7ND, FR-A7NL, FR-A7NCA) and running speed monitor is 0.1r/min.
- When both Pr. 37 and Pr. 144 have been set, their priorities are as given below.
Pr. 144, 102 to 110 > Pr. 37, 1 to 9998 > Pr. 144, 2 to 10
- When the running speed monitor is selected, each monitor and setting are determined by the combination of Pr. 37 and Pr. 144 as listed below. (The units within the thick frame are the initial values.)

Pr. 37 Setting	Pr. 144 Setting	Output Frequency Monitor	Set Frequency Monitor	Running Speed Monitor	Frequency Setting Parameter Setting
0 (initial value)	0	Hz	Hz	r/min *1	Hz
	2 to 10	Hz	Hz	r/min *1	Hz
	102 to 110	r/min *1	r/min *1	r/min *1	r/min *1
1 to 9998	0	Hz	Hz	Machine speed *1	Hz
	2 to 10	Machine speed *1	Machine speed *1	Machine speed *1	Machine speed *1
	102 to 110	Hz	Hz	r/min *1	Hz

*1 Motor speed r/min conversion formula..... frequency × 120/number of motor poles (Pr. 144)
Machine speed conversion formula..... Pr. 37 × frequency/Pr. 505

For Pr. 144 in the above formula, the value is "Pr. 144 - 100" when "102 to 110" is set in Pr. 144 and the value is "4" when Pr. 37 = 0 and Pr. 144 = 0.


*2 The increments for Hz are 0.01Hz, machine speed are 1r/min, and r/min are 1r/min.

*3 Pr. 505 is always set as frequency (Hz).





CAUTION

- In the V/F control mode, the output frequency of the inverter is displayed in terms of synchronous speed, and therefore, it is unequal to the actual speed by motor slip. This display changes to the actual speed (estimated value calculated based on the motor slip) when the advanced magnetic flux vector control or real sensorless vector control is selected, and actual speed from the encoder when encoder feed back control or vector control is performed.
- When the running speed display is selected at the setting of *Pr. 37* = "0" and *Pr. 144* = "0", the monitor display is provided on the assumption that the number of motor poles is 4. (1800r/min is displayed at 50Hz)
- Refer to *Pr. 52* when you want to change the PU main monitor (PU main display).
- Since the panel display of the operation panel (FR-DU07) is 4 digits in length, the monitor value of more than "9999" is displayed "----".
- After setting the running speed in 0.1r/min increments (*Pr. 811* = "1, 11"), changing the setting increments to 1r/min increments (*Pr. 811* = "0, 10") changes the speed resolution from 0.1r/min to 0.3r/min (four poles), which may round down 0.1r/min increments.
- When the machine speed is displayed on the FR-PU04/FR-PU07, do not change the speed by using an up/down key in the state where the set speed exceeding 65535 is displayed. The set speed may become arbitrary value.
- When an optional FR-A7ND, FR-A7NL or FR-A7NCA is mounted, frequency is displayed (setting) regardless of *Pr. 37* and *Pr. 144*.

CAUTION

 Make sure that the settings of the running speed and number of motor poles are correct. Otherwise, the motor might run at extremely high speed, damaging the machine.

◆ Parameters referred to ◆

- Pr. 52 DU/PU main display data selection*  Refer to page 240
- Pr. 80 Motor capacity, Pr. 81 Number of motor poles*  Refer to page 138
- Pr. 800 Control system selection*  Refer to page 85
- Pr. 811 Set resolution switchover*  Refer to page 92

4.16.2 DU/PU, CA, AM terminal monitor display selection (Pr. 52, Pr. 54, Pr. 158, Pr. 170, Pr. 171, Pr. 268, Pr. 563, Pr. 564, Pr. 891)

The monitor to be displayed on the main screen of the operation panel (FR-DU07)/parameter unit (FR-PU04/FR-PU07) can be selected.

In addition, signals to be output from the terminal CA (analog current output) and AM (analog voltage output) can be selected.

Parameter Number	Name	Initial Value	Setting Range	Description
52*	DU/PU main display data selection	0 (output frequency)	0, 5 to 14, 17 to 20, 22 to 25, 32 to 35, 50 to 57, 100	Select the monitor to be displayed on the operation panel and parameter unit. Refer to the following table for monitor description.
54*	FM terminal function selection	1 (output frequency)	1 to 3, 5 to 14, 17, 18, 21, 24, 32 to 34, 50, 52, 53, 70	Select the monitor output to terminal FM.
158*	AM terminal function selection			Select the monitor output to terminal AM.
170	Watt-hour meter clear	9999	0	Set "0" to clear the watt-hour meter monitor.
			10	Set the maximum value when monitoring from communication to 0 to 9999kWh.
			9999	Set the maximum value when monitoring from communication to 0 to 65535kWh.
171	Operation hour meter clear	9999	0, 9999	Set "0" in the parameter to clear the watt-hour monitor. Setting "9999" has no effect.
268*	Monitor decimal digits selection	9999	0	Display as integral value
			1	Display in 0.1 increments
			9999	No function
563	Energization time carrying-over times	0	0 to 65535 (reading only)	The numbers of cumulative energization time monitor exceeded 65535h is displayed. Reading only
564	Operating time carrying-over times	0	0 to 65535 (reading only)	The numbers of operation time monitor exceeded 65535h is displayed. Reading only
891	Cumulative power monitor digit shifted times	9999	0 to 4	Set the number of times to shift the cumulative power monitor digit. Clamp the monitoring value at maximum.
			9999	No shift Clear the monitor value when it exceeds the maximum value.

* The above parameters allow its setting to be changed during operation in any operation mode even if "0" (initial value) is set in Pr. 77 Parameter write selection.

(1) Monitor description list (Pr. 52)

- Set the monitor to be displayed on the operation panel (FR-DU07) and parameter unit (FR-PU04/FR-PU07) in Pr. 52 DU/PU main display data selection.
- Set the monitor to be output to the terminal CA (analog current output) in Pr. 54 CA terminal function selection.
- Set the monitor to be output to the terminal AM (analog voltage output (0 to 10VDC voltage output)) in Pr. 158 AM terminal function selection.
- Refer to the following table and set the monitor to be displayed. (The signals marked × cannot be selected for monitoring)

Types of Monitor	Increments	Pr. 52 Setting		Pr. 54 (CA) Pr. 158 (AM) Setting	Full-scale Value of the Terminal CA and AM	Description
		DU LED	PU main monitor			
Output frequency	0.01Hz	0/100		1	Pr. 55	Display the inverter output frequency.
Output current	0.01A/0.1A ₇	0/100		2	Pr. 56	Display the inverter output current effective value.
Output voltage	0.1V	0/100		3	800V	Display the inverter output voltage.
Alarm display	—	0/100		×	—	Display 8 past alarms individually.
Frequency setting	0.01Hz	5	*1	5	Pr. 55	Display the set frequency.

Types of Monitor	Increments	Pr. 52 Setting		Pr. 54 (CA) Pr. 158 (AM) Setting	Full-scale Value of the Terminal CA and AM	Description
		DU LED	PU main monitor			
Running speed	1(r/min)	6	*1	6	The value converted with the Pr. 37 value from Pr. 55	Display the motor speed (depending on Pr. 37 and Pr. 144 settings, for details, refer to page 238)
Motor torque	0.1%	7	*1	7	Pr. 866	Display the motor torque in percentage on the assumption that the rated motor torque is 100% (0% is displayed during V/F control)
Converter output voltage	0.1V	8	*1	8	800V	Display the DC bus voltage value.
Regenerative brake duty	0.1%	9	*1	9	Pr. 70	Brake duty set in Pr. 30 and Pr. 70
Electronic thermal relay function load factor	0.1%	10	*1	10	100%	Display the motor thermal cumulative value on the assumption that the thermal operation level is 100%.
Output current peak value	0.01A/0.1A ^{*7}	11	*1	11	Pr. 56	Retain the peak value of the output current monitor and display (clears at every start)
Converter output voltage peak value	0.1V	12	*1	12	800V	Retain the peak value of the DC bus voltage value and display (clears at every start)
Input power	0.01kW/ 0.1kW ^{*7}	13	*1	13	Rated inverter power × 2	Display power on the inverter input side
Output power	0.01kW/ 0.1kW ^{*7}	14	*1	14	Rated inverter power × 2	Display power on the inverter output side
Load meter	0.1%	17		17	100%	Torque current is displayed in % on the assumption that the Pr. 866 setting is 100%
Motor excitation current	0.01A/0.1A ^{*7}	18		18	Pr. 56	Display the excitation current of the motor
Position pulse ^{*2}	—	19		×	—	Display the number of pulses per rotation of the motor when orientation control is valid
Cumulative energization time ^{*4, *8}	1h	20		×	—	Cumulative energization time since the inverter shipment is displayed. You can check the numbers of the monitor value exceeded 65535h with Pr. 563.
Reference voltage output	—	—		21	—	Terminal CA : 20mA is output Terminal AM: 10V is output
Orientation status ^{*2}	1	22		×	—	Display only when orientation control is valid (Refer to page 208)
Actual operation time ^{*4, *5, *8}	1h	23		×	—	Cumulative inverter running time is displayed. You can check the numbers of the monitor value exceeded 65535h with Pr. 564. Use Pr. 171 to clear the value. (Refer to page 244)
Motor load factor	0.1%	24		24	200%	On the assumption that the rated inverter current value is 100%, the output current value is displayed in %. Monitor value = output current monitor value / rated inverter current × 100 [%]
Cumulative power ^{*8}	0.01kWh/ 0.1kWh ^{*6 *7}	25		×	—	Cumulative power amount is displayed according to the output power monitor. Use Pr. 170 to clear the value. (Refer to page 244)
Torque command	0.1%	32		32	Pr. 866	Display torque command value obtained from vector control
Torque current command	0.1%	33		33	Pr. 866	Display torque current command value
Motor output	0.01kW/ 0.1kW ^{*7}	34		34	Rated motor capacity	Multiply the motor speed by the then output torque and display the machine output of the motor shaft end
Feedback pulse ^{*3, *8}	—	35		×	—	Display the number of pulses fed back from the encoder during one sampling (display during a stop).
Power saving effect	Variable according to parameters	50		50	Inverter capacity	Display energy saving effect monitor You can change the monitor to power saving, power saving average value, charge display and % display using parameters. (For details, refer to page 264)
Cumulative saving power ^{*8}		51		×	—	

Types of Monitor	Increments	Pr. 52 Setting		Pr. 54 (CA) Pr. 158 (AM) Setting	Full-scale Value of the Terminal CA and AM	Description
		DU LED	PU main monitor			
PID set point	0.1%	52		52	100%	Display the set point, measured value and deviation during PID control (For details, refer to page 348)
PID measured value	0.1%	53		53	100%	
PID deviation	0.1%	54		×	—	
Input terminal status	—	55	*1	×	—	Display the input terminal ON/OFF status on the PU (refer to page 243 for DU display)
Output terminal status	—		*1	×	—	Display the output terminal ON/OFF status on the PU (refer to page 243 for DU display)
Option input terminal status	—	56	×	×	—	Display the input terminal ON/OFF status of the digital input option (FR-A7AX) on the DU (refer to page 243 for details)
Option output terminal status	—	57	×	×	—	Display the output terminal ON/OFF states of the digital output option (FR-A7AY) or relay output option (FR-A7AR) on the DU (refer to page 243 for details)
PLC function output	0.1%	×		70	100%	Desired values can be output from terminal CA and AM using the PLC function. Refer to the FR-A700 PLC function programming manual for details of the PLC function.

- *1 Frequency setting to output terminal status on the PU main monitor are selected by "other monitor selection" of the parameter unit (FR-PU04, FR-PU07).
- *2 Position pulse and orientation status function when used with an option (FR-A7AP). When orientation control is invalid, "0" remains displayed and these functions are invalid.
- *3 Feedback pulse functions when the option (FR-A7AP) is used and vector control is performed.
- *4 The cumulative energization time and actual operation time are accumulated from 0 to 65535 hours, then cleared, and accumulated again from 0. When the operation panel (FR-DU07) is used, the time is displayed up to 65.53 (65530h) on the assumption that 1h = 0.001, and thereafter, it is added up from 0.
- *5 The actual operation time is not added up if the cumulative operation time before power supply-off is less than 1h.
- *6 When using the parameter unit (FR-PU04/FR-PU07), "kW" is displayed.
- *7 The setting depends on the inverter capacity. (01800 or less / 02160 or more)
- *8 Since the panel display of the operation panel (FR-DU07) is 4 digits in length, the monitor value of more than "9999" is displayed "----".

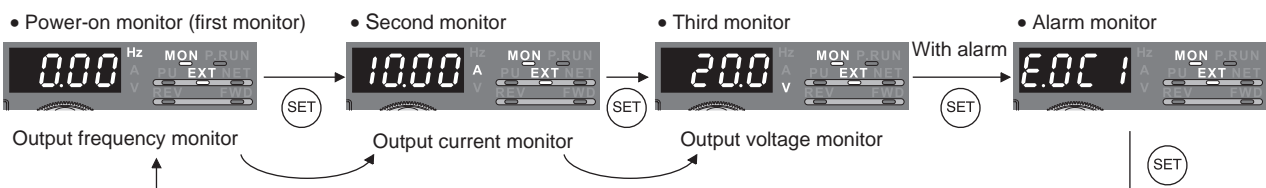
REMARKS

- By setting "0" in Pr. 52, the monitoring of output frequency to alarm display can be selected in sequence by (SET).
- When the operation panel (FR-DU07) is used, the displayed units are Hz, V and A only and the others are not displayed.
- The monitor set in Pr. 52 is displayed in the third monitor position. (The output voltage monitor is changed.)

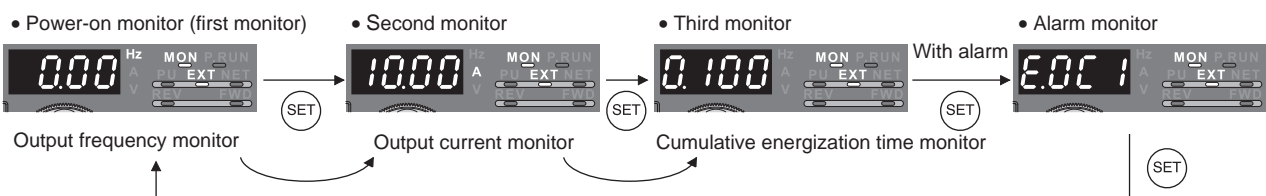
Initial value

* The monitor displayed at powering on is the first monitor. Display the monitor you want to display on the first monitor and hold down (SET) for 1s.

(SET) for 1s. (To return to the output frequency monitor, hold down (SET) for 1s after displaying the output frequency monitor.)



Example) When Pr. 52 is set to "20" (cumulative energization time), the monitor is displayed on the operation panel as described below.



(2) Display set frequency during stop (Pr. 52)

- When Pr. 52 is set to "100", the set frequency monitor is displayed during a stop and the output frequency monitor is displayed during operation. (LED of Hz flickers during stop and is lit during running.)

Type of Monitor	Pr. 52		
	0		100
	During running/stop	During stop	During running
Output frequency	Output frequency	Set frequency	Output frequency
Output current	Output current		
Output voltage	Output voltage		
Alarm display	Alarm display		

REMARKS

- During an error, the output frequency at error occurrence appears.
- During MRS, the values displayed are the same as during a stop.
- During offline auto tuning, the tuning status monitor has priority.

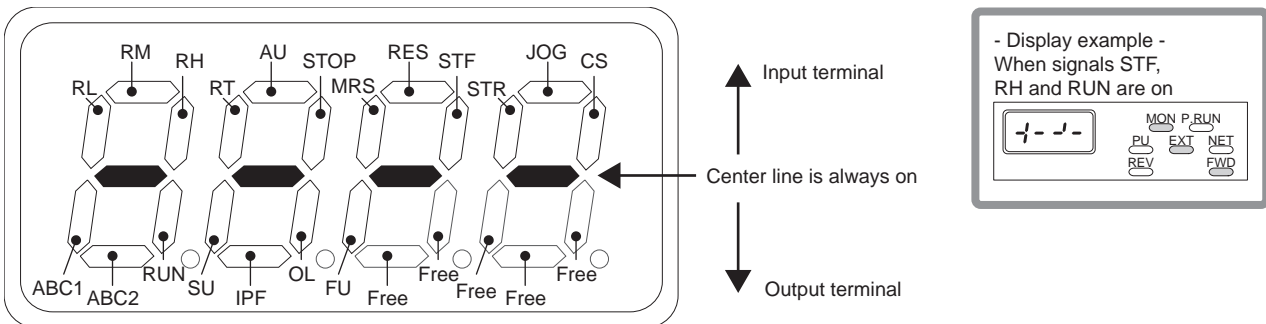
(3) Operation panel (FR-DU07) I/O terminal monitor (Pr. 52)

- When Pr. 52 is set to any of "55 to 57", the I/O terminal states can be monitored on the operation panel (FR-DU07).
- The I/O terminal monitor is displayed on the third monitor.
- The LED is on when the terminal is on, and the LED is off when the terminal is off. The center line of LED is always on.

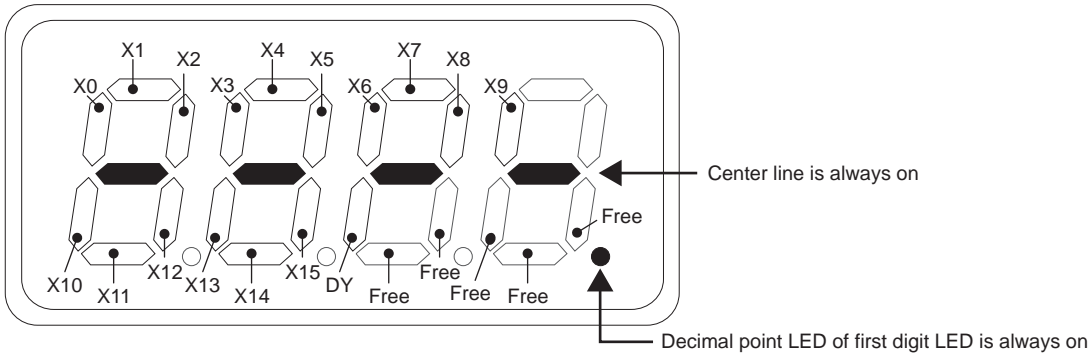
Pr. 52 Setting	Monitor Description
55	Display the I/O and output terminal ON/OFF status of the inverter unit.
56 *	Display the input terminal ON/OFF status of the digital input option (FR-A7AX).
57 *	Display the output terminal ON/OFF status of the digital output option (FR-A7AY) or relay output option (FR-A7AR).

* You can set "56" or "57" even if the option is not fitted. When the option is not fitted, the monitor displays are all off.

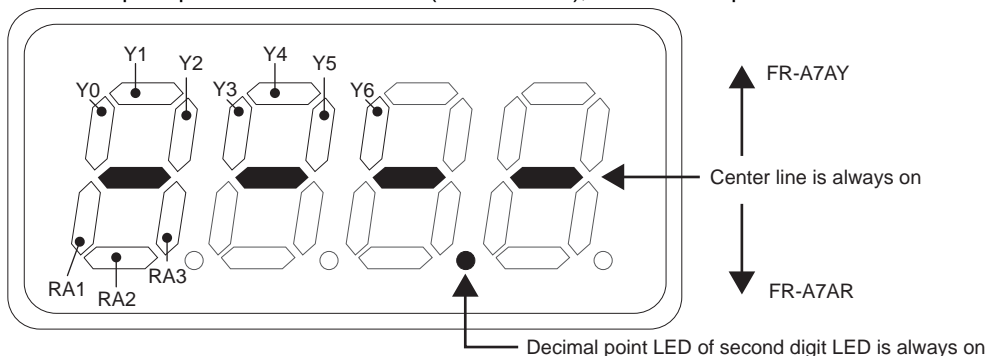
- On the unit I/O terminal monitor (Pr. 52 = "55"), the upper LEDs denote the input terminal status and the lower the output terminal status.



- On the input option terminal monitor (Pr. 52 = "56"), the decimal point LED of the first digit LED is on.



- On the input option terminal monitor (Pr. 52 = "57"), the decimal point LED of the second digit LED is on.



(4) Cumulative power monitor and clear (Pr. 170, Pr. 891)

- On the cumulative power monitor (Pr. 52 = "25"), the output power monitor value is added up and is updated in 1h increments.
- The operation panel (FR-DU07), parameter unit (FR-PU04, FR-PU07) and communication (RS-485 communication, communication option) display increments and display ranges are as indicated below.

Operation Panel *1		Parameter Unit *2		Communication		
Range	Increments	Range	Increments	Range		Increments
				Pr. 170 = 10	Pr. 170 = 9999	
0 to 99.99kWh	0.01kWh	0 to 999.99kWh	0.01kWh	0 to 9999kWh	0 to 65535kWh (initial value)	1kWh
100.0 to 999.9kWh	0.1kWh	1000.0 to 9999.9kWh	0.1kWh			
1000 to 9999kWh	1kWh	10000 to 99999kWh	1kWh			

*1 Power is measured in the range 0 to 9999.99kWh, and displayed in 4 digits.
When the monitor value exceeds "99.99", a carry occurs, e.g. "100.0", so the value is displayed in 0.1kWh increments.
*2 Power is measured in the range 0 to 99999.99.99kWh, and displayed in 5 digits.
When the monitor value exceeds "999.99", a carry occurs, e.g. "1000.0", so the value is displayed in 0.1kWh increments.

- The monitor data digit can be shifted to the right by the number of Pr. 891 settings.
For example, if the cumulative power value is 1278.56kWh when Pr. 891 = "2", the PU/DU display is 12.78 (display in 100kWh increments) and the communication data is 12.
- If the maximum value is exceeded at Pr. 891 = "0 to 4", the power is clamped at the maximum value, indicating that a digit shift is necessary. If the maximum value is exceeded at Pr. 891 = "9999", the power returns to 0 and is recounted.
If the maximum value is exceeded at Pr. 891 = "9999", the power returns to 0 and is recounted.
- Writing "0" in Pr. 170 clears the cumulative power monitor.

REMARKS

- If "0" is written in Pr. 170 and Pr. 170 is read again, "9999" or "10" is displayed.

(5) Cumulative energization time and actual operation time monitor (Pr. 171, Pr. 563, Pr. 564)

- On the cumulative energization time monitor (Pr. 52 = "20"), the inverter running time is added up every hour.
- On the actual operation time monitor (Pr. 52 = "23"), the inverter running time is added up every hour. (Time is not added up during a stop.)
- If the numbers of monitor value exceeds 65535, it is added up from 0. You can check the numbers of cumulative energization time monitor exceeded 65535h with Pr. 563 and the numbers of actual operation time monitor exceeded 65535h with Pr. 564.
- Writing "0" in Pr. 171 clears the actual operation time monitor. (Energization time monitor can not be cleared.)

REMARKS

- The actual operation time is not added up unless the inverter is operated one or more hours continuously.
- If "0" is written in Pr. 171 and Pr. 171 is read again, "9999" is always displayed. Setting "9999" does not clear the actual operation time meter.

(6) You can select the decimal digits of the monitor (Pr. 268)




- As the operation panel (FR-DU07) display is 4 digits long, the decimal places may vary at analog input, etc. The decimal places can be hidden by selecting the decimal digits.
In such a case, the decimal digits can be selected by Pr. 268.

Pr. 268 Setting	Description
9999 (initial value)	No function
0	When 1 or 2 decimal places (0.1 increments or 0.01 increments) are monitored, the decimal places are dropped and the monitor displays an integer value (1 increments). The monitor value of 0.99 or less is displayed as 0.
1	When 2 decimal places (0.01 increments) are monitored, the 0.01 decimal place is dropped and the monitor displays the first decimal place (0.1 increments). When the monitor display digit is originally in 1 increments, it is displayed unchanged in 1 increments.

REMARKS

- The number of display digits on the cumulative energization time (Pr. 52 = "20"), actual operation time (Pr. 52 = "23"), cumulative power (Pr. 52 = "25") or cumulative saving power monitor (Pr. 52 = "51") does not change.

◆ Parameters referred to ◆

Pr. 37 Speed display, Pr. 144 Speed setting switchover  Refer to page 238
Pr. 55 Frequency monitoring reference, Pr. 56 Current monitoring reference, Pr. 866 Torque monitoring reference  Refer to page 245
Pr. 291 Pulse train I/O selection  Refer to page 245

4.16.3 Reference of the terminal CA (analog current output) and AM (analog voltage output) (Pr. 55, Pr. 56, Pr. 866, Pr. 867, Pr. 869)

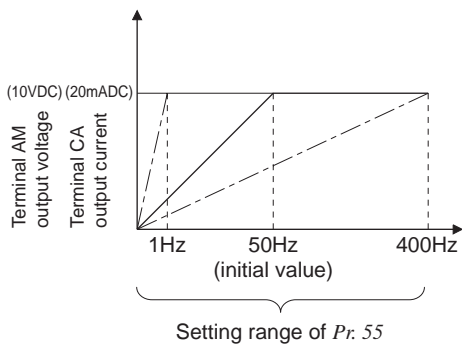
Two types of monitor output, analog current output from the terminal CA and analog voltage output from the terminal AM, are available.

Set the reference of the signal output from terminal CA and AM.

Parameter Number	Name	Initial Value	Setting Range	Description	
55 *	Frequency monitoring reference	50Hz	0 to 400Hz	Set the full-scale value to output the output frequency monitor value to terminal CA and AM.	
56 *	Current monitoring reference	Rated inverter output current	01800 or less	0 to 500A	Set the full-scale value to output the output current monitor value to terminal CA and AM.
			02160 or more	0 to 3600A	
866 *	Torque monitoring reference	150%	0 to 400%	Set the full-scale value to output the torque monitor value to terminal CA and AM.	
867	AM output filter	0.01s	0 to 5s	Set the output filter of terminal AM.	
869	Current output filter	0.02s	0 to 5s	Adjust response level of current output.	

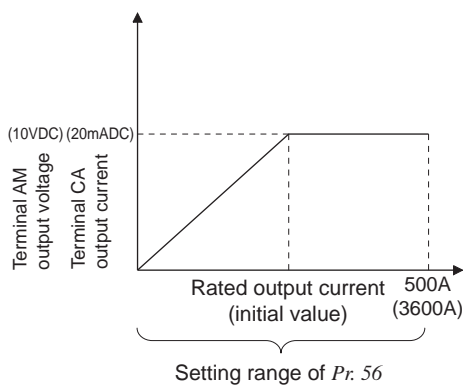
* The above parameters allow its setting to be changed during operation in any operation mode even if "0" (initial value) is set in Pr. 77 Parameter write selection.

(1) Frequency monitoring reference(Pr. 55)



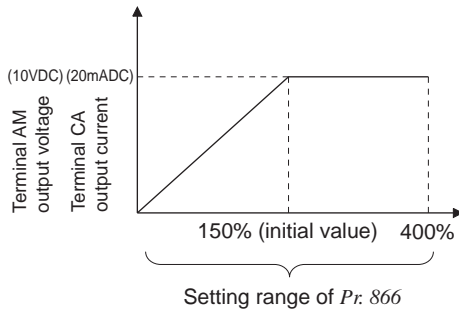
- Set the frequency to be referenced when the frequency monitor (output frequency/set frequency) is selected for the terminal CA and terminal AM display.
- Set the frequency when the current output at terminal CA is 20mADC.
The analog current output and inverter output frequency at terminal CA are proportional. (The maximum output current is 20mADC.)
- Set the frequency (output frequency/set frequency) when the voltage output at terminal AM is 10VDC.
The analog voltage output and frequency at terminal AM are proportional. (The maximum output voltage is 10VDC.)

(2) Current monitoring reference (Pr. 56)



- Set the current to be referenced when the current monitor (inverter output current, etc.) is selected for the terminal CA and terminal AM display.
- Set the current value when the current output at terminal CA is 20mADC.
The analog current output and current value at terminal CA are proportional. (The maximum output current is 20mADC.)
- Set the current value when the voltage output at terminal AM is 10VDC.
The analog voltage output and current value at terminal AM are proportional. (The maximum output voltage is 10VDC.)

(3) Torque monitoring reference (Pr. 866)



- Set the current to be referenced when the torque monitor is selected for the terminal CA and terminal AM display.
- Set the current value when the current output at terminal CA is 20mADC.
The analog current output and current value at terminal CA are proportional. (The maximum output current is 20mADC.)
- Set the current value when the voltage output at terminal AM is 10VDC.
The analog voltage output and current value at terminal AM are proportional. (The maximum output voltage is 10VDC.)

(4) Terminal AM response adjustment (Pr. 867)

- Using Pr. 867, the output voltage response of the terminal AM can be adjusted within the range 0 to 5s.
- Increasing the setting stabilizes the terminal AM output more but reduces the response level. (Setting "0" sets the response level to 4ms)

(5) Adjustment of response level of terminal CA (Pr. 869)

- The response level of the output current of the terminal CA can be adjusted between 0 and 5s with Pr. 869.
- Increasing the setting stabilizes the terminal CA output more but reduces the response level. (Setting "0" sets the response level to about 7ms.)

4.16.4 Terminal CA, AM calibration (Calibration parameter C0 (Pr. 900), C1 (Pr. 901), C8 (Pr. 930) to C11 (Pr. 931))

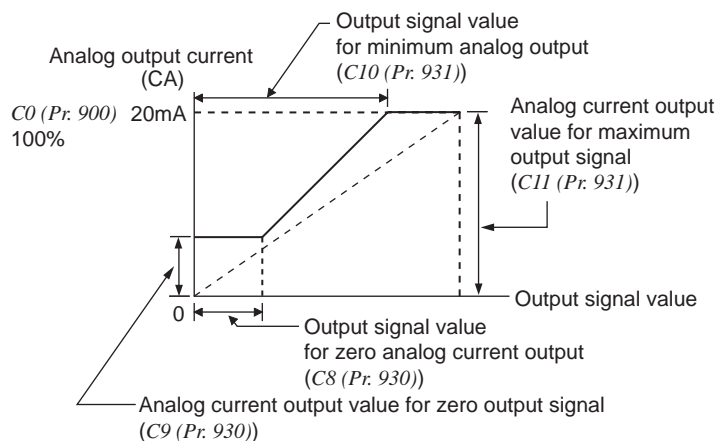
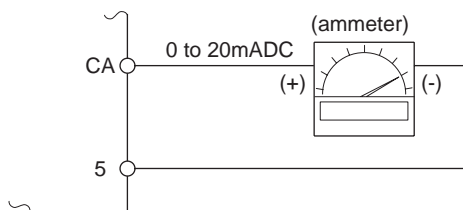
By using the operation panel or parameter unit, you can calibrate terminal CA and terminal AM to full scale deflection.

Parameter Number	Name	Initial Value	Setting Range	Description
C0(900)	CA terminal calibration	—	—	Calibrate the scale of the meter connected to terminal CA.
C1(901)	AM terminal calibration	—	—	Calibrate the scale of the analog meter connected to terminal AM.
C8(930)	Current output bias signal	0%	0 to 100%	Output signal value for minimum analog current output
C9(930)	Current output bias current	0%	0 to 100%	Output current value for minimum analog current output
C10(931)	Current output gain signal	100%	0 to 100%	Output signal value for maximum analog current output
C11(931)	Current output gain current	100%	0 to 100%	Output current value for maximum analog current output

*1 The parameter number in parentheses is the one for use with the parameter unit (FR-PU04/FR-PU07).

*2 The above parameters allow its setting to be changed during operation in any operation mode even if "0" (initial value) is set in Pr. 77 Parameter write selection.

(1) CA terminal calibration (C0(Pr. 900), C8(Pr. 930) to C11(Pr. 931))



- Terminal CA is factory-set to provide a 20mADC output in the full-scale status of the corresponding monitor item. Calibration parameter C0 (Pr. 900) allows the output current ratios (gains) to be adjusted according to the meter scale. Note that the maximum output current is 20mADC.
- Use calibration parameters C8(Pr. 930) and C9(Pr. 930) to set a value for zero analog current output (meter points zero) . In addition, use calibration parameters C10(Pr. 931) and C11(Pr. 931) to set a value for maximum analog current output.
- Use calibration parameters C8(Pr. 930) and C10(Pr. 931) to set output signal values (monitor output set in Pr. 54) when the current output at terminal CA is zero or maximum. At this time, the full-scale of each monitor is 100%. (Refer to page 240)
- Use calibration parameters C9(Pr. 930) and C11(Pr. 931) to set the current output values at terminal CA when the output signal value (monitor output set in Pr. 54) is zero or maximum. At this time, the current output calibrated using calibration parameter C0(Pr. 900) is 100%.

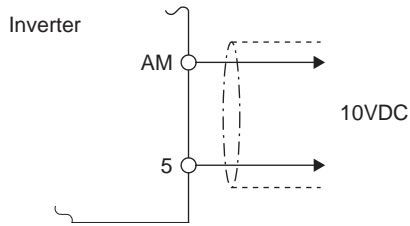
Calibrate CA terminal in the following procedure.

- 1) Connect a 0-20mADC meter (DC ammeter) to across inverter terminals CA-5. (Note the polarity. Terminal CA is plus.)
- 2) Set calibration parameters C8 (Pr. 930) to C11 (Pr. 931) to initial values. (When the meter needle does not point to 0, calibrate using C8 (Pr. 930) and C9 (Pr. 930))
- 3) Refer to the output signal list (page 245) to set Pr. 54.
When running frequency, inverter output current or the like has been selected as the output signal, preset in Pr. 55 or Pr. 56 the running frequency or current value at which the output signal is 20mA.
- 4) Run the inverter. (The inverter may be run in either the PU or external operation mode.)
- 5) Use calibration parameter C0 (Pr. 900) to set the meter needle to point to full-scale.

Remarks

- When outputting the item that cannot achieve a 100% value easily by operation, e.g. output current, set "21" (reference voltage output) in Pr. 54 and perform calibration. (20mADC is output at terminal CA.)
- Even when calibration parameters are set as C8 (Pr. 930) ≥ C10 (Pr. 931) and C9 (Pr. 930) ≥ C11 (Pr. 931), current can be output at terminal CA.

(2) AM terminal calibration (C1 (Pr. 901))



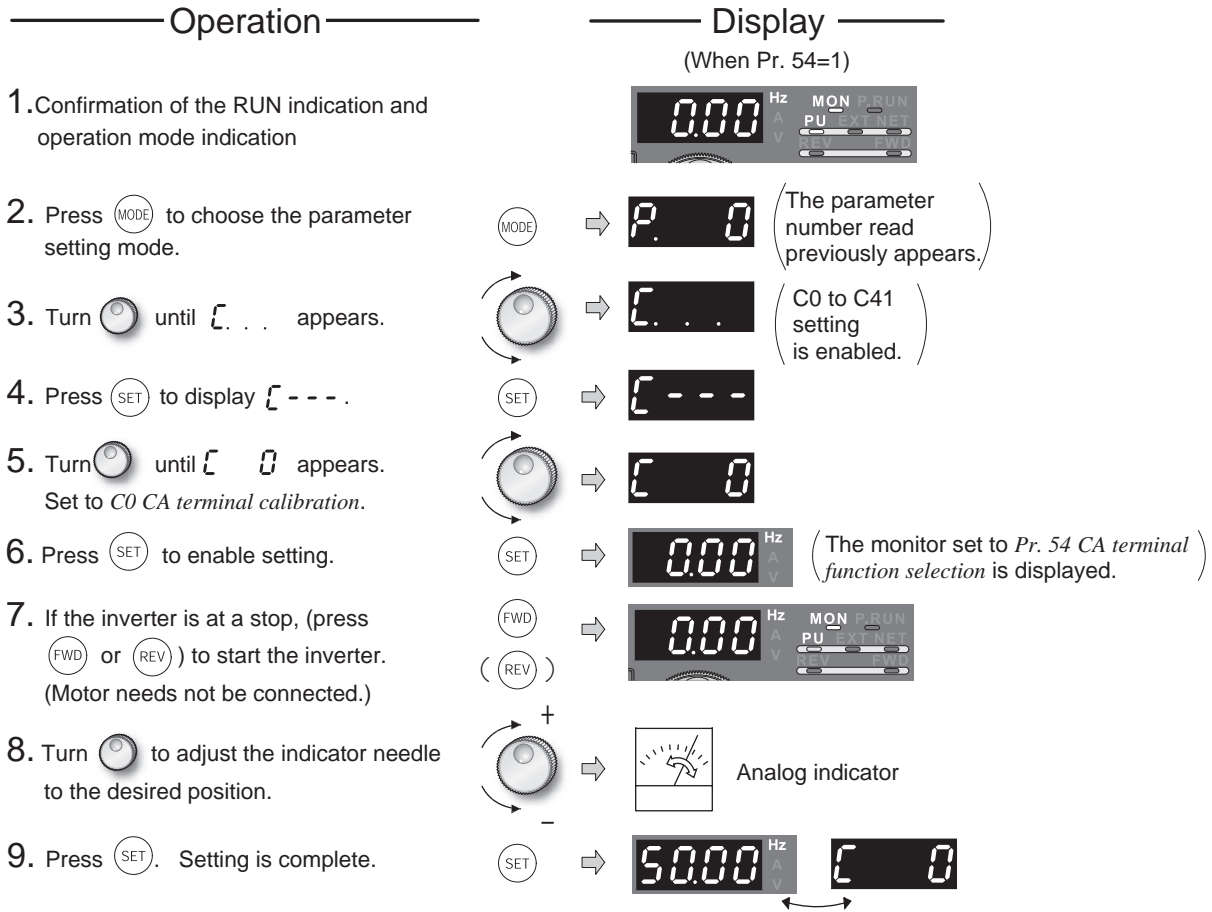
- Terminal AM is factory-set to provide a 10VDC output in the full-scale status of the corresponding monitor item. Calibration parameter C1 (Pr. 901) allows the output voltage ratios (gains) to be adjusted according to the meter scale. Note that the maximum output voltage is 10VDC.

- Calibrate the AM terminal in the following procedure.
 - 1) Connect a 0-10VDC meter (frequency meter) to across inverter terminals AM-5. (Note the polarity. The terminal AM is positive.)
 - 2) Refer to the monitor description list (page 240) and set Pr. 158. When you selected the running frequency, inverter output current, etc. as monitor, preset in Pr. 55 or Pr. 56 the running frequency or current value at which the output signal will be 10V.
 - 3) When outputting the item that cannot achieve a 100% value easily by operation, e.g. output current, set "21" (reference voltage output) in Pr. 158 and perform the following operation. After that, set "2" (output current, for example) in Pr. 158.

REMARKS

- When outputting such an item as the output current, which cannot reach a 100% value easily by operation, set Pr. 54 to "21" (reference voltage output) and make calibration. 10VDC is output from the terminal AM.

(3) How to calibrate the terminal CA when using the operation panel (FR-DU07)



Flicker...Parameter setting complete!!

- By turning (rotary knob), you can read another parameter.
- Press (SET) to return to the [- - -] indication (step 4).
- Press (SET) twice to show the next parameter (Pr. []).

REMARKS

- Calibration can also be made for external operation. Set the frequency in external operation mode, and make calibration in the above procedure.
- Calibration can be made even during operation.
- For the operation procedure using the parameter unit (FR-PU04/FR-PU07), refer to the parameter unit instruction manual.

◆ Parameters referred to ◆

- Pr. 54 CA terminal function selection Refer to page 240
- Pr. 55 Frequency monitoring reference Refer to page 245
- Pr. 56 Current monitoring reference Refer to page 245
- Pr. 158 AM terminal function selection Refer to page 240



4.17 Operation selection at power failure and instantaneous power failure

Purpose	Parameter that must be Set	Refer to Page
At instantaneous power failure occurrence, restart inverter without stopping motor	Automatic restart operation after instantaneous power failure/flying start	Pr. 57, Pr. 58, Pr. 162 to Pr. 165, Pr. 299, Pr. 611
When undervoltage or a power failure occurs, the inverter can be decelerated to a stop.	Power failure-time deceleration-to-stop function	Pr. 261 to Pr. 266, Pr. 294

4.17.1 Automatic restart after instantaneous power failure/flying start (Pr. 57, Pr. 58, Pr. 162 to Pr. 165, Pr. 299, Pr. 611)

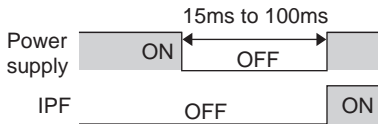
You can restart the inverter without stopping the motor in the following cases.

- when commercial power supply operation is switched to inverter operation
- when power comes back on after an instantaneous power failure
- when motor is coasting at start

Parameter Number	Name	Initial Value	Setting Range	Description	
57	Restart coasting time	9999	0	· 00052 or less 0.5s, · 00083 to 00250..... 1s, · 00310 to 01800..... 3.0s, · 02160 or more 5.0s, The above times are coasting time.	
			01800 or less	0.1 to 5s	Set the waiting time for inverter-triggered restart after an instantaneous power failure.
			02160 or more	0.1 to 30s	
			9999	No restart	
58	Restart cushion time	1s	0 to 60s	Set a voltage starting time at restart.	
162	Automatic restart after instantaneous power failure selection	0	0	With frequency search	
			1	Without frequency search (reduced voltage system)	
			2	Encoder detection frequency search	
			10	Frequency search at every start	
			11	Reduced voltage system at every start	
12	Encoder detection frequency search at every start				
163	First cushion time for restart	0s	0 to 20s	Set a voltage starting time at restart.	
164	First cushion voltage for restart	0%	0 to 100%	Consider using these parameters according to the load (moment of inertia, torque) magnitude.	
165	Stall prevention operation level for restart	150%*1	0 to 220%*1	Consider the rated inverter current as 100% and set the stall prevention operation level during restart operation.	
299	Rotation direction detection selection at restarting	0	0	Without rotation direction detection	
			1	With rotation direction detection	
			9999	When Pr. 78 = "0", the rotation direction is detected. When Pr. 78 = "1","2", the rotation direction is not detected.	
611	Acceleration time at a restart	01800 or less	5s	Set the acceleration time to reach the set frequency at a restart. Acceleration time for restart is the normal acceleration time (e.g. Pr. 7) when "9999" is set.	
		02160 or more	15s		

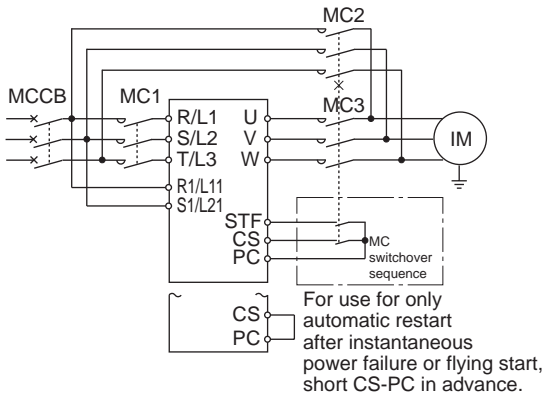
*1 When Pr. 570 Multiple rating setting ≠ "2", performing all parameter clear and inverter reset changes the initial value and setting range. (Refer to page 147.)

(1) Automatic restart after instantaneous power failure operation



- When instantaneous power failure protection (E.IPF) and undervoltage protection (E.UVT) are activated, the inverter output is shut off. (Refer to page 394 for E.IPF and E.UVT.)
When automatic restart after instantaneous power failure operation is set, the motor can be restarted if power is restored after an instantaneous power failure or undervoltage is corrected. (E.IPF and E.UVT are not activated.)
- When E.IPF and E.UVT are activated, instantaneous power failure/under voltage signal (IPF) is output.
- The IPF signal is assigned to the terminal IPF in the initial setting. The IPF signal can also be assigned to the other terminal by setting "2 (positive logic) or 102 (negative logic)" to any of Pr. 190 to Pr. 196 (output terminal function selection).

(2) Connection (CS signal)



- When the automatic restart after instantaneous power failure selection signal (CS) is turned on, automatic restart operation is enabled.
- When Pr. 57 is set to other than "9999" (automatic restart operation enabled), the inverter will not operate if used with the CS signal remained off.

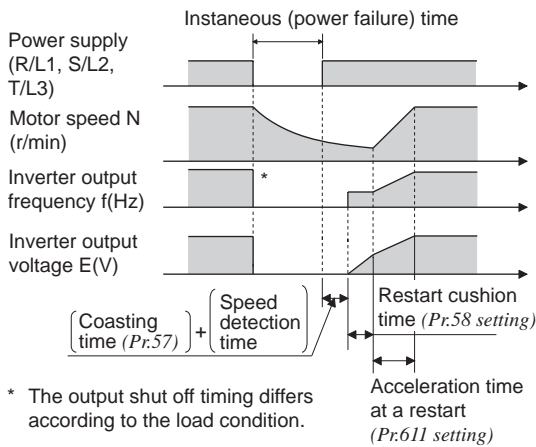
REMARKS

- The CS signal is assigned to the terminal CS in the initial setting. By setting "6" in any of Pr. 178 to Pr. 189 (input terminal function selection), you can assign the CS signal to the other terminal.

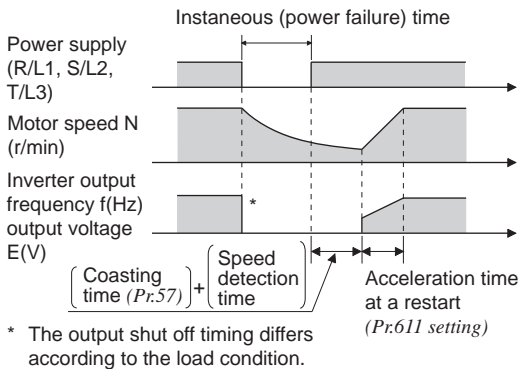
(3) Automatic restart operation selection (Pr. 162, Pr. 299)

When Pr. 162 = 0, 10 (with frequency search)

V/F control, advanced magnetic flux vector control



Real sensorless vector control



With frequency search

- When "0 (initial value), 10" is set in Pr. 162, the inverter smoothly starts after detecting the motor speed upon power restoration.
- During reverse rotation, the inverter can be restarted smoothly as the direction of rotation is detected.
- You can select whether to make rotation direction detection or not with Pr. 299 Rotation direction detection selection at restarting. When capacities of the motor and inverter differ, set "0" (without rotation direction detection) in Pr. 299.

Pr. 299 Setting	Pr. 78 Setting		
	0	1	2
9999	○	×	×
0 (initial value)	×	×	×
1	○	○	○

○:with rotation direction detection
×:without rotation direction detection

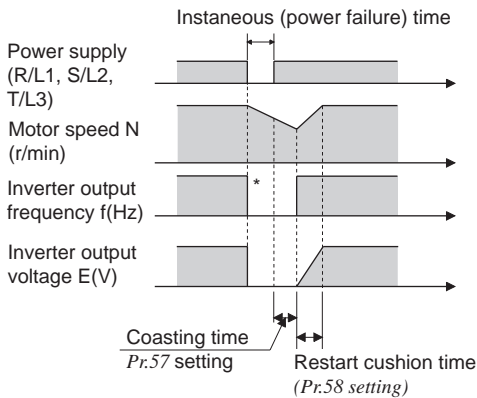
REMARKS

- Speed detection time (frequency search) changes according to the motor speed. (maximum 500ms)
- When the inverter capacity is two rank or more larger than the motor capacity, the inverter may not start due to overcurrent (OCT) alarm.
- If two or more motors are connected to one inverter, the inverter functions abnormally. (The inverter does not start smoothly.)
- Since the DC injection brake is operated instantaneously when the speed is detected at a restart, the speed may reduce if the inertia moment (J) of the load is small.
- When reverse rotation is detected when Pr. 78 = "1" (reverse rotation disabled), the rotation direction is changed to forward rotation after decelerates in reverse rotation when the start command is forward rotation. The inverter will not start when the start command is reverse rotation.



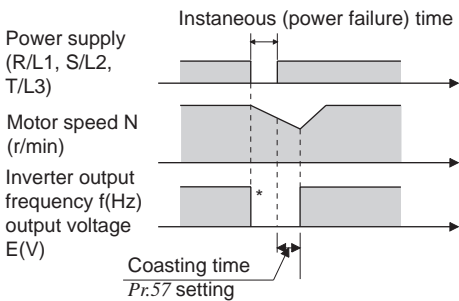
● When Pr. 162 = 1, 11 (without frequency search)

V/F control, advanced magnetic flux vector control



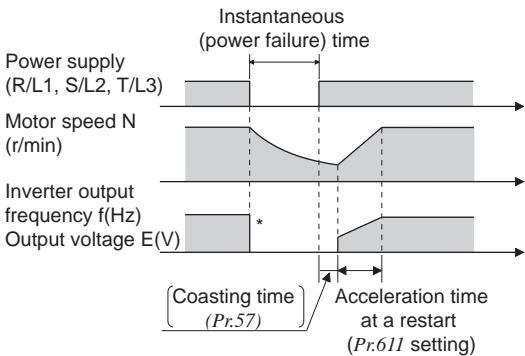
* The output shut off timing differs according to the load condition.

Real sensorless vector control



* The output shut off timing differs according to the load condition.

● When Pr. 162 = 2, 12 (encoder detection frequency search)



* The output shut off timing differs according to the load condition.

● Without frequency search

When Pr. 162 = "1" or "11", automatic restart operation is performed in a reduced voltage system, where the voltage is gradually risen with the output frequency unchanged from prior to an instantaneous power failure independently of the coasting speed of the motor. For real sensorless vector control, output frequency and voltage before instantaneous power failure are output. (Pr. 58 is made invalid.)

REMARKS

- This system stores the output frequency prior to an instantaneous power failure and increases the voltage. Therefore, if the instantaneous power failure time exceeds 0.2s, the inverter starts at Pr. 13 Starting frequency (initial value = 0.5Hz) since the stored output frequency cannot be retained.

● Encoder detection frequency search

- When "2 or 12" is set in Pr. 162 under encoder feedback control, the motor starts at the motor speed and in the rotation direction detected from the encoder at power restoration.
- Encoder detection frequency search is performed regardless of the Pr. 162 setting under vector control.
- The Pr. 58 and Pr. 299 settings are invalid for encoder detection frequency search.

REMARKS

- When encoder feedback control is invalid, setting "2 or 12" in Pr. 162 enables frequency search (Pr. 162 = "0, 10").

● Restart operation at every start

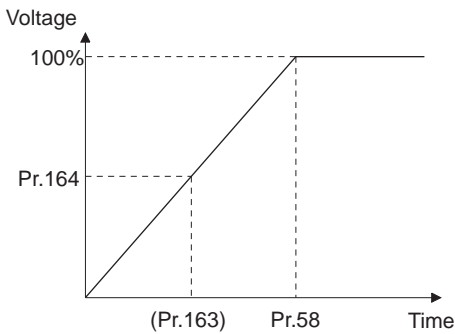
When Pr. 162 = "10, 11 or 12", automatic restart operation is also performed every start, in addition to the automatic restart after instantaneous power failure. When Pr. 162 = "0" or "2", automatic restart operation is performed at the first start after power supply-on, but the inverter starts at the starting frequency at the second time or later.

(4) Restart coasting time (Pr. 57)

- Coasting time is the time from when the motor speed is detected until automatic restart control is started.
- Set Pr. 57 to "0" to perform automatic restart operation. The coasting time is automatically set to the value below. Generally this setting will pose no problems.
00052 or less 0.5s, 00083 to 00250 . . . 1s, 00310 to 01800 3.0s, 02160 or more . . . 5.0s
- Operation may not be performed well depending on the magnitude of the moment (J) of inertia of the load or running frequency. Adjust the coasting time between 0.1s and 5s according to the load specifications.

(5) Restart cushion time (Pr. 58)

- Cushion time is the length of time taken to raise the voltage appropriate to the detected motor speed (output frequency prior to instantaneous power failure when Pr. 162 = "1" or "11").
- Normally the initial value need not be changed for operation, but adjust it according to the magnitude of the moment (J) of inertia of the load or torque.
- Pr. 58 is invalid during encoder feedback control (Pr. 162 = "2, 12"), real sensorless vector control or vector control.



(6) Automatic restart operation adjustment (Pr. 163 to Pr. 165, Pr. 611)

- Using Pr. 163 and Pr. 164, you can adjust the voltage rise time at a restart as shown on the left.
- Using Pr. 165, you can set the stall prevention operation level at a restart.
- Using Pr. 611, you can set the acceleration time until the set frequency is reached after automatic restart operation is performed besides the normal acceleration time.

REMARKS

- If the setting of Pr. 21 Acceleration/deceleration time increments is changed, the setting increments of Pr. 611 does not change.

CAUTION

- Changing the terminal assignment using Pr. 178 to Pr. 189 (input terminal function selection) may affect the other functions. Please make setting after confirming the function of each terminal.
- When automatic restart operation is selected, undervoltage protection (E.UVT) and instantaneous power failure protection (E.IPF) among the alarm output signals will not be provided at occurrence of an instantaneous power failure.
- The SU and FU signals are not output during a restart. They are output after the restart cushion time has elapsed.
- Automatic restart operation will also be performed after a reset made by an inverter reset is canceled or when a retry is made by the retry function.
- Automatic restart after instantaneous power failure function is invalid when load torque high speed frequency control (Pr. 270 = "2, 3") is set.

⚠ CAUTION

- ⚠ Provide mechanical interlocks for MC1 and MC2. The inverter will be damaged if the power supply is input to the inverter output section.
- ⚠ When automatic restart after instantaneous power failure has been selected, the motor and machine will start suddenly (after the reset time has elapsed) after occurrence of an instantaneous power failure. Stay away from the motor and machine. When you have selected automatic restart after instantaneous power failure function, apply in easily visible places the CAUTION stickers supplied to the installation guideline.

◆ Parameters referred to ◆

- Pr. 7 Acceleration time, Pr. 21 Acceleration/deceleration time increments Refer to page 165
- Pr. 13 Starting frequency Refer to page 167
- Pr. 65, Pr. 67 to Pr. 69 Retry function Refer to page 257
- Pr. 78 Reverse rotation prevention selection Refer to page 293
- Pr. 178 to Pr. 189 (input terminal function selection) Refer to page 219

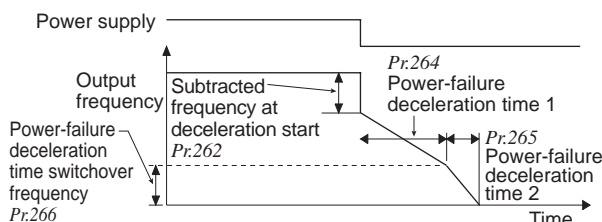
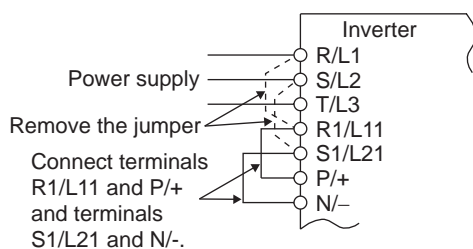


4.17.2 Power failure-time deceleration-to-stop function (Pr. 261 to Pr. 266, Pr. 294)

When a power failure or undervoltage occurs, the inverter can be decelerated to a stop or can be decelerated and re-accelerated to the set frequency.

Parameter Number	Name	Initial Value	Setting Range	Description	
261	Power failure stop selection	0	0	Coasting to stop When undervoltage or power failure occurs, the inverter output is shut off.	
			1	Without under voltage avoidance	When undervoltage or a power failure occurs, the inverter can be decelerated to a stop.
			11	With under voltage avoidance	
			2	Without under voltage avoidance	When undervoltage or a power failure occurs, the inverter can be decelerated to a stop. If power is restored during a power failure, the inverter accelerates again.
			12	With under voltage avoidance	
262	Subtracted frequency at deceleration start	3Hz	0 to 20Hz	Normally operation can be performed with the initial value unchanged. But adjust the frequency according to the magnitude of the load specifications (moment of inertia, torque).	
263	Subtraction starting frequency	50Hz	0 to 120Hz	When output frequency \geq Pr. 263 Decelerate from the speed obtained from output frequency minus Pr. 262. When output frequency $<$ Pr. 263 Decelerate from output frequency	
			9999	Decelerate from the speed obtained from output frequency minus Pr. 262.	
264	Power-failure deceleration time 1	5s	0 to 3600/ 360s *	Set a deceleration slope down to the frequency set in Pr. 266.	
265	Power-failure deceleration time 2	9999	0 to 3600/ 360s *	Set a deceleration slope below the frequency set in Pr. 266.	
			9999	Same slope as in Pr. 264	
266	Power failure deceleration time switchover frequency	50Hz	0 to 400Hz	Set the frequency at which the deceleration slope is switched from the Pr. 264 setting to the Pr. 265 setting.	
294	UV avoidance voltage gain	100%	0 to 200%	Adjust the response level during undervoltage avoidance operation. A larger setting will improve responsiveness to the bus voltage change. Since the regeneration amount is large when the inertia is large, decrease the setting value.	

* When the setting of Pr. 21 Acceleration/deceleration time increments is "0" (initial value), the setting range is "0 to 3600s" and the setting increments are "0.1s", and when the setting is "1", the setting range is "0 to 360s" and the setting increments are "0.01s"



(1) Connection and parameter setting

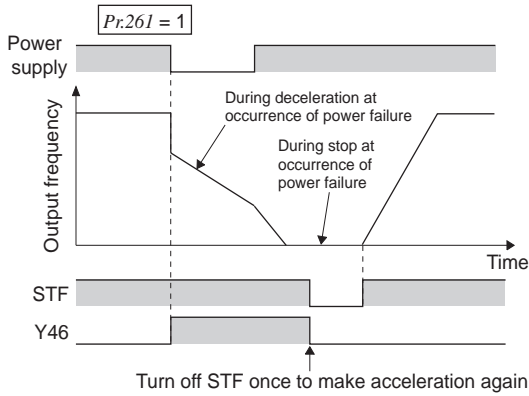
- Remove the jumpers across terminals R/L1-R1/L11 and across terminals S/L2-S1/L21, and connect terminals R1/L11 and P/+ and terminals S1/L21 and N/-.
- When Pr. 261 is set to "1" or "2", the inverter decelerates to a stop if an undervoltage or power failure occurs.

(2) Operation outline of deceleration to stop at power failure

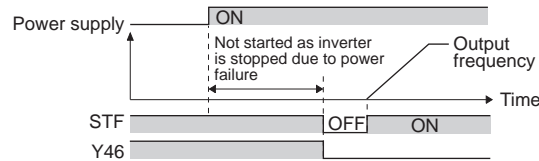
- If an undervoltage or power failure occurs, the output frequency is dropped by the frequency set in Pr. 262.
- Deceleration is made in the deceleration time set in Pr. 264. (The deceleration time setting is the time required from Pr. 20 Acceleration/deceleration reference frequency to a stop.)
- When the frequency is low and enough regeneration energy is not provided, for example, the deceleration time (slope) from Pr. 265 to a stop can be changed.

(3) Power failure stop mode (Pr. 261 = "1, 11")

- If power is restored during power failure deceleration, deceleration to a stop is continued and the inverter remains stopped. To restart, turn off the start signal once, then turn it on again.



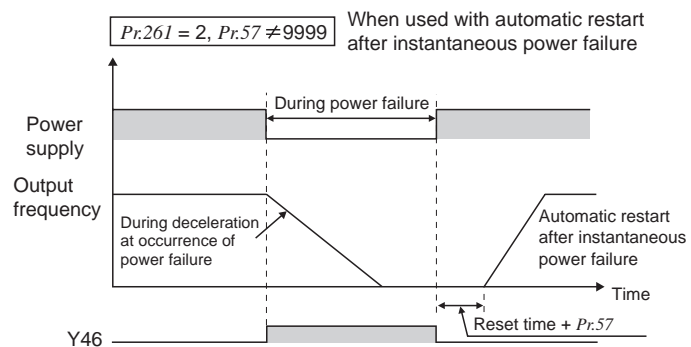
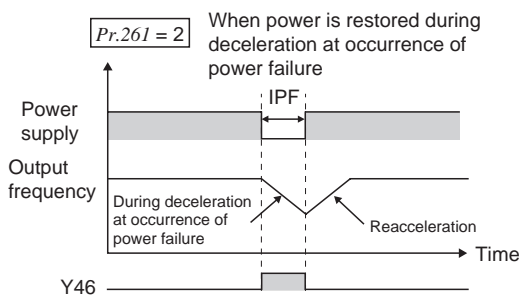
REMARKS



- When automatic restart after instantaneous power failure is selected (Pr. 57 ≠ "9999"), deceleration to stop function is invalid and the restart after instantaneous power failure operation is performed.
- After a power failure stop, the inverter will not start if the power supply is switched on with the start signal (STF/STR) input. After switching on the power supply, turn off the start signal once and then on again to make a start.

(4) Original operation continuation at instantaneous power failure function (Pr. 261 = "2, 12")

- When power is restored during deceleration after an instantaneous power failure, acceleration is made again up to the set frequency.
- When this function is used in combination with the automatic restart after instantaneous power failure operation, deceleration can be made at a power failure and acceleration can be made again after power restoration. When power is restored after a stop by deceleration at an instantaneous power failure, automatic restart operation is performed if automatic restart after instantaneous power failure has been selected (Pr. 57 ≠ "9999")



(5) Undervoltage avoidance function (Pr. 261 = "11, 12", Pr. 294)

- When Pr. 261 = "11, 12", the deceleration time is automatically adjusted (shortened) to prevent undervoltage from occurring during deceleration at an instantaneous power failure.
 - Adjust the slope of frequency decrease and response level with Pr. 294. A larger setting will improve responsiveness to the bus voltage.
- Since the regeneration amount is large when the inertia is large, decrease the setting value.

REMARKS

Undervoltage avoidance function is invalid during torque control by real sensorless vector control. When Pr. 261 = "11 (12)", the inverter operates in the same manner as when "1 (2)" is set in Pr. 261.



(6) Power failure deceleration signal (Y46 signal)

- After deceleration at an instantaneous power failure, inverter can not start even if the start command is given. In this case, check the power failure deceleration signal (Y46 signal). (at occurrence of input phase failure protection (E.ILF), etc.)
- The Y46 signal is on during deceleration at an instantaneous power failure or during a stop after deceleration at an instantaneous power failure.
- For the Y46 signal, set "46 (positive logic)" or "146 (negative logic)" in any of Pr. 190 to Pr. 196 (output terminal function selection) to assign the function.


REMARKS

When Pr. 872 = "1" (input phase failure protection provided) and Pr. 261 ≠ "0" (power failure stop function valid), input phase failure protection (E.ILF) is not provided but power-failure deceleration is made.


CAUTION


- When Pr. 30 Regenerative function selection = "2" (FR-HC, MT-HC, FR-CV is used), the power failure deceleration function is invalid.
- When the (output frequency - Pr. 262) at undervoltage or power failure occurrence is negative, the calculation result is regarded as 0Hz. (DC injection brake operation is performed without deceleration).
- During a stop or error, the power failure stop selection is not performed.
- Changing the terminal assignment using Pr. 190 to Pr. 196 (output terminal function selection) may affect the other functions. Please make setting after confirming the function of each terminal.


CAUTION


 If power-failure deceleration operation is set, some loads may cause the inverter to trip and the motor to coast. The motor will coast if enough regenerative energy is given from the motor.


◆ Parameters referred to ◆


Pr. 12 DC injection brake operation voltage  Refer to page 191

Pr. 20 Acceleration/deceleration reference frequency, Pr. 21 Acceleration/deceleration time increments  Refer to page 165

Pr. 30 Regenerative function selection  Refer to page 195

Pr. 57 Restart coasting time  Refer to page 250

Pr. 190 to Pr. 196 (output terminal function selection)  Refer to page 226

Pr. 872 Input phase failure protection selection  Refer to page 260

4.18 Operation setting at alarm occurrence

Purpose	Parameter that must be Set		Refer to Page
Recover by retry operation at alarm occurrence	Retry operatoin	Pr. 65, Pr. 67 to Pr. 69	257
Output alarm code from terminal	Alarm code output function	Pr. 76	259
Do not output input/output phase failure alarm	Input/output phase failure protection selection	Pr. 251, Pr. 872	260
The motor is decelerated to stop at motor thermal activation	Fault definition	Pr. 875	261

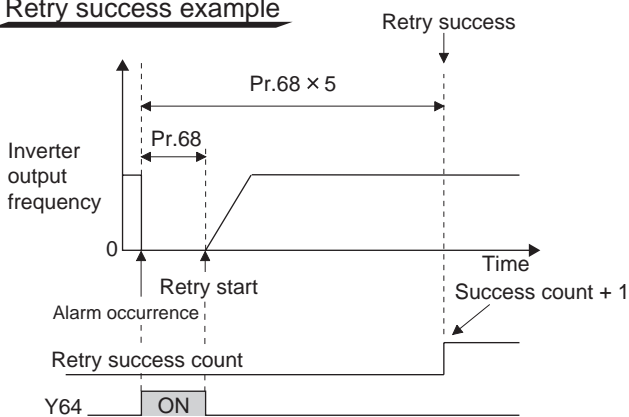
4.18.1 Retry function (Pr. 65, Pr. 67 to Pr. 69)

If an alarm occurs, the inverter resets itself automatically to restart. You can also select the alarm description for a retry.

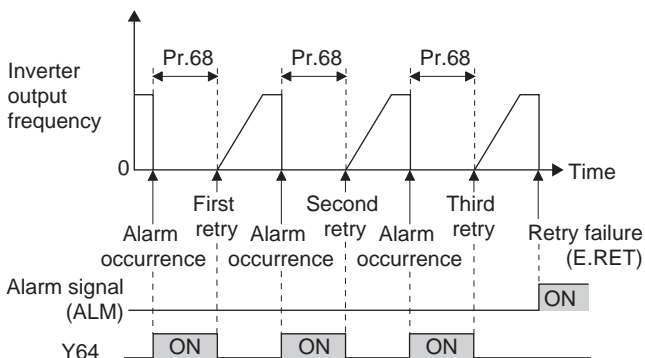
When automatic restart after instantaneous power failure is selected (*Pr. 57 Restart coasting time* ≠ "9999"), restart operation is performed at retry operation as at an instantaneous power failure. (Refer to *page 250* for the restart function.)

Parameter Number	Name	Initial Value	Setting Range	Description
65	Retry selection	0	0 to 5	An alarm for retry can be selected. (Refer to the next page)
67	Number of retries at alarm occurrence	0	0	No retry function
			1 to 10	Set the number of retries at alarm occurrence. An alarm output is not provided during retry operation.
			101 to 110	Set the number of retries at alarm occurrence. (The setting value of minus 100 is the number of retries.) An alarm output is provided during retry operation.
68	Retry waiting time	1s	0 to 10s	Set the waiting time from when an inverter alarm occurs until a retry is made.
69	Retry count display erase	0	0	Clear the number of restarts succeeded by retry.

Retry success example



Retry failure example



- Retry operation automatically resets an alarm and restarts the inverter at the starting frequency when the time set in *Pr. 68* elapses after the inverter stopped due to the alarm.
- Retry operation is performed by setting *Pr. 67* to any value other than "0". Set the number of retries at alarm occurrence in *Pr. 67*.
- When retries fail consecutively more than the number of times set in *Pr. 67*, a retry count excess alarm (E.RET) occurs, stopping the inverter output. (Refer to retry failure example)
- Use *Pr. 68* to set the waiting time from when an inverter alarm occurs until a retry is made in the range 0 to 10s. (When the setting value is "0s", the actual time is 0.1s.)
- Reading the *Pr. 69* value provides the cumulative number of successful restart times made by retry. The cumulative count in *Pr. 69* is increased by 1 when a retry is regarded as successful after normal operation continues without alarms occurring for more than four times longer than the time set in *Pr. 68* after a retry start.
- Writing "0" in *Pr. 69* clears the cumulative count.
- During a retry, the Y64 signal is on. For the Y64 signal, assign the function by setting "64 (positive logic)" or "164 (negative logic)" in any of *Pr. 190 to Pr. 196* (output terminal function selection).

CAUTION

When terminal assignment is changed using *Pr. 190 to Pr. 196*, the other functions may be affected. Please make setting after confirming the function of each terminal.


- Using *Pr. 65* you can select the alarm that will cause a retry to be executed. No retry will be made for the alarm not indicated. (Refer to *page 388* for the alarm description.)
- indicates the errors selected for retry.

Alarm Display for Retry	Pr. 65 Setting						Alarm Display for Retry	Pr. 65 Setting					
	0	1	2	3	4	5		0	1	2	3	4	5
E.OC1	●	●		●	●	●	E. PE	●				●	
E.OC2	●	●		●	●		E.MB1	●				●	
E.OC3	●	●		●	●	●	E.MB2	●				●	
E.OV1	●		●	●	●		E.MB3	●				●	
E.OV2	●		●	●	●		E.MB4	●				●	
E.OV3	●		●	●	●		E.MB5	●				●	
E.THM	●						E.MB6	●				●	
E.THT	●						E.MB7	●				●	
E.IPF	●				●		E.OS	●				●	
E.UVT	●				●		E.OSD	●				●	
E. BE	●				●		E.OD	●				●	
E. GF	●				●		E.PTC	●					
E.OHT	●						E.CDO	●				●	
E.OLT	●				●		E.SER	●				●	
E.OPT	●				●		E.ILF	●				●	
E.OP3	●				●								

CAUTION

- For a retry error, only the description of the first alarm is stored.
- When an inverter alarm is reset by the retry function at the retry time, the accumulated data of the electronic thermal relay function, regeneration converter duty etc. are not cleared. (Different from the power-on reset.)

 **CAUTION**

 When you have selected the retry function, stay away from the motor and machine unless required. They will start suddenly (after the reset time has elapsed) after occurrence of an alarm.
When you have selected the retry function, apply in easily visible places the CAUTION stickers supplied to the installation guideline.

◆ Parameters referred to ◆

Pr. 57 Restart coasting time  Refer to page 250

4.18.2 Alarm code output selection (Pr. 76)

At alarm occurrence, its description can be output as a 4-bit digital signal from the open collector output terminals. The alarm code can be read by a programmable controller, etc., and its corrective action can be shown on a display, etc.

Parameter Number	Name	Initial Value	Setting Range	Description
76	Alarm code output selection	0	0	Without alarm code output
			1	With alarm code output (Refer to the following table)
			2	Alarm code output at alarm occurrence only (Refer to the following table)

- By setting Pr. 76 to "1" or "2", the alarm code can be output to the output terminals.
- When the setting is "2", an alarm code is output at only alarm occurrence, and during normal operation, the terminals output the signals assigned to Pr. 190 to Pr. 196 (output terminal function selection).
- The following table indicates alarm codes to be output. (0: output transistor off, 1: output transistor on)


Operation Panel Indication (FR-DU07)	Output of Output Terminals				Alarm Code
	SU	IPF	OL	FU	
Normal *	0	0	0	0	0
E.OC1	0	0	0	1	1
E.OC2	0	0	1	0	2
E.OC3	0	0	1	1	3
E.OV1 to E.OV3	0	1	0	0	4
E.THM	0	1	0	1	5
E.THT	0	1	1	0	6
E.IPF	0	1	1	1	7
E.UVT	1	0	0	0	8
E.FIN	1	0	0	1	9
E. BE	1	0	1	0	A
E. GF	1	0	1	1	B
E.OHT	1	1	0	0	C
E.OLT	1	1	0	1	D
E.OPT	1	1	1	0	E
E.OP3	1	1	1	0	E
Other than the above	1	1	1	1	F

* When Pr. 76 = "2", the output terminals output the signals assigned to Pr. 190 to Pr. 196 .

CAUTION

- When a value other than "0" is set in Pr. 76
When an alarm occurs, the output terminals SU, IPF, OL, FU output the signal in the above table, independently of the Pr. 190 to Pr. 196 (output terminal function selection) settings. Please be careful when inverter control setting has been made with the output signals of Pr. 190 to Pr. 196.

◆ Parameters referred to ◆

Pr. 190 to Pr. 196 (output terminal function selection)  Refer to page 226

4.18.3 Input/output phase failure protection selection (Pr. 251, Pr. 872)

You can disable the output phase failure protection function that stops the inverter output if one of the inverter output side (load side) three phases (U, V, W) opens.
The input phase failure protection function of the inverter input side (R/L1, S/L2, T/L3) can be made valid.

Parameter Number	Name	Initial Value	Setting Range	Description
251	Output phase failure protection selection	1	0	Without output phase failure protection
			1	With output phase failure protection
872	Input phase failure protection selection	0	0	Without input phase failure protection
			1	With input phase failure protection

(1) Output phase failure protection selection (Pr. 251)

- When Pr. 251 is set to "0", output phase failure protection (E.LF) becomes invalid.

(2) Input phase failure protection selection (Pr. 872)

- When Pr. 872 is set to "1", input phase failure protection (E.ILF) is provided if a phase failure of one phase among the three phases is detected for 1s continuously.


REMARKS

If an input phase failure has occurred when Pr. 872 = "1" (input phase failure protected) and a value other than "0" (power failure stop function valid) is set in Pr. 261, input phase failure protection (E.ILF) is not provided but power-failure deceleration is made.

CAUTION

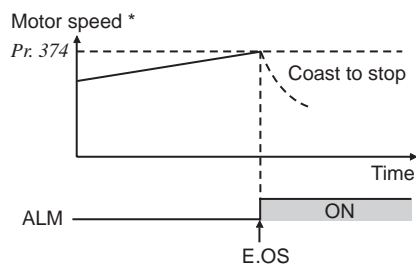
- When an input phase failure occurs in the R/L1 and S/L2 phases, input phase failure protection is not provided but the inverter output is shut off.
- If an input phase failure continues for a long time, the converter section and capacitor lives of the inverter will be shorter.

◆ Parameters referred to ◆

Pr. 261 Power failure stop selection  Refer to page 254

4.18.4 Overspeed detection (Pr. 374)

Parameter Number	Name	Initial Value	Setting Range	Description
374	Overspeed detection level	140Hz	0 to 400Hz	When the motor speed reaches or exceeds the speed set in Pr. 374 during encoder feedback control, real sensorless vector control, or vector control, over speed (E.OS) occurs and stops the inverter output.



* The output frequency and Pr. 374 are compared during real sensorless vector control.

4.18.5 Encoder signal loss detection (Pr. 376)

When the encoder signal is lost during encoder feedback control, orientation control, or vector control, signal loss detection (E.ECT) is activated to stop the inverter output.

Parameter Number	Name	Initial Value	Setting Range	Description
376	Encoder signal loss detection enable/disable selection	0	0	Signal loss detection is invalid
			1	Signal loss detection is valid

* Setting can be made only when the FR-A7AP is mounted.

4.18.6 Fault definition (Pr. 875)

When motor thermal protection is activated, an alarm can be output after the motor decelerates to a stop.

Parameter Number	Name	Initial Value	Setting Range	Description
875	Fault definition	0	0	Normal operation
			1	The motor decelerates to stop when motor thermal protection is activated.

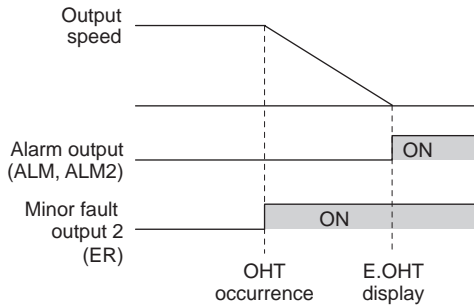
(1) Output is immediately shutoff at occurrence of any alarm (setting value is "0", initial value)

- Output is immediately shutoff and an alarm output is provided at alarm occurrence.

(2) The motor decelerates to stop when motor thermal protection is activated (setting value is "1")

- When external thermal relay *E.OHT* (OHT), motor overload shutoff (electronic thermal relay function) *E.FHN* (THM) or PTC thermistor *E.PTC* (PTC) is activated, turning on the minor fault output 2 signal (ER) starts the motor to decelerate and an alarm is provided after deceleration to a stop.
- When the ER signal turns on, decrease load, etc. to allow the inverter to decelerate.
- At occurrence of an alarm other than OHT, THM and PTC, output is immediately shut off and an alarm is output.
- Set "97 (positive logic) or 197 (negative logic)" in *Pr. 190 to Pr. 196 (output terminal function selection)* and assign the ER signal to the output terminal.
- This function is invalid during position control.

When Pr.875 = "1"



CAUTION

- The value "0" is recommended for the system in which the motor continues running without deceleration due to a large torque on the load side.
- Changing the terminal assignment using *Pr. 190 to Pr. 196 (output terminal function selection)* may affect the other functions. Make setting after confirming the function of each terminal.

◆ Parameters referred to ◆

Pr. 190 to Pr. 196 (output terminal function selection) Refer to page 226

4.19 Energy saving operation and energy saving monitor

Purpose	Parameter that must be Set		Refer to Page
Energy saving operation	Energy saving operation	Pr. 60	262
How much energy can be saved	Energy saving monitor	Pr. 52, Pr. 54, Pr. 158, Pr. 891 to Pr. 899	263

4.19.1 Energy saving control (Pr. 60)

Without a fine parameter setting, the inverter automatically performs energy saving control. This inverter is optimum for fan and pump applications.

Parameter Number	Name	Initial Value	Setting Range	Description
60	Energy saving control selection*	0	0	Normal operation mode
			4	Energy saving operation mode

* When parameter is read using the FR-PU04, a parameter name different from an actual parameter is displayed.

Energy saving operation mode (setting "4")

- When "4" is set in *Pr. 60*, the inverter operates in the energy saving operation mode.
- In the energy saving operation mode, the inverter automatically controls the output voltage to minimize the inverter output voltage during a constant operation.

REMARKS

- For applications a large load torque is applied to or machines repeat frequent acceleration/deceleration, an energy saving effect is not expected.

CAUTION

- When the energy saving mode is selected, deceleration time may be longer than the setting value. Since overvoltage alarm tends to occur as compared to the constant torque load characteristics, set a longer deceleration time.
- The energy saving operation mode functions only under V/F control. When the advanced magnetic flux vector control, real sensorless vector control and vector control are selected, the energy saving mode is invalid.
- Since output voltage is controlled in energy saving operation mode and by optimum excitation control, output current may slightly increase.

4.19.2 Energy saving monitor (Pr. 891 to Pr. 899)

From the power consumption estimated value during commercial power supply operation, the energy saving effect by use of the inverter can be monitored/output.

Parameter Number	Name	Initial Value	Setting Range	Description	
52	DU/PU main display data selection	0 (output frequency)	0, 5 to 14, 17 to 20, 22 to 25, 32 to 35, 50 to 57, 100	50:Power saving monitor 51:Cumulative saving power monitor	
54	CA terminal function selection	1 (output frequency)	1 to 3, 5 to 14, 17, 18, 21, 24, 32 to 34, 50, 52, 53, 70	50:Power saving monitor	
158	AM terminal function selection				
891	Cumulative power monitor digit shifted times	9999	0 to 4	Set the number of times to shift the cumulative power monitor digit Clamp the monitoring value at maximum.	
			9999	No shift Clear the monitor value when it exceeds the maximum value.	
892	Load factor	100%	30 to 150%	Set the load factor for commercial power-supply operation. Multiplied by the power consumption rate (page 266) during commercial power supply operation.	
893	Energy saving monitor reference (motor capacity)	Applied motor capacity	01800 or less	0.1 to 55kW	Set the motor capacity (pump capacity). Set when calculating power saving rate, power saving rate average value, commercial operation power.
			02160 or more	0 to 3600kW	
894	Control selection during commercial power-supply operation	0	0	Discharge damper control (fan)	
			1	Inlet damper control (fan)	
			2	Valve control (pump)	
			3	Commercial power-supply drive (fixed value)	
895	Power saving rate reference value	9999	0	Consider the value during commercial power-supply operation as 100%	
			1	Consider the Pr. 893 setting as 100%.	
			9999	No function	
896	Power unit cost	9999	0 to 500	Set the power unit cost. Display the power saving amount charge on the energy saving monitor.	
			9999	No function	
897	Power saving monitor average time	9999	0	Average for 30 minutes	
			1 to 1000h	Average for the set time	
			9999	No function	
898	Power saving cumulative monitor clear	9999	0	Cumulative monitor value clear	
			1	Cumulative monitor value hold	
			10	Totalization continued (communication data upper limit 9999)	
			9999	Totalization continued (communication data upper limit 65535)	
899	Operation time rate (estimated value)	9999	0 to 100%	Use for calculation of annual power saving amount. Set the annual operation ratio (consider 365 days × 24hr as 100%).	
			9999	No function	

The above parameters allow its setting to be changed during operation in any operation mode even if "0" (initial value) is set in Pr. 77 Parameter write selection.

(1) Energy saving monitor list

- The following provides the items that can be monitored by the power saving monitor (Pr. 52, Pr. 54, Pr. 158 = "50"). (Only 1) power saving and 3) power saving average value can be output to Pr. 54 (terminal CA) and Pr. 158 (terminal AM))

	Energy Saving Monitor Item	Description and Formula	Increments	Parameter Setting			
				Pr. 895	Pr. 896	Pr. 897	Pr. 899
1)	Power saving	Difference between the estimated value of power necessary for commercial power supply operation and the input power calculated by the inverter Power during commercial power supply operation – input power monitor	0.01kW/ 0.1kW *3	9999			
2)	Power saving rate	Ratio of power saving on the assumption that power during commercial power supply operation is 100% 1) Power saving $\frac{\text{Power during commercial power supply operation}}{\text{Power during commercial power supply operation}} \times 100$	0.1%	0	—	9999	
		Ratio of power saving on the assumption that Pr. 893 is 100% 1) Power saving $\frac{\text{Pr. 893}}{\text{Pr. 893}} \times 100$		1			
3)	Power saving average value	Average value of power saving amount per hour during predetermined time (Pr. 897) $\frac{\sum (1) \text{ Power saving} \times \Delta t}{\text{Pr. 897}}$	0.01kWh /0.1kWh *3	9999			—
4)	Power saving rate average value	Ratio of power saving average value on the assumption that the value during commercial power supply operation is 100% $\frac{\sum (2) \text{ Power saving rate} \times \Delta t}{\text{Pr. 897}} \times 100$	0.1%	0	9999		0 to 1000h
		Ratio of power saving average value on the assumption that Pr. 893 is 100% 3) Power saving average value $\frac{\text{Pr. 893}}{\text{Pr. 893}} \times 100$		1			
5)	Power saving amount average value	Power saving average value represented in terms of charge 3) Power saving average value \times Pr. 896	0.01/0.1 *3	—	0 to 500		

- The following shows the items which can be monitored by the cumulative saving power monitor (Pr. 52 = "51"). (The monitor value of the cumulative monitor can be shifted to the right with Pr. 891 Cumulative power monitor digit shifted times.)

	Energy Saving Monitor Item	Description and Formula	Increments	Parameter Setting			
				Pr. 895	Pr. 896	Pr. 897	Pr. 899
6)	Power saving amount	Power saving is added up per hour. $\sum (1) \text{ Power saving} \times \Delta t$	0.01kWh /0.1kWh *1*2*3	—	9999		9999
7)	Power saving amount charge	Power saving amount represented in terms of charge 6) Power saving amount \times Pr. 896	0.01/0.1 *1*3	—	0 to 500		
8)	Annual power saving amount	Estimated value of annual power saving amount $\frac{\text{6) Power saving amount}}{\text{Operation time during accumulation of power saving amount}} \times 24 \times 365 \times \frac{\text{Pr. 899}}{100}$	0.01kWh /0.1kWh *1*2*3	—	9999	—	0 to 100%
9)	Annual power saving amount charge	Annual power saving amount represented in terms of charge 8) Annual power saving amount \times Pr. 896	0.01/0.1 *1*3	—	0 to 500		

*1 For communication (RS-485 communication, communication option), the display increments are 1. For example, the communication data is "10" for "10.00kWh".
 *2 When using the parameter unit (FR-PU04/FR-PU07), "kW" is displayed.
 *3 The setting depends on capacities. (01800 or less/02160 or more)

REMARKS

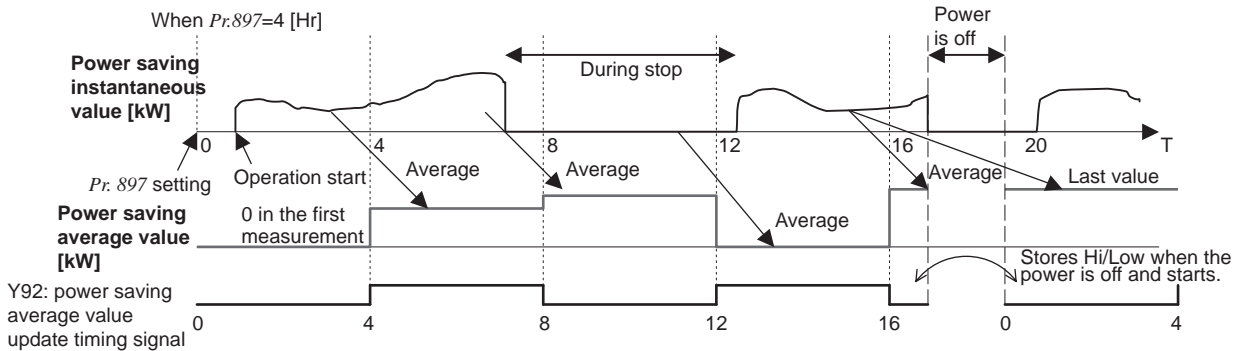
- As the operation panel (FR-DU07) is 4-digit display, it displays in 0.1 increments since a carry occurs, e.g. "100.0", when a monitor value in 0.01 increments exceeds "99.99". The maximum display is "9999".
- As the operation panel (FR-PU04/FR-PU07) is 5-digit display, it displays in 0.1 increments since a carry occurs, e.g. "1000.0", when a monitor value in 0.01 increments exceeds "999.99". The maximum display is "99999".
- The upper limit of communication (RS-485 communication, communication option) is "65535" when Pr. 898 Power saving cumulative monitor clear = "9999". The upper limit of 0.01 increments monitor is "655.35" and that of 0.1 increments monitor is "6553.5".

(2) Power saving instantaneous monitor (1) power savings, 2) power saving rate)

- On the power saving monitor (1)), an energy saving effect as compared to the power consumption during commercial power supply operation (estimated value) is calculated and displays on the main monitor.
- In the following case, the power saving monitor (1)) is "0".
 - (a) Calculated values of the power saving monitor are negative values.
 - (b) During the DC injection brake operation
 - (c) Motor is not connected (output current monitor is 0A)
- On the power saving rate monitor (2)), setting "0" in *Pr. 895 Power saving rate reference value* displays the power saving rate on the assumption that power (estimated value) during commercial power supply operation is 100%. When *Pr. 895 = "1"*, the power saving rate on the assumption that the *Pr. 893 Energy saving monitor reference (motor capacity)* value is 100% is displayed.

(3) Power saving average value monitor (3) power saving average value, 4) average power saving rate average value, 5) power saving amount average value)

- Power saving average value monitor can be displayed when a value other than "9999" is set in *Pr. 897 Power saving monitor average time*.
- The power saving average value monitor (3)) displays the average value per unit time of the power saving amount at averaging.
- The average value is updated every time an average time has elapsed after the *Pr. 897* setting is changed, power is turned on or the inverter is reset, assuming as a starting point. The power savings average value update timing signal (Y92) is inverted every time the average value is updated.



- The power saving average value monitor (4)) displays the average value per unit time of power saving rate (2)) at every average time by setting "0" or "1" in *Pr. 895 Power saving rate reference value*.
- By setting the charge (power unit) per 1kWh of power amount in *Pr. 896 Power unit cost*, the power saving amount average value monitor (5)) displays the charge relative to the power saving average value (power saving average value (3)) × *Pr. 896*.

(4) Cumulative saving power monitor (6) power saving amount, 7) power saving amount charge, 8) annual power saving amount, 9) annual power saving amount charge)

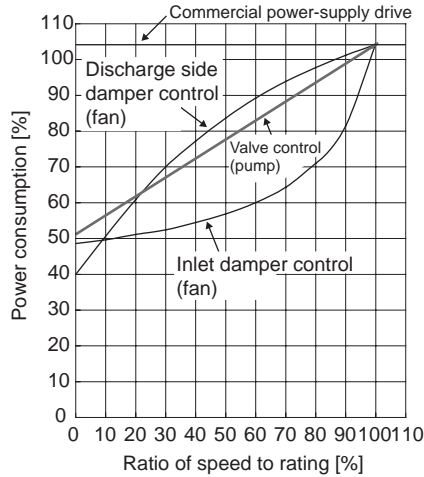
- On the cumulative saving power monitor, the monitor data digit can be shifted to the right by the number of *Pr. 891 Cumulative power monitor digit shifted times* settings. For example, if the cumulative power value is 1278.56kWh when *Pr. 891 = "2"*, the PU/DU display is 12.78 (display in 100kWh increments) and the communication data is 12. If the maximum value is exceeded at *Pr. 891 = "0 to 4"*, the power is clamped at the maximum value, indicating that a digit shift is necessary. If the maximum value is exceeded at *Pr. 891 = "9999"*, the power returns to 0 and is recounted. The other monitors are clamped at the display maximum value.
- The cumulative saving power monitor (6)) can measure the power amount during a predetermined period. Measure according to the following steps
 - 1) Write "9999" or "10" in *Pr. 898 Power saving cumulative monitor clear*.
 - 2) Write "0" in *Pr. 898* at measurement start timing to clear the cumulative saving power monitor value and start totalization of power saving.
 - 3) Write "1" in *Pr. 898* at measurement end timing to hold the cumulative saving power monitor value.

REMARKS

- The cumulative saving power monitor value is stored every hour. Hence, when the power supply is switched on again within one hour after it was switched off, the previously stored monitor value is displayed and totalization starts. (The cumulative monitor value may decrease)

(5) Power estimated value of commercial power supply operation (Pr. 892, Pr. 893, Pr. 894)

- Select the commercial power supply operation pattern from among the four patterns of discharge damper control (fan), inlet damper control (fan), valve control (pump) and commercial power supply drive, and set it to Pr. 894 *Control selection during commercial power-supply operation*.
- Set the motor capacity (pump capacity) in Pr. 893 *Energy saving monitor reference (motor capacity)*.
- The power consumption rate (%) during commercial power supply operation is estimated from the operation pattern and the ratio of speed to rating (current output frequency/Pr. 3 Base frequency) in the following chart.



- From the motor capacity set in Pr. 893 and Pr. 892 *Load factor*, the power estimated value (kW) during commercial power supply operation is found by the following formula.

<p>Power estimated value (kW) during commercial power supply operation</p> $= Pr. 893 \text{ (kW)} \times \frac{\text{Power consumption (\%)}}{100} \times \frac{Pr. 892 \text{ (\%)}}{100}$

REMARKS

- Since the speed does not increase above the power supply frequency in commercial power supply operation, it becomes constant when the output frequency rises to or above Pr. 3 *Base frequency*.

(6) Annual power saving amount, power charge (Pr. 899)

- By setting the operation time rate [%] (ratio of time when the motor is actually driven by the inverter during a year) in Pr. 899, the annual energy saving effect can be predicted.
- When the operation pattern is predetermined to some degree, the estimated value of the annual power saving amount can be found by measurement of the power saving amount during a given measurement period.
- Refer to the following and set the operation time rate.
 - 1) Predict the average time [h/day] of operation in a day.
 - 2) Find the annual operation days [days/year]. (Monthly average operation days × 12 months)
 - 3) Calculate the annual operation time [h/year] from 1) and 2).

$$\text{Annual operation time (h/year)} = \text{Average time (h/day)} \times \text{Operation days (days/year)}$$

- 4) Calculate the operation time rate and set it to Pr. 899.

$$\text{Operation time rate (\%)} = \frac{\text{Annual operation time (h/year)}}{24 \text{ (h/day)} \times 365 \text{ (days/year)}} \times 100(\%)$$

REMARKS

- Operation time rate setting example: When operation is performed for about 21 hours per day and the monthly average operation days are 16 days

Annual operation time = 21 (h/day) × 16 (days/month) × 12 months = 4032 (h/year)

Operation time rate (%) = $\frac{4032 \text{ (h/year)}}{24 \text{ (h/day)} \times 365 \text{ (days/year)}} \times 100(\%) = \underline{46.03\%}$

Set 46.03% to Pr. 899.

- Calculate the annual power saving amount from Pr. 899 Operation time rate (estimated value) and power saving average value monitor

$$\text{Annual power saving amount (kWh/year)} = \frac{\text{Power saving average value (kW) during totalization when Pr. 898 = 10 or 9999}}{\frac{\text{Pr. 899}}{100}} \times 24\text{h} \times 365 \text{ days}$$

- The annual power saving amount charge can be monitored by setting the power charge per hour in Pr. 896 Power unit cost.

Calculate the annual power saving amount charge in the following method.

$$\text{Annual power saving amount charge} = \text{Annual power saving amount (kWh/year)} \times \text{Pr. 896}$$

REMARKS

In the regeneration mode, make calculation on the assumption that "power saving = power during commercial power supply operation (input power = 0)".

◆ Parameters referred to ◆

- Pr. 3 Base frequency Refer to page 151
- Pr. 52 DU/PU main display data selection Refer to page 240
- Pr. 54 CA terminal function selection Refer to page 240
- Pr. 158 AM terminal function selection Refer to page 240



4.20 Motor noise, noise reduction

4.20.1 PWM carrier frequency and Soft-PWM control (Pr. 72, Pr. 240, Pr. 260)

You can change the motor sound.

Parameter Number	Name	Initial Value	Setting Range		Description
72 *1	PWM frequency selection	2	01800 or less	0 to 15	PWM carrier frequency can be changed. The setting displayed is in [kHz]. Note that 0 indicates 0.7kHz, 15 indicates 14.5kHz and 25 indicates 2.5kHz.
			02160 or more	0 to 6, 25	
240 *1	Soft-PWM operation selection	1	0		Soft-PWM is invalid
			1		When Pr: 72 = "0 to 5" ("0 to 4" for 02160 or more), soft-PWM is valid.
260 *2	PWM frequency automatic switchover	1	0		PWM carrier frequency is constant independently of load. When the carrier frequency is set to 3kHz or more (Pr: 72 ≥ "3"), perform continuous operation at less than 85% of the rated inverter current.
			1		Decreases PWM carrier frequency automatically when load increases.

*1 The above parameters allow its setting to be changed during operation in any operation mode even if "0" (initial value) is set in Pr. 77 Parameter write selection.

*2 Reading and writing are enabled when "0 (SLD) or 1 (LD)" is set in Pr. 570.

(1) PWM carrier frequency changing (Pr. 72)

- You can change the PWM carrier frequency of the inverter.
- Changing the PWM carrier frequency produces an effect on avoiding the resonance frequency of a mechanical system or motor or on reducing noise or leakage current generated from the inverter.
- Carrier frequencies under real sensorless vector control or vector control are as shown below.

Pr. 72 Setting		Carrier Frequencies (kHz)
01800 or less	02160 or more	
0 to 5	0 to 5	2
6 to 9	6	6
10 to 13	—	10
14, 15	—	14

- When using an option sine wave filter (MT-BSL/BSC) for the 02160 or more, set "25" in Pr: 72 (2.5kHz).

REMARKS

When "25" (available with the 02160 or more) is set in Pr: 72, V/F control is forcibly selected.

(2) Soft-PWM control (Pr. 240)

- Soft-PWM control is a control system that changes the motor noise from a metallic tone into an unoffending complex tone.

(3) PWM carrier frequency automatic reduction function (Pr. 260)

For PWM carrier frequency automatic reduction function, the following should be noted.

Multiple rating (Pr. 570)		PWM carrier frequency automatic reduction
0	SLD	valid
1	LD	Pr. 260 = "0" : invalid Pr. 260 = "1" (initial setting) : valid
2 (initial setting)	ND	invalid
3	HD	invalid


- When continuous operation is performed at 85% or more of the inverter rated current (the parenthesized value of the rated output current on *page 420* or more) with the carrier frequency of the inverter set to 3kHz or more (Pr. 72 \geq "3"), the carrier frequency is automatically reduced to 2kHz to protect the output transistor of the inverter. (Motor noise increases, but it is not a failure)
- When Pr. 260 is set to "0", the carrier frequency becomes constant (Pr. 72 setting) independently of the load, making the motor sound uniform.


Note that continuous operation should be performed at less than 85% of the inverter rating.

CAUTION

- Decreasing the PWM carrier frequency reduces inverter-generated noise and leakage current, but increases motor noise.
- When PWM carrier frequency is set to 1kHz or less (Pr. 72 \leq 1), fast response current limit may function prior to stall prevention operation due to increase in harmonic currents depending on the motor, resulting in insufficient torque. In such case, set fast-response current limit operation invalid using Pr. 156 *Stall prevention operation selection*.

◆ Parameters referred to ◆

Pr. 156 *Stall prevention operation selection*  Refer to page 142

Pr. 570 *Multiple rating setting*  Refer to page 147



4.21 Frequency/torque setting by analog input (terminal 1, 2, 4)

Purpose	Parameter that must be Set		Refer to Page
Function assignment of analog input terminal	Terminal 1 and terminal 4 function assignment	Pr. 858, Pr. 868	270
Selection of voltage/current input (terminal 1, 2, 4) Perform forward/reverse rotation by analog input	Analog input selection	Pr. 73, Pr. 267	271
Adjust the main speed by analog auxiliary input	Analog auxiliary input and compensation (added compensation and override function)	Pr. 73, Pr. 242, Pr. 243, Pr. 252, Pr. 253	274
Noise elimination at the analog input	Input filter	Pr. 74, Pr. 822, Pr. 826, Pr. 832, Pr. 836, Pr. 849	276
Adjustment (calibration) of analog input frequency and voltage (current)	Bias and gain of frequency setting voltage (current)	Pr. 125, Pr. 126, Pr. 241, C2 to C7 (Pr. 902 to Pr. 905) C12 to C15 (Pr. 917 to Pr. 918)	277
Adjustment (calibration) of analog input torque and voltage (current)	Bias and gain of torque setting voltage (current)	Pr. 241, C16 to C19 (Pr. 919 to Pr. 920), C38 to C41 (Pr. 932 to Pr. 933)	282
Analog input (current) status check	4mA input check	Pr. 573	287

4.21.1 Function assignment of analog input terminal (Pr. 858, Pr. 868)

Function assignment of terminal 1 and terminal 4 of analog input can be selected and changed by parameter.

Parameter Number	Name	Initial Value	Setting Range	Description
858	Terminal 4 function assignment	0	0, 1, 4, 9999	Select the terminal 4 function. (Refer to the following list)
868	Terminal 1 function assignment	0	0 to 6, 9999	Select the terminal 1 function. (Refer to the following list)

For the terminal 1 and terminal 4 used for analog input, frequency (speed) command, magnetic flux command, torque command, etc. can be selected.

Functions change according to the control mode as in the table below.

● Terminal 1 function according to control

Pr. 868 Setting	V/F Control, Advanced Magnetic Flux Vector Control	Real Sensorless Vector Control, Vector Control		Vector Control
		Speed control	Torque control	Position control
0 (Initial value)	Frequency setting auxiliary	Speed setting auxiliary	Speed limit auxiliary	—
1	—	Magnetic flux command	Magnetic flux command	Magnetic flux command
2	—	Regenerative torque limit (Pr. 810 = 1)	—	Regenerative torque limit (Pr. 810 = 1)
3	—	—	Torque command (Pr. 804 = 0)	—
4	Stall prevention operation level input (Pr. 810 = 1)	Torque limit (Pr. 810 = 1)	Torque command (Pr. 804 = 0)	Torque limit (Pr. 810 = 1)
5	—	—	Forward/reverse rotation speed limit (Pr. 807 = 2)	—
6	—	Torque bias input (Pr. 840 = 1, 2, 3)	—	—
9999	—	—	—	—

● Terminal 4 function according to control

Pr. 858 Setting	V/F Control, Advanced Magnetic Flux Vector Control	Real Sensorless Vector Control, Vector Control		Vector Control
		Speed control	Torque control	Position control
0 (Initial value)	Frequency command (AU signal-ON)	Speed command (AU signal-ON)	Speed limit (AU signal-ON)	—
1	—	Magnetic flux command	Magnetic flux command	Magnetic flux command
4	Stall prevention operation level input (Pr. 810 = 1)	Torque limit (Pr. 810 = 1)	—	Torque limit (Pr. 810 = 1)
9999	—	—	—	—

— :No function

REMARKS

- When "4" is set in both Pr. 868 and Pr. 858, terminal 1 is made valid and terminal 4 has no function.
- When "4" (stall prevention/torque limit) is set in Pr. 868, functions of terminal 4 become valid independently of whether the AU terminal is on or off.

◆ **Parameters referred to** ◆

Advanced magnetic flux vector control Refer to page 138
 Real sensorless vector control Refer to page 85
 Pr. 804 Torque command source selection Refer to page 115
 Pr. 807 Speed limit selection Refer to page 117
 Pr. 810 Torque limit input method selection Refer to page 92

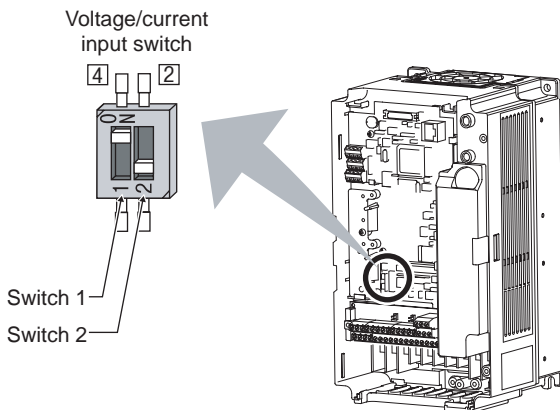
4.21.2 Analog input selection (Pr. 73, Pr. 267)

You can select the function that switches between forward rotation and reverse rotation according to the analog input terminal selection specifications, the override function and the input signal polarity.

Parameter Number	Name	Initial Value	Setting Range	Description	
				Voltage/current input switch	
73	Analog input selection	1	0 to 5, 10 to 15	Switch 2 - OFF (initial status)	You can select the input specifications of terminal 2 (0 to 5V, 0 to 10V, 0 to 20mA) and input specifications of terminal 1 (0 to ±5V, 0 to ±10V). Override and reversible operation can be selected.
			6, 7, 16, 17	Switch 2 - ON	
267	Terminal 4 input selection	0	0	Switch 1 - ON (initial status)	Terminal 4 input 0 to 20mA
			1	Switch 1 - OFF	Terminal 4 input 0 to 5V
			2		Terminal 4 input 0 to 10V

(1) Selection of analog input specifications

- For the terminals 2, 4 used for analog input, voltage input (0 to 5V, 0 to 10V) or current input (0 to 20mA) can be selected.
- Change parameters (Pr.73, Pr.267) and a voltage/current input switch (switch 1, 2) to change input specifications.



Switch 1: Terminal 4 input
 ON: Current input (initial status)
 OFF: Voltage input

Switch 2: Terminal 2 input
 ON: Current input
 OFF: Voltage input (initial status)

- Rated specifications of terminal 2 and 4 change according to the voltage/current input switch setting.
- Voltage input: Input resistance $10k\Omega \pm 1k\Omega$, Maximum permissible voltage 20VDC
 Current input: Input resistance $245\Omega \pm 5\Omega$, Maximum permissible current 30mA

CAUTION

- Set Pr. 73, Pr. 267, and a voltage/current input switch correctly, then input an analog signal in accordance with the setting. Incorrect setting as in the table below may result in failure. Incorrect settings other than below can cause abnormal operation.

Setting Causing Failure		Operation
Switch setting	Terminal input	
ON (Current input)	Voltage input	This could lead to damage to the analog signal output circuit of external devices. (electrical load in the analog signal output circuit of external devices increases)
OFF (Voltage input)	Current input	This could lead to damage to the input circuit of the inverter. (output power in the analog signal output circuit of external devices increases)

Frequency/torque setting by analog input (terminal 1, 2, 4)



· Refer to the following table and set *Pr. 73* and *Pr. 267*. (indicates the main speed setting)

<i>Pr. 73</i> Setting	Terminal 2 Input	Terminal 1 Input	Terminal 4 Input	<i>Pr. 73</i> Setting	Compensation Input Terminal and Compensation Method	Polarity Reversible
0	0 to 10V	0 to ±10V	When the AU signal is off ×	0	Terminal 1 Added compensation	No (Indicates that a frequency command signal of negative polarity is not accepted.)
1 (initial value)	0 to 5V	0 to ±10V				
2	0 to 10V	0 to ±5V				
3	0 to 5V	0 to ±5V				
4	0 to 10V	0 to ±10V				
5	0 to 5V	0 to ±5V		According to <i>Pr. 267</i> setting when the AU signal is on 0: 4 to 20mA (initial value) 1: 0 to 5V 2: 0 to 10V	Terminal 2 Override	Yes
6	0 to 20mA	0 to ±10V				
7	0 to 20mA	0 to ±5V				
10	0 to 10V	0 to ±10V				
11	0 to 5V	0 to ±10V				
12	0 to 10V	0 to ±5V			Terminal 1 Added compensation	No (Indicates that a frequency command signal of negative polarity is not accepted.)
13	0 to 5V	0 to ±5V				
14	0 to 10V	0 to ±10V				
15	0 to 5V	0 to ±5V				
16	0 to 20mA	0 to ±10V				
17	0 to 20mA	0 to ±5V			Terminal 2 Override	Yes
0	×	0 to ±10V				
1 (initial value)		0 to ±10V				
2		0 to ±5V				
3		0 to ±5V				
4		0 to 10V	×			
5	0 to 5V	×	Terminal 1 Added compensation		No (Indicates that a frequency command signal of negative polarity is not accepted.)	
6	×	0 to ±10V				
7		0 to ±5V				
10		0 to ±10V				
11		0 to ±10V				
12		0 to ±5V				
13	0 to ±5V	×	Terminal 2 Override	Yes		
14	0 to 10V					
15	0 to 5V					
16	0 to ±10V					
17	0 to ±5V					

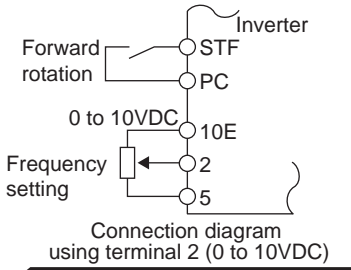
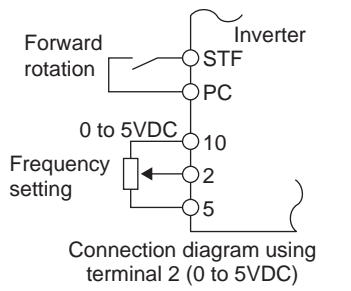
· Set the voltage/current input switch referring to the table below.

Terminal 2 Input Specifications	<i>Pr. 73</i> Setting	Switch 2	Terminal 4 Input Specifications	<i>Pr. 267</i> Setting	Switch 1
Voltage input (0 to 10V)	0, 2, 4, 10, 12, 14	OFF	Voltage input (0 to 10V)	2	OFF
Voltage input (0 to 5V)	1 (initial value), 3, 5, 11, 13, 15	OFF	Voltage input (0 to 5V)	1	OFF
Current input (0 to 20mA)	6, 7, 16, 17	ON	Current input (0 to 20mA)	0 (initial value)	ON

indicates an initial value.

CAUTION

- Turn the AU signal on to make terminal 4 valid.
- Match the setting of parameter and switch. A different setting may cause a fault, failure or malfunction.
- The terminal 1 (frequency setting auxiliary input) signal is added to the main speed setting signal of the terminal 2 or 4.
- When an override is selected, the terminal 1 or 4 is used for the main speed setting and the terminal 2 for the override signal (50% to 150% at 0 to 5V or 0 to 10V). (When the main speed of the terminal 1 or terminal 4 is not input, compensation by the terminal 2 is made invalid.)
- Use *Pr. 125* (*Pr. 126*) (*frequency setting gain*) to change the maximum output frequency at input of the maximum output frequency command voltage (current). At this time, the command voltage (current) need not be input.
Also, the acceleration/deceleration time, which is a slope up/down to the acceleration/deceleration reference frequency, is not affected by the change in *Pr. 73* setting.
- When *Pr. 858 Terminal 4 function assignment*, *Pr. 868 Terminal 1 function assignment* = "4", the value of the terminal 1 or terminal 4 is as set to the stall prevention operation level. When terminal 1 and terminal 4 are used for frequency setting, set "0" (initial value) in *Pr. 858* and *Pr. 868*.



(2) Perform operation by analog input voltage

- The frequency setting signal inputs 0 to 5VDC (or 0 to 10VDC) to across the terminals 2-5. The 5V (10V) input is the maximum output frequency. The maximum output frequency is reached when 5V (10V) is input.
- The power supply 5V (10V) can be input by either using the internal power supply or preparing an external power supply. The internal power supply outputs 5VDC across terminals 10-5, or 10V across terminals 10E-5.

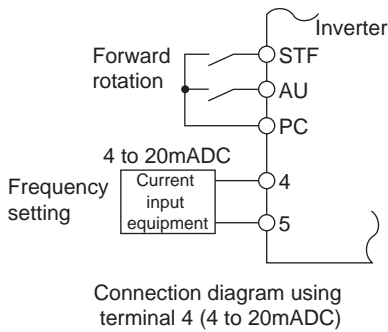
Terminal	Inverter Built-in Power Supply Voltage	Frequency Setting Resolution	Pr. 73 (terminal 2 input voltage)
10	5VDC	0.024Hz/50Hz	0 to 5VDC input
10E	10VDC	0.012Hz/50Hz	0 to 10VDC input

- When inputting 10VDC to the terminal 2, set any of "0, 2, 4, 10, 12, 14" in Pr. 73. (The initial value is 0 to 5V)
- Setting "1 (0 to 5VDC)" or "2 (0 to 10VDC)" in Pr. 267 and a voltage/current input switch in the OFF position changes the terminal 4 to the voltage input specification. When the AU signal turns on, the terminal 4 input becomes valid.

REMARKS

The wiring length of the terminal 10, 2, 5 should be 30m maximum.

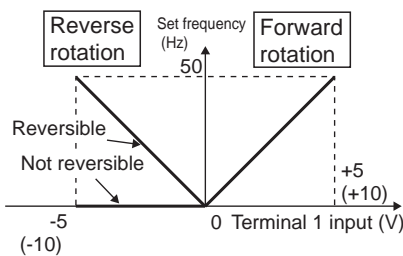
(3) Perform operation by analog input current



- When the pressure or temperature is controlled constant by a fan, pump, etc., automatic operation can be performed by inputting the output signal 0 to 20mADC of the adjuster to across the terminals 4-5.
- The AU signal must be turned on to use the terminal 4.
- Setting any of "6, 7, 16, 17" in Pr. 73 and a voltage/current input switch in the ON position changes the terminal 2 to the current input specification. At this time, the AU signal need not be turned on.

(4) Perform forward/reverse rotation by analog input (polarity reversible operation)

- Setting any of "10 to 17" in Pr. 73 enables polarity reversible operation.
- Providing ± input (0 to ±5V or 0 to ±10V) to the terminal 1 enables forward/reverse rotation operation according to the polarity.



Compensation input characteristic when STF is on

◆ Parameters referred to ◆

- Pr. 22 Stall prevention operation level Refer to page 142
 Pr. 125 Terminal 2 frequency setting gain frequency, Pr. 126 Terminal 4 frequency setting gain frequency Refer to page 277
 Pr. 252, Pr. 253 Override bias/gain Refer to page 274
 Pr. 858 Terminal 4 function assignment, Pr. 868 Terminal 1 function assignment Refer to page 270

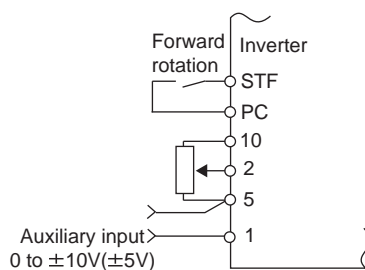


4.21.3 Analog input compensation (Pr. 73, Pr. 242, Pr. 243, Pr. 252, Pr. 253)

A fixed ratio of analog compensation (override) can be made by the added compensation or terminal 2 as an auxiliary input for multi-speed operation or the speed setting signal (main speed) of the terminal 2 or terminal 4.

Parameter Number	Name	Initial Value	Setting Range	Description
73	Analog input selection	1	0 to 3, 6, 7, 10 to 13, 16, 17	Added compensation
			4, 5, 14, 15	Override compensation
242	Terminal 1 added compensation amount (terminal 2)	100%	0 to 100%	Set the ratio of added compensation amount when terminal 2 is the main speed.
243	Terminal 1 added compensation amount (terminal 4)	75%	0 to 100%	Set the ratio of added compensation amount when terminal 4 is the main speed.
252	Override bias	50%	0 to 200%	Set the bias side compensation value of override function.
253	Override gain	150%	0 to 200%	Set the gain side compensation value of override function.

(1) Added compensation (Pr. 242, Pr. 243)



Added compensation connection example

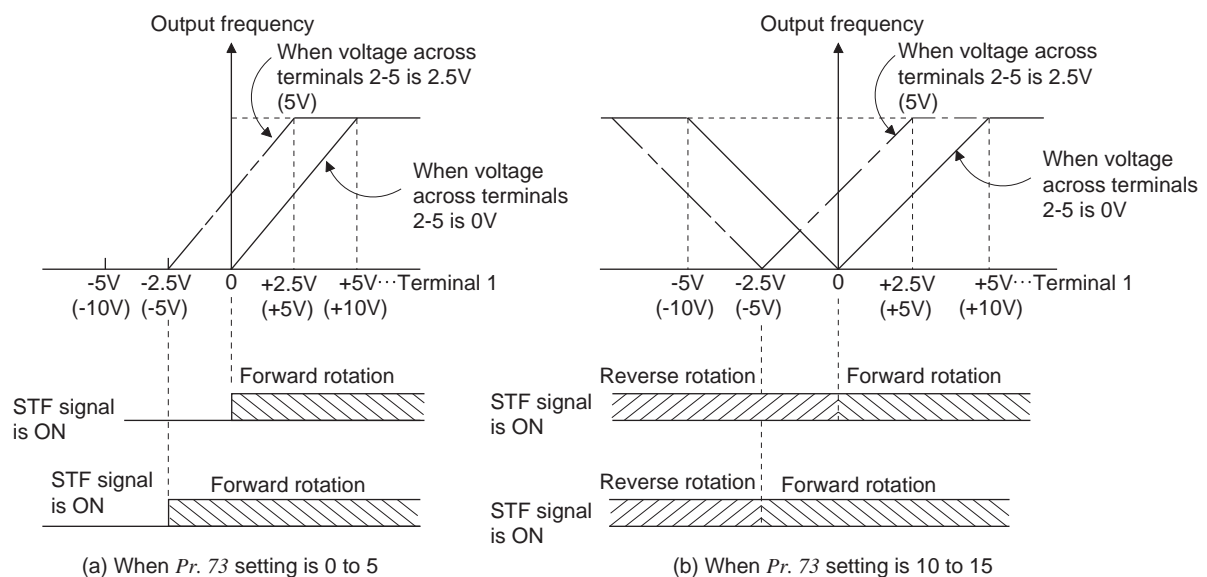
- The compensation signal can be input for the main speed setting for synchronous/continuous speed control operation, etc.
- Setting any of "0 to 3, 6, 7, 10 to 13, 16, 17" in Pr. 73 adds the voltage across terminals 1-5 to the voltage signal across terminals 2-5.
- If the result of addition is negative, it is regarded as 0 at the Pr. 73 setting of any of "0 to 3, 6, 7", or reverse rotation operation (polarity reversible operation) is performed when the STF signal turns on at the Pr. 73 setting of any of "10 to 13, 16, 17".
- The compensation input of the terminal 1 can also be added to the multi-speed setting or terminal 4 (initial value 4 to 20mA).
- The added compensation for terminal 2 can be adjusted by Pr. 242, and the compensation for terminal 4 by Pr. 243.

Analog command value using terminal 2

$$= \text{Terminal 2 input} + \text{Terminal 1 input} \times \frac{\text{Pr. 242}}{100(\%)}$$

Analog command value using terminal 4

$$= \text{Terminal 4 input} + \text{Terminal 1 input} \times \frac{\text{Pr. 243}}{100(\%)}$$



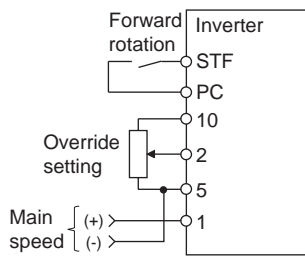
Auxiliary input characteristics

CAUTION

- When the Pr. 73 setting was changed, check the voltage/current input switch setting. Different setting may cause a fault, failure or malfunction. (Refer to page 271 for setting.)

(2) Override function (Pr. 252, Pr. 253)

- Use the override function to change the main speed at a fixed ratio.
- Set any of "4, 5, 14, 15" in Pr. 73 to select an override.
- When an override is selected, the terminal 1 or terminal 4 is used for the main speed setting and the terminal 2 for the override signal. (When the main speed of the terminal 1 or terminal 4 is not input, compensation made by the terminal 2 becomes invalid.)
- Using Pr. 252 and Pr. 253, set the override range.
- How to find the set frequency for override

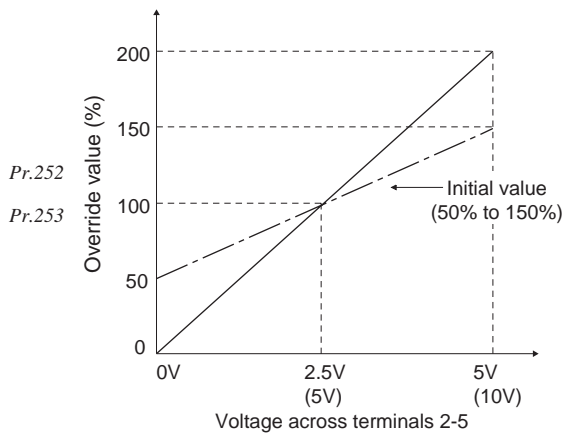


Override connection diagram

$$\text{Set frequency (Hz)} = \text{Main speed set frequency (Hz)} \times \frac{\text{Compensation amount (\%)}}{100(\%)}$$

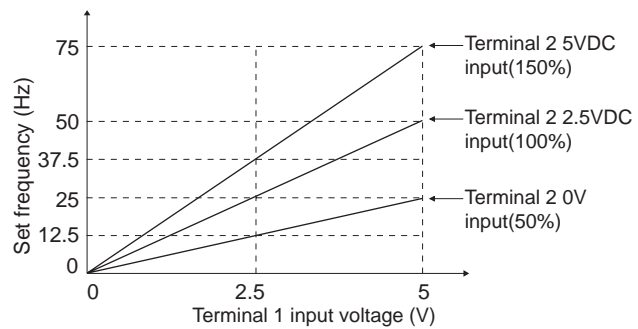
Main speed set frequency (Hz): Terminal 1, 4 input, multi-speed setting

Compensation amount (%): Terminal 2 input



Example) When Pr. 73 = "5"

The set frequency changes as shown below according to the terminal 1 (main speed) and terminal 2 (auxiliary) inputs.



CAUTION

- When the Pr. 73 setting was changed, check the voltage/current input switch setting. Different setting may cause a fault, failure or malfunction. (Refer to page 271 for setting.)

REMARKS

- The AU signal must be turned on to use the terminal 4.
- When inputting compensation to multi-speed operation or remote setting, set "1" (compensation made) in Pr. 28 Multi-speed input compensation selection. (Initial value is "0")

◆ Parameters referred to ◆

Pr. 28 Multi-speed input compensation selection Refer to page 162
 Pr. 73 Analog input selection Refer to page 271



4.21.4 Response level of analog input and noise elimination (Pr. 74, Pr. 822, Pr. 826, Pr. 832, Pr. 836, Pr. 849)

Response level and stability of frequency reference command and torque reference command by analog input (terminal 1, 2, 4) signal can be adjusted.

Parameter Number	Name	Initial Value	Setting Range	Description
74	Input filter time constant	1	0 to 8	The primary delay filter time constant for the analog input can be set. A larger setting results in slower response.
822	Speed setting filter 1	9999	0 to 5s	Set the time constant of the primary delay filter relative to the external speed command (analog input command).
			9999	Pr. 74 used
826	Torque setting filter 1	9999	0 to 5s	Set the time constant of the primary delay filter relative to the external torque command (analog input command).
			9999	Pr. 74 used
832	Speed setting filter 2	9999	0 to 5s, 9999	Second function of Pr. 822 (valid when RT terminal is on)
836	Torque setting filter 2	9999	0 to 5s, 9999	Second function of Pr. 826 (valid when RT terminal is on)
849	Analog input offset adjustment	100%	0 to 200%	This function provides speed command by analog input (terminal 2) with offset. Motor rotation due to noise, etc. by analog input can be avoided at zero speed command.

(1) Time constant of analog input (Pr. 74)

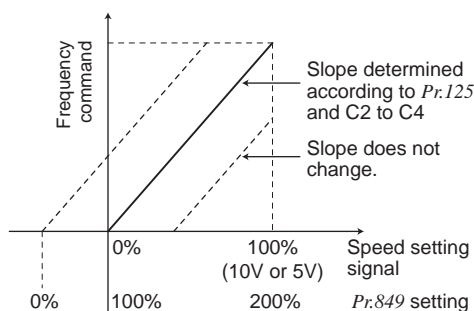
- Effective for eliminating noise in the frequency setting circuit.
- Increase the filter time constant if steady operation cannot be performed due to noise.
A larger setting results in slower response (The time constant can be set between approximately 10ms to 1s with the setting of 0 to 8).

(2) Time constant of analog speed command input (Pr. 822, Pr. 832)

- Set the time constant of the primary delay filter relative to the external torque command (analog input command) using Pr. 822 Speed setting filter 1.
Set a large time constant when you want to delay the tracking of the speed command, when the analog input voltage fluctuates, etc.
- When you want to change time constant when switching two motors with one inverter, use the Pr. 832 Speed setting filter 2.
- Pr. 832 Speed setting filter 2 is made valid when the RT signal turns on.

(3) Time constant of analog torque command input (Pr. 826, Pr. 836)

- Set the time constant of the primary delay filter relative to the external torque command (analog input command) using Pr. 826 Torque setting filter 1.
Set a large time constant value when you want to delay the tracking of the torque command, when the analog input voltage fluctuates, etc.
- When you want to change time constant when switching two motors with one inverter, etc., use Pr. 836 Torque setting filter 2.
- Pr. 836 Torque setting filter 2 is made valid when the RT signal turns on.



(4) Offset adjustment of analog speed command input (Pr. 849)

- When speed command by analog input is set, create the range where the motor remains stop to prevent malfunction at very low speed.
- On the assumption that the Pr. 849 setting 100% as 0, the offset voltage is offset as follows:
100% < Pr. 849 positive side
100% > Pr. 849 negative side
The offset voltage is found by the following formula.

$$\text{Offset voltage} = \frac{\text{Voltage at 100\%}}{(5\text{V or }10\text{V}^*)} \times \frac{\text{Pr. 849} - 100}{100} [\text{V}]$$

* According to the Pr. 73 setting

◆ Parameters referred to ◆

Pr. 73 Analog input selection Refer to page 271

Pr. 125, C2 to C4 (Bias and gain of the terminal 2 frequency setting) Refer to page 277

4.21.5 Bias and gain of frequency setting voltage (current) (Pr. 125, Pr. 126, Pr. 241, C2(Pr. 902) to C7(Pr. 905), C12(Pr. 917) to C15(Pr. 918))

You can set the magnitude (slope) of the output frequency as desired in relation to the frequency setting signal (0 to 5V, 0 to 10V or 0 to 20mADC).

Set Pr. 73, Pr. 267 and voltage/current input switch to switch between 0 to 5VDC, 0 to 10VDC and 0 to 20mADC.
(Refer to page 270)

Parameter Number	Name	Initial Value	Setting Range	Description	
125	Terminal 2 frequency setting gain frequency	50Hz	0 to 400Hz	Set the frequency of terminal 2 input gain (maximum).	
126	Terminal 4 frequency setting gain frequency	50Hz	0 to 400Hz	Set the frequency of terminal 4 input gain (maximum).	
241 *2	Analog input display unit switchover	0	0	Displayed in %	Select the unit of analog input display.
			1	Displayed in V/mA	
C2(902) *1	Terminal 2 frequency setting bias frequency	0Hz	0 to 400Hz	Set the frequency on the bias side of terminal 2 input.	
C3(902) *1	Terminal 2 frequency setting bias	0%	0 to 300%	Set the converted % of the bias side voltage (current) of terminal 2 input.	
C4(903) *1	Terminal 2 frequency setting gain	100%	0 to 300%	Set the converted % of the gain side voltage (current) of terminal 2 input.	
C5(904) *1	Terminal 4 frequency setting bias frequency	0Hz	0 to 400Hz	Set the frequency on the bias side of terminal 4 input.	
C6(904) *1	Terminal 4 frequency setting bias	20%	0 to 300%	Set the converted % of the bias side current (voltage) of terminal 4 input.	
C7(905) *1	Terminal 4 frequency setting gain	100%	0 to 300%	Set the converted % of the gain side current (voltage) of terminal 4 input.	
C12(917) *1	Terminal 1 bias frequency (speed)	0Hz	0 to 400Hz	Set the frequency (speed) on the bias side of terminal 1 input.	
C13(917) *1	Terminal 1 bias (speed)	0%	0 to 300%	Set the converted % of the bias side voltage of terminal 1 input.	
C14(918) *1	Terminal 1 gain frequency (speed)	50Hz	0 to 400Hz	Set the frequency (speed) of terminal 1 input gain (maximum).	
C15(918) *1	Terminal 1 gain (speed)	100%	0 to 300%	Set the converted % of the gain side voltage of terminal 1 input.	

*1 The parameter number in parentheses is the one for use with the parameter unit (FR-PU04/FR-PU07).

*2 The above parameters allow its setting to be changed during operation in any operation mode even if "0" (initial value) is set in Pr. 77 Parameter write selection.

(1) The relationship between analog input terminal and calibration parameter

● Terminal 1 functional calibration parameter

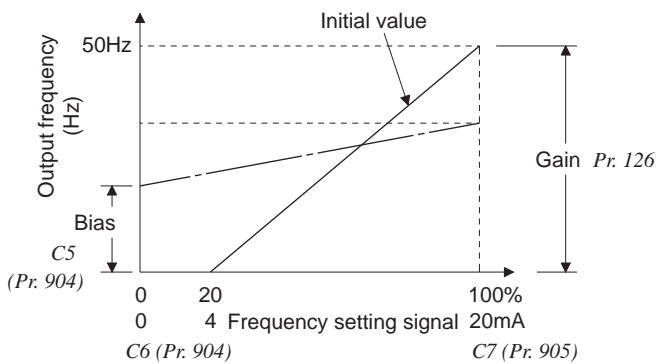
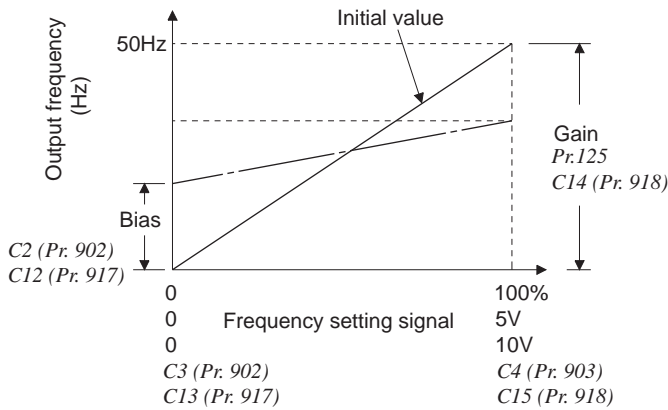
Pr. 868 Setting	Terminal Function	Calibration Parameters	
		Bias setting	Gain setting
0 (initial value)	Frequency (speed) setting auxiliary	C2(Pr. 902) Terminal 2 frequency setting bias frequency C3(Pr. 902) Terminal 2 frequency setting bias C5(Pr. 904) Terminal 4 frequency setting bias frequency C6(Pr. 904) Terminal 4 frequency setting bias	Pr. 125 Terminal 2 frequency setting gain frequency C4(Pr. 903) Terminal 2 frequency setting gain Pr. 126 Terminal 4 frequency setting gain frequency C7(Pr. 905) Terminal 4 frequency setting gain
1	Magnetic flux command	C16(Pr. 919) Terminal 1 bias command (torque/magnetic flux) C17(Pr. 919) Terminal 1 bias (torque/magnetic flux)	C18(Pr. 920) Terminal 1 gain command (torque/magnetic flux) C19(Pr. 920) Terminal 1 gain (torque/magnetic flux)
2	Regenerative torque limit	C16(Pr. 919) Terminal 1 bias command (torque/magnetic flux) C17(Pr. 919) Terminal 1 bias (torque/magnetic flux)	C18(Pr. 920) Terminal 1 gain command (torque/magnetic flux) C19(Pr. 920) Terminal 1 gain (torque/magnetic flux)
3	Torque command		
4	Stall prevention operation level */ torque limit/torque command		
5	Forward/reverse rotation speed limit	C12(Pr. 917) Terminal 1 bias frequency (speed) C13(Pr. 917) Terminal 1 bias (speed)	C14(Pr. 918) Terminal 1 gain frequency (speed) C15(Pr. 918) Terminal 1 gain (speed)
6	Torque bias input	C16(Pr. 919) Terminal 1 bias command (torque/magnetic flux) C17(Pr. 919) Terminal 1 bias (torque/magnetic flux)	C18(Pr. 920) Terminal 1 gain command (torque/magnetic flux) C19(Pr. 920) Terminal 1 gain (torque/magnetic flux)
9999	—	—	—

● Terminal 4 functional calibration parameter

Pr. 858 Setting	Terminal Function	Calibration Parameters	
		Bias setting	Gain setting
0 (initial value)	Frequency command/speed command	C5(Pr. 904) Terminal 4 frequency setting bias frequency C6(Pr. 904) Terminal 4 frequency setting bias	Pr. 126 Terminal 4 frequency setting gain frequency C7(Pr. 905) Terminal 4 frequency setting gain
1	Magnetic flux command	C38(Pr. 932) Terminal 4 bias command (torque/magnetic flux) C39(Pr. 932) Terminal 4 bias (torque/magnetic flux)	C40(Pr. 933) Terminal 4 gain command (torque/magnetic flux) C41(Pr. 933) Terminal 4 gain (torque/magnetic flux)
4	Stall prevention operation level */ torque limit	C38(Pr. 932) Terminal 4 bias command (torque/magnetic flux) C39(Pr. 932) Terminal 4 bias (torque/magnetic flux)	C40(Pr. 933) Terminal 4 gain command (torque/magnetic flux) C41(Pr. 933) Terminal 4 gain (torque/magnetic flux)
9999	—	—	—

—: No function

* Use Pr. 148 Stall prevention level at 0V input and Pr. 149 Stall prevention level at 10V input to adjust bias/gain of stall prevention operation level



(2) Change the frequency at maximum analog input. (Pr. 125, Pr. 126)

- Set a value in Pr. 125 (Pr. 126) when changing only the frequency setting (gain) of the maximum analog input power (current). (C2 (Pr. 902) to C7 (Pr. 905) setting need not be changed)

(3) Analog input bias/gain calibration (C2(Pr. 902) to C7(Pr. 905), C12(Pr. 917) to C15(Pr. 918))

- The "bias" and "gain" functions are used to adjust the relationship between the input signal entered from outside the inverter to set the output frequency, e.g. 0 to 5V, 0 to 10V or 4 to 20mADC, and the output frequency.
- Set the bias frequency of the terminal 2 input using C2 (Pr. 902). (factory-set to the frequency at 0V)
- Using Pr. 125, set the output frequency relative to the frequency command voltage (current) set in Pr. 73 Analog input selection.
- Set the bias frequency of the terminal 1 input using C12 (Pr. 917). (factory-set to the frequency at 0V)
- Set the gain frequency of the terminal 1 input using C14 (Pr. 918). (factory-set to the frequency at 10V)
- Set the bias frequency of the terminal 4 input using C5 (Pr. 904). (factory-set to the frequency at 4mA)
- Using Pr. 126, set the output frequency relative to 20mA of the frequency command current (4 to 20mA).
- There are three methods to adjust the frequency setting voltage (current) bias/gain.
 - Method to adjust any point by application of voltage (current) to across the terminals 2-5 (4-5). [page 279](#)
 - Method to adjust any point without application of a voltage (current) to across terminals 2-5(4-5). [page 280](#)
 - Adjusting only the frequency without adjusting the voltage (current). [page 281](#)

CAUTION

- When the terminal 2 is calibrated to change the inclination of the set frequency, the setting of the terminal 1 is also changed.
- When a voltage is input to the terminal 1 to make calibration, (terminal 2 (4) analog value + terminal 1 analog value) is the analog calibration value.
- When the voltage/current input specifications were changed using Pr. 73, Pr. 267 and voltage/current input switch, be sure to make calibration.

(4) Analog input display unit changing (Pr. 241)

- You can change the analog input display unit (%V/mA) for analog input bias/gain calibration.
- Depending on the terminal input specification set to Pr. 73, Pr. 267 and voltage/current input switch, the display units of C3 (Pr. 902), C4 (Pr. 903), C6 (Pr. 904) C7 (Pr. 905) change as shown below.

Analog Command (terminal 2, 4) (according to Pr. 73, Pr. 267, voltage/current input switch)	Pr. 241 = 0 (initial value)	Pr. 241 = 1
0 to 5V input	0 to 5V → displayed in 0 to 100% (0.1%).	0 to 100% → displayed in 0 to 5V (0.01V).
0 to 10V input	0 to 10V → displayed in 0 to 100% (0.1%).	0 to 100% → displayed in 0 to 10V (0.01V).
0 to 20mA input	0 to 20mA → displayed in 0 to 100% (0.1%).	0 to 100% → displayed in 0 to 20mA (0.01mA).


REMARKS


- Analog input display is not displayed correctly if voltage is applied to terminal 1 when terminal 1 input specifications (0 to ±5V, 0 to ±10V) and main speed (terminal 2, terminal 4 input) specifications (0 to 5V, 0 to 10V, 0 to 20mA) differ. (For example, 5V (100%) is analog displayed when 0V and 10V are applied to terminal 2 and terminal 1 respectively in the initial status. In this case, set "0" (initial value is 0% display) in Pr. 241 to use.

(5) Frequency setting voltage (current) bias/gain adjustment method


(a) Method to adjust any point by application of voltage (current) to across the terminals 2-5 (4-5).


Operation


1. Confirmation of the RUN indication and operation mode indication
 • The inverter must be at a stop.
 • The inverter must be in the PU operation mode.
 (Using )

2. Press  to choose the parameter setting mode.


3. Turn  until $\underline{C} . . .$ appears.

4. Press  to display $\underline{C} - - -$.

5. Turn  until $\underline{C} . 4$ ($\underline{C} . 7$) appears. Set to *C4 Terminal 2 frequency setting gain*.

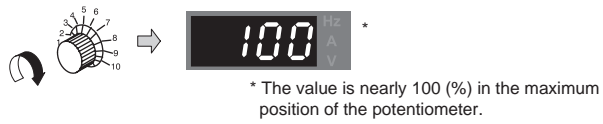
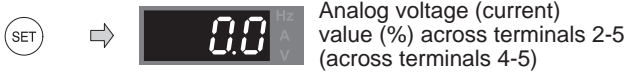
6. Press  to display the analog voltage (current) value (%).

7. Apply a 5V (20mA) voltage (current).
 (Turn the external potentiometer connected across terminals 2-5 (across terminals 4-5) to maximum (any position).)

CAUTION
 After performing the operation in step 6, do not touch  until completion of calibration.




8. Press  to set.

Display



Flicker...Parameter setting complete!!
 (Adjustment completed)

* The value is nearly 100 (%) in the maximum position of the potentiometer.


- By turning , you can read another parameter.
- Press  to return to the $\underline{C} - - -$ indication (step 4).
- Press  twice to show the next parameter ($\underline{P} r . \underline{C} \underline{L}$).


REMARKS

- If the frequency meter (indicator) connected to across terminals CA-PC does not indicate just 50Hz, set *calibration parameter C0 CA terminal calibration*. (Refer to page 247)
- If the gain and bias frequency settings are too close, an error ($\underline{E} r \underline{3}$) may be displayed at the time of write.


(b) Method to adjust any point without application of a voltage (current) to across terminals 2-5(4-5).
(To change from 4V (80%) to 5V (100%))


Operation


1. Confirmation of the RUN indication and operation mode indication
 • The inverter must be at a stop.
 • The inverter must be in the PU operation mode.
 (Using )


2. Press  to choose the parameter setting mode.

3. Turn  until $\text{C} \dots$ appears.


4. Press  to display $\text{C} \text{---}$.


5. Turn  until $\text{C} \text{ 4}$ ($\text{C} \text{ 7}$) appears. Set to *C4 Terminal 2 frequency setting gain*.

6. Press  to display the analog voltage (current) value (%).

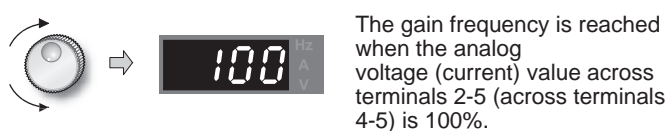
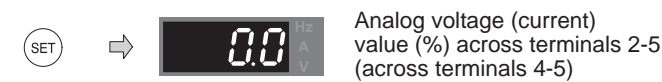
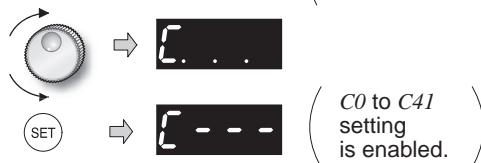
7. Turn  to set the gain voltage (%).
 "0V (0mA) equals to 0%, 5V (10V, 20mA) to 100%"

Remarks




The current setting at the instant of turning  is displayed.

8. Press  to set.


Display



Flicker...Parameter setting complete!!
(Adjustment completed)

- By turning , you can read another parameter.
- Press  to return to the $\text{C} \text{---}$ indication (step 4).
- Press  twice to show the next parameter ($\text{P} \text{---}$).

REMARKS

By pressing  after step 6, you can confirm the current frequency setting bias/gain setting.
 It cannot be confirmed after execution of step 7.

(c) Method to adjust only the frequency without adjustment of a gain voltage (current).
(When changing the gain frequency from 50Hz to 40Hz)

Operation	Display
<p>1. Turn until <i>P. 125</i> (<i>Pr. 125</i>) or <i>P. 126</i> (<i>Pr. 126</i>) appears.</p>	
<p>2. Press to show the currently set value. (50.00Hz)</p>	
<p>3. Turn to change the set value to "40.00". (40.00Hz)</p>	
<p>4. Press to set.</p>	
<p>5. Mode/monitor check Press twice to choose the monitor/frequency monitor.</p>	<p style="text-align: center;">Flicker...Parameter setting complete!!</p>
<p>6. Apply a voltage across the inverter terminals 2-5 (across 4-5) and turn on the start command (STF, STR). Operation starts at 40Hz.</p>	

REMARKS

- Changing *C4* (*Pr. 903*) or *C7* (*Pr. 905*) (gain adjustment) value will not change the *Pr. 20* value. The input of terminal 1 (frequency setting auxiliary input) is added to the frequency setting signal.
- For the operation procedure using the parameter unit (FR-PU04/FR-PU07), refer to the FR-PU04/FR-PU07 instruction manual.
- When setting the value to 120Hz or more, it is necessary to set *Pr. 18 High speed maximum frequency* to 120Hz or more. (Refer to page 149)
- Make the bias frequency setting using *calibration parameter C2* (*Pr. 902*) or *C5* (*Pr. 904*). (Refer to page 278)

⚠ CAUTION

⚠ Take care when setting any value other than "0" as the bias speed at 0V (0mA). Even if a frequency command is not given, merely turning on the start signal will start the motor at the preset frequency.

◆ Parameters referred to ◆

- Pr. 20 Acceleration/deceleration reference frequency* Refer to page 165
Pr. 73 Analog input selection, Pr. 267 Terminal 4 input selection Refer to page 271
Pr. 79 Operation mode selection Refer to page 295



4.21.6 Bias and gain of torque (magnetic flux) setting voltage (current) (Pr. 241, C16(Pr. 919) to C19(Pr. 920), C38 (Pr. 932) to C41 (Pr. 933))

Sensorless Vector

You can set the magnitude (slope) of the torque as desired in relation to the torque setting signal (0 to 5VDC, 0 to 10V or 4 to 20mA).

Use Pr. 73 and Pr. 267 to switch from among 0 to 5V, 0 to 10V, 4 to 20mADC. (Refer to page 271)

Parameter Number	Name	Initial Value	Setting Range	Description	
241 *2	Analog input display unit switchover	0	0	Displayed in %	Select the unit of analog input display.
			1	Displayed in V/mA	
C16(919) *1	Terminal 1 bias command (torque/magnetic flux)	0%	0 to 400%	Set the torque (magnetic flux) on the bias side of terminal 1 input.	
C17(919) *1	Terminal 1 bias (torque/magnetic flux)	0%	0 to 300%	Set the converted % of the bias side voltage (current) of terminal1 input.	
C18(920) *1	Terminal 1 gain command (torque/magnetic flux)	150%	0 to 400%	Set the torque (magnetic flux) of the terminal 1 input gain (maximum).	
C19(920) *1	Terminal 1 gain (torque/magnetic flux)	100%	0 to 300%	Set the converted % of the gain side voltage of terminal1 input.	
C38(932) *1	Terminal 4 bias command (torque/magnetic flux)	0%	0 to 400%	Set the torque (magnetic flux) on the bias side of terminal 4 input.	
C39(932) *1	Terminal 4 bias (torque/magnetic flux)	20%	0 to 300%	Set the converted % of the bias side current (voltage) of terminal 4 input.	
C40(933) *1	Terminal 4 gain command (torque/magnetic flux)	150%	0 to 400%	Set the torque (magnetic flux) of the terminal 4 input gain (maximum).	
C41(933) *1	Terminal 4 gain (torque/magnetic flux)	100%	0 to 300%	Set the converted % of the gain side current (voltage) of terminal 4 input.	

*1 The parameter number in parentheses is the one for use with the parameter unit (FR-PU04/FR-PU07).

*2 The above parameters allow its setting to be changed during operation in any operation mode even if "0" (initial value) is set in Pr. 77 Parameter write selection .

(1) Change functions of analog input terminal

In the initial setting status, terminal 1 and terminal 4 used for analog input are respectively set to speed setting auxiliary (speed limit auxiliary) and speed command (speed limit). To use an analog input terminal as torque command, torque limit input or magnetic flux command input, set Pr. 868 Terminal 1 function assignment and Pr. 858 Terminal 4 function assignment to change functions. (Refer to page 270)

(2) The relationship between analog input terminal and calibration parameter

- Terminal 1 functional calibration parameter

Pr. 868 Setting	Terminal Function	Calibration Parameters	
		Bias setting	Gain setting
0 (initial value)	Frequency (speed) setting auxiliary	C2(Pr. 902) Terminal 2 frequency setting bias frequency C3(Pr. 902) Terminal 2 frequency setting bias C5(Pr. 904) Terminal 4 frequency setting bias frequency C6(Pr. 904) Terminal 4 frequency setting bias	Pr. 125 Terminal 2 frequency setting gain frequency C4(Pr. 903) Terminal 2 frequency setting gain Pr. 126 Terminal 4 frequency setting gain frequency C7(Pr. 905) Terminal 4 frequency setting gain
1	Magnetic flux command	C16(Pr. 919) Terminal 1 bias command (torque/magnetic flux) C17(Pr. 919) Terminal 1 bias (torque/magnetic flux)	C18(Pr. 920) Terminal 1 gain command (torque/magnetic flux) C19(Pr. 920) Terminal 1 gain (torque/magnetic flux)
2	Regenerative torque limit	C16(Pr. 919) Terminal 1 bias command (torque/magnetic flux) C17(Pr. 919) Terminal 1 bias (torque/magnetic flux)	C18(Pr. 920) Terminal 1 gain command (torque/magnetic flux) C19(Pr. 920) Terminal 1 gain (torque/magnetic flux)
3	Torque command		
4	Stall prevention operation level */ torque limit/torque command		
5	Forward/reverse rotation speed limit	C12(Pr. 917) Terminal 1 bias frequency (speed) C13(Pr. 917) Terminal 1 bias (speed)	C14(Pr. 918) Terminal 1 gain frequency (speed) C15(Pr. 918) Terminal 1 gain (speed)
6	Torque bias input	C16(Pr. 919) Terminal 1 bias command (torque/magnetic flux) C17(Pr. 919) Terminal 1 bias (torque/magnetic flux)	C18(Pr. 920) Terminal 1 gain command (torque/magnetic flux) C19(Pr. 920) Terminal 1 gain (torque/magnetic flux)
9999	—	—	—

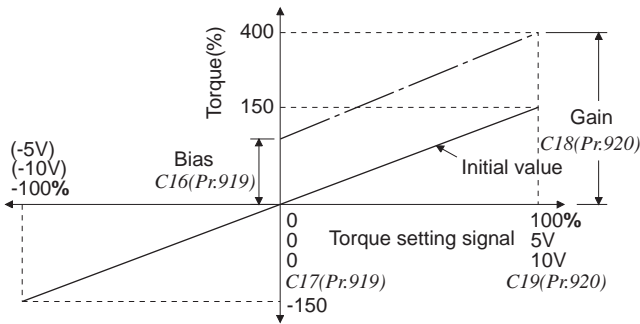
* Use Pr. 148 Stall prevention level at 0V input and Pr. 149 Stall prevention level at 10V input to adjust bias/gain of stall prevention operation level.

● Terminal 4 functional calibration parameter

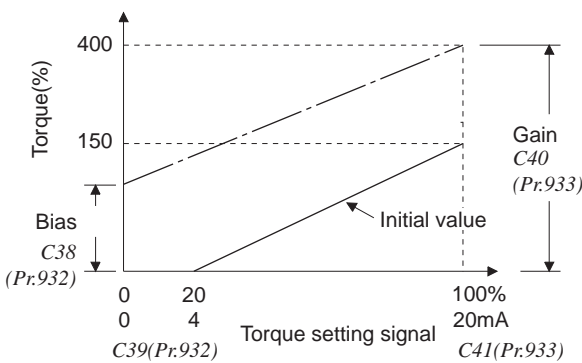
Pr. 858 Setting	Terminal Function	Calibration Parameters	
		Bias setting	Gain setting
0 (initial value)	Frequency (speed) command/speed limit	C5(Pr. 904) Terminal 4 frequency setting bias frequency C6(Pr. 904) Terminal 4 frequency setting bias	Pr. 126 Terminal 4 frequency setting gain frequency C7(Pr. 905) Terminal 4 frequency setting gain
1	Magnetic flux command	C38(Pr. 932) Terminal 4 bias command (torque/magnetic flux) C39(Pr. 932) Terminal 4 bias (torque/magnetic flux)	C40(Pr. 933) Terminal 4 gain command (torque/magnetic flux) C41(Pr. 933) Terminal 4 gain (torque/magnetic flux)
4	Stall prevention operation level */ torque limit	C38(Pr. 932) Terminal 4 bias command (torque/magnetic flux) C39(Pr. 932) Terminal 4 bias (torque/magnetic flux)	C40(Pr. 933) Terminal 4 gain command (torque/magnetic flux) C41(Pr. 933) Terminal 4 gain (torque/magnetic flux)
9999	—	—	—

— : No function

* Use Pr. 148 Stall prevention level at 0V input and Pr. 149 Stall prevention level at 10V input to adjust bias/gain of stall prevention operation level.



Calibration example of terminal 1



Calibration example of terminal 4

(3) Change the torque at maximum analog input. (C18(Pr. 920), C40(Pr. 933))

- Set C18(Pr. 920), C40(Pr. 933) when changing only torque setting (gain) of the maximum analog input voltage (current).

(4) Calibration of analog input bias and gain (C16(Pr. 919) to C19(Pr. 920), C38 (Pr. 932) to C41 (Pr. 933))

- The "bias" and "gain" functions are used to adjust the relationship between the input signal entered from outside the inverter to set the torque command and torque limit, e.g. 0 to 5V, 0 to 10V or 4 to 20mADC, and the torque.
- Set the bias torque of terminal 1 input in C16 (Pr. 919). (It is factory-set to the torque at 0V)
- Set the torque in C18 (Pr. 920) for the torque command voltage set with Pr. 73 Analog input selection. (initial value is 10V)
- Set the bias torque of terminal 4 input in C38 (Pr. 932). (It is factory-set to the torque at 4mA)
- Set the torque in C40 (Pr. 933) for 20mA of the torque command current (4 to 20mA).
- There are the following three methods to adjust the torque setting voltage (current) bias and gain.
 - Method to adjust any point without application of voltage (current) to across terminals 1-5(4-5) [page 284](#)
 - Method to adjust any point without application of voltage (current) to across terminals 1-5(4-5) [page 285](#)
 - Method to adjust torque only without adjustment of voltage (current) [page 286](#)

CAUTION

- When voltage/current input specifications were switched using Pr. 73 and Pr. 267, perform calibration without fail.

(5) Analog input display unit changing (Pr. 241)

- You can change the analog input display unit (%V/mA) for analog input bias/gain calibration.
- Display unit of C17 (Pr. 919), C19 (Pr. 920), C39 (Pr. 932), C41 (Pr. 933) changes as follows according to the terminal input specifications set in Pr. 73 and Pr. 267.

Analog Command (terminal 1,4) (according to Pr. 73, Pr. 267)	Pr. 241 = 0 (initial value)	Pr. 241 = 1
0 to 5V input	0 to 5V → displayed in 0 to 100% (0.1%)	0 to 100% → displayed in 0 to 5V (0.01V)
0 to 10V input	0 to 10V → displayed in 0 to 100% (0.1%)	0 to 100% → displayed in 0 to 10V (0.01V)
4 to 20mA input	0 to 20mA → displayed in 0 to 100% (0.1%)	0 to 100% → displayed in 0 to 20mA (0.01mA)



(6) Adjustment method of torque setting voltage (current) bias and gain

a) Method to adjust any point without application of a voltage (current) to across terminals 1-5(4-5)

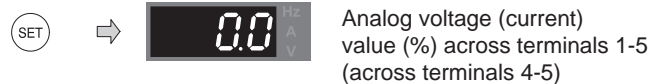
Operation

1. Confirmation of the RUN indication and operation mode indication
 - The inverter must be at a stop.
 - The inverter must be in the PU operation mode. (Using $\left(\frac{PU}{EXT}\right)$)
2. Press $\left(\text{MODE}\right)$ to choose the parameter setting mode.
3. Turn $\left(\text{potentiometer}\right)$ until $\left[\text{C} \dots\right]$ appears.
4. Press $\left(\text{SET}\right)$ to display $\left[\text{C} \text{---}\right]$.
5. Turn $\left(\text{potentiometer}\right)$ until $\left[\text{C} \ 19\right]$ ($\left[\text{C} \ 41\right]$) appears. Set to C19 Terminal 1 gain (torque).

Display



6. Press $\left(\text{SET}\right)$ to display the analog voltage (current) value (%).

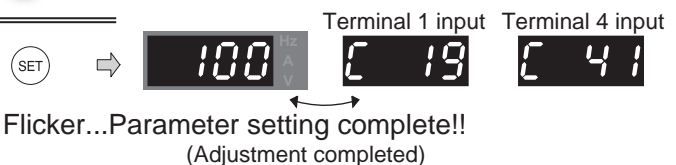


7. Apply a 10V (20mA) voltage (current). (Turn the external potentiometer connected across terminals 1-5 (across terminals 4-5) to maximum (any position).)



CAUTION
After performing the operation in step 6, do not touch $\left(\text{potentiometer}\right)$ until completion of calibration.

8. Press $\left(\text{SET}\right)$ to set.








- By turning $\left(\text{potentiometer}\right)$, you can read another parameter.
- Press $\left(\text{SET}\right)$ to return to the $\left[\text{C} \text{---}\right]$ indication (step 4).
- Press $\left(\text{SET}\right)$ twice to show the next parameter ($\left[P_r.C.L.\right]$).

REMARKS


- An error at writing ($\left[\text{E} \text{---}\right]$) may appear if torque setting value of gain and bias are too close.

b) Method to adjust any point without application of a voltage (current) to across terminals 1-5(4-5)
(To change from 8V (80%) to 10V (100%))

Operation

1. Confirmation of the RUN indication and operation mode indication
 - The inverter must be at a stop.
 - The inverter must be in the PU operation mode. (Using )
2. Press  to choose the parameter setting mode.
3. Turn  until $\text{C} \dots$ appears.
4. Press  to display $\text{C} \text{---}$.
5. Turn  until $\text{C} \text{ 19}$ ($\text{C} \text{ 41}$) appears. Set to *C19 Terminal 1 gain (torque)*.

REMARKS

The current setting at the instant of turning  is displayed.

8. Press  to set.

Display



The parameter number read previously appears.)

(C0 to C41 setting is enabled.)




Terminal 1 input Terminal 4 input

Analog voltage (current) value (%) across terminals 1-5 (across terminals 4-5)


The gain torque is reached when the analog voltage (current) value across terminals 1-5 (across terminals 4-5) is 100%.

Terminal 1 input Terminal 4 input

Flicker...Parameter setting complete!!
(Adjustment completed)

- By turning , you can read another parameter.
- Press  to return to the $\text{C} \text{---}$ indication (step 4).
- Press  twice to show the next parameter ($P_r \text{C} \text{L}$).

REMARKS

You can check the current torque setting bias/gain setting by pressing  after step 6.
You can not check after performing operation in step 7.

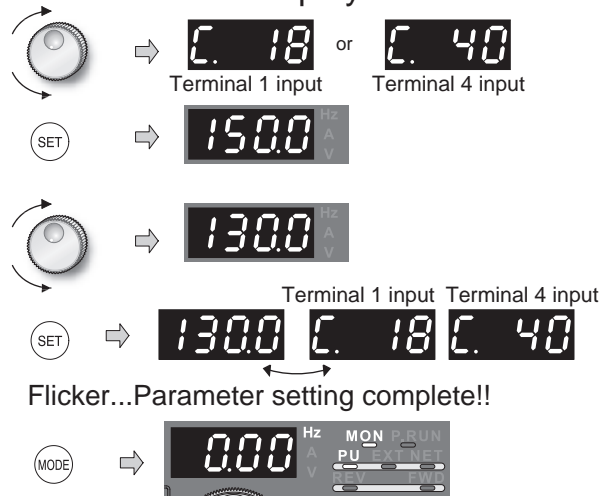


- c) Method to adjust torque only without adjustment of gain voltage (current)
(when changing gain torque from 150% to 130%)

Operation

1. Turn until **C. 18** (Pr.920) or **C. 40** (Pr.933) appears.
2. Press to show the currently set value. (150%)
3. Turn to change the set value to "1300" (130.0%)
4. Press to set.
5. Mode/monitor check
Press twice to choose the monitor/frequency monitor.
6. Apply a voltage across the inverter terminals 1-5 (across 4-5) and turn on the start command (STF, STR).
Operation starts with 130% torque.

Display



REMARKS

- For operation from the parameter unit (FR-PU04/FR-PU07), refer to the instruction manual of the FR-PU04/FR-PU07.
- Set bias torque setting using *calibration parameter C16* (Pr. 919) or *C38* (Pr. 932). (Refer to page 283)

CAUTION

Take care when setting any value other than "0" as the bias torque at 0V (0mA). Torque is applied to the motor by merely tuning on the start signal without torque command.

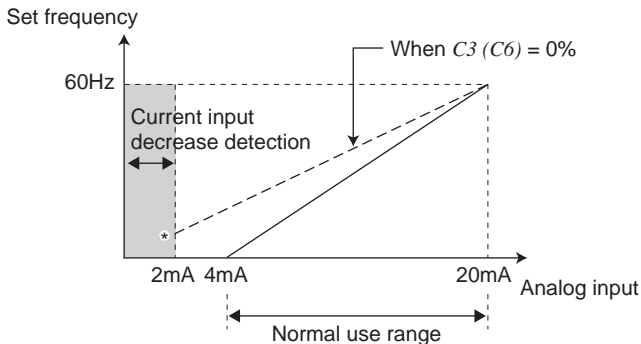
◆ Parameters referred to ◆

- Pr. 20 Acceleration/deceleration reference frequency Refer to page 165
 Pr. 73 Analog input selection, Pr. 267 Terminal 4 input selection Refer to page 271
 Pr. 79 Operation mode selection Refer to page 295
 Pr. 858 Terminal 4 function assignment, Pr. 868 Terminal 1 function assignment Refer to page 270

4.21.7 4mA input check of current input (Pr. 573)

When inputting 4 to 20mA current to terminal 2 or terminal 4, decrease in analog current input is detected to enable continuous operation even if input has decreased.

Parameter Number	Name	Initial Value	Setting Range	Description
573	4mA input check selection	9999	1	When the current input drops to or below 2mA, the LF signal is output and inverter continues operation at the frequency (average value) just before current reaches 2mA.
			9999	4mA input is not checked.

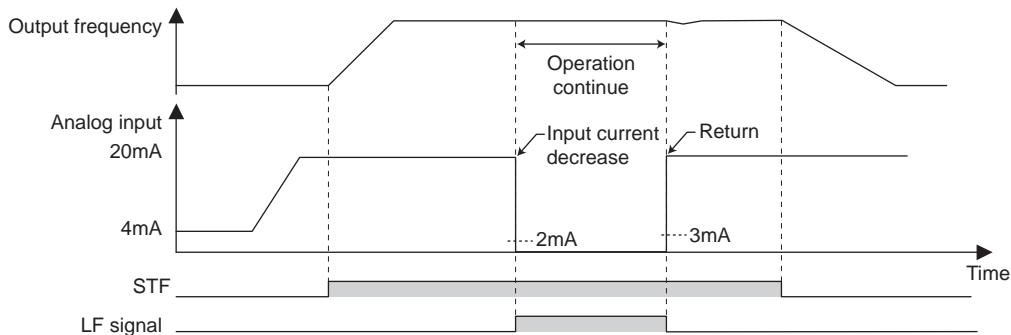


* When Pr. 573 = "1", input decrease is detected (LF signal output) even if the analog input value to bias frequency of terminal 2 or terminal 4 is set to 2mA or less using C2 (Pr. 902) or C5 (Pr. 904) and the value is not as bias frequency settings.

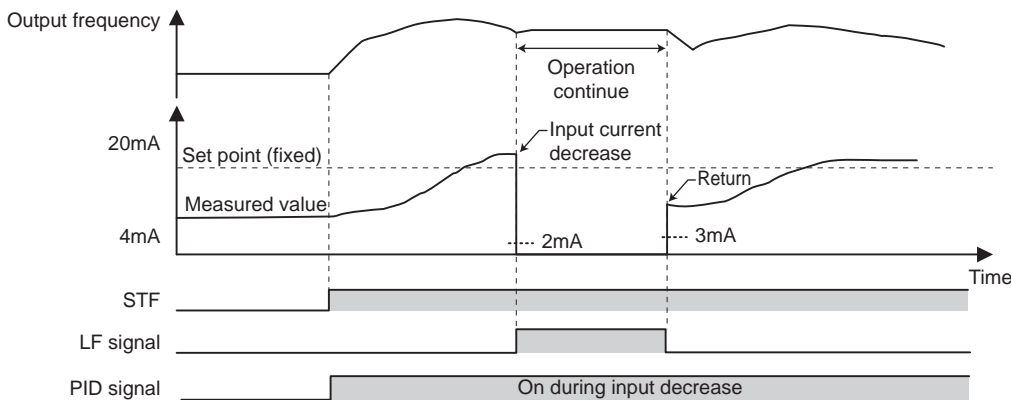
(1) Operation at a current input decrease continues (Pr. 573 = "1")

- When the input current of terminal 4 (terminal 2) falls 2mA or below, output minor fault signal (LF) is output.
- When the current falls below 2mA, the output frequency (average value) before detection is retained and operation at the retained frequency continues.
- When the current input increases above 3mA, the LF signal output is turned off and the inverter operates according to the current input.
- For the LF signal, set "98 (positive logic) or 198 (negative logic)" in Pr. 190 to Pr. 196 (output terminal function selection) and assign functions to the output terminal.
- Since turning off the start command clears the retained frequency, the inverter does not operate at the retained frequency even if restarted.

During external operation (Pr. 573 = 1)



During PID control (reverse action) (Pr. 573 = 1)



CAUTION



- When terminal assignment is changed using Pr. 190 to Pr. 196 (output terminal function selection), the other functions may be affected. Please make setting after confirming the function of each terminal.



(2) Function related to 4mA input check

Function	Operation (Pr. 573 = 1)	Refer to page
Minimum frequency	Even if the input current decreases, minimum frequency setting clamp is valid.	149
Multi-speed operation	Operation by multiple speed signal has precedence even if input current decreases. (Frequency is not retained when the input current decreases.) Operation stops when a multi-speed signal turns off.	158
Jog operation	The Jog signal has precedence. (Frequency is not retained when the input current decreases.) Operation stops when the jog signal is turned off during decrease in input current. PU/jog operation is enabled during PID control. At this time, PU/jog operation has precedence during decrease in input current.	160
MRS	Output is shut off by the MRS signal even if input current decreases. (The inverter stops when the MRS signal is turned off.)	222
Remote setting	The retained frequency will not change even if remote acceleration/deceleration and clear are performed during decrease in input current. Reflected at restoration.	162
Retry	When retry was successful at error occurrence during decrease in input current, retained frequency was not cleared and operation continues.	257
Added compensation, override function	Operation of added compensation (terminal 1) and override compensation (terminal 2) are invalid during decrease in input current.	274
Input filter time constant	The value before filtering is detected. When input current decreases, frequency after filtering (average value) is retained.	276
Forward/reverse rotation prevention	Motor rotation direction can be restricted independently of 4mA input check setting.	293
PID control	Although PID operation is stopped when input current decreases, the X14 signal remains on. (PID operation is valid.)	343
Power failure stop	Even if input current decreases when undervoltage or power failure occurs, the motor stops according to the setting of power-failure deceleration stop function	254
Traverse function	When input current decreases, traverse operation is performed using retained frequency as reference.	364
Switch-over	When the switchover function is operated, frequency is the same as that of the retained frequency. Note that if 4mA input is made invalid once in switchover mode, the frequency is not retained next time.	295

◆ Parameters referred to ◆

Pr. 73 Analog input selection  Refer to page 271
Pr. 267 Terminal 4 input selection  Refer to page 271

4.22 Misoperation prevention and parameter setting restriction




Purpose	Parameter that must be Set		Refer to Page
Limit reset function Make alarm stop when PU is disconnected Stop from PU	Reset selection/disconnected PU detection/PU stop selection	Pr. 75	289
Prevention of parameter rewrite	Parameter write disable selection	Pr. 77	292
Prevention of reverse rotation of the motor	Reverse rotation prevention selection	Pr. 78	293
Display necessary parameters	Display of applied parameters and user group function	Pr. 160, Pr. 172 to Pr. 174	293
Control of parameter write by communication	EEPROM write selection	Pr. 342	315

4.22.1 Reset selection/disconnected PU detection/PU stop selection (Pr. 75)

You can select the reset input acceptance, disconnected PU (FR-DU07/FR-PU04/FR-PU07) connector detection function and PU stop function.

Parameter Number	Name	Initial Value	Setting Range		Description
75	Reset selection/disconnected PU detection/PU stop selection	14	01800 or less	0 to 3, 14 to 17	For the initial value, reset always enabled, without disconnected PU detection, and with PU stop function are set.
			02160 or more	0 to 3, 14 to 17, 100 to 103, 114 to 117	

*The Pr. 75 value can be set any time. Also, if parameter (all) clear is executed, this setting will not return to the initial value.

Pr. 75 Setting	Reset Selection	Disconnected PU Detection	PU Stop Selection	Reset Limit
0	Reset input always enabled	If the PU is disconnected, operation will be continued.	Pressing  decelerates the motor to a stop only in the PU operation mode.	Not function
1	Enabled only when the protective function is activated			
2	Reset input always enabled			
3	Enabled only when the protective function is activated	When the PU is disconnected, the inverter output is shut off.	Pressing  decelerates the motor to a stop in any of the PU, external and communication operation modes.	
14 (initial value)	Reset input always enabled	If the PU is disconnected, operation will be continued.		
15	Enabled only when the protective function is activated	When the PU is disconnected, the inverter output is shut off.		
16	Reset input always enabled			
17	Enabled only when the protective function is activated	If the PU is disconnected, operation will be continued.	Pressing  decelerates the motor to a stop only in the PU operation mode.	Function
100 *	Reset input always enabled			
101 *	Enabled only when the protective function is activated			
102 *	Reset input always enabled			
103 *	Enabled only when the protective function is activated			
114 *	Reset input always enabled			
115 *	Enabled only when the protective function is activated			
116 *	Reset input always enabled	When the PU is disconnected, the inverter output is shut off.		
117 *	Enabled only when the protective function is activated			

* Available with the 02160 or more.



(1) Reset selection

- You can select the operation timing of reset function (RES signal, reset command through communication) input.
- When *Pr. 75* is set to any of "1, 3, 15, 17, 101, 103, 115, 117", a reset can be input only when the protective function is activated.

CAUTION

- When the reset signal (RES) is input during operation, the motor coasts since the inverter being reset shuts off the output. Also, the cumulative value of the electronic thermal relay function and regenerative brake duty is cleared.
 - The reset key of the PU is valid only when the protective function is activated, independently of the *Pr. 75* setting.
-



(2) Disconnected PU detection

- This function detects that the PU (FR-DU07/FR-PU04/FR-PU07) has been disconnected from the inverter for longer than 1s and causes the inverter to provide an alarm output (E.PUE) and come to an alarm stop.
- When *Pr. 75* is set to any of "0, 1, 14, 15, 100, 101, 114, 115", operation is continued if the PU is disconnected.

CAUTION


- When the PU has been disconnected since before power-on, it is not judged as an alarm.
 - To make a restart, confirm that the PU is connected and then reset the inverter.
 - The motor decelerates to a stop when the PU is disconnected during PU jog operation with *Pr. 75* set to any of "0, 1, 14, 15" (operation is continued if the PU is disconnected).
 - When RS-485 communication operation is performed through the PU connector, the reset selection/PU stop selection function is valid but the disconnected PU detection function is invalid.
-

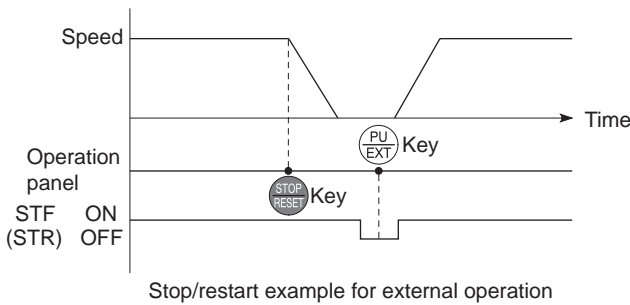
(3) PU stop selection

- In any of the PU operation, external operation and network operation modes, the motor can be stopped by pressing  of the PU.
- When the inverter is stopped by the PU stop function, "PS" is displayed but an alarm is not output. An alarm output is not provided.
- When *Pr. 75* is set to any of "0 to 3, 100 to 103", deceleration to a stop by  is valid only in the PU operation mode.





REMARKS

The motor will also decelerate to a stop (PU stop) when  is input during operation in the PU mode through RS-485 communication with *Pr. 551 PU mode operation command source selection* set to "1" (PU mode RS-485 terminals).

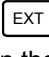
(4) Restarting method when stop was made by pressing  from the PU during external operation



(a) When operation panel (FR- DU07) is used

- 1) After the motor has decelerated to a stop, turn off the STF or STR signal.
- 2) Press  to display .....(*PS* canceled)
- 3) Press  to return to .
- 4) Turn on the STF or STR signal.

(b) Connection of the parameter unit (FR-PU04/FR-PU07)


- 1) After the motor has decelerated to a stop, turn off the STF or STR signal.
- 2) Press .....(*PS* canceled)
- 3) Turn on the STF or STR signal.

- The motor can be restarted by making a reset using a power supply reset or RES signal.

CAUTION

- If *Pr. 250 Stop selection* is set to other than "9999" to select coasting to a stop, the motor will not be coasted to a stop but decelerated to a stop by the PU stop function during external operation.
To restart after the inverter is stopped by PU with PLC function, reset using a power supply rest or RES signal. (sending stop signal from GX Developer, can also perform the reset.)

 **CAUTION**

-  Do not reset the inverter with the start signal on. Doing so will cause the inverter to start immediately after a reset, leading to hazardous conditions.


(5) Reset limit

- Setting can be made for the 02160 or more.
- You can set *Pr. 75* to disable reset operation until the thermal cumulative amount reaches 0 when a thermal trip (THM, THT) or an overcurrent trip (OC1 to OC3) occurs consecutively twice.
- When *Pr. 75* = "100 to 103, 114 to 117", reset limit is made valid.

REMARKS

When the power-on reset (no control power is supplied) is made, the thermal cumulative amount is cleared.

◆ Parameters referred to ◆

Pr. 250 Stop selection  Refer to page 201

4.22.2 Parameter write selection (Pr. 77)

You can select whether write to various parameters can be performed or not. Use this function to prevent parameter values from being rewritten by misoperation.

Parameter Number	Name	Initial Value	Setting Range	Description
77	Parameter write selection	0	0	Write is enabled only during a stop.
			1	Parameter write is not enabled.
			2	Parameter write is enabled in any operation mode regardless of operation status.

Pr. 77 can be always set independently of the operation mode and operation status.

(1) Write parameters only at a stop (setting "0", initial value)

- Parameters can be written only during a stop in the PU operation mode.
- The shaded parameters in the parameter list (page 63) can always be written, regardless of the operation mode and operation status. However, Pr. 72 PWM frequency selection and Pr. 240 Soft-PWM operation selection can be written during operation in the PU operation mode, but cannot be written in external operation mode.

(2) Disable parameter write (setting "1")

- Parameter write is not enabled. (Reading is enabled.)
- Parameter clear and all parameter clear cannot be performed, either.
- The parameters given on the right can be written even if Pr. 77 = "1".

Parameter Number	Name
22	Stall prevention operation level
75	Reset selection/disconnected PU detection/PU stop selection
77	Parameter write selection
79	Operation mode selection
160	User group read selection


(3) Write parameters during operation (setting "2")

- Parameters can always be written.
- The following parameters cannot be written during operation if Pr. 77 = "2". Stop operation when changing their parameter settings.

Parameter Number	Name
19	Base frequency voltage
23	Stall prevention operation level compensation factor at double speed
48	Second stall prevention operation current
49	Second stall prevention operation frequency
60	Energy saving control selection
61	Reference current
66	Stall prevention operation reduction starting frequency
71	Applied motor
79	Operation mode selection
80	Motor capacity
81	Number of motor poles
82	Motor excitation current
83	Motor rated voltage
84	Rated motor frequency
90 to 94	(Motor constants)
95	Online auto tuning selection
96	Auto tuning setting/status
100 to 109	(Adjustable 5 points V/F parameter)
135 to 139	(Parameter for electronic bypass sequence)
178 to 196	(I/O terminal function selection)
255	Life alarm status display
256	Inrush current limit circuit life display
257	Control circuit capacitor life display
258	Main circuit capacitor life display
291	Pulse train I/O selection
292	Automatic acceleration/deceleration

Parameter Number	Name
293	Acceleration/deceleration separate selection
329	Digital input unit selection (Parameter for the plug-in option FR-A7AX)
343	Communication error count
414	PLC function operation selection
415	Inverter operation lock mode setting
450	Second applied motor
451	Second motor control method selection
453	Second motor capacity
454	Number of second motor poles
455	Second motor excitation current
456	Rated second motor voltage
457	Rated second motor frequency
458 to 462	(Second motor constant)
463	Second motor auto tuning setting/status
541	Frequency command sign selection (CC-Link) (Parameter for the plug-in option FR-A7NC)
563	Energization time carrying-over times
564	Operating time carrying-over times
570	Multiple rating setting
574	Second motor online auto tuning
800	Control method selection
819	Easy gain tuning selection
858	Terminal 4 function assignment
859	Torque current
860	Second motor torque current
868	Terminal 1 function assignment

◆ Parameters referred to ◆

Pr. 79 Operation mode selection  Refer to page 295

4.22.3 Reverse rotation prevention selection (Pr. 78)

This function can prevent reverse rotation fault resulting from the incorrect input of the start signal.

Parameter Number	Name	Initial Value	Setting Range	Description
78	Reverse rotation prevention selection	0	0	Both forward and reverse rotations allowed
			1	Reverse rotation disabled
			2	Forward rotation disallowed

- Set this parameter when you want to limit the motor rotation to only one direction.
- This parameter is valid for all of the reverse rotation and forward rotation keys of the operation panel (FR-DU07), parameter unit (FR-PU04/FR-PU07), start signals (STF, STR signals) via external terminals, and the forward and reverse rotation commands through communication.

4.22.4 Display of applied parameters and user group function (Pr. 160, Pr. 172 to Pr. 174)

Parameter which can be read from the operation panel and parameter unit can be restricted.

Parameter Number	Name	Initial Value	Setting Range	Description
160	User group read selection	0	9999	Only the simple mode parameters can be displayed.
			0	The simple mode and extended parameters can be displayed
			1	Only parameters registered in the user group can be displayed.
172	User group registered display/ batch clear	0	(0 to 16)	Displays the number of cases registered as a user group. (Reading only)
			9999	Batch clear the user group registration
173 *1	User group registration	9999	0 to 999, 9999	Set the parameter numbers to be registered to the user group.
174 *1	User group clear	9999	0 to 999, 9999	Set the parameter numbers to be cleared from the user group.

*1 The values read from Pr. 173 and Pr. 174 are always "9999".

(1) Display of simple mode parameters and extended parameters (Pr. 160)

- When Pr. 160 = "9999", only the simple mode parameters can be displayed on the operation panel (FR-DU07) and parameter unit (FR-PU04/FR-PU07). (Refer to the parameter list, pages 63 to 77, for the simple mode parameters.)
- In the initial setting (Pr. 160 = "0") status, simple mode parameters and extended parameters can be displayed.

REMARKS

- When a plug-in option is fitted to the inverter, the option parameters can also be read.
- When reading the parameters using the communication option, all parameters (simple mode, extended mode, parameters for options) can be read regardless of the Pr. 160 setting.
- When reading the parameters using the RS-485 terminals, all parameters can be read regardless of the Pr. 160 setting by setting Pr.550 NET mode operation command source selection and Pr. 551 PU mode operation command source selection.

Pr. 551	Pr. 550	Pr. 160 Valid/Invalid
1 (RS-485)	—	Valid
2 (PU) (initial value) 3 (USB)	0 (OP)	Valid
	1 (RS-485)	Invalid (all readable)
	9999 (auto-detect) (initial value)	With OP: valid Without OP: invalid (all readable)

* OP indicates a communication option

- Pr. 15 Jog frequency, Pr. 16 Jog acceleration/deceleration time Pr. 991 PU contrast adjustment are displayed as simple mode parameters when the parameter unit (FR-PU04/FR-PU07) is mounted.

(2) User group function (Pr. 160, Pr. 172 to Pr. 174)

- The user group function is designed to display only the parameters necessary for setting.
- From among all parameters, a maximum of 16 parameters can be registered to a user group. When Pr. 160 is set to "1", only the parameters registered to the user group can be accessed. (Reading of parameters other than the user group registration is disabled.)
- To register a parameter to the user group, set its parameter number to Pr. 173.
- To delete a parameter from the user group, set its parameter number to Pr. 174. To batch-delete the registered parameters, set Pr. 172 to "9999".

(3) Registration of parameter to user group (Pr. 173)

When registering Pr. 3 to user group

Operation	Indication
<p>1. Confirm the operation display and operation mode display.</p> <ul style="list-style-type: none"> • The inverter must be at a stop. • The inverter must be in the PU operation mode. (Press in the external operation mode.) 	
<p>2. Press to choose the parameter setting mode.</p>	⇒ Parameter setting mode
<p>3. Turn until P. 173 appears.</p>	⇒ Pr. 173 User group registration is displayed.
<p>4. Press to display. "9999"</p>	⇒ When Pr. 173 is read, "9999" is displayed.
<p>5. Turn until Pr. 3 appears.</p>	⇒ Select the parameter number to be registered.
<p>6. Press to set.</p> <p>"P. 173" and "3" are displayed alternately.</p> <p>To continue parameter registration, repeat steps 3 to 6.</p>	⇒ <p style="text-align: center;">Flicker ... Registration of Pr. 3 to user group completed!!</p>

(4) Deletion of parameter from user group (Pr. 174)

When deleting Pr. 3 from user group

Operation	Indication
<p>1. Confirm the operation display and operation mode display.</p> <ul style="list-style-type: none"> • The inverter must be at a stop. • The inverter must be in the PU operation mode. (Press in the external operation mode.) 	
<p>2. Press to choose the parameter setting mode.</p>	⇒ Parameter setting mode
<p>3. Turn until P. 174 appears.</p>	⇒ Pr. 174 User group clear is displayed.
<p>4. Press to display. "9999"</p>	⇒ When Pr. 174 is read, "9999" is displayed.
<p>5. Turn until Pr. 3 appears.</p>	⇒ Select the parameter number to be deleted.
<p>6. Press to clear.</p> <p>"P. 174" and "3" are displayed alternately.</p> <p>To continue parameter registration, repeat steps 3 to 6.</p>	⇒ <p style="text-align: center;">Flicker ... Deletion of Pr. 3 from user group completed!!</p>

REMARKS

- Pr. 77, Pr. 160 and Pr. 991 can always be read, independently of the user group setting.
- Pr. 77, Pr. 160 and Pr. 172 to Pr. 174 cannot be registered to the user group.
- When Pr. 174 or Pr. 175 is read, "9999" is always displayed. Although "9999" can be written, no function is available.
- When any value other than "9999" is set to Pr. 172, no function is available.

◆ Parameters referred to ◆

Pr. 550 NET mode operation command source selection Refer to page 304
 Pr. 551 PU mode operation command source selection Refer to page 304











4.23 Selection of operation mode and operation location

Purpose	Parameter that must be Set		Refer to Page
Operation mode selection	Operation mode selection	Pr. 79	295
Started in network operation mode	Operation mode at power on	Pr. 79, Pr. 340	303
Selection of control location	Selection of control source, speed command source and control location during communication operation	Pr. 338, Pr. 339, Pr. 550, Pr. 551	304

4.23.1 Operation mode selection (Pr. 79)

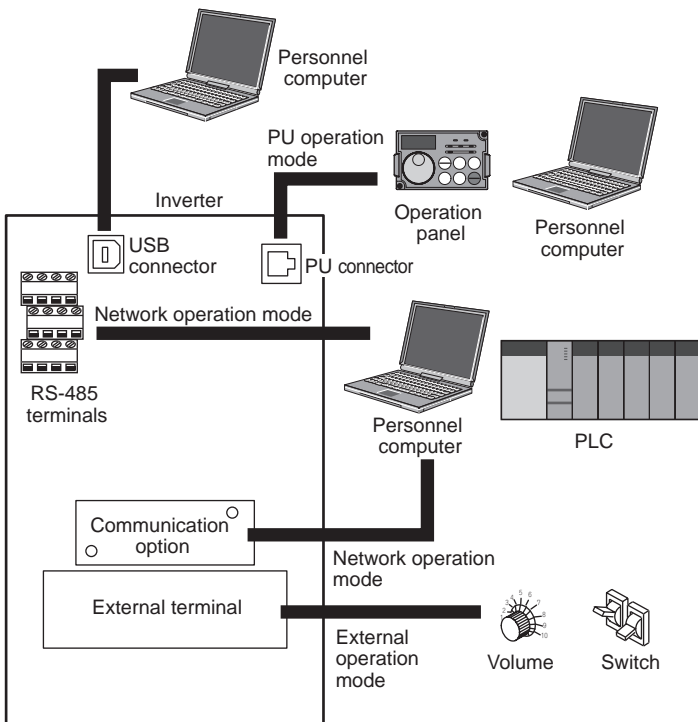
Used to select the operation mode of the inverter.

Mode can be changed as desired between operation using external signals (external operation), operation from the PU (FR-DU07/FR-PU07/FR-PU04), combined operation of PU operation and external operation (external/PU combined operation), and network operation (when RS-485 terminals or a communication option is used).

Parameter Number	Name	Initial Value	Setting Range	Description	LED Indication <input type="checkbox"/> : Off <input type="checkbox"/> : On		
79	Operation mode selection	0	0	Use external/PU switchover mode ($\begin{matrix} \text{PU} \\ \text{EXT} \end{matrix}$) to switch between the PU and external operation mode. At power on, the inverter is placed in the external operation mode.	External operation mode  PU operation mode 		
			1	Fixed to PU operation mode			
			2	Fixed to external operation mode Operation can be performed by switching between the external and Net operation mode.	External operation mode  NET operation mode 		
			3	External/PU combined operation mode 1		External signal input (terminal STF, STR)	
				Running frequency	Start signal		
			4	External/PU combined operation mode 2		Input from the PU (FR-DU07/FR-PU04/FR-PU07) ($\begin{matrix} \text{FWD} \\ \text{REV} \end{matrix}$)	
				Running frequency	Start signal		
			6	Switch-over mode Switch among PU operation, external operation, and NET operation while keeping the same operation status.			
7	External operation mode (PU operation interlock) X12 signal ON Operation mode can be switched to the PU operation mode. (output stop during external operation) X12 signal OFF Operation mode can not be switched to the PU operation mode.	PU operation mode  External operation mode 					


The above parameters can be changed during a stop in any operation mode.

(1) Operation mode basics

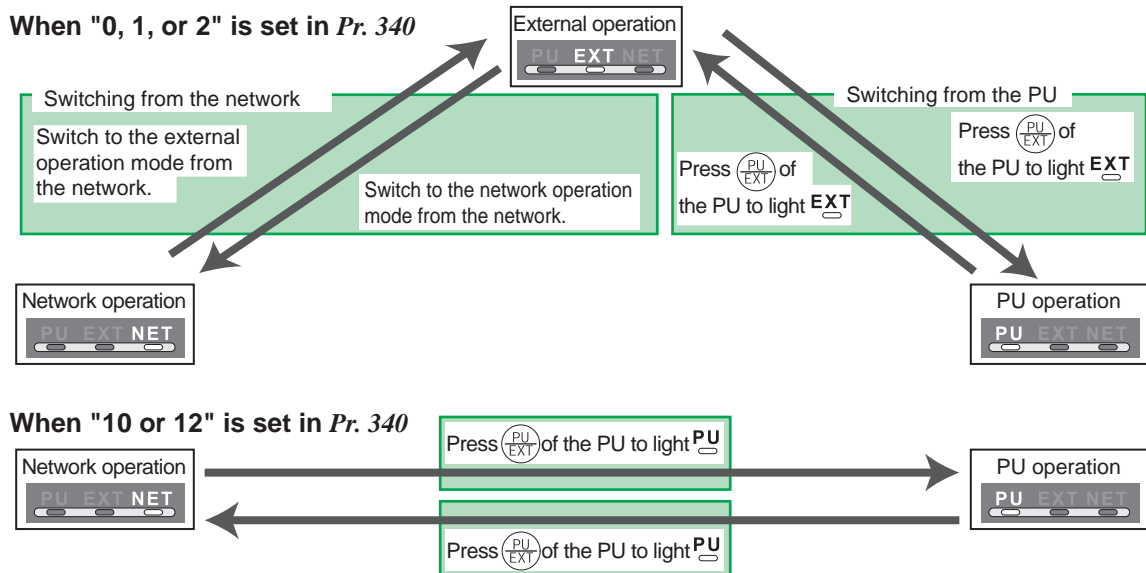


- The operation mode is to specify the source of inputting the start command and set frequency of the inverter.
- Select the "external operation mode" when performing operation by basically using the control circuit terminals and providing potentiometers, switches, etc. externally, select the "PU operation mode" when inputting the start command and frequency setting through communication from the operation panel (FR-DU07), parameter unit (FR-PU04/FR-PU07), PU connector, or select the "network operation mode (NET operation mode)" when using the RS-485 terminals or communication option.
- The operation mode can be selected from the operation panel or with the communication instruction code.





REMARKS

- Either "3" or "4" may be set to select the PU/external combined operation, and these settings differ in starting method.
- In the initial setting, the stop function by  of the PU (FR-DU07/FR-PU07) (PU stop selection) is valid also in other than the PU operation mode. (Pr. 75 Reset selection/disconnected PU detection/PU stop selection. Refer to page 289.)

(2) Operation mode switching method

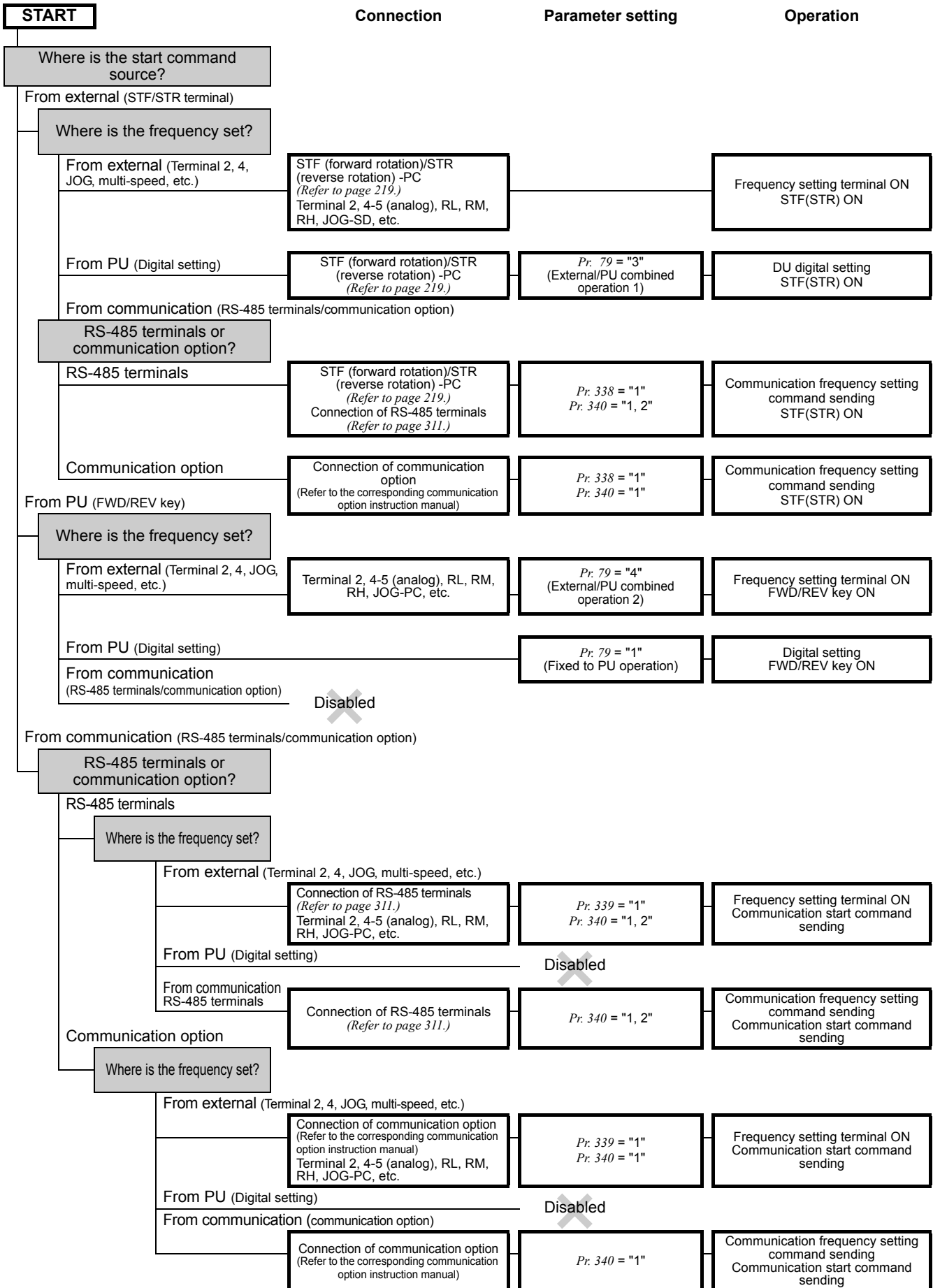


REMARKS

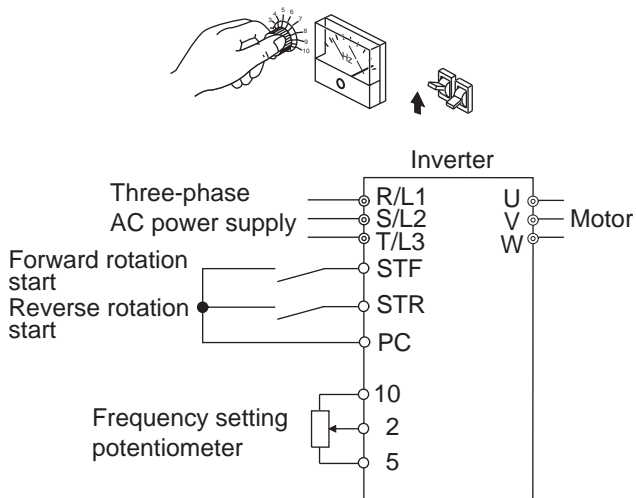
- For switching of operation by external terminals, refer to the following:
 - PU operation external interlock signal (X12 signal)  page 300
 - PU-external operation switch-over signal (X16)  page 301
 - PU-NET operation switchover signal (X65), External-NET operation switchover signal (X66)  page 302
 - Pr. 340 Communication startup mode selection  page 303


(3) Operation mode selection flow

In the following flowchart, select the basic parameter setting and terminal connection related to the operation mode.

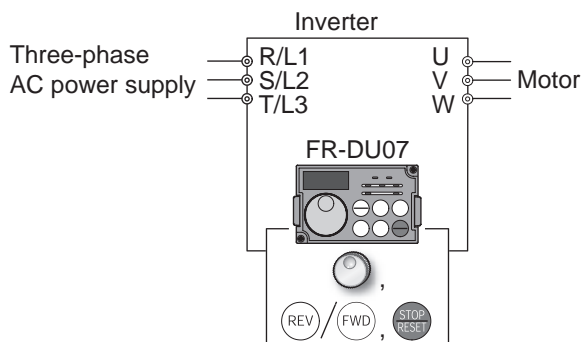
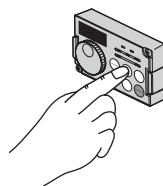


(4) External operation mode (setting "0" (initial value), "2")



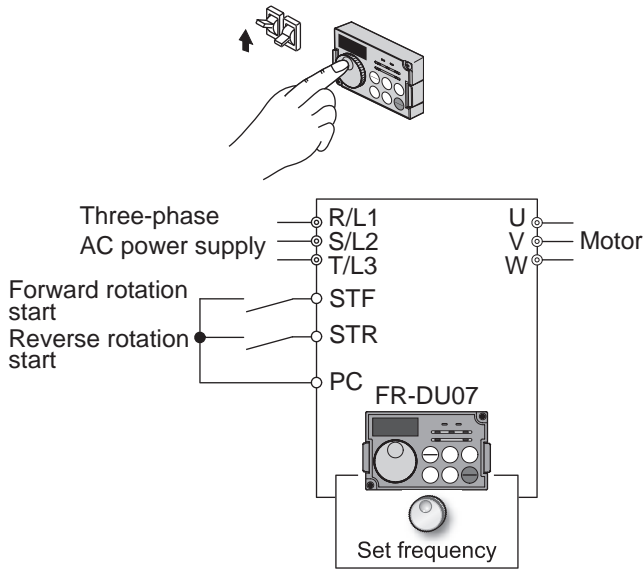
- Select the external operation mode when performing operation by providing a frequency setting potentiometer, start switch, etc. externally and connecting them to the control circuit terminals of the inverter.
- Basically, parameter changing is disabled in external operation mode. (Some parameters can be changed. Refer to *page 63* for the parameter list.)
- When "0" or "2" is selected for *Pr. 79*, the inverter enters the external operation mode at power on. (When using the network operation mode, refer to *page 303*)
- When parameter changing is seldom necessary, setting "2" fixes the operation mode to external operation mode. When frequent parameter changing is necessary, setting "0" (initial value) allows the operation mode to be changed easily to PU operation mode by pressing  of the operation panel. When you switched to PU operation mode, always return to external operation mode.
- The STF and STR signal are used as a start command, and the terminal 2, 4, multi-speed setting, JOG signal, etc. are used as frequency setting.

(5) PU operation mode (setting "1")



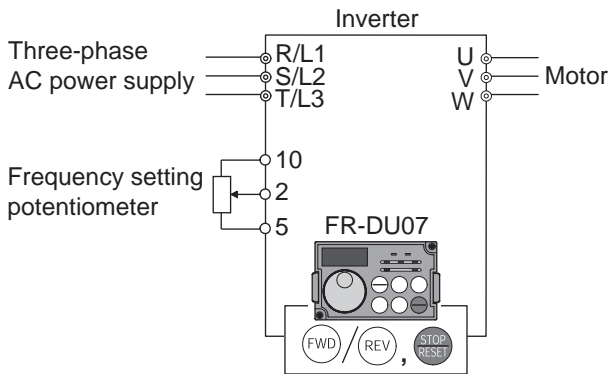
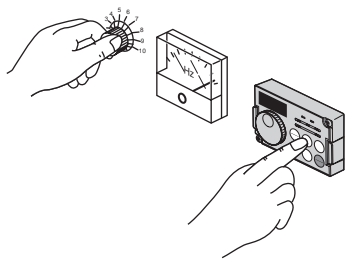
- Select the PU operation mode when performing operation by only the key operation of the operation panel (FR-DU07) or parameter unit (FR-PU04/FR-PU07). Also select the PU operation mode when making communication using the PU connector.
- When "1" is selected for *Pr. 79*, the inverter enters the PU operation mode at power on. You cannot change to the other operation mode.
- The setting dial of the operation panel can be used for setting like a potentiometer. (*Pr. 161 Frequency setting/key lock operation selection, refer to page 375.*)
- When PU operation mode is selected, the PU operation mode signal (PU) can be output. For the terminal used for the PU signal output, assign the function by setting "10 (positive logic) or 110 (negative logic)" in any of *Pr. 190 to Pr. 196 (output terminal function selection)*.

(6) PU/external combined operation mode 1 (setting "3")



- Select the PU/external combined operation mode 1 when making frequency setting from the operation panel (FR-DU07) or parameter unit (FR-PU04/FR-PU07) and inputting the start command with the external start switch.
- Select "3" for Pr. 79. You cannot change to the other operation mode.
- When a frequency is input from the external signal by multi-speed setting, it has a higher priority than the frequency setting of the PU. When AU is on, the terminal 4 is used.

(7) PU/external combined operation mode 2 (setting "4")



- Select the PU/external combined operation mode 2 when making frequency setting from the external potentiometer, multi-speed or JOG signal and inputting the start command by key operation of the operation panel (FR-DU07) or parameter unit (FR-PU04/FR-PU07).
- Select "4" for Pr. 79. You cannot change to the other operation mode.

(8) Switch-over mode (setting "6")

- While continuing operation, you can switch between the PU operation, external operation and network operation (when RS-485 terminals or communication option is used).

Operation Mode Switching	Switching Operation/Operating Status
External operation → PU operation	Select the PU operation mode with the operation panel or parameter unit. <ul style="list-style-type: none"> Rotation direction is the same as that of external operation. The frequency set with the volume (frequency setting potentiometer), etc. is used unchanged. (Note that the setting will disappear when power is switched off or the inverter is reset.)
External operation → NET operation	Send the mode change command to network operation mode through communication. <ul style="list-style-type: none"> Rotation direction is the same as that of external operation. The value set with the setting volume (frequency setting potentiometer) or like is used unchanged. (Note that the setting will disappear when power is switched off or the inverter is reset.)
PU operation → external operation	Press the external operation key of the operation panel, parameter unit. <ul style="list-style-type: none"> The rotation direction is determined by the input signal of the external operation. The set frequency is determined by the external frequency setting signal.
PU operation → NET operation	Send the mode change command to network operation mode through communication. <ul style="list-style-type: none"> Rotation direction and set frequency are the same as those of PU operation.
NET operation → external operation	Command to change to external mode is transmitted by communication. <ul style="list-style-type: none"> Rotation direction is determined by the external operation input signal. The set frequency is determined by the external frequency setting signal.
NET operation → PU operation	Select the PU operation mode with the operation panel or parameter unit. <ul style="list-style-type: none"> The rotation direction and set frequency signal in network operation mode are used unchanged.

(9) PU operation interlock (setting "7")

- The PU operation interlock function is designed to forcibly change the operation mode to external operation mode when the PU operation interlock signal (X12) input turns off. This function prevents the inverter from being inoperative by the external command if the mode is accidentally left unswitched from the PU operation mode.
- Set "7" (PU operation interlock) in Pr. 79.
- For the terminal used for X12 signal (PU operation interlock signal) input, set "12" in any of Pr. 178 to Pr. 189 (input terminal function selection) to assign the function. (Refer to page 219 for Pr. 178 to Pr. 189.)
- When the X12 signal has not been assigned, the function of the MRS signal switches from MRS (output stop) to the PU operation interlock signal.

X12 (MRS) Signal	Function/Operation	
	Operation mode	Parameter write
ON	Operation mode (external, PU, NET) switching enabled Output stop during external operation	Parameter write enabled (Pr. 77 Parameter write selection, depending on the corresponding parameter write condition (Refer to page 63 for the parameter list))
OFF	Forcibly switched to external operation mode External operation allowed Switching to PU or NET operation mode disabled	Parameter write disabled with exception of Pr. 79

<Function/operation changed by switching on-off the X12 (MRS) signal>

Operating Condition		X12 (MRS) Signal	Operation Mode	Operating Status	Switching to PU, NET Operation Mode
Operation mode	Status				
PU/NET	During stop	ON→OFF *1	External *2	If external operation frequency setting and start signal are entered, operation is performed in that status.	Disallowed
	Running	ON→OFF *1			Disallowed
External	During stop	OFF→ON	External *2	During stop	Allowed
		ON→OFF			Disallowed
	Running	OFF→ON		During operation → output stop	Disallowed
		ON→OFF		Output stop → operation	Disallowed

*1 The operation mode switches to external operation mode independently of whether the start signal (STF, STR) is on or off. Therefore, the motor is run in external operation mode when the X12 (MRS) signal is turned off with either of STF and STR on.

*2 At alarm occurrence, pressing  of the operation panel resets the inverter.

CAUTION

- If the X12 (MRS) signal is on, the operation mode cannot be switched to PU operation mode when the start signal (STF, STR) is on.
- When the MRS signal is used as the PU interlock signal, the MRS signal serves as the normal MRS function (output stop) by turning on the MRS signal and then changing the Pr. 79 value to other than "7" in the PU operation mode. Also as soon as "7" is set in Pr. 79, the signal acts as the PU interlock signal.
- When the MRS signal is used as the PU operation interlock signal, the logic of the signal is as set in Pr. 17. When Pr. 17 = "2", read ON as OFF and OFF as ON in the above explanation.
- Changing the terminal assignment using Pr. 178 to Pr. 189 (input terminal function selection) may affect the other functions. Please make setting after confirming the function of each terminal.

(10) Switching of operation mode by external terminal (X16 signal)

- When external operation and operation from the operation panel are used together, use of the PU-external operation switching signal (X16) allows switching between the PU operation mode and external operation mode during a stop (during a motor stop, start command off).
- When Pr. 79 = any of "0, 6, 7", the operation mode can be switched between the PU operation mode and external operation mode. (Pr. 79 = "6" switch-over mode can be changed during operation)
- For the terminal used for X16 signal input, set "16" in any of Pr. 178 to Pr. 189 (input terminal function selection) to assign the function.

Pr. 79 Setting	X16 Signal State Operation Mode		Remarks
	ON (external)	OFF (PU)	
0 (initial value)	External operation mode	PU operation mode	Can be switched to external, PU or NET operation mode
1	PU operation mode		Fixed to PU operation mode
2	External operation mode		Fixed to external operation mode (Can be switched to NET operation mode)
3, 4	External/PU combined operation mode		External/PU combined mode fixed
6	External operation mode	PU operation mode	Can be switched to external, PU or NET operation mode with operation continued
7	X12 (MRS) ON	External operation mode	Can be switched to external, PU or NET operation mode (Output stop in external operation mode)
	X12 (MRS) OFF	External operation mode	

REMARKS

- The operation mode status changes depending on the setting of Pr. 340 Communication startup mode selection and the ON/OFF status of the X65 and X66 signals. (For details, refer to page 302.)
- The priorities of Pr. 79, Pr. 340 and signals are Pr. 79 > X12 > X66 > X65 > X16 > Pr. 340.

CAUTION

- Changing the terminal assignment using Pr. 178 to Pr. 189 (input terminal function selection) may affect the other functions. Please make setting after confirming the function of each terminal.

(11) Switching of operation mode by external terminal (X65, X66 signal)

- When Pr. 79 = any of "0, 2, 6, 7", the operation mode switching signals (X65, X66) can be used to change the PU or external operation mode to network operation mode during a stop (during a motor stop or start command off). (Pr. 79 = "6" switch-over mode can be changed during operation)
- When switching between the network operation mode and PU operation mode
 - 1) Set Pr. 79 to "0" (initial value), "6" or "7". (At the Pr. 79 setting of "7", the operation mode can be switched when the X12 (MRS) signal turns on.)
 - 2) Set "10 or 12" in Pr. 340 Communication startup mode selection.
 - 3) Set "65" in any of Pr. 178 to Pr. 189 to assign the NET-PU operation switchover signal (X65) to the external terminal.
 - 4) The operation mode changes to PU operation mode when the X65 signal turns on, or to network operation mode when the X65 signal turns off.

Pr. 340 Setting	Pr. 79 Setting	X65 Signal State		Remarks	
		ON (PU)	OFF (NET)		
10, 12	0 (initial value)	PU operation mode *1	NET operation mode *2	Cannot be switched to external operation mode	
	1	PU operation mode		Fixed to PU operation mode	
	2	NET operation mode		Fixed to NET operation mode	
	3, 4	External/PU combined operation mode		External/PU combined mode fixed	
	6	PU operation mode *1	NET operation mode *2	Operation mode can be switched with operation continued Cannot be switched to external operation mode	
	7	X12(MRS) ON	PU operation mode *1	NET operation mode *2, 3	Output stop in external operation mode
		X12(MRS) OFF	External operation mode		Forcibly switched to external operation mode

*1 NET operation mode when the X66 signal is on.
 *2 PU operation mode when the X16 signal is off. PU operation mode also when Pr. 550 NET mode operation command source selection = "1" (communication option control source) and the communication option is not fitted.
 *3 External operation mode when the X16 signal is on.

- When switching between the network operation mode and external operation mode
 - 1)Set Pr. 79 to "0" (initial value), "2", "6" or "7". (At the Pr. 79 setting of "7", the operation mode can be switched when the X12 (MRS) signal turns on.)
 - 2)Set "0 (initial value), 1 or 2" in Pr. 340 Communication startup mode selection.
 - 3)Set "66" in any of Pr. 178 to Pr. 189 to assign the NET-external operation switchover signal (X66) to the external terminal.
 - 4)The operation mode changes to network operation mode when the X66 signal turns on, or to external operation mode when the X66 signal turns off.

Pr. 340 Setting	Pr. 79 Setting	X66 Signal State		Remarks	
		ON (NET)	OFF(external)		
0 (initial value), 1, 2	0 (initial value)	NET operation mode *1	External operation mode *2		
	1	PU operation mode		Fixed to PU operation mode	
	2	NET operation mode *1	External operation mode	Cannot be switched to PU operation mode	
	3, 4	External/PU combined operation mode		External/PU combined mode fixed	
	6	NET operation mode *1	External operation mode *2	Operation mode can be switched with operation continued	
	7	X12(MRS) ON	NET operation mode *1	External operation mode *2	Output stop in external operation mode
		X12(MRS) OFF	External operation mode		Forcibly switched to external operation mode

*1 PU operation mode is selected when Pr. 550 NET mode operation command source selection = "1" (communication option control source) and the communication option is not fitted.
 *2 PU operation is selected when the X16 signal is off. When the X65 signal has been assigned, the operation mode changes with the ON/OFF state of the X65 signal.

REMARKS

- The priorities of Pr. 79, Pr. 340 and signals are Pr. 79 > X12 > X66 > X65 > X16 > Pr. 340.

CAUTION

- Changing the terminal assignment using Pr. 178 to Pr. 189 (input terminal function selection) may affect the other functions. Please make setting after confirming the function of each terminal.

◆ Parameters referred to ◆

- Pr. 15 Jog frequency Refer to page 160
- Pr. 4 to 6, Pr. 24 to 27, Pr. 232 to Pr. 239 Multi-speed operation Refer to page 158
- Pr. 75 Reset selection/disconnected PU detection/PU stop selection Refer to page 289
- Pr. 161 Frequency setting/key lock operation selection Refer to page 375
- Pr. 178 to Pr. 189 (input terminal function selection) Refer to page 219
- Pr. 190 to Pr. 196 (output terminal function selection) Refer to page 226
- Pr. 340 Communication startup mode selection Refer to page 303
- Pr. 550 NET mode operation command source selection Refer to page 304

4.23.2 Operation mode at power on (Pr. 79, Pr. 340)

When power is switched on or when power comes back on after instantaneous power failure, the inverter can be started up in network operation mode.

After the inverter has started up in the network operation mode, parameter write and operation can be performed from a program.

Set this mode for communication operation using the RS-485 terminals or communication option.

Parameter Number	Name	Initial Value	Setting Range	Description
79	Operation mode selection	0	0 to 4, 6, 7	Select the operation mode. (Refer to page 297.)
340 *	Communication startup mode selection	0	0	As set in Pr. 79.
			1, 2	Started in network operation mode. When the setting is "2", it will resume the pre-instantaneous power failure operation mode after an instantaneous power failure occurs.
			10, 12	Started in network operation mode. Operation mode can be changed between the PU operation mode and network operation mode from the operation panel. When the setting is "12", it will resume the pre-instantaneous power failure operation mode after an instantaneous power failure occurs.

The above parameters can be changed during a stop in any operation mode.

* The parameters can be set whenever the communication option is connected. (Refer to page 293.).

(1) Specify operation mode at power on (Pr. 340)


Depending on the Pr. 79 and Pr. 340 settings, the operation mode at power on (reset) changes as described below.

Pr. 340 Setting	Pr. 79 Setting	Operation Mode at Power on, Power Restoration, Reset	Operation Mode Switching
0 (initial value)	0 (initial value)	External operation mode	Switching among the external, PU, and NET operation mode is enabled *2
	1	PU operation mode	Fixed to PU operation mode
	2	External operation mode	Switching between the external and Net operation mode is enabled Switching to PU operation mode is disabled
	3, 4	External/PU combined operation mode	Operation mode switching is disabled
	6	External operation mode	Switching among the external, PU, and NET operation mode is enabled while running
	7	X12 (MRS) signal ONExternal operation mode	Switching among the external, PU, and NET operation mode is enabled *2
X12 (MRS) signal OFF ...External operation mode		Fixed to external operation mode (forcibly switched to external operation mode.)	
1, 2 *1	0	NET operation mode	Same as when Pr. 340 = "0"
	1	PU operation mode	
	2	NET operation mode	
	3, 4	External/PU combined operation mode	
	6	NET operation mode	
	7	X12 (MRS) signal ONNET operation mode	
X12 (MRS) signal OFF ...External operation mode			
10, 12 *1	0	NET operation mode	Switching between the PU and NET operation mode is enabled *3
	1	PU operation mode	Same as when Pr. 340 = "0"
	2	NET operation mode	Fixed to NET operation mode
	3, 4	External/PU combined operation mode	Same as when Pr. 340 = "0"
	6	NET operation mode	Switching among the external, PU, and NET operation mode is enabled while running *3
	7	External operation mode	Same as when Pr. 340 = "0"


*1 The Pr. 340 setting "2" or "12" is mainly used for communication operation using the inverter RS-485 terminals. When a value other than "9999" (selection of automatic restart after instantaneous power failure) is set in Pr. 57 Restart coasting time, the inverter will resume the same operation state which was in before after power has been restored from an instantaneous power failure.

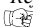
When Pr. 340 = "1, 10", a start command turns off if power failure has occurred and then restored during a start command is on.

*2 The operation mode cannot be switched directly between the PU operation mode and network operation mode.

*3 Operation mode can be changed between the PU operation mode and network operation mode with  key of the operation panel (FR-DU07) and X65 signal.

◆ Parameters referred to ◆

Pr. 57 Restart coasting time  Refer to page 250.

Pr. 79 Operation mode selection  Refer to page 295.

4.23.3 Operation command source and speed command source during communication operation (Pr. 338, Pr. 339, Pr. 550, Pr. 551)

When the RS-485 terminals or communication option is used, the external operation command and speed command can be made valid. Also, the control command source in the PU operation mode can be selected.

Parameter Number	Name	Initial Value	Setting Range	Description
338	Communication operation command source	0	0	Operation command source communication
			1	Operation command source external
339	Communication speed command source	0	0	Speed command source communication
			1	Speed command source external (Frequency setting from communication is invalid, terminal 2 and 1 setting from external is valid)
			2	Speed command source external (Frequency setting from communication is valid, terminal 2 and 1 setting from external is invalid)
550 *	NET mode operation command source selection	9999	0	Communication option valid
			1	RS-485 terminals valid
			9999	Automatic recognition of the communication option Normally, the RS-485 terminals are valid. When the communication option is fitted, the communication option is valid.
551 *	PU mode operation command source selection	2	1	Select the RS-485 terminals as the PU operation mode control source.
			2	Select the PU connector as the PU operation mode control source.
			3	Select the USB connector as the PU operation mode control source.

The above parameters can be set whenever the communication option is connected. (Refer to page 293.)

* Pr. 550 and Pr. 551 are always write-enabled.

(1) Select the control source of the network operation mode (Pr. 550)

- Either the RS-485 terminals or communication option can be specified as the source of control in network operation mode.
- For example, set Pr. 550 to "1" when executing parameter write, start command or frequency setting from the inverter RS-485 terminals in the network operation mode independently of whether the communication option is connected or not.

CAUTION

- Since Pr. 550 = "9999" (automatic recognition of the communication option) in the initial setting, parameter write, start command and frequency setting cannot be executed by communication using the inverter RS-485 terminals when the communication option is fitted. (Monitor and parameter read can be performed.)

(2) Select the control source of the PU operation mode (Pr. 551)

- Either the PU connector, RS-485 terminals or USB connector can be specified as the source of control in the PU operation mode.
- In the PU operation mode, set Pr. 551 to "1" when executing parameter write, start command or frequency setting through communication from the unit RS-485 terminals. Set Pr. 551 to "3" for communication from the USB connector.

CAUTION

- The PU operation mode has a higher priority when Pr. 550 = "1" (NET mode RS-485 terminals) and Pr. 551 = "1" (PU mode RS-485 terminals). When the communication option is not fitted, therefore, the operation mode cannot be switched to network operation mode.
- Changed setting value is made valid when powering on or resetting the inverter.

Pr. 550 Setting	Pr. 551 Setting	Operation Mode of Control Source				Remarks
		PU connector	USB connector	RS-485 terminals	Communication option	
0	1	×	×	PU operation mode ^{*1}	NET operation mode ^{*2}	
	2 (initial value)	PU operation mode	×	×	NET operation mode ^{*2}	
	3	×	PU operation mode	×	NET operation mode ^{*2}	
1	1	×	×	PU operation mode ^{*1}	×	Switching to NET operation mode disabled
	2 (initial value)	PU operation mode	×	NET operation mode	×	
	3	×	PU operation mode	NET operation mode	×	
9999 (initial value)	1	×	×	PU operation mode ^{*1}	NET operation mode ^{*2}	
	2 (initial value)	PU operation mode	×	×	NET operation mode ^{*2}	Communication option fitted
				NET operation mode	×	Communication option not fitted
	3	×	PU operation mode	×	NET operation mode ^{*2}	Communication option fitted
NET operation mode				×	Communication option not fitted	

*1 The Modbus-RTU protocol cannot be used in the PU operation mode. When using the Modbus-RTU protocol, set Pr. 551 to "2".

*2 When the communication option is not fitted, the operation mode cannot be switched to network operation mode.

(3) Controllability through communication

Operation Location	Condition (Pr. 551 Setting)	Operation Mode	PU Operation	External Operation	External/PU Combined Operation Mode 1 (Pr. 79 = 3)	External/PU Combined Operation Mode 2 (Pr. 79 = 4)	NET Operation (when RS-485 terminals are used) *6	NET Operation (when communication option is used) *7
		Item						
Control by RS-485 communication from PU connector or, operation from the USB connector	2 (PU connector) or 3 (USB connector)	Run command (start, stop)	○	★ *3	★ *3	○	★ *3	
		Running frequency setting	○	×	○	×	×	
		Monitor	○	○	○	○	○	
		Parameter write	○ *4	×	○ *4	○ *4	×	
		Parameter read	○	○	○	○	○	
		Inverter reset	○	○	○	○	○	
	Except for 2 (3)	Run command (start, stop)	★ *3	★ *3	★ *3	★ *3	★ *3	
		Running frequency setting	×	×	×	×	×	
		Monitor	○	○	○	○	○	
		Parameter write	×	×	×	×	×	
		Parameter read	○	○	○	○	○	
		Inverter reset	○	○	○	○	○	
Control by communication from RS-485 terminals	1 (RS-485 terminals)	Run command (start, stop)	○	×	×	○	×	
		Running frequency setting	○	×	○	×	×	
		Monitor	○	○	○	○	○	
		Parameter write	○ *4	×	○ *4	○ *4	×	
		Parameter read	○	○	○	○	○	
		Inverter reset	○	○	○	○	○	
	Except for 1	Run command (start, stop)	×	×	×	×	○ *1	×
		Running frequency setting	×	×	×	×	○ *1	×
		Monitor	○	○	○	○	○	
		Parameter write	×	×	×	×	○ *4	×
		Parameter read	○	○	○	○	○	
		Inverter reset	×	×	×	×	○ *2	×
Control by communication from communication option	—	Run command (start, stop)	×	×	×	×	×	○ *1
		Running frequency setting	×	×	×	×	×	○ *1
		Monitor	○	○	○	○	○	
		Parameter write	×	×	×	×	×	○ *4
		Parameter read	○	○	○	○	○	
		Inverter reset	×	×	×	×	×	○ *2
Control circuit external terminals	—	Inverter reset	○	○	○	○	○	
		Run command (start, stop)	×	○	○	×	×	
		Frequency setting	×	○	×	○	×	

○: Enabled, ×: Disabled, ★: Some are enabled

- *1 As set in Pr. 338 Communication operation command source and Pr. 339 Communication speed command source. (Refer to page 304)
- *2 At occurrence of RS-485 communication error, the inverter cannot be reset from the computer.
- *3 Enabled only when stopped by the PU. At a PU stop, PS is displayed on the operation panel. As set in Pr. 75 Reset selection/disconnected PU detection/PU stop selection. (Refer to page 289)
- *4 Some parameters may be write-disabled according to the Pr. 77 Parameter write selection setting and operating status. (Refer to page 292)
- *5 Some parameters are write-enabled independently of the operation mode and command source presence/absence. When Pr. 77 = 2, write is enabled. (Refer to page 63 for the parameter list)Parameter clear is disabled.
- *6 When Pr. 550 NET mode operation command source selection = 1 (RS-485 terminals valid) or Pr. 550 NET mode operation command source selection = 9999 and the communication option is not fitted.
- *7 When Pr. 550 NET mode operation command source selection = 0 (communication option valid) or Pr. 550 NET mode operation command source selection = 9999 and the communication option is fitted.

(4) Operation at alarm occurrence

Alarm Definition	Operation Mode Condition (Pr. 551 setting)	PU Operation	External Operation	External/PU Combined Operation Mode 1 (Pr. 79 = 3)	External/PU Combined Operation Mode 2 (Pr. 79 = 4)	NET Operation (when RS-485 terminals are used) *5	NET Operation (when communication option is used) *6
Inverter fault	—	Stop					
PU disconnection of the PU connector	2 (PU connector)	Stop/continued *1, 4					
	1 (RS-485 terminals)	Stop/continued *1					
Communication alarm of PU connector	2 (PU connector)	Stop/continued *2	Continued	Stop/continued *2	Continued		
	1 (RS-485 terminals)	Continued					
Communication alarm of RS-485 terminals	1 (RS-485 terminals)	Stop/continued *2	Continued	Stop/continued *2	Continued		
	2 (PU connector)	Continued				Stop/continued *2	Continued
Communication alarm of USB connector	3 (USB connector)	Stop/continued *2	Continued	Stop/continued *2	Continued		
	Except for 3	Continued					
Communication alarm of communication option	—	Continued				Stop/continued *3	Continued

*1 Can be selected using Pr. 75 Reset selection/disconnected PU detection/PU stop selection

*2 Can be selected using Pr. 122 PU communication check time interval, Pr. 336 RS-485 communication check time interval or Pr. 548 USB communication check time interval.

*3 As controlled by the communication option.

*4 In the PU jog operation mode, operation is always stopped when the PU is disconnected. Whether error (E.PEU) occurrence is allowed or not is as set in Pr. 75 Reset selection/disconnected PU detection/PU stop selection.

*5 When Pr. 550 NET mode operation command source selection = 1 (RS-485 terminals valid) or Pr. 550 NET mode operation command source selection = 9999 and the communication option is not fitted

*6 When Pr. 550 NET mode operation command source selection = 0 (communication option valid) or Pr. 550 NET mode operation command source selection = 9999 and the communication option is fitted

(5) Selection of control source in network operation mode (Pr. 338, Pr. 339)

- As control sources, there are the operation command sources that control the signals related to the inverter start command and function selection and the speed command source that controls the signals related to frequency setting.
- In network operation mode, the commands from the external terminals and communication (RS-485 terminals or communication option) are as listed below.

Operation Location Selection	Pr. 338 Communication operation command source		0: NET			1: External			Remarks	
	Pr. 339 Communication speed command source		0: NET	1:External	2:External	0: NET	1:External	2:External		
Fixed function (Terminal-equivalent function)	Running frequency from communication		NET	—	NET	NET	—	NET		
	Terminal 2		—	External	—	—	External	—		
	Terminal 4		—	External			—	External		
	Terminal 1		Compensation							
Selective function Pr. 178 to Pr. 189 setting	0	RL	Low speed operation command/remote setting clear stop-on-contact selection 0	NET	External		NET	External		Pr. 59 = "0" (multi-speeds) Pr. 59 = "1, 2" (remote) Pr. 270 = "1, 3" (stop-on-contact)
	1	RM	Middle-speed operation command/remote setting deceleration	NET	External		NET	External		
	2	RH	High speed operation command/remote setting acceleration	NET	External		NET	External		
	3	RT	Second function selection/ Stop-on contact selection 1	NET			External			Pr. 270 = "1, 3" (stop-on-contact)
	4	AU	Current input selection	—	Combined		—	Combined		
	5	JOG	Jog operation selection	—			External			
	6	CS	Selection of automatic restart after instantaneous power failure	External						
	7	OH	External thermal relay input	External						
	8	REX	Fifteen speed selection	NET	External		NET	External		Pr. 59 = "0" (multi-speeds)
	9	X9	Third function selection	NET			External			
	10	X10	Inverter operation enable signal	External						
	11	X11	FR-HC connection, instantaneous power failure detection	External						
	12	X12	PU operation external interlock	External						
	13	X13	External DC injection brake operation start	NET			External			
	14	X14	PID control valid terminal	NET	External		NET	External		
	15	BRI	Brake opening completion signal	NET			External			
	16	X16	PU-external operation switchover	External						
	17	X17	Load pattern selection forward rotation reverse rotation boost	NET			External			
	18	X18	V/F switching	NET			External			
	19	X19	Load torque high-speed frequency	NET			External			
	20	X20	S-pattern acceleration/deceleration C switchover	NET			External			
	22	X22	Orientation command	NET			External			
	23	LX	Pre-excitation	NET			External			
	24	MRS	Output stop	Combined			External			Pr. 79 ≠ "7"
			PU operation interlock	External						Pr. 79 = "7" When X12 signal is not assigned
	25	STOP	Start self-holding selection	—			External			
	26	MC	Control mode switchover	NET			External			
	27	TL	Torque limit selection	NET			External			
28	X28	Start-time tuning start external input	NET			External				
37	X37	Traverse function selection	NET			External				

Operation Location Selection	Pr. 338 Communication operation command source			0: NET			1: External			Remarks
	Pr. 339 Communication speed command source			0: NET	1:External	2:External	0: NET	1:External	2:External	
Selective function Pr. 178 to Pr. 189 setting	42	X42	Torque bias selection 1	NET			External			
	43	X43	Torque bias selection 2	NET			External			
	44	X44	P/PI control switchover	NET			External			
	50	SQ	Sequence start	NET			External			
	60	STF	Forward rotation command	NET			External			
	61	STR	Reverse rotation command	NET			External			
	62	RES	Reset				External			
	63	PTC	PID forward action switchover				External			
	64	X64	PID forward action switchover	NET	External		NET	External		
	65	X65	PU-NET operation switchover				External			
	66	X66	External-NET operation switchover				External			
	67	X67	Command source switchover				External			
	68	NP	Conditional position pulse train sign				External			
	69	CLR	Conditional position droop pulse clear				External			
70	X70	DC feeding operation permission	NET			External				
71	X71	DC feeding cancel	NET			External				

[Explanation of table]

- External : Control is valid only from external terminal signal.
- NET : Control only from communication is valid
- Combined : Control is valid from either of external terminal and communication.
- : Control is invalid from either of external terminal and communication.
- Compensation : Control by signal from external terminal is only valid when Pr. 28 Multi-speed input compensation selection = "1"

REMARKS

- The control source of communication is as set in Pr. 550 and Pr. 551.

(6) Switching of command source by external terminal (X67)

- In network operation mode, the command source switching signal (X67) can be used to switch the operation command source and speed command source. This signal can be utilized to control the signal input from both the external terminal and communication.
- Set "67" in any of Pr. 178 to Pr. 189 (input terminal function selection) to assign the X67 signal to the external terminal.
- When the X67 signal is off, the operation command source and speed command source are external.

X67 Signal State	Operation Command Source	Speed Command Source
No signal assignment	According to Pr. 338	According to Pr. 339
ON		
OFF	Operation is valid only from external terminal signal.	




REMARKS

- The ON/OFF state of the X67 signal is reflected only during a stop. It is reflected after a stop when the terminal is switched during operation.
- When the X67 signal is off, a reset via communication is disabled.

CAUTION

- Changing the terminal assignment using Pr. 178 to Pr. 189 (input terminal function selection) may affect the other functions. Please make setting after confirming the function of each terminal.

◆ Parameters referred to ◆

- Pr. 28 Multi-speed input compensation selection  Refer to page 162.
- Pr. 59 Remote function selection  Refer to page 162.
- Pr. 79 Operation mode selection  Refer to page 295.

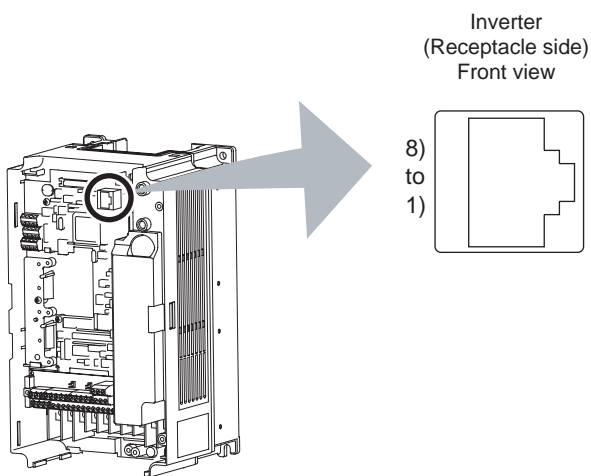
4.24 Communication operation and setting

Purpose	Parameter that must be Set		Refer to Page
Communication operation from PU connector	Initial setting of computer link communication (PU connector)	Pr. 117 to Pr. 124	314
Communication operation from RS-485 terminals	Initial setting of computer link communication (RS-485 terminals)	Pr. 331 to Pr. 337, Pr. 341	
	Modbus-RTU communication specifications	Pr. 331, Pr. 332, Pr. 334, Pr. 343, Pr. 549	327
Restrictions on parameter write through communication	Communication EEPROM write selection	Pr. 342	315
Operation by PLC function	PLC function	Pr. 414 to Pr. 417, Pr. 498, Pr. 506 to Pr. 515	341
Communication using USB (FR-Configurator)	USB communication	Pr. 547, Pr. 548	342

4.24.1 Wiring and configuration of PU connector

Using the PU connector, you can perform communication operation from a personal computer etc. When the PU connector is connected with a personal, FA or other computer by a communication cable, a user program can run and monitor the inverter or read and write to parameters.

(1) PU connector pin-outs



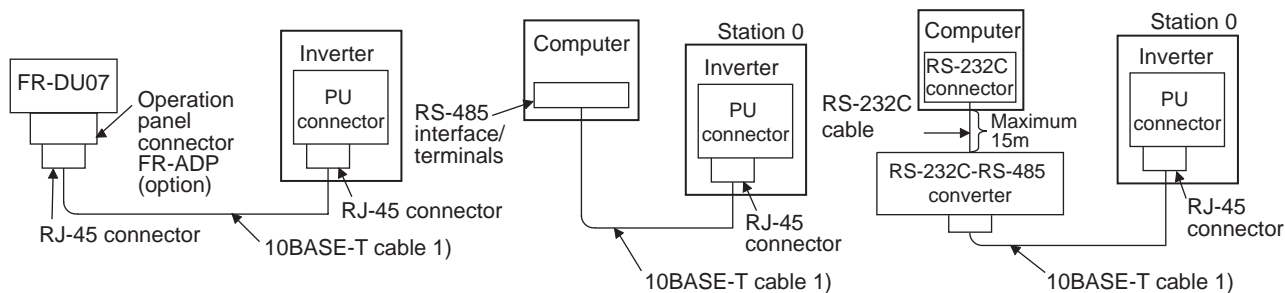
Pin Number	Name	Description
1)	SG	Earth (Ground) (connected to terminal 5)
2)	—	Operation panel power supply
3)	RDA	Inverter receive+
4)	SDB	Inverter send-
5)	SDA	Inverter send+
6)	RDB	Inverter receive-
7)	SG	Earth (Ground) (connected to terminal 5)
8)	—	Operation panel power supply

CAUTION

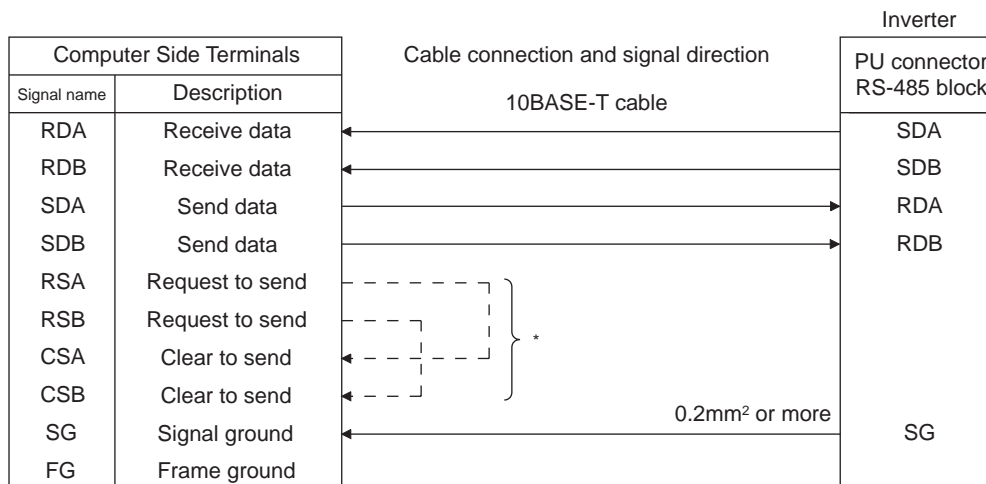
- Pins No. 2 and 8 provide power to the operation panel or parameter unit. Do not use these pins for RS-485 communication.
- Do not connect the PU connector to the computer's LAN board, FAX modem socket or telephone modular connector. The product could be damaged due to differences in electrical specifications.

(2) PU connector communication system configuration and wiring

● System configuration



● Connection with RS-485 computer



* Make connections in accordance with the manual of the computer used. Fully check the terminal numbers of the computer since they change with the model.

REMARKS

- Computer-inverter connection cable
Refer to the following for the cable (RS-232C ↔ RS-485 converter) for connection of the computer having the RS-232C interface with the inverter. Commercially available product examples (as of April, 2004)

Type	Maker
FA-T-RS40□ *	Mitsubishi Electric Engineering Co., Ltd.

* The converter cable cannot connect two or more inverters (the computer and inverter are connected on a 1:1 basis). Since the product is packed with the RS-232C cable and RS-485 cable (10BASE-T + RJ-45 connector), the cable and connector need not be prepared separately. Contact a maker for details of the product.

- Refer to the following when fabricating the cable on the user side.
Commercially available product examples (as of April, 2004)

	Product	Type	Maker
1)	10BASE-T cable	SGLPEV-T 0.5mm × 4P *	Mitsubishi Cable Industries, Ltd.

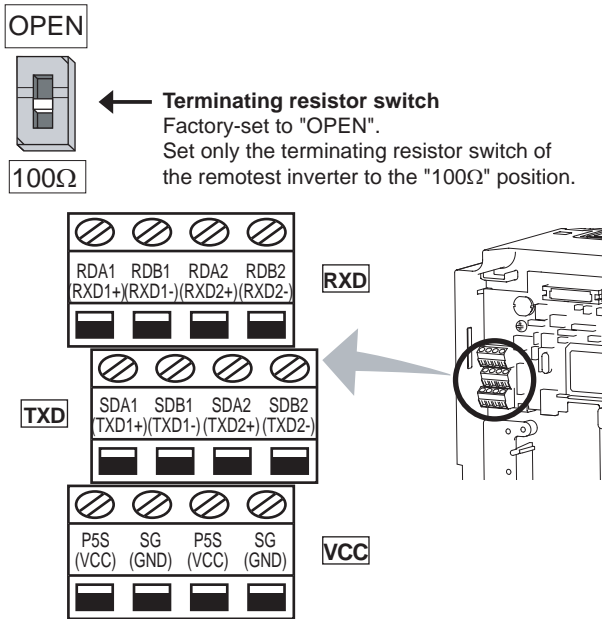
* Do not use pins No. 2, 8 of the 10-BASE-T cable.

CAUTION

When performing RS-485 communication with multiple inverters, use the RS-485 terminals. (Refer to page 312)

4.24.2 Wiring and arrangement of RS-485 terminals

(1) RS-485 terminal layout



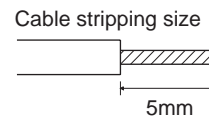
Name	Description
RDA1 (RXD1+)	Inverter receive+
RDB1 (RXD1-)	Inverter receive-
RDA2 (RXD2+)	Inverter receive+ (for branch)
RDB2 (RXD2-)	Inverter receive- (for branch)
SDA1 (TXD1+)	Inverter send+
SDB1 (TXD1-)	Inverter send-
SDA2 (TXD2+)	Inverter send+ (for branch)
SDB2 (TXD2-)	Inverter send- (for branch)
P5S (VCC)	5V Permissible load current 100mA
SG (GND)	Earth (Ground) (connected to terminal SD)

(2) Connection of RS-485 terminals and wires

Loosen the terminal screw and insert the cable into the terminal.

Screw size	M2
Tightening torque	0.22N·m to 0.25N·m
Cable size	0.3mm ² to 0.75mm ²
Screwdriver	Small ⊖ flat-blade screwdriver (Tip thickness: 0.4mm /tip width: 2.5mm)

Wire the stripped cable after twisting it to prevent it from becoming loose. In addition, do not solder it.



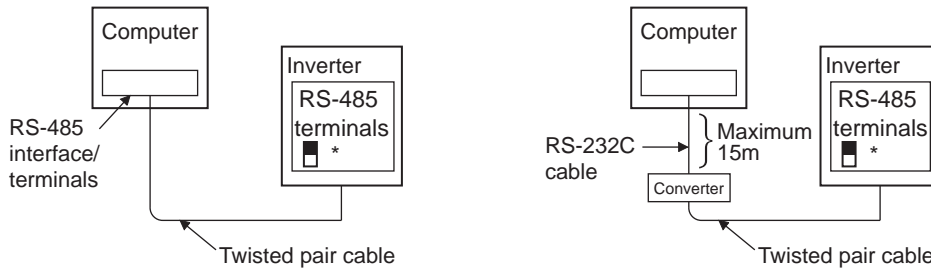
Use a bar terminal as necessary.

CAUTION

Undertightening can cause signal loss or malfunction. Overtightening can cause a short circuit or malfunction due to damage to the screw or unit.

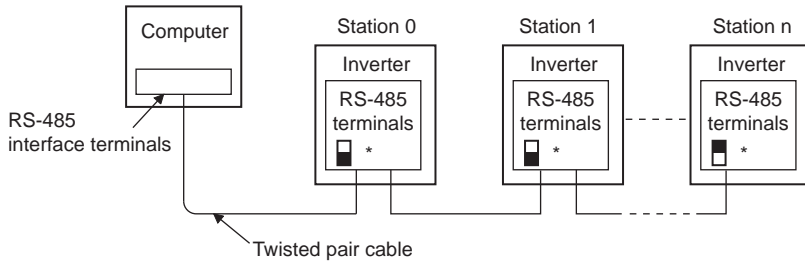
(3) RS-485 terminal system configuration

● Connection of a computer to the inverter (1:1 connection)

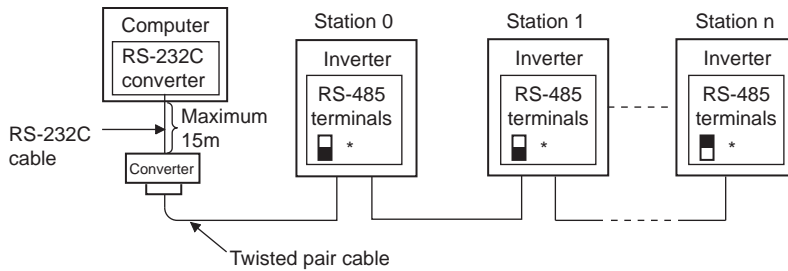


*Set the terminating resistor switch to the "100Ω" position.

● Combination of computer and multiple inverters (1:n connection)



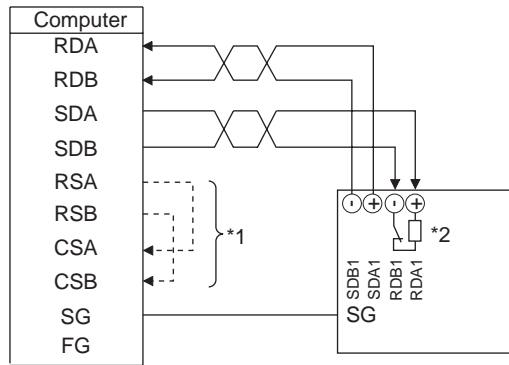
*Set only the terminating resistor switch of the remotest inverter to the "100Ω" position.



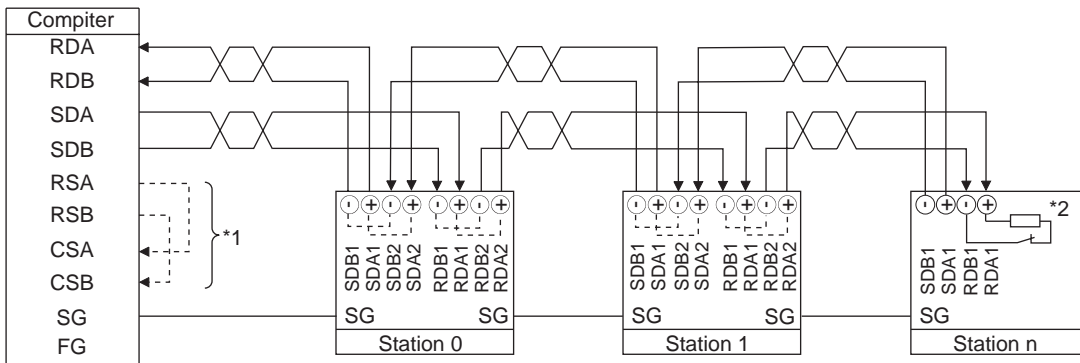
*Set only the terminating resistor switch of the remotest inverter to the "100Ω" position.

(4) RS-485 terminal wiring method

● Wiring of one RS-485 computer and one inverter



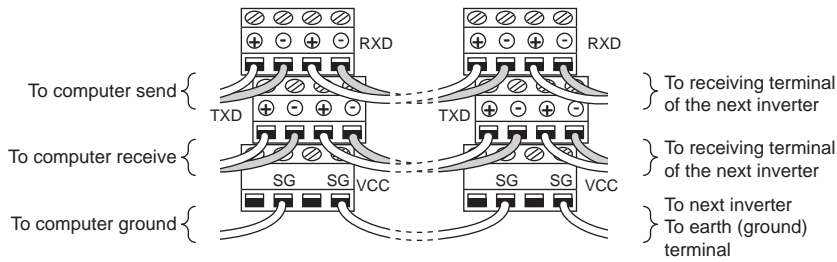
● Wiring of one RS-485 computer and "n" inverters (several inverters)



- *1 Make connections in accordance with the manual of the computer used. Fully check the terminal numbers of the computer since they change with the model.
- *2 For the inverter farthest from the computer, set the terminating resistor switch to ON (100Ω side).

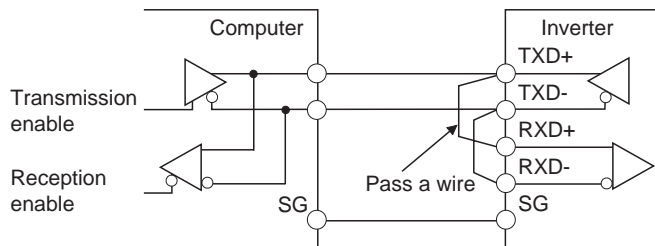
REMARKS

For branching, connect the wires as shown below.



(5) 2-wire type connection

If the computer is 2-wire type, pass wires across receiving terminals and transmission terminals of the RS-485 terminals to enable 2-wire type connection with the inverter.



REMARKS

- A program should be created so that transmission is disabled (receiving state) when the computer is not sending and reception is disabled (sending state) during sending to prevent the computer from receiving its own data.

4.24.3 Initial settings and specifications of RS-485 communication (Pr. 117 to Pr. 124, Pr. 331 to Pr. 337, Pr. 341, Pr. 549)

Used to perform required settings for communication between the inverter and personal computer.

- There are two different communications: communication using the PU connector of the inverter and communication using the RS-485 terminals.
- You can perform parameter setting, monitor, etc. from the PU connector or RS-485 terminals of the inverter using the Mitsubishi inverter protocol (computer link communication).
- To make communication between the personal computer and inverter, initialization of the communication specifications must be made to the inverter.
Data communication cannot be made if the initial settings are not made or there is any setting error.

[PU connector communication related parameter]

Parameter Number	Name	Initial Value	Setting Range	Description	
117	PU communication station number	0	0 to 31	Specify the inverter station number. Set the inverter station numbers when two or more inverters are connected to one personal computer.	
118	PU communication speed	192	48, 96, 192, 384	Set the communication speed. The setting value × 100 equals the communication speed. For example, the communication speed is 19200bps when the setting value is "192".	
119	PU communication stop bit length	1		Stop bit length	Data length
			0	1bit	8bit
			1	2bit	
			10	1bit	7bit
11	2bit				
120	PU communication parity check	2	0	Without parity check	
			1	With odd parity check	
			2	With even parity check	
121	Number of PU communication retries	1	0 to 10	Set the permissible number of retries at occurrence of a data receive error. If the number of consecutive errors exceeds the permissible value, the inverter will come to an alarm stop.	
			9999	If a communication error occurs, the inverter will not come to an alarm stop.	
122	PU communication check time interval	9999	0	No PU connector communication	
			0.1 to 999.8s	Set the interval of communication check time. If a no-communication state persists for longer than the permissible time, the inverter will come to an alarm stop.	
			9999	No communication check (signal loss detection)	
123	PU communication waiting time setting	9999	0 to 150ms	Set the waiting time between data transmission to the inverter and response.	
			9999	Set with communication data.	
124	PU communication CR/LF presence/absence selection	1	0	Without CR/LF	
			1	With CR	
			2	With CR/LF	

[RS-485 terminal communication related parameter]

Parameter Number	Name	Initial Value	Setting Range	Description
331	RS-485 communication station number	0	0 to 31 (0 to 247) ^{*1}	Set the inverter station number. (same specifications as Pr. 117)
332	RS-485 communication speed	96	3, 6, 12, 24, 48, 96, 192, 384	Used to select the communication speed. (same specifications as Pr. 118)
333 ^{*2}	RS-485 communication stop bit length	1	0, 1, 10, 11	Select stop bit length and data length. (same specifications as Pr. 119)
334	RS-485 communication parity check selection	2	0, 1, 2	Select the parity check specifications. (same specifications as Pr. 120)
335 ^{*3}	RS-485 communication retry count	1	0 to 10, 9999	Set the permissible number of retries at occurrence of a data receive error. (same specifications as Pr. 121)
336 ^{*3}	RS-485 communication check time interval	0s	0	RS-485 communication can be made, but the inverter will come to an alarm stop in the NET operation mode.
			0.1 to 999.8s	Set the interval of communication check time. (same specifications as Pr. 122)
			9999	No communication check (signal loss detection)
337 ^{*3}	RS-485 communication waiting time setting	9999	0 to 150ms, 9999	Set the waiting time between data transmission to the inverter and response. (same specifications as Pr. 123)
341 ^{*3}	RS-485 communication CR/LF selection	1	0, 1, 2	Select presence/absence of CR/LF. (same specifications as Pr. 124)
549	Protocol selection	0	0	Mitsubishi inverter (computer link) protocol
			1	Modbus-RTU protocol ^{*4}

*1 When "1" (Modbus-RTU protocol) is set in Pr. 549, the setting range within parenthesis is applied.

*2 For the Modbus-RTU protocol, the data length is fixed to 8 bits and the stop bit depends on the Pr. 334 setting. (Refer to page 327)

*3 The Modbus-RTU protocol becomes invalid.

*4 The Modbus-RTU protocol is valid for only communication from the RS-485 terminals.

CAUTION

· If communication is made without Pr. 336 RS-485 communication check time interval being changed from "0" (initial value), monitor, parameter read, etc. can be performed, but the inverter results in an alarm as soon as it is switched to the NET operation mode. If the operation mode at power on is the network operation mode, a communication alarm (E.SER) occurs after first communication.

When performing operation or parameter write through communication, set "9999" or a greater value to Pr. 336. (The setting depends on the computer side program.) (Refer to page 320)

· Always reset the inverter after making the initial settings of the parameters. After you have changed the communication-related parameters, communication cannot be made until the inverter is reset.

4.24.4 Communication EEPROM write selection (Pr. 342)

Parameters written via the inverter's PU connector, RS-485 terminals, USB communication or from the communication option can be written to the RAM. Set this parameter when frequent parameter changes are required.

Parameter Number	Name	Initial Value	Setting Range	Description
342	Communication EEPROM write selection	0	0	Parameter values written by communication are written to the EEPROM and RAM.
			1	Parameter values written by communication are written to the RAM.

The above parameters can be set any time when the communication option is connected. (Refer to page 293)

· When changing the parameter values frequently, set "1" in Pr. 342 to write them to the RAM. The life of the EEPROM will be shorter if parameter write is performed frequently with the setting unchanged from "0 (initial value)" (EEPROM write).

REMARKS

· When Pr. 342 is set to "1" (only RAM write), the new values of the parameters will be cleared at power supply-off of the inverter. Therefore, the parameter values available when power is switched on again are the values stored in EEPROM previously.

4.24.5 Mitsubishi inverter protocol (computer link communication)

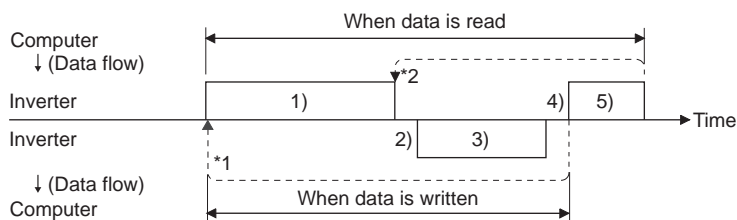
You can perform parameter setting, monitor, etc. from the PU connector or RS-485 terminals of the inverter using the Mitsubishi inverter protocol (computer link communication).

(1) Communication specifications

The communication specifications are given below.

Item		Description	Related Parameters
Communication protocol		Mitsubishi protocol (computer link)	Pr. 551
Conforming standard		EIA-485 (RS-485)	—
Number of inverters connected		1:N (maximum 32 units), setting is 0 to 31 stations	Pr. 117 Pr. 331
Communication speed	PU connector	Selected from among 4800/9600/19200 and 38400bps	Pr. 118
	RS-485 terminal	Can be selected from 300, 600, 1200, 2400, 4800, 9600, 19200 and 38400bps	Pr. 332
Control protocol		Asynchronous system	—
Communication method		Half-duplex system	—
Communication specifications	Character system	ASCII (7 bits or 8 bits can be selected)	Pr. 119 Pr. 333
	Start bit	1bit	—
	Stop bit length	1 bit or 2 bits can be selected	Pr. 119 Pr. 333
	Parity check	Check (even, odd) or no check can be selected	Pr. 120 Pr. 334
	Error check	Sum code check	—
	Terminator	CR/LF (presence or absence can be selected)	Pr. 124 Pr. 341
Waiting time setting		Selectable between presence and absence	Pr. 123 Pr. 337

(2) Communication procedure



Data communication between the computer and inverter is made in the following procedure.

- 1) Request data is sent from the computer to the inverter. (The inverter will not send data unless requested.)
- 2) After waiting for the waiting time
- 3) The inverter sends return data to the computer in response to the computer request.
- 4) After having waited for the time taken for inverter processing
- 5) Answer from computer in response to reply data 3) is sent. (Even if 5) is not sent, subsequent communication is made properly.)

*1 If a data error is detected and a retry must be made, execute retry operation with the user program. The inverter comes to an alarm stop if the number of consecutive retries exceeds the parameter setting.

*2 On receipt of a data error occurrence, the inverter returns "reply data 3)" to the computer again. The inverter comes to an alarm stop if the number of consecutive data errors reaches or exceeds the parameter setting.

(3) Communication operation presence/absence and data format types

- Data communication between the computer and inverter is made in ASCII code (hexadecimal code).
- Communication operation presence/absence and data format types are as follows:

Symbol	Operation	Run Command	Running Frequency	Parameter Write	Inverter Reset	Monitor	Parameter Read
1)	Communication request is sent to the inverter in accordance with the user program in the computer.	A A'	A	A	A	B	B
2)	Inverter data processing time	Present	Present	Present	Absent	Present	Present
3)	Reply data from the inverter (Data 1) is checked for error)	No error *1 (Request accepted)	C	C	C	C *2 E E'	E
		With error. (Request rejected)	D	D	D	D *2	D
4)	Computer processing delay time	Absent	Absent	Absent	Absent	Absent	Absent
5)	Answer from computer in response to reply data 3) (Data 3) is checked for error)	No error *1 (No inverter processing)	Absent	Absent	Absent	Absent	Absent (C)
		With error (Inverter re-outputs 3))	Absent	Absent	Absent	Absent	F

*1 In the communication request data from the computer to the inverter, 10ms or more is also required after "no data error (ACK)". (Refer to page 318)

*2 The inverter response to the inverter reset request can be selected. (Refer to page 322)

1)Communication request data from the computer to the inverter

Format	Number of Characters												
	1	2	3	4	5	6	7	8	9	10	11	12	13
A (Data write)	ENQ *1	Inverter station number *2	Instruction code		Waiting time *3	Data					Sum check		*4
A' (Data write)	ENQ *1	Inverter station number *2	Instruction code		Waiting time *3	Data			Sum check		*4		
B (Data read)	ENQ *1	Inverter station number *2	Instruction code		Waiting time *3	Sum check		*4					

3)Reply data from the inverter to the computer

- When data is written

Format	Number of Characters				
	1	2	3	4	5
C (No data error detected)	ACK *1	Inverter station number *2	*4		
D (Data error detected)	NAK *1	Inverter station number *2	Error Code	*4	

- When data is read

Format	Number of Characters										
	1	2	3	4	5	6	7	8	9	10	11
E (No data error detected)	STX *1	Inverter station number *2	Read data					ETX *1	Sum check		*4
E' (No data error detected)	STX *1	Inverter station number *2	Read data			ETX *1	Sum check		*4		
D (Data error detected)	NAK *1	Inverter station number *2	Error Code	*4							

5)Send data from the computer to the inverter during data read

Format	Number of Characters			
	1	2	3	4
C (No data error detected)	ACK *1	Inverter station number *2	*4	
F (Data error detected)	NAK *1	Inverter station number *2	*4	

*1 Indicate a control code

*2 Specify the inverter station numbers between H00 and H1F (stations 0 to 31) in hexadecimal.

*3 When Pr. 123, Pr. 337 (waiting time setting) ≠ "9999", create the communication request data without "waiting time" in the data format. (The number of characters decreases by 1.)

*4 CR, LF code

When data is transmitted from the computer to the inverter, CR (carriage return) and LF (line feed) codes are automatically set at the end of a data group on some computers. In this case, setting must also be made on the inverter according to the computer. Whether the CR and LF codes will be present or absent can be selected using Pr. 124 or Pr. 341 (CR, LF presence/absence selection).

(4) Data definitions

1) Control codes

Signal Name	ASCII Code	Description
STX	H02	Start Of Text (start of data)
ETX	H03	End Of Text (end of data)
ENQ	H05	Enquiry (communication request)
ACK	H06	Acknowledge (no data error detected)
LF	H0A	Line Feed
CR	H0D	Carriage Return
NAK	H15	Negative Acknowledge (data error detected)

2) Inverter station number

Specify the station number of the inverter which communicates with the computer.

3) Instruction code

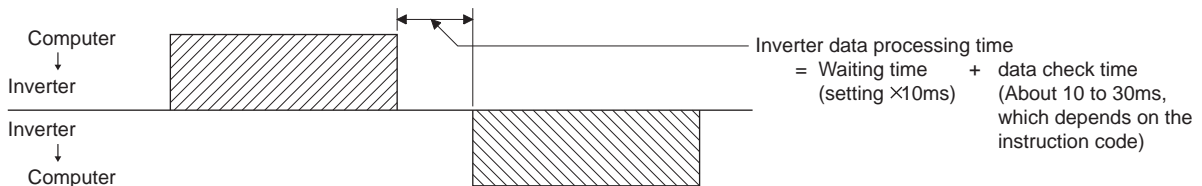
Specify the processing request, e.g. operation or monitoring, given by the computer to the inverter. Hence, the inverter can be run and monitored in various ways by specifying the instruction code as appropriate. (Refer to page 438)

4) Data

Indicates the data such as frequency and parameters transferred to and from the inverter. The definitions and ranges of set data are determined in accordance with the instruction codes. (Refer to page 438)

5) Waiting time

Specify the waiting time between the receipt of data at the inverter from the computer and the transmission of reply data. Set the waiting time in accordance with the response time of the computer between 0 and 150ms in 10ms increments (e.g. 1 = 10ms, 2 = 20ms).

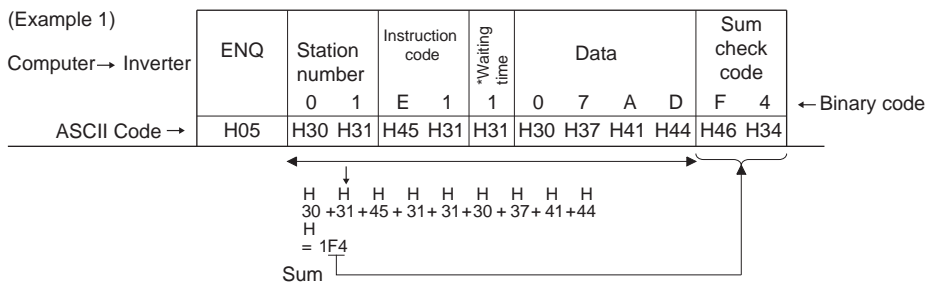


REMARKS

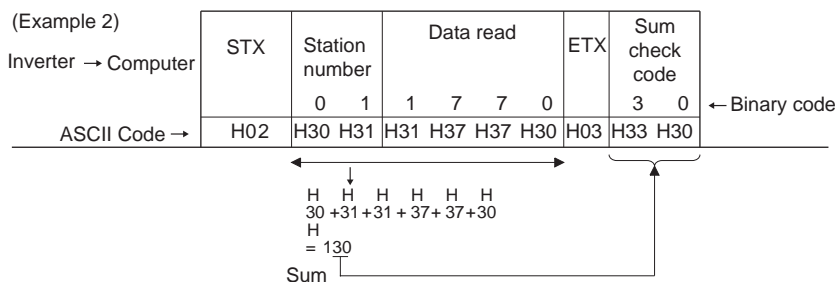
- When Pr. 123, Pr. 337 (waiting time setting) ≠ "9999", create the communication request data without "waiting time" in the data format. (The number of characters decreases by 1.)
- The data check time changes depending on the instruction code. (Refer to page 319)

6) Sum check code

The sum check code is 2-digit ASCII (hexadecimal) representing the lower 1 byte (8 bits) of the sum (binary) derived from the checked ASCII data



* When the Pr. 123 Waiting time setting ≠ "9999", create the communication request data without "waiting time" in the data format. (The number of characters decreases by 1.)

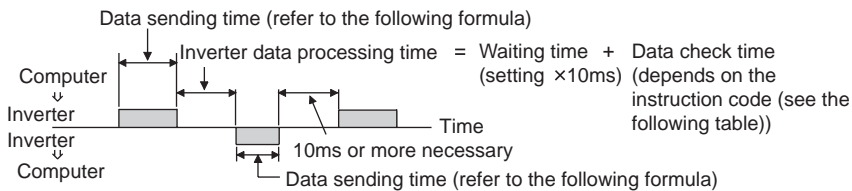


7) Error Code

If any error is found in the data received by the inverter, its definition is sent back to the computer together with the NAK code.

Error Code	Error Item	Error Description	Inverter Operation
H0	Computer NAK error	The number of errors consecutively detected in communication request data from the computer is greater than allowed number of retries.	Brought to an alarm stop if error occurs continuously more than the allowable number of retries. (E.PUE/E.SER)
H1	Parity error	The parity check result does not match the specified parity.	
H2	Sum check error	The sum check code in the computer does not match that of the data received by the inverter.	
H3	Protocol error	The data received by the inverter has a grammatical mistake. Alternatively, data receive is not completed within the predetermined time. CR or LF is not as set in the parameter.	
H4	Framing error	The stop bit length differs from the initial setting.	
H5	Overrun error	New data has been sent by the computer before the inverter completes receiving the preceding data.	
H6	—	—	—
H7	Character error	The character received is invalid (other than 0 to 9, A to F, control code).	Does not accept received data but is not brought to alarm stop.
H8	—	—	—
H9	—	—	—
HA	Mode error	Parameter write was attempted in other than the computer link operation mode, when operation command source is not selected or during inverter operation.	Does not accept received data but is not brought to alarm stop.
HB	Instruction code error	The specified command does not exist.	
HC	Data range error	Invalid data has been specified for parameter write, frequency setting, etc.	
HD	—	—	—
HE	—	—	—
HF	—	—	—

(5) Response time



[Formula for data sending time]

$$\frac{1}{\text{Communication speed (bps)}} \times \text{Number of data characters (Refer to page 317)} \times \text{Communication specifications (total number of bits) (See below.)} = \text{Data send time (s)}$$

●Communication specifications

Name	Number of Bits	
Stop bit length	1 bit 2 bits	
Data length	7 bits 8 bits	
Parity check	Yes	1 bit
	No	0

In addition to the above, 1 start bit is necessary.
 Minimum number of total bits..... 9 bits
 Maximum number of total bits..... 12 bits

●Data check time

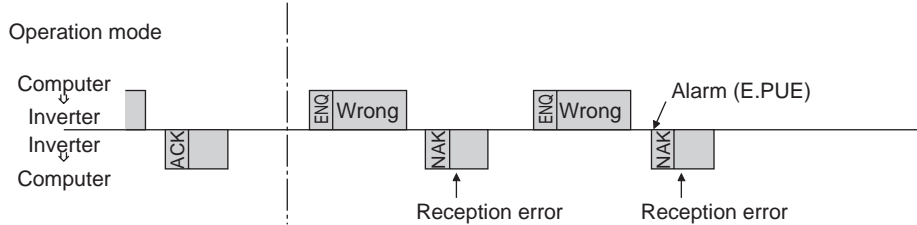
Item	Check Time
Various monitors, run command, frequency setting (RAM)	< 12ms
Parameter read/write, frequency setting (EEPROM)	< 30ms
Parameter clear/all clear	< 5s
Reset command	No answer

(6) Retry count setting (Pr. 121, Pr. 335)

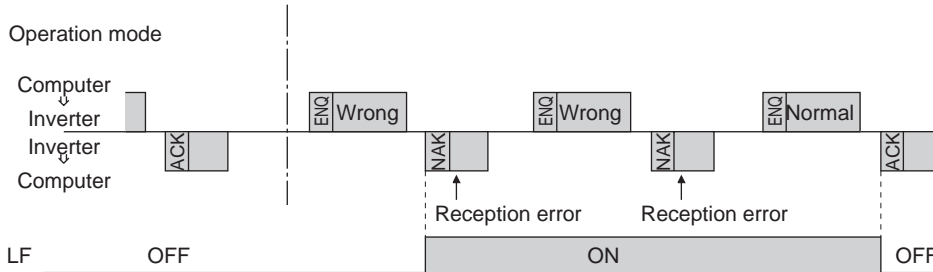
- Set the permissible number of retries at occurrence of a data receive error. (Refer to page 319 for data receive error for retry)
- When data receive errors occur consecutively and exceed the permissible number of retries set, an inverter alarm (E.PUE) is provided and the output is shut off.
- When "9999" is set, an inverter alarm is not provided even if data receive error occurs but a minor fault output signal (LF) is output.

For the terminal used for the LF signal output, assign the function by setting "98 (positive logic) or 198 (negative logic)" in any of Pr. 190 to Pr. 196 (output terminal function selection).

Example: PU connector communication, Pr. 121 = "1" (initial value)



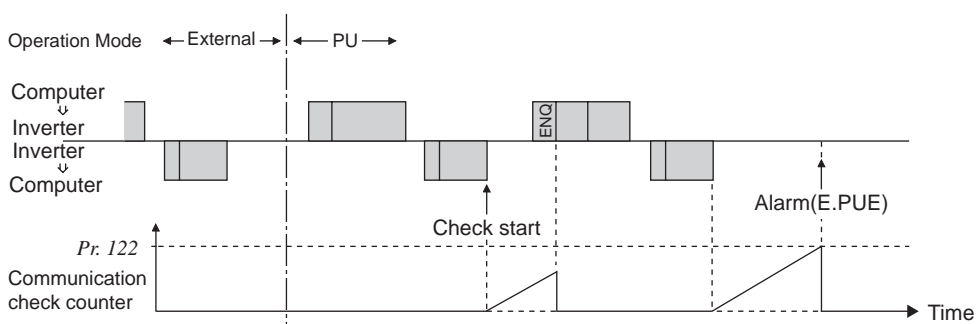
Example: PU connector communication, Pr. 121 = "9999"



(7) Signal loss detection (Pr. 122, Pr. 336 RS-485 communication check time interval)

- If a signal loss (communication stop) is detected between the inverter and computer as a result of a signal loss detection, a communication error (PU connector communication: E.PUE, RS-485 terminal communication: E.SER) occurs and the inverter output is shut off.
- When the setting is "9999", communication check (signal loss detection) is not made.
- When the setting is "0", communication from the PU connector cannot be performed. For communication via the RS-485 terminals, monitor, parameter read, etc. can be performed, but a communication error (E.SER) occurs as soon as the inverter is switched to network operation mode.
- A signal loss detection is made when the setting is any of "0.1s" to "999.8s". To make a signal loss detection, it is necessary to send data (control code refer to page 318) from the computer within the communication check time interval. (The send data has nothing to do with the station number)
- Communication check is started at the first communication in the operation mode having the operation source (PU operation mode for PU connector communication in the initial setting or network operation mode for RS-485 terminal communication).

Example: PU connector communication, Pr. 122 = "0.1 to 999.8s"



(8) Instructions for the program

- 1) When data from the computer has any error, the inverter does not accept that error. Hence, in the user program, always insert a retry program for data error.
- 2) All data communication, e.g. run command or monitoring, are started when the computer gives a communication request. The inverter does not return any data without the computer's request. Hence, design the program so that the computer gives a data read request for monitoring, etc. as required.
- 3) Program example
To change the operation mode to computer link operation

```

10 OPEN"COM1:9600,E,8,2,HD"AS #1
20 COMST1,1,1:COMST1,2,1
30 ON COM(1)GOSUB*REC
40 COM(1)ON
50 D$="01FB10002"
60 S=0
70 FOR I=1 TO LEN(D$)
80 A$=MID$(D$,I,1)
90 A=ASC(A$)
100 S=S+A
110 NEXTI
120 D$=CHR$(&H5)+D$+RIGHT$(HEX$(S),2)
130 PRINT#1,D$
140 GOTO 50
1000 *REC
1010 IF LOC(1)=0 THEN RETURN
1020 PRINT"RECEIVE DATA"
1030 PRINT INPUT$(LOC(1),#1)
1040 RETURN
    
```

Initial setting of I/O file

: Communication file open
: Circuit control signal (RS, ER) ON/OFF setting
: Interrupt definition at data receive
: Interrupt enable

Send data setting

Sum code calculation

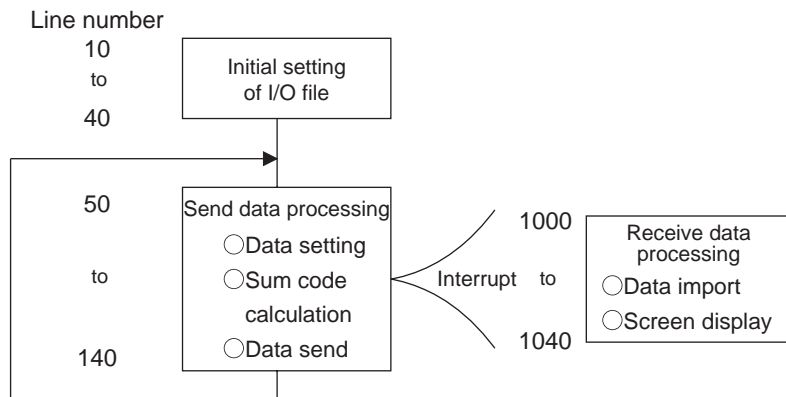
: Addition of control code and sum code

Data transmission

Interrupt data receive

: Interrupt occurrence at data receive

General flow



CAUTION

- Always set the communication check time interval before starting operation to prevent hazardous conditions.
- Data communication is not started automatically but is made only once when the computer provides a communication request. If communication is disabled during operation due to signal loss etc., the inverter cannot be stopped. When the communication check time interval has elapsed, the inverter will come to an alarm stop (E.PUE, E.SER). The inverter can be coasted to a stop by switching on its RES signal or by switching power off.
- If communication is broken due to signal loss, computer fault etc., the inverter does not detect such a fault. This should be fully noted.

(9) Setting items and set data

After completion of parameter setting, set the instruction codes and data then start communication from the computer to allow various types of operation control and monitoring.

No.	Item	Read/Write	Instruction Code	Data Description	Number of Data Digits (format)	
1	Operation mode	Read	H7B	H0000: Network operation H0001: External operation	4 digits (B,E/D)	
		Write	HFB	H0002: PU operation (RS-485 communication operation via PU connector)	4 digits (A,C/D)	
2	Monitor	Output frequency/speed	Read	H6F	H0000 to HFFFF: Output frequency in 0.01Hz increments Speed in 1r/min increments (when Pr. 37 = 1 to 9998 or Pr. 144 = 2 to 10, 102 to 110)	4 digits (B,E/D)
		Output current	Read	H70	H0000 to HFFFF: Output current (hexadecimal) in 0.01A increments (01800 or less) / 0.1A increments (02160 or more)	4 digits (B,E/D)
		Output voltage	Read	H71	H0000 to HFFFF: Output voltage (hexadecimal) in 0.1V increments	4 digits (B,E/D)
		Special monitor	Read	H72	H0000 to HFFFF: Monitor data selected in instruction code HF3	4 digits (B,E/D)
		Special monitor selection No.	Read	H73	H01 to H3C: Monitor selection data Refer to the special monitor No. table (page 324)	2digits (B,E'/D)
			Write	HF3		2digits (A',C/D)
Alarm definition	Read	H74 to H77	H0000 to HFFFF: Two most recent alarm definitions <div style="display: flex; flex-direction: column; align-items: center;"> <div style="display: flex; justify-content: space-around; width: 100%;"> b15 b8 b7 b0 </div> <div style="display: flex; justify-content: space-between; width: 100%; border-bottom: 1px solid black; margin-bottom: 2px;"> H74 Second alarm in past Latest alarm </div> <div style="display: flex; justify-content: space-between; width: 100%; border-bottom: 1px solid black; margin-bottom: 2px;"> H75 Fourth alarm in past Third alarm in past </div> <div style="display: flex; justify-content: space-between; width: 100%; border-bottom: 1px solid black; margin-bottom: 2px;"> H76 Sixth alarm in past Fifth alarm in past </div> <div style="display: flex; justify-content: space-between; width: 100%; border-bottom: 1px solid black;"> H77 Eighth alarm in past Seventh alarm in past </div> </div> Refer to the alarm data table (page 325)	4 digits (B,E/D)		
3	Run command (extended)	Write	HF9	You can set the control input commands such as the forward rotation signal (STF) and reverse rotation signal (STR). (Refer to page 325 for details)	4 digits (A,C/D)	
	Run command	Write	HFA		2digits (A',C/D)	
4	Inverter status monitor (extended)	Read	H79	You can monitor the status of the output signals such as forward rotation, reverse rotation and inverter running (RUN). (Refer to page 326 for details)	4 digits (B,E/D)	
	Inverter status monitor	Read	H7A		2digits (B,E'/D)	
5	Set frequency (RAM)	Read	H6D	Read the set frequency/speed from the RAM or EEPROM. H0000 to HFFFF: Set frequency in 0.01Hz increments Speed in 1r/min increments (When Pr. 37 = 1 to 9998 or Pr. 144 = 2 to 10, 102 to 110)	4 digits (B,E/D)	
	Set frequency (EEPROM)		H6E			
	Set frequency (RAM)	Write	HED	Write the set frequency/speed into the RAM or EEPROM. H0000 to H9C40 (0 to 400.00Hz) : frequency in 0.01Hz increments H0000 to H270E (0 to 9998) : speed in r/min increments (when Pr. 37 = 1 to 9998 or Pr. 144 = 2 to 10, 102 to 110) · To change the running frequency consecutively, write data to the inverter RAM. (Instruction code: HED)	4 digits (A,C/D)	
	Set frequency (RAM, EEPROM)		HEE			
6	Inverter reset	Write	HFD	H9696: Resets the inverter. · As the inverter is reset at start of communication by the computer, the inverter cannot send reply data back to the computer.	4 digits (A,C/D)	
				H9966: Resets the inverter. · When data is sent normally, ACK is returned to the computer and then the inverter is reset.	4 digits (A,D)	
7	Alarm definition all clear	Write	HF4	H9696: Alarm history batch clear	4 digits (A,C/D)	

Refer to page 317 for data formats (A, A', B, B', C, D)

No.	Item	Read/Write	Instruction Code	Data Description	Number of Data Digits (format)																									
8	All parameter clear	Write	HFC	<p>All parameters return to the initial values. Any of four different all clear operations are performed according to the data.</p> <table border="1"> <thead> <tr> <th>Data \ Pr.</th> <th>Communi- cation Pr. *1</th> <th>Calibration Pr. *2</th> <th>Other Pr. *3</th> <th>HEC HF3 HFF</th> </tr> </thead> <tbody> <tr> <td>H9696</td> <td>○</td> <td>×</td> <td>○</td> <td>○</td> </tr> <tr> <td>H9966</td> <td>○</td> <td>○</td> <td>○</td> <td>○</td> </tr> <tr> <td>H5A5A</td> <td>×</td> <td>×</td> <td>○</td> <td>○</td> </tr> <tr> <td>H55AA</td> <td>×</td> <td>○</td> <td>○</td> <td>○</td> </tr> </tbody> </table> <p>When all parameter clear is executed for H9696 or H9966, communication-related parameter settings also return to the initial values. When resuming operation, set the parameters again. *1 Refer to page 314, 315. *2 Refer to the list of calibration parameters on the next page for calibration parameters. *3 Pr. 75 is not cleared</p>	Data \ Pr.	Communi- cation Pr. *1	Calibration Pr. *2	Other Pr. *3	HEC HF3 HFF	H9696	○	×	○	○	H9966	○	○	○	○	H5A5A	×	×	○	○	H55AA	×	○	○	○	4 digits (A,C/D)
Data \ Pr.	Communi- cation Pr. *1	Calibration Pr. *2	Other Pr. *3	HEC HF3 HFF																										
H9696	○	×	○	○																										
H9966	○	○	○	○																										
H5A5A	×	×	○	○																										
H55AA	×	○	○	○																										
9	Parameters	Read	H00 to H63	Refer to the instruction code (page 438) and write and/or read the values as required.	4 digits (B,E/D)																									
10		Write	H80 to HE3	When setting Pr. 100 and later, link parameter extended setting must be set.	4 digits (A,C/D)																									
11	Link parameter extended setting	Read	H7F	Parameter description is changed according to the H00 to H09 setting.	2digits (B,E/D)																									
		Write	HFF	For details of the setting, refer to the instruction code (page 438).	2digits (A,C/D)																									
12	Second parameter changing (instruction code HFF=1, 9)	Read	H6C	<p>When setting the calibration parameters *1 H00:Frequency *2 H01: Parameter-set analog value H02: Analog value input from terminal</p>	2digits (B,E/D)																									
		Write	HEC	<p>*1 Refer to the list of calibration parameters on the next page for calibration parameters. *2 The gain frequency can also be written using Pr. 125 (instruction code H99) or Pr. 126 (instruction code H9A).</p>	2digits (A,C/D)																									

Refer to page 317 for data formats (A, A', B, B', C, D)

REMARKS

- Set 65520 (HFFF0) as a parameter value "8888" and 65535 (HFFFF) as "9999".
- For the instruction codes HFF, HEC and HF3, their values are held once written but cleared to zero when an inverter reset or all clear is performed.

Example) When reading the C3 (Pr. 902) and C6 (Pr. 904) settings from the inverter of station 0

	Computer Send Data	Inverter Send Data	Description
1)	ENQ 00 FF 0 01 82	ACK 00	Set "H01" in the extended link parameter.
2)	ENQ 00 EC 0 01 7E	ACK 00	Set "H01" in second parameter changing.
3)	ENQ 00 5E 0 0F	STX 00 0000 ETX 25	C3 (Pr. 902) is read. 0% is read.
4)	ENQ 00 60 0 FB	STX 00 0000 ETX 25	C6 (Pr. 904) is read. 0% is read.

To read/write C3 (Pr. 902) and C6 (Pr. 904) after inverter reset or parameter clear, execute from 1) again.

●List of calibration parameters

Parameter	Name	Instruction code			Parameter	Name	Instruction code			Parameter	Name	Instruction code		
		Read	Write	Extended			Read	Write	Extended			Read	Write	Extended
C2 (902)	Terminal 2 frequency setting bias frequency	5E	DE	1	C9 (930)	Current output bias current	1E	9E	9	C18 (920)	Terminal 1 gain command (torque/magnetic flux)	14	94	9
C3 (902)	Terminal 2 frequency setting bias	5E	DE	1	C10 (931)	Current output gain signal	1F	9F	9	C19 (920)	Terminal 1 gain (torque/magnetic flux)	14	94	9
125 (903)	Terminal 2 frequency setting gain frequency	5F	DF	1	C11 (931)	Current output gain current	1F	9F	9	C38 (932)	Terminal 4 bias command (torque/magnetic flux)	20	A0	9
C4 (903)	Terminal 2 frequency setting gain	5F	DF	1	C12 (917)	Terminal 1 bias frequency (speed)	11	91	9	C39 (932)	Terminal 4 bias (torque/magnetic flux)	20	A0	9
C5 (904)	Terminal 4 frequency setting bias frequency	60	E0	1	C13 (917)	Terminal 1 bias frequency (speed)	11	91	9	C40 (933)	Terminal 4 gain command (torque/magnetic flux)	21	A1	9
C6 (904)	Terminal 4 frequency setting bias	60	E0	1	C14 (918)	Terminal 1 gain frequency (speed)	12	92	9	C41 (933)	Terminal 4 gain (torque/magnetic flux)	21	A1	9
126 (905)	Terminal 4 frequency setting gain frequency	61	E1	1	C15 (918)	Terminal 1 gain (speed)	12	92	9					
C7 (905)	Terminal 4 frequency setting gain	61	E1	1	C16 (919)	Terminal 1 bias command (torque/magnetic flux)	13	93	9					
C8 (930)	Current output bias signal	1E	9E	9	C17 (919)	Terminal 1 bias (torque/magnetic flux)	13	93	9					

[Special monitor selection No.]

Refer to page 240 for details of the monitor description.

Data	Description	Increments	Data	Description	Increments	Data	Description	Increments
H01	Output frequency	0.01Hz	H0D	Input power	0.01kW/ 0.1kW *1	H20	Torque command	0.1%
H02	Output current	0.01A/ 0.1A *1	H0E	Output power	0.01kW/ 0.1kW *1	H21	Torque current command	0.1%
H03	Output voltage	0.1V	H0F	Input terminal status *2	—	H22	Motor output	0.01kW/ 0.1kW *1
H05	Frequency setting	0.01Hz	H10	Output terminal status *3	—	H23	Feedback pulse	—
H06	Running speed	1r/min	H11	Load meter	0.1%	H32	Power saving effect	Variable
H07	Motor torque	0.1%	H12	Motor excitation current	0.01A/ 0.1A *1	H33	Cumulative saving power	Variable
H08	Converter output voltage	0.1V	H13	Position pulse	—	H34	PID set point	0.1%
H09	Regenerative brake duty	0.1%	H14	Cumulative energization time	1h	H35	PID measured value	0.1%
H0A	Electronic thermal relay function load factor	0.1%	H16	Orientation status	—	H36	PID deviation value	0.1%
H0B	Output current peak value	0.01A/ 0.1A *1	H17	Actual operation time	1h	H3A	Option input terminal status1 *4	—
H0C	Converter output voltage peak value	0.1V	H18	Motor load factor	0.1%	H3B	Option input terminal status2 *5	—
			H19	Cumulative power	1kWh	H3C	Option output terminal status *6	—

*1 The setting depends on capacities. (01800 or less / 02160 or more)

*2 Input terminal monitor details

b15

—	—	—	—	—	CS	RES	STOP	MRS	JOG	RH	RM	RL	RT	AU	STR	STF
---	---	---	---	---	----	-----	------	-----	-----	----	----	----	----	----	-----	-----

b0

*3 Output terminal monitor details

b15

—	—	—	—	—	—	—	—	—	—	—	—	—	—	—	—	—
									ABC2	ABC1	FU	OL	IPF	SU	RUN	

b0

*4 Details of option input terminal monitor 1 (input terminal status of FR-A7AX)-all terminals are off when an option is not fitted

b15

X15	X14	X13	X12	X11	X10	X9	X8	X7	X6	X5	X4	X3	X2	X1	X0
-----	-----	-----	-----	-----	-----	----	----	----	----	----	----	----	----	----	----

b0

*5 Details of option input terminal monitor 2 (input terminal status of FR-A7AX)-all terminals are off when an option is not fitted

b15

—	—	—	—	—	—	—	—	—	—	—	—	—	—	—	—	DY
---	---	---	---	---	---	---	---	---	---	---	---	---	---	---	---	----

b0

*6 Details of option output terminal monitor (output terminal status of FR-A7AY/A7AR)-all terminals are off when an option is not fitted

b15

—	—	—	—	—	—	—	—	—	—	—	—	—	—	—	—	—		
									RA3	RA2	RA1	Y6	Y5	Y4	Y3	Y2	Y1	Y0

b0

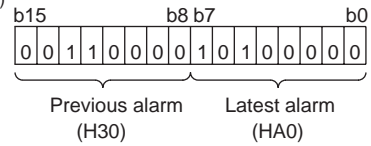
[Alarm data]

Refer to page 387 for details of alarm description.

Data	Description	Data	Description	Data	Description
H00	No alarm	H91	E.PTC	HD3	E.OD
H10	E.OC1	HA0	E.OPT	HD5	E.MB1
H11	E.OC2	HA3	E.OP3	HD6	E.MB2
H12	E.OC3	HB0	E.PE	HD7	E.MB3
H20	E.OV1	HB1	E.PUE	HD8	E.MB4
H21	E.OV2	HB2	E.RET	HD9	E.MB5
H22	E.OV3	HB3	E.PE2	HDA	E.MB6
H30	E.THT	HC0	E.CPU	HDB	E.MB7
H31	E.THM	HC1	E.CTE	HDC	E.EP
H40	E.FIN	HC2	E.P24	HF1	E.1
H50	E.IPF	HC4	E.CDO	HF2	E.2
H51	E.UVT	HC5	E.IOH	HF3	E.3
H52	E.ILF	HC6	E.SER	HF6	E.6
H60	E.OLT	HC7	E.AIE	HF7	E.7
H70	E.BE	HC8	E.USB	HFB	E.11
H80	E.GF	HD0	E.OS	HFD	E.13
H81	E.LF	HD1	E.OSD		
H90	E.OHT	HD2	E.ECT		

Alarm description display example (instruction code H74)

For read data H30A0
(Previous alarm THT)
(Latest alarm OPT)



[Run command]

Item	Instruction Code	Bit Length	Description	Example
Run command	HFA	8bit	b0: AU (current input selection) *1 b1: Forward rotation command b2: Reverse rotation command b3: RL (low speed operation command) *1 b4: RM (middle speed operation command) *1 b5: RH (high speed operation command) *1 b6: RT (second function selection) *1 b7: MRS (output stop) *1	[Example 1] H02 Forward rotation b7 b0 0 0 0 0 0 0 1 0 [Example 2] H00 Stop b7 b0 0 0 0 0 0 0 0 0
Run command (extended)	HF9	16bit	b0:AU (current input selection) *1 b1:Forward rotation command b2:Reverse rotation command b3:RL (low speed operation command) *1 b4:RM (middle speed operation command) *1 b5: RH (high speed operation command) *1 b6:RT (second function selection) *1 b7:MRS (output stop) *1 b8:JOG (Jog operation) *2 b9:CS (selection of automatic restart after instantaneous power failure) *2 b10: STOP (start self-holding) *2 b11:RES (reset) *2 b12:— b13:— b14:— b15:—	[Example 1] H0002 Forward rotation b15 b0 0 0 0 0 0 0 0 0 0 0 0 0 0 0 1 0 [Example 2] H0800 low speed operation (When Pr. 189 RES terminal function selection is set to "0") b15 b0 0 0 0 0 1 0 0 0 0 0 0 0 0 0 0 0

*1 The signal within parentheses is the initial setting. The description changes depending on the setting of Pr. 180 to Pr. 184, Pr. 187 (input terminal function selection) (page 219).

*2 The signal within parentheses is the initial setting. Since jog operation/selection of automatic restart after instantaneous power failure/start self-holding/reset cannot be controlled by the network, bit 8 to bit 11 are invalid in the initial status. When using bit 8 to bit 11, change the signals with Pr. 185, Pr. 186, Pr. 188, Pr. 189 (input terminal function selection) (page 226). (Reset can be executed with the instruction code HFD.)

[Inverter status monitor]

Item	Instruction Code	Bit Length	Description	Example
Inverter status monitor	H7A	8bit	b0:RUN (inverter running) * b1:Forward rotation b2:Reverse rotation b3:SU (up to frequency) * b4:OL (overload) * b5:IPF (instantaneous power failure) * b6:FU (frequency detection) * b7:ABC1 (alarm) *	[Example 1] H02... During forward rotation b7 b0 <div style="border: 1px solid black; padding: 2px; display: inline-block;">0 0 0 0 0 0 1 0</div> [Example 2] H80... Stop at alarm occurrence b7 b0 <div style="border: 1px solid black; padding: 2px; display: inline-block;">0 0 0 0 0 0 1 0</div>
Inverter status monitor (extended)	H79	16bit	b0:RUN (inverter running) * b1:Forward rotation b2:Reverse rotation b3:SU (up to frequency) * b4:OL (overload) * b5:IPF (instantaneous power failure) * b6:FU (frequency detection) * b7:ABC1 (alarm) * b8:ABC2 (—)* b9:— b10:— b11:— b12:— b13:— b14:— b15: Alarm occurrence	[Example 1] H0002... During forward rotation b15 b0 <div style="border: 1px solid black; padding: 2px; display: inline-block;">0 0 0 0 0 0 0 0 0 0 0 0 0 0 1 0</div> [Example 2] H8080... Stop at alarm occurrence b15 b0 <div style="border: 1px solid black; padding: 2px; display: inline-block;">1 0 0 0 0 0 0 0 1 0 0 0 0 0 0 0</div>

* The signal within parentheses is the initial setting. The description changes depending on the setting of Pr. 190 to Pr. 196 (output terminal function selection).

4.24.6 Modbus-RTU communication specifications (Pr. 331, Pr. 332, Pr. 334, Pr. 343, Pr. 539, Pr. 549)

Using the Modbus-RTU communication protocol, communication operation or parameter setting can be performed from the RS-485 terminals of the inverter.

Parameter Number	Name	Initial Value	Setting Range	Description
331	RS-485 communication station number	0	0	Broadcast communication is selected.
			1 to 247	Specify the inverter station number. Set the inverter station numbers when two or more inverters are connected to one personal computer.
332	RS-485 communication speed	96	3, 6, 12, 24, 48, 96, 192, 384	Set the communication speed. The setting value × 100 equals the communication speed. For example, the communication speed is 9600bps when the setting value is "96".
334	RS-485 communication parity check selection	2	0	Without parity check Stop bit length 2bits
			1	With odd parity check Stop bit length 1bit
			2	With even parity check Stop bit length 1bit
343	Communication error count	0	—	Display the number of communication errors during Modbus-RTU communication. Reading only
539	Modbus-RTU communication check time interval	9999	0	Modbus-RTU communication can be made, but the inverter will come to an alarm stop in the NET operation mode.
			0.1 to 999.8s	Set the interval of communication check time. (same specifications as Pr. 122)
			9999	No communication check (signal loss detection)
549	Protocol selection	0	0	Mitsubishi inverter (computer link) protocol
			1	Modbus-RTU protocol

CAUTION

When Modbus-RTU communication is performed from the master with address 0 (station 0) set, broadcast communication is selected and the inverter does not send a response message to the master.
When response from the inverter is necessary, set a value other than "0" in Pr. 331 (initial value 0).
Some functions are invalid for broadcast communication. (Refer to page 329)

REMARKS

- When using the Modbus-RTU protocol, set Pr. 549 Protocol selection to "1".
- When the communication option is fitted with Pr. 550 NET mode operation command source selection set to "9999" (initial value), the command source (e.g. run command) from the RS-485 terminals is invalid. (Refer to page 304)

(1) Communication specifications

- The communication specifications are given below.

Item	Description	Related Parameters	
Communication protocol	Modbus-RTU protocol	Pr. 549	
Conforming standard	EIA-485 (RS-485)	—	
Number of inverters connected	1: N (maximum 32 units), setting is 0 to 247 stations	Pr. 331	
Communication speed	Can be selected from 300, 600, 1200, 2400, 4800, 9600, 19200 and 38400bps	Pr. 332	
Control protocol	Asynchronous system	—	
Communication method	Half-duplex system	—	
Communication specifications	Character system	Binary(fixed to 8 bits)	
	Start bit	1bit	
	Stop bit length	Select from the following three types · No parity, stop bit length 2 bits · Odd parity, stop bit length 1 bit · Even parity, stop bit length 1 bit	Pr. 334
	Parity check		
	Error check	CRC code check	—
	Terminator	Not used	—
Waiting time setting	Not used	—	

(2) Outline

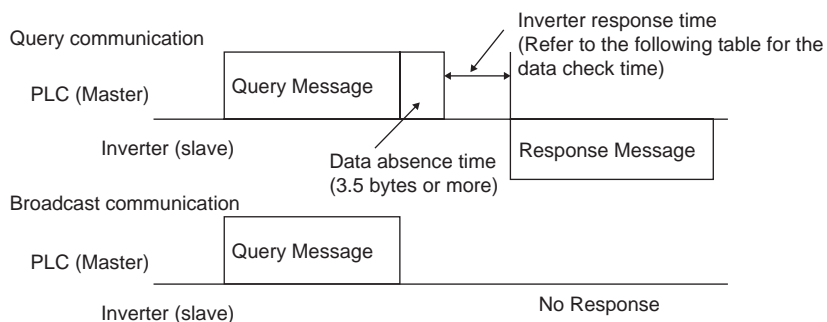
The Modbus protocol is the communication protocol developed by Modicon for PLC.

The Modbus protocol performs serial communication between the master and slave using the dedicated message frame. The dedicated message frame has the functions that can perform data read and write. Using the functions, you can read and write the parameter values from the inverter, write the input command of the inverter, and check the operating status. In this product, the inverter data are classified in the holding register area (register addresses 40001 to 49999). By accessing the assigned holding register address, the master can communicate with the inverter which is a slave.

REMARKS

There are two different serial transmission modes: ASCII (American Standard Code for Information Interchange) mode and RTU (Remote Terminal Unit) mode. This product supports only the RTU mode in which 1-byte (8-bit) data is transmitted as-is. Only the communication protocol is defined by the Modbus protocol, and the physical layer is not stipulated.

(3) Message format



●Data check time

Item	Check Time
Various monitors, operation command, frequency setting (RAM)	< 12ms
Parameter read/write, frequency setting (EEPROM)	< 30ms
Parameter clear/all clear	< 5s
Reset command	No answer

1)Query

The master sends a message to the slave (= inverter) at the specified address.

2)Normal Response

After receiving the query from the master, the slave executes the requested function and returns the corresponding normal response to the master.

3)Error Response

If an invalid function code, address or data is received, the slave returns it to the master.

When a response description is returned, the error code indicating that the request from the master cannot be executed is added.

No response is returned for the hardware-detected error, frame error and CRC check error.

4)Broadcast

By specifying address 0, the master can send a message to all slaves. All slaves that received the message from the master execute the requested function. In this communication, the slaves do not return a response to the master.

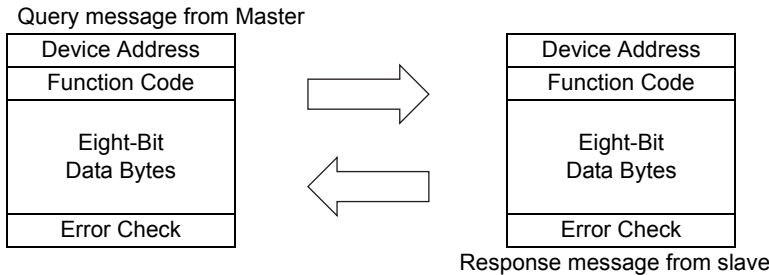
REMARKS

The slave executes the function independently of the inverter station number setting (*Pr. 331*) during broadcast communication.

(4) Message frame (protocol)

● **Communication method**

Basically, the master sends a query message (question) and the slave returns a response message (response). When communication is normal, Device Address and Function Code are copied as they are, and when communication is abnormal (function code or data code is illegal), bit 7 (= 80h) of Function Code is turned on and the error code is set to Data Bytes.



The message frame consists of the four message fields as shown above.

By adding the no-data time (T1: Start, End) of 3.5 characters to the beginning and end of the message data, the slave recognizes it as one message.

● **Protocol details**

The four message fields will be explained below.

Start	1) ADDRESS	2) FUNCTION	3) DATA	4) CRC CHECK		End
T1	8bit	8bit	n × 8bit	L 8bit	H 8bit	T1

Message Field	Description																								
1) ADDRESS field	The address is 1 byte long (8 bits) and any of 0 to 247 can be set. Set 0 to send a broadcast message (all-address instruction) or any of 1 to 247 to send a message to each slave. When the slave responds, it returns the address set from the master. The value set to <i>Pr. 331 RS-485 communication station number</i> is the slave address.																								
2) FUNCTION field	<p>The function code is 1 byte long (8 bits) and any of 1 to 255 can be set. The master sets the function that it wants to request from the slave, and the slave performs the requested operation. The following table gives the supported function codes. An error response is returned if the set function code is other than those in the following table. When the slave returns a normal response, it returns the function code set by the master. When the slave returns an error response, it returns H80 + function code.</p> <table border="1" style="width: 100%; border-collapse: collapse; margin: 10px 0;"> <thead> <tr> <th>Code</th> <th>Function Name</th> <th>Outline</th> <th>Broadcast Communication</th> </tr> </thead> <tbody> <tr> <td>H03</td> <td>Read Holding Register</td> <td>Reads the holding register data.</td> <td>Disallowed</td> </tr> <tr> <td>H06</td> <td>Preset Single Register</td> <td>Writes data to the holding register.</td> <td>Allowed</td> </tr> <tr> <td>H08</td> <td>Diagnostics</td> <td>Makes a function diagnosis. (communication check only)</td> <td>Disallowed</td> </tr> <tr> <td>H10</td> <td>Preset Multiple Registers</td> <td>Writes data to multiple consecutive holding registers.</td> <td>Allowed</td> </tr> <tr> <td>H46</td> <td>Read Holding Register Access Log</td> <td>Reads the number of registers that succeeded in communication last time.</td> <td>Disallowed</td> </tr> </tbody> </table> <p style="text-align: center;">Table 1: Function code list</p>	Code	Function Name	Outline	Broadcast Communication	H03	Read Holding Register	Reads the holding register data.	Disallowed	H06	Preset Single Register	Writes data to the holding register.	Allowed	H08	Diagnostics	Makes a function diagnosis. (communication check only)	Disallowed	H10	Preset Multiple Registers	Writes data to multiple consecutive holding registers.	Allowed	H46	Read Holding Register Access Log	Reads the number of registers that succeeded in communication last time.	Disallowed
Code	Function Name	Outline	Broadcast Communication																						
H03	Read Holding Register	Reads the holding register data.	Disallowed																						
H06	Preset Single Register	Writes data to the holding register.	Allowed																						
H08	Diagnostics	Makes a function diagnosis. (communication check only)	Disallowed																						
H10	Preset Multiple Registers	Writes data to multiple consecutive holding registers.	Allowed																						
H46	Read Holding Register Access Log	Reads the number of registers that succeeded in communication last time.	Disallowed																						
3) DATA field	The format changes depending on the function code (<i>refer to page 330</i>). Data includes the byte count, number of bytes, description of access to the holding register, etc.																								
4) CRC CHECK field	The received message frame is checked for error. CRC check is performed, and 2 byte long data is added to the end of the message. When CRC is added to the message, the low-order byte is added first and is followed by the high-order byte. The CRC value is calculated by the sending side that adds CRC to the message. The receiving side recalculates CRC during message receiving, and compares the result of that calculation and the actual value received in the CRC CHECK field. If these two values do not match, the result is defined as error.																								

(5) Message format types

The message formats corresponding to the function codes in Table 1 on page 329 will be explained.

● **Read holding register data (H03 or 03)**

Can read the description of 1) system environment variables, 2) real-time monitor, 3) alarm history, and 4) inverter parameters assigned to the holding register area (refer to the register list (page 336)).

Query Message

1) Slave Address	2) Function	3) Starting Address		4) No. of Points		CRC Check	
(8bit)	H03 (8bit)	H (8bit)	L (8bit)	H (8bit)	L (8bit)	L (8bit)	H (8bit)

Normal response (Response message)

1) Slave Address	2) Function	5) Byte Count	6) Data			CRC Check	
(8bit)	H03 (8bit)	(8bit)	H (8bit)	L (8bit)	... (n × 16bit)	L (8bit)	H (8bit)

· **Query message setting**

Message	Setting Description
1)Slave Address	Set the address to which the message will be sent. Broadcast communication cannot be made (0 is invalid).
2)Function	Set H03.
3)Starting Address	Set the address at which holding register data read will be started. Starting address = starting register address (decimal) – 40001 For example, setting of the starting address 0001 reads the data of the holding register 40002.
4)No. of Points	Set the number of holding registers from which data will be read. The number of registers from which data can be read is a maximum of 125.

· **Description of normal response**

Message	Setting Description
5)Byte Count	The setting range is H02 to H14 (2 to 20). Twice greater than the No. of Points specified at 4) is set.
6)Data	The number of data specified at 4) is set. Data are read in order of Hi byte and Lo byte, and set in order of starting address data, starting address + 1 data, starting address + 2 data, ...

Example) To read the register values of 41004 (Pr. 4) to 41006 (Pr. 6) from the slave address 17 (H11)

Query message

Slave Address	Function	Starting Address		No. of Points		CRC Check	
H11 (8bit)	H03 (8bit)	H03 (8bit)	HEB (8bit)	H00 (8bit)	H03 (8bit)	H77 (8bit)	H2B (8bit)

Normal response (Response message)

Slave Address	Function	Byte Count	Data						CRC Check	
H11 (8bit)	H03 (8bit)	H06 (8bit)	H17 (8bit)	H70 (8bit)	H0B (8bit)	HB8 (8bit)	H03 (8bit)	HE8 (8bit)	H2C (8bit)	HE6 (8bit)

Read value

Register 41004 (Pr. 4): H1770 (60.00Hz)
 Register 41005 (Pr. 5): H0BB8 (30.00Hz)
 Register 41006 (Pr. 6): H03E8 (10.00Hz)

● **Write multiple holding register data (H06 or 06)**

You can write the description of 1) system environment variables and 4) inverter parameters assigned to the holding register area (refer to the register list (page 336)).

Query message

1) Slave Address	2) Function	3) Register Address		4) Preset Data		CRC Check	
(8bit)	H06 (8bit)	H (8bit)	L (8bit)	H (8bit)	L (8bit)	L (8bit)	H (8bit)

Normal response (Response message)

1) Slave Address	2) Function	3) Register Address		4) Preset Data		CRC Check	
(8bit)	H06 (8bit)	H (8bit)	L (8bit)	H (8bit)	L (8bit)	L (8bit)	H (8bit)

· **Query message setting**

Message	Setting Description
1) Slave Address	Set the address to which the message will be sent. Setting of address 0 enables broadcast communication
2) Function	Set H06.
3) RegisterAddress	Set the address of the holding register to which data will be written. Register address = holding register address (decimal) – 40001 For example, setting of register address 0001 writes data to the holding register address 40002.
4) Prese Data	Set the data that will be written to the holding register. The written data is fixed to 2 bytes.

· **Description of normal response**

1) to 4) (including CRC check) of the normal response are the same as those of the query message.
No response is made for broadcast communication.

Example) To write 60Hz (H1770) to 40014 (running frequency RAM) at slave address 5 (H05).

Query message

Slave Address	Function	Register Address		Preset Data		CRC Check	
H05 (8bit)	H06 (8bit)	H00 (8bit)	H0D (8bit)	H17 (8bit)	H70 (8bit)	H17 (8bit)	H99 (8bit)

Normal Response (Response message)

Same data as the query message

CAUTION

For broadcast communication, no response is returned in reply to a query. Therefore, the next query must be made when the inverter processing time has elapsed after the previous query.

● **Function diagnosis (H08 or 08)**

A communication check can be made since the query message sent is returned unchanged as a response message (function of subfunction code H00).

Subfunction code H00 (Return Query Data)

Query Message

1) Slave Address	2) Function	3) Subfunction		4) Date		CRC Check	
(8bit)	H08 (8bit)	H00 (8bit)	H00 (8bit)	H (8bit)	L (8bit)	L (8bit)	H (8bit)

Normal Response (Response message)

1) Slave Address	2) Function	3) Subfunction		4) Date		CRC Check	
(8bit)	H08 (8bit)	H00 (8bit)	H00 (8bit)	H (8bit)	L (8bit)	L (8bit)	H (8bit)

· **Query message setting**

Message	Setting Description
1) Slave Address	Set the address to which the message will be sent. Broadcast communication cannot be made (0 is invalid).
2) Function	Set H08.
3) Subfunction	Set H0000.
4) Data	Any data can be set if it is 2 bytes long. The setting range is H0000 to HFFFF.

· **Description of normal response**

1) to 4) (including CRC check) of the normal response are the same as those of the query message.

CAUTION

For broadcast communication, no response is returned in reply to a query. Therefore, the next query must be made when the inverter processing time has elapsed after the previous query.

● **Write multiple holding register data (H10 or 16)**

You can write data to multiple holding registers.

Query message

1) Slave Address	2) Function	3) Starting Address		4) No. of Registers		5) ByteCount	6) Data			CRC Check	
(8bit)	H10 (8bit)	H (8bit)	L (8bit)	H (8bit)	L (8bit)	(8bit)	H (8bit)	L (8bit)	... (n × 2 × 8bit)	L (8bit)	H (8bit)

Normal Response (Response message)

1) Slave Address	2) Function	3) Starting Address		4) No. of Registers		CRC Check	
(8bit)	H10 (8bit)	H (8bit)	L (8bit)	H (8bit)	L (8bit)	L (8bit)	H (8bit)

· **Query message setting**

Message	Setting Description
1) Slave Address	Set the address to which the message will be sent. Setting of address 0 enables broadcast communication.
2) Function	Set H10.
3) Starting Address	Set the address where holding register data write will be started. Starting address = starting register address (decimal) – 40001 For example, setting of the starting address 0001 reads the data of the holding register 40002.
4) No. of Points	Set the number of holding registers where data will be written. The number of registers where data can be written is a maximum of 125.
5) Byte Count	The setting range is H02 to HFA (0 to 250). Set a value twice greater than the value specified at 4).
6) Data	Set the data specified by the number specified at 4). The written data are set in order of Hi byte and Lo byte, and arranged in order of the starting address data, starting address + 1 data, starting address + 2 data ...

· **Description of normal response**

1) to 4) (including CRC check) of the normal response are the same as those of the query message.

Example) To write 0.5s (H05) to 41007 (Pr. 7) at the slave address 25 (H19) and 1s (H0A) to 41008 (Pr. 8).

Query Message

Slave Address	Function	Starting Address		No. of Points		Byte Count	Data				CRC Check	
H19 (8bit)	H10 (8bit)	H03 (8bit)	HEE (8bit)	H00 (8bit)	H02 (8bit)	H04 (8bit)	H00 (8bit)	H05 (8bit)	H00 (8bit)	H0A (8bit)	H86 (8bit)	H3D (8bit)

Response message (Response message)

Slave Address	Function	Starting Address		No. of Points		CRC Check	
H19 (8bit)	H10 (8bit)	H03 (8bit)	HEE (8bit)	H00 (8bit)	H02 (8bit)	H22 (8bit)	H61 (8bit)

● **Read holding register access log (H46 or 70)**

A response can be made to a query made by the function code H03, H06 or H0F.

The starting address of the holding registers that succeeded in access during previous communication and the number of successful registers are returned.

In response to the query for other than the above function code, 0 is returned for the address and number of registers.

Query Message

1) Slave Address	2) Function	CRC Check	
(8bit)	H46 (8bit)	L (8bit)	H (8bit)

Normal Response (Response message)

1) Slave Address	2) Function	3) Starting Address		4) No. of Points		CRC Check	
(8bit)	H46 (8bit)	H (8bit)	L (8bit)	H (8bit)	L (8bit)	L (8bit)	H (8bit)

· **Query message setting**

Message	Setting Description
1) Slave Address	Set the address to which the message will be sent. Broadcast communication cannot be made (0 is invalid)
2) Function	Set H46.

· **Description of normal response**

Message	Setting Description
3) Starting Address	The starting address of the holding registers that succeeded in access is returned. Starting address = starting register address (decimal) – 40001 For example, when the starting address 0001 is returned, the address of the holding register that succeeded in access is 40002.
4) No. of Points	The number of holding registers that succeeded in access is returned.

Example) To read the successful register starting address and successful count from the slave address 25 (H19).

Query Message

Slave Address	Function	CRC Check	
H19 (8bit)	H46 (8bit)	H8B (8bit)	HD2 (8bit)

Normal Response (Response message)

Slave Address	Function	Starting Address		No. of Points		CRC Check	
H19 (8bit)	H10 (8bit)	H03 (8bit)	HEE (8bit)	H00 (8bit)	H02 (8bit)	H22 (8bit)	H61 (8bit)

Success of two registers at starting address 41007 (Pr. 7) is returned.

● **Error response**

An error response is returned if the query message received from the master has an illegal function, address or data. No response is returned for a parity, CRC, overrun, framing or busy error.

CAUTION

No response message is sent in the case of broadcast communication also.

Error response (Response message)

1) Slave Address	2) Function	3) Exception Code	CRC Check	
(8bit)	H80 + Function (8bit)	(8bit)	L (8bit)	H (8bit)

Message	Setting Description
1) Slave address	Set the address received from the master.
2) Function	The master-requested function code + H80 is set.
3) Exception code	The code in the following table is set.

Error code list

Code	Error Item	Error Definition
01	ILLEGAL FUNCTION (Function code illegal)	The set function code in the query message from the master cannot be handled by the slave.
02	ILLEGAL DATA ADDRESS *1 (Address illegal)	The set register address in the query message from the master cannot be handled by the inverter. (No parameter, parameter read disabled, parameter write disabled)
03	ILLEGAL DATA VALUE (Data illegal)	The set data in the query message from the master cannot be handled by the inverter. (Out of parameter write range, mode specified, other error)

*1 An error will not occur in the following cases.

1) Function code H03 (Read Holding Register Data)

When the No. of Points is 1 or more and there is one or more holding registers from which data can be read

2) Function code H10 (Write Multiple Holding Register Data)

When the No. of Points is 1 or more and there is 1 or more holding registers to which data can be written

Namely, when the function code H03 or H10 is used to access multiple holding registers, an error will not occur if a non-existing holding register or read disabled or write disabled holding register is accessed.

REMARKS

An error will occur if all accessed holding registers do not exist.

Data read from a non-existing holding register is 0, and data written there is invalid.

· **Message data mistake detection**

To detect the mistakes of message data from the master, they are checked for the following errors. If an error is detected, an alarm stop will not occur.

Error check item

Error Item	Error Definition	Inverter Side Operation
Parity error	The data received by the inverter differs from the specified parity (Pr. 334 setting).	1) Pr. 343 is increased by 1 at error occurrence. 2) The terminal LF is output at error occurrence.
Framing error	The data received by the inverter differs from the specified stop bit length (Pr. 333).	
Overrun error	The following data was sent from the master before the inverter completes data receiving.	
Message frame error	The message frame data length is checked, and the received data length of less than 4 bytes is regarded as an error.	
CRC check error	A mismatch found by CRC check between the message frame data and calculation result is regarded as an error.	

1) Pr. 343 Communication error count

You can check the cumulative number of communication errors.

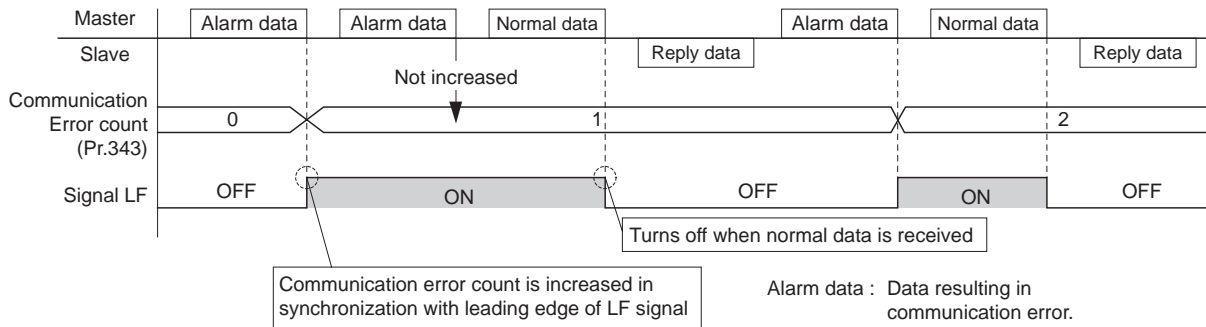
Parameters	Setting Range	Minimum Setting Range	Initial Value
343	(Read only)	1	0

CAUTION

The number of communication errors is temporarily stored into the RAM. As it is not stored into the EEPROM, performing a power supply reset or inverter reset clears the value to 0.

2) Output signal LF "minor failure output(communication error warnings)"

During a communication error, the minor failure output (LF signal) is output by open collector output. Assign the used terminal using any of Pr. 190 to Pr. 196 (output terminal function selection).



CAUTION

The LF signal can be assigned to the output terminal using any of Pr. 190 to Pr. 196. When terminal assignment is changed, the other functions may be affected. Please make setting after confirming the function of each terminal.

(6) Modbus registers

- System environment variable

Register	Definition	Read/Write	Remarks
40002	Inverter reset	Write	Any value can be written
40003	Parameter clear	Write	Set H965A as a written value.
40004	All parameter clear	Write	Set H99AA as a written value.
40006	Parameter clear *1	Write	Set H5A96 as a written value.
40007	All parameter clear *1	Write	Set HAA99 as a written value.
40009	Inverter status/control input instruction *2	Read/write	See below.
40010	Operation mode/inverter setting *3	Read/write	See below.
40014	Running frequency (RAM value)	Read/write	According to the Pr. 37 and Pr. 144 settings, the frequency and selectable speed are in 1r/min increments.
40015	Running frequency (EEPROM value)	Write	

*1 The communication parameter values are not cleared.

*2 For write, set the data as a control input instruction. For read, data is read as an inverter operating status.

*3 For write, set data as the operation mode setting. For read, data is read as the operation mode status.

<Inverter status/control input instruction>

Bit	Definition	
	Control input instruction	Inverter status
0	Stop command	RUN (inverter running) *2
1	Forward rotation command	Forward rotation
2	Reverse rotation command	Reverse rotation
3	RH (high speed operation command) *1	SU (up to frequency) *2
4	RM (middle speed operation command) *1	OL (overload) *2
5	RL (low speed operation command) *1	IPF (instantaneous power failure) *2
6	JOG (Jog operation) *1	FU (frequency detection) *2
7	RT (second function selection) *1	ABC1 (alarm) *2
8	AU (current input selection) *1	ABC2 (—) *2
9	CS (selection of automatic restart after instantaneous power failure) *1	0
10	MRS (output stop) *1	0
11	STOP (start self-holding) *1	0
12	RES (reset) *1	0
13	0	0
14	0	0
15	0	Alarm occurrence

<Operation mode/inverter setting>

Mode	Read Value	Written Value
EXT	H0000	H0010
PU	H0001	—
EXT JOG	H0002	—
NET	H0004	H0014
PU+ EXT	H0005	—

The restrictions depending on the operation mode changes according to the computer link specifications.

*1 The signal within parentheses is the initial setting. The description changes depending on the setting of Pr. 180 to Pr. 189 (input terminal function selection) (page 219).

Each assigned signal is valid or invalid depending on NET. (Refer to page 304)

*2 The signal within parentheses is the initial setting. The description changes depending on the setting of Pr. 190 to Pr. 196 (output terminal function selection) (page 226).

- Real-time monitor
Refer to *page 240* for details of the monitor description.

Register	Definition	Increments	Register	Definition	Increments	Register	Definition	Increments
40201	Output frequency	0.01Hz	40213	Input power	0.01kW/ 0.1kW *6	40226	Torque command	0.1%
40202	Output current	0.01A/ 0.1A *6	40214	Output power	0.01kW/ 0.1kW *6	40227	Torque current command	0.1%
40203	Output voltage	0.1V	40215	Input terminal status *1	—	40228	Motor output	0.01/ 0.1kW *6
40205	Frequency setting	0.01Hz	40216	Output terminal status *2	—	40229	Feedback pulse	—
40206	Running speed	1r/min	40217	Load meter	0.1%	40250	Power saving effect	Variable
40207	Motor torque	0.1%	40218	Motor excitation current	0.01A/ 0.1A *6	40251	Cumulative saving power	Variable
40208	Converter output voltage	0.1V	40219	Position pulse	—	40252	PID set point	0.1%
40209	Regenerative brake duty	0.1%	40220	Cumulative energization time	1h	40253	PID measured value	0.1%
40210	Electronic thermal relay function load factor	0.1%	40222	Orientation status	—	40254	PID deviation value	0.1%
40211	Output current peak value	0.01A/ 0.1A *6	40223	Actual operation time	1h	40258	Option input terminal status1 *3	—
40212	Converter output voltage peak value	0.1V	40224	Motor load factor	0.1%	40259	Option input terminal status2 *4	—
			40225	Cumulative power	1kWh	40260	Option output terminal status *5	—

*1 Input terminal monitor details
b15

—	—	—	—	CS	RES	STOP	MRS	JOG	RH	RM	RL	RT	AU	STR	STF
---	---	---	---	----	-----	------	-----	-----	----	----	----	----	----	-----	-----

*2 Output terminal monitor details
b15

—	—	—	—	—	—	—	—	—	—	ABC2	ABC1	FU	OL	IPF	SU	RUN
---	---	---	---	---	---	---	---	---	---	------	------	----	----	-----	----	-----

*3 Details of option input terminal monitor 1 (input terminal status of FR-A7AX)-all terminals are off when an option is not fitted
b15

X15	X14	X13	X12	X11	X10	X9	X8	X7	X6	X5	X4	X3	X2	X1	X0
-----	-----	-----	-----	-----	-----	----	----	----	----	----	----	----	----	----	----

*4 Details of option input terminal monitor 2 (input terminal status of FR-A7AX)-all terminals are off when an option is not fitted
b15

—	—	—	—	—	—	—	—	—	—	—	—	—	—	—	DY
---	---	---	---	---	---	---	---	---	---	---	---	---	---	---	----

*5 Details of option input terminal monitor (output terminal status of FR-A7AY/A7AR)-all terminals are off when an option is not fitted
b15

—	—	—	—	—	—	RA3	RA2	RA1	Y6	Y5	Y4	Y3	Y2	Y1	Y0
---	---	---	---	---	---	-----	-----	-----	----	----	----	----	----	----	----

*6 The setting depends on capacities. (01800 or less / 02160 or more)

● Parameter

Parameters	Register	Parameter Name	Read/Write	Remarks
0 to 999	41000 to 41999	Refer to the parameter list (page 63) for the parameter names.	Read/write	The parameter number + 41000 is the register number.
C2(902)	41902	Terminal 2 frequency setting bias (frequency)	Read/write	
C3(902)	42092	Terminal 2 frequency setting bias (analog value)	Read/write	The analog value (%) set to C3 (902) is read.
	43902	Terminal 2 frequency setting bias (terminal analog value)	Read	The analog value (%) of the voltage (current) applied to the terminal 2 is read.
125(903)	41903	Terminal 2 frequency setting gain (frequency)	Read/write	
C4(903)	42093	Terminal 2 frequency setting gain (analog value)	Read/write	The analog value (%) set to C4 (903) is read.
	43903	Terminal 2 frequency setting gain (terminal analog value)	Read	The analog value (%) of the voltage (current) applied to the terminal 2 is read.
C5(904)	41904	Terminal 4 frequency setting bias (frequency)	Read/write	
C6(904)	42094	Terminal 4 frequency setting bias (analog value)	Read/write	The analog value (%) set to C6 (904) is read.
	43904	Terminal 4 frequency setting bias (terminal analog value)	Read	The analog value (%) of the current (voltage) applied to the terminal 4 is read.
126(905)	41905	Terminal 4 frequency setting gain (frequency)	Read/write	
C7(905)	42095	Terminal 4 frequency setting gain (analog value)	Read/write	The analog value (%) set to C7 (905) is read.
	43905	Terminal 4 frequency setting gain (terminal analog value)	Read	The analog value (%) of the current (voltage) applied to the terminal 4 is read.
C8(930)	41930	Current output bias signal	Read/write	
C9(930)	42120	Current output bias current	Read/write	
C10(931)	41931	Current output gain signal	Read/write	
C11(931)	42121	Current output gain current	Read/write	
C12(917)	41917	Terminal 1 bias frequency (speed)	Read/write	
C13(917)	42107	Terminal 1 bias (speed)	Read/write	Analog value (%) set in C13 (917) is read.
	43917	Terminal 1 bias (speed) (terminal analog value)	Read	Analog value (%) of the voltage applied to terminal 1 is read.
C14(918)	41918	Terminal 1 gain frequency (speed)	Read/write	
C15(918)	42108	Terminal 1 gain (speed)	Read/write	Analog value (%) set in C15 (918) is read.
	43918	Terminal 1 gain (speed) (terminal analog value)	Read	Analog value (%) of the voltage applied to terminal 1 is read.
C16(919)	41919	Terminal 1 bias command (torque/magnetic flux)	Read/write	
C17(919)	42109	Terminal 1 bias (torque/magnetic flux)	Read/write	Analog value (%) set in C17 (919) is read.
	43919	Terminal 1 bias (torque/magnetic flux) (terminal analog value)	Read	Analog value (%) of the voltage applied to terminal 1 is read.
C18(920)	41920	Terminal 1 gain command (torque/magnetic flux)	Read/write	
C19(920)	42110	Terminal 1 gain (torque/magnetic flux)	Read/write	Analog value (%) set in C19 (920) is read.
	43920	Terminal 1 gain (torque/magnetic flux) (terminal analog value)	Read	Analog value (%) of the voltage applied to terminal 1 is read.
C38(932)	41932	Terminal 4 bias command (torque/magnetic flux)	Read/write	
C39(932)	42122	Terminal 4 bias (torque/magnetic flux)	Read/write	Analog value (%) set in C39 (932) is read.
	43932	Terminal 4 bias (torque/magnetic flux) (terminal analog value)	Read	Analog value (%) of the current (voltage) applied to terminal 4 is read.
C40(933)	41933	Terminal 4 gain command (torque/magnetic flux)	Read/write	
C41(933)	42123	Terminal 4 gain (torque/magnetic flux)	Read/write	Analog value (%) set in C41 (933) is read.
	43933	Terminal 4 gain (torque/magnetic flux) (terminal analog value)	Read	Analog value (%) of the current (voltage) applied to terminal 4 is read.

● Alarm history

Register	Definition	Read/Write	Remarks
40501	Alarm history 1	Read/write	Being 2 bytes in length, the data is stored as "H0000". The error code can be referred to in the low-order 1 byte. Performing write using the register 40501 batch-clears the alarm history. Set any value as data.
40502	Alarm history 2	Read	
40503	Alarm history 3	Read	
40504	Alarm history 4	Read	
40505	Alarm history 5	Read	
40506	Alarm history 6	Read	
40507	Alarm history 7	Read	
40508	Alarm history 8	Read	

Alarm code list

Data	Description	Data	Description	Data	Description
H00	No alarm	H91	E.PTC	HD3	E.OD
H10	E.OC1	HA0	E.OPT	HD5	E.MB1
H11	E.OC2	HA3	E.OP3	HD6	E.MB2
H12	E.OC3	HB0	E.PE	HD7	E.MB3
H20	E.OV1	HB1	E.PUE	HD8	E.MB4
H21	E.OV2	HB2	E.RET	HD9	E.MB5
H22	E.OV3	HB3	E.PE2	HDA	E.MB6
H30	E.THT	HC0	E.CPU	HDB	E.MB7
H31	E.THM	HC1	E.CTE	HDC	E.EP
H40	E.FIN	HC2	E.P24	HF1	E.1
H50	E.IPF	HC4	E.CDO	HF2	E.2
H51	E.UVT	HC5	E.IOH	HF3	E.3
H52	E.ILF	HC6	E.SER	HF6	E.6
H60	E.OLT	HC7	E.AIE	HF7	E.7
H70	E.BE	HC8	E.USB	HFB	E.11
H80	E.GF	HD0	E.OS	HFD	E.13
H81	E.LF	HD1	E.OSD		
H90	E.OHT	HD2	E.ECT		

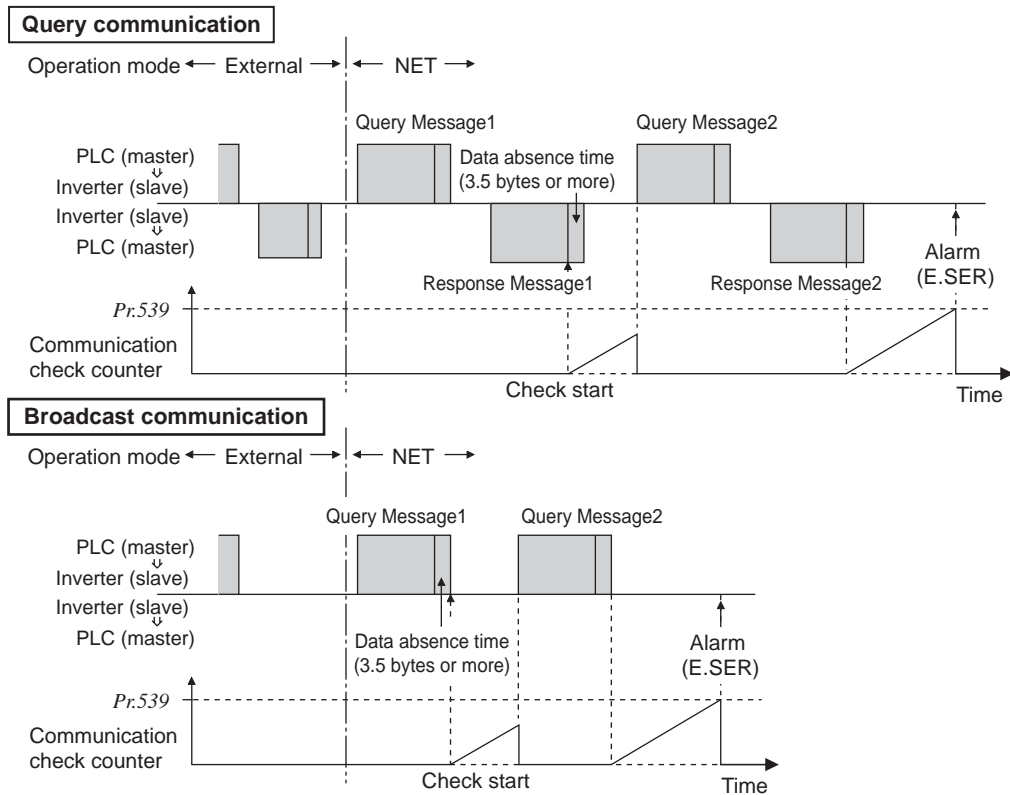
* Refer to *page 387* for details of alarm definition.

(7) Signal loss detection (Pr. 539 Modbus-RTU communication check time interval)

If a signal loss (communication stop) is detected between the inverter and master as a result of a signal loss detection, a communication error (E.SER) occurs and the inverter output is shut off.

- When the setting is "9999", communication check (signal loss detection) is not made.
 - When the setting value is "0", monitor, parameter read, etc. can be performed. However, a communication error (E.SER) occurs as soon as the inverter is switched to the network operation mode.
 - A signal loss detection is made when the setting is any of "0.1s to 999.8s". To make a signal loss detection, it is necessary to send data from the master within the communication check time interval. (The inverter makes communication check (clearing of communication check counter) regardless of the station number setting of the data sent from the master.)
 - Communication check is started from the first communication after switching to the network operation mode (use Pr. 551 PU mode operation command source selection to change).
 - Communication check time of query communication includes data absence time (3.5 byte).
- Since this data absence time differs according to the communication speed, make setting considering this absence time.

Example: RS-485 terminal communication, Pr. 539 = "0.1 to 999.8s"



4.24.7 Operation by PLC function (Pr. 414 to Pr. 417, Pr. 498, Pr. 506 to Pr. 515)

I/O data read, write, etc. can be performed by accessing the inverter in the predetermined method using special relays, special registers, etc.

Operation, parameter read/write, etc. can be performed in accordance with the created sequence programs (built in the inverter) using input data from the control input terminals.

With the output signals, output data can be output to outside the inverter from the control output terminals as not only the inverter's status signals but also pilot lamp on/off, interlock and other control signals set freely by the user.

Parameter Number	Name	Initial Value	Setting Range	Description
414	PLC function operation selection	0	0	PLC function is invalid
			1	PLC function is valid (Inverter reset is necessary to make this setting valid.)
415	Inverter operation lock mode setting	0	0	The inverter start signal is made valid regardless of the sequence program execution key.
			1	The inverter start signal is made valid only when the sequence program execution key is set to RUN. When the sequence program execution key is in the STOP position, the inverter does not start if the inverter start signal STF or STR is turned on. (If the key is switched from RUN to STOP during inverter operation, the inverter is decelerated to a stop.)
416	Pre-scale function selection	0	0 to 5	Pre-scale function selection (increments scaling factor) 0: No function 1: × 1 2: × 0.1 3: × 0.01 4: × 0.001 5: × 0.0001
417	Pre-scale setting value	1	0 to 32767	Set the pre-scale value to calculate the number of sampling pulse when inputting the pulse train.
498	PLC function flash memory clear	0	0 to 9999	9696: Flash memory clear Other than 9696: Flash memory is not cleared
506	Parameter 1 for user	0	0 to 65535	Inverter parameters <i>Pr. 506 to Pr. 515</i> can be used as user parameters. Since this parameter area and the devices used with the PLC function, D110 to D119, are accessible to each other, the values set in <i>Pr. 506 to Pr. 515</i> can be used in a sequence program. The result of operation performed in the sequence program can also be monitored using <i>Pr. 506 to Pr. 515</i> .
507	Parameter 2 for user			
508	Parameter 3 for user			
509	Parameter 4 for user			
510	Parameter 5 for user			
511	Parameter 6 for user			
512	Parameter 7 for user			
513	Parameter 8 for user			
514	Parameter 9 for user			
515	Parameter 10 for user			

Refer to the FR-A700 PLC function programming manual for details of the PLC function.

4.24.8 USB communication (Pr. 547, Pr. 548)

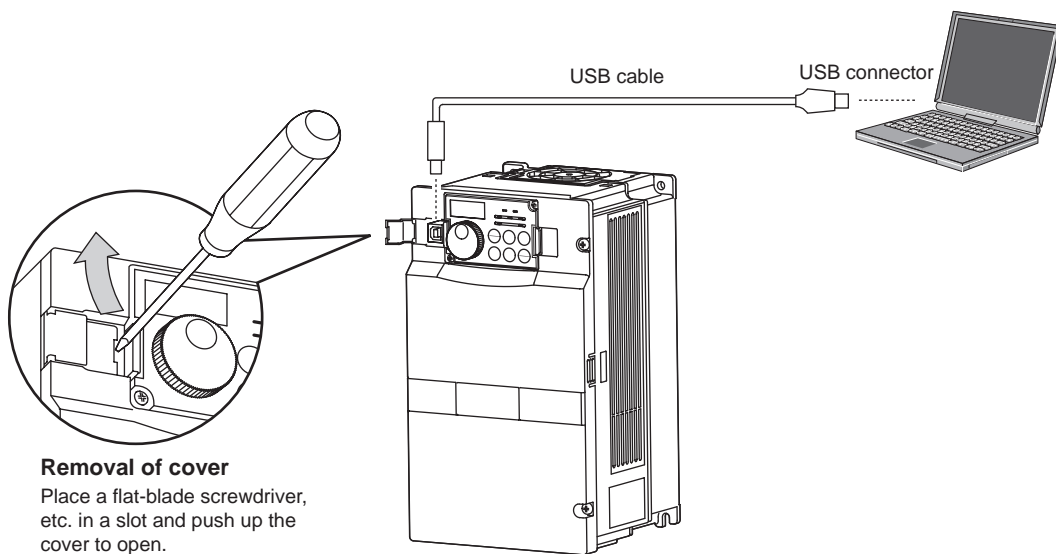
Inverter setup can be easily performed using the FR-Configurator by connecting the inverter and personal computer with a USB cable.

- A personal computer and inverter can be easily connected with one USB cable.

Parameter Number	Name	Initial Value	Setting Range	Description
547	USB communication station number	0	0 to 31	Specify the inverter station number.
548	USB communication check time interval	9999	0	USB communication is enabled. However, the inverter will come to an alarm stop (E. USB) if operation is changed to PU operation mode.
			0.1 to 999.8s	Set the interval of communication check time. If a no-communication state persists for longer than the permissible time, the inverter will come to an alarm stop (E.USB).
			9999	No communication check


●USB communication specifications

Interfase	Conforms to USB1.1
Transmission speed:	12Mbps
Connector	USB B connector (B receptacle)
Cable	Twisted pair shield cable 5m maximum
Power supply	Self-power supply



- When using USB communication, set "3" in Pr. 551 PU mode operation command source selection.
- You can perform parameter setting and monitoring with the FR Configurator. Refer to the instruction manual of the FR-Configurator for details.

◆ Parameters referred to ◆

Pr. 551 PU mode operation command source selection  Refer to page 304

4.25 Special operation and frequency control

Purpose	Parameter that must be Set		Refer to Page
Perform process control such as pump and air volume.	PID control	Pr. 127 to Pr. 134, Pr. 575 to Pr. 577	343
Switch between the inverter operation and commercial power-supply operation to operate.	Commercial power supply-inverter switchover function	Pr. 135 to Pr. 139, Pr. 159	351
Increase speed when the load is light.	Load torque high speed frequency control	Pr. 4, Pr. 5, Pr. 270 to Pr. 274	356
Frequency control appropriate for the load torque	Droop control	Pr. 286 to Pr. 288	358
Frequency setting by pulse train input	Pulse train input	Pr. 291, Pr. 384 to Pr. 386	360
Make the motor speed constant by encoder	Encoder feedback control	Pr. 144, Pr. 285, Pr. 359, Pr. 367 to Pr. 369	362
Traverse function	Traverse function	Pr. 592 to Pr. 597	364
Avoid overvoltage alarm due to regeneration by automatic adjustment of output frequency	Regeneration avoidance function	Pr. 882 to Pr. 886	366

4.25.1 PID control (Pr. 127 to Pr. 134, Pr. 575 to Pr. 577)

The inverter can be used to exercise process control, e.g. flow rate, air volume or pressure.

The terminal 2 input signal or parameter setting is used as a set point and the terminal 4 input signal used as a feedback value to constitute a feedback system for PID control.

Parameter Number	Name	Initial Value	Setting Range	Description	
127	PID control automatic switchover frequency	9999	0 to 400Hz	Set the frequency at which the control is automatically changed to PID control.	
			9999	Without PID automatic switchover function	
128	PID action selection	10	10	PID reverse action	Deviation value signal input (terminal 1)
			11	PID forward action	
			20	PID reverse action	Measured value (terminal 4) Set point (terminal 2 or Pr: 133)
			21	PID forward action	
			50	PID reverse action	Deviation value signal input (LONWORKS , CC-Link communication)
			51	PID forward action	
			60	PID reverse action	Measured value, set point input (LONWORKS , CC-Link communication)
			61	PID forward action	
			70 *2	PID reverse action	Deviation value signal input (PLC function)
			71 *2	PID forward action	
			80 *2	PID reverse action	Measured value, set point input (PLC function)
			81 *2	PID forward action	
			90 *2	PID reverse action	Deviation value signal input (PLC function) (Not reflected to the inverter frequency)
			91 *2	PID forward action	
100 *2	PID reverse action	Measured value, set point input (PLC function) (Not reflected to the inverter frequency)			
101 *2	PID forward action				
129 *1	PID proportional band	100%	0.1 to 1000%	If the proportional band is narrow (parameter setting is small), the manipulated variable varies greatly with a slight change of the measured value. Hence, as the proportional band narrows, the response sensitivity (gain) improves but the stability deteriorates, e.g. hunting occurs. Gain $K_p = 1/\text{proportional band}$	
			9999	No proportional control	
130 *1	PID integral time	1s	0.1 to 3600s	For deviation step input, time (Ti) required for only the integral (I) action to provide the same manipulated variable as that for the proportional (P) action. As the integral time decreases, the set point is reached earlier but hunting occurs more easily.	
			9999	No integral control	

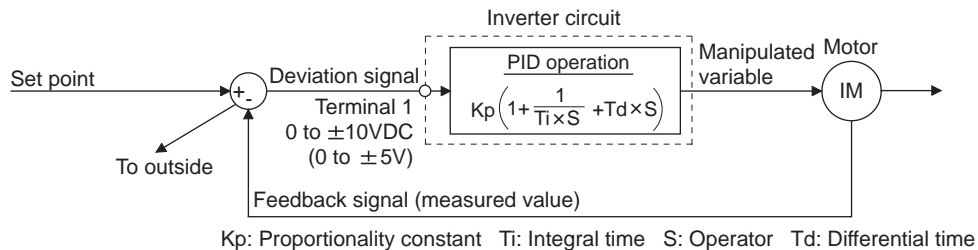
Parameter Number	Name	Initial Value	Setting Range	Description
131	PID upper limit	9999	0 to 100%	Set the upper limit value. If the feedback value exceeds the setting, the FUP signal is output. The maximum input (20mA/5V/10V) of the measured value (terminal 4) is equivalent to 100%.
			9999	No function
132	PID lower limit	9999	0 to 100%	Set the lower limit value. If the measured value falls below the setting range, the FDN signal is output. The maximum input (20mA/5V/10V) of the measured value (terminal 4) is equivalent to 100%.
			9999	No function
133 *1	PID action set point	9999	0 to 100%	Used to set the set point for PID control.
			9999	Terminal 2 input is the set point.
134 *1	PID differential time	9999	0.01 to 10.00s	For deviation lamp input, time (Td) required for providing only the manipulated variable for the proportional (P) action. As the differential time increases, greater response is made to a deviation change.
			9999	No differential control
575	Output interruption detection time	1s	0 to 3600s	The inverter stops operation if the output frequency after PID operation remains at less than the Pr. 576 setting for longer than the time set in Pr. 575.
			9999	Without output interruption function
576	Output interruption detection level	0Hz	0 to 400Hz	Set the frequency at which the output interruption processing is performed.
577	Output interruption cancel level	1000%	900 to 1100%	Set the level (Pr. 577 minus 1000%) at which the PID output interruption function is canceled.

*1 Pr. 129, Pr. 130, Pr. 133 and Pr. 134 can be set during operation. They can also be set independently of the operation mode.

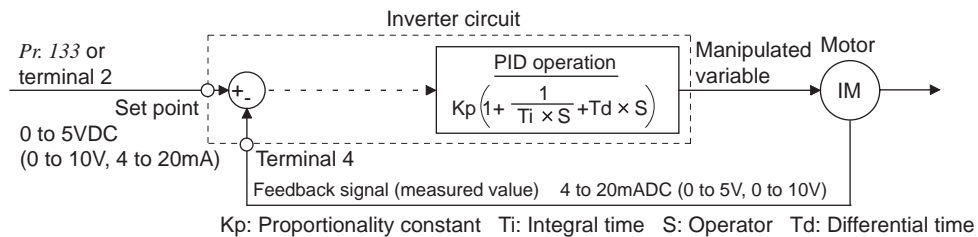
*2 For details, refer to the FR-A700 PLC FUNCTION PROGRAM MANUAL.

(1) PID control basic configuration

·Pr. 128 = "10, 11" (Deviation value signal input)



·Pr. 128 = "20, 21" (Measured value input)



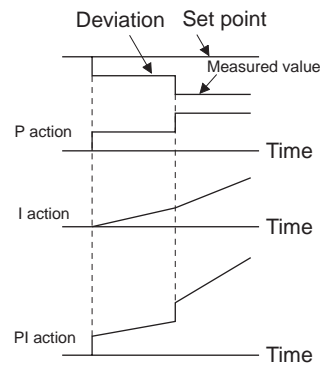
(2) PID action overview

1) PI action

A combination of P action (P) and I action (I) for providing a manipulated variable in response to deviation and changes with time.

[Operation example for stepped changes of measured value]

(Note) PI action is the sum of P and I actions.

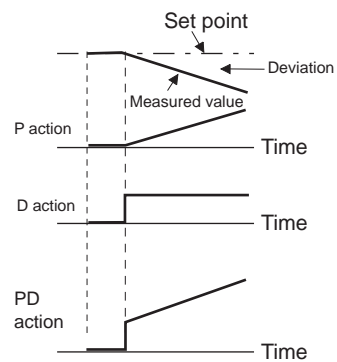


2) PD action

A combination of P action (P) and differential control action (D) for providing a manipulated variable in response to deviation speed to improve the transient characteristic.

[Operation example for proportional changes of measured value]

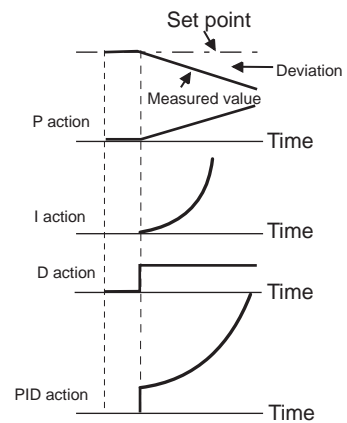
(Note) PD action is the sum of P and D actions.



3) PID action

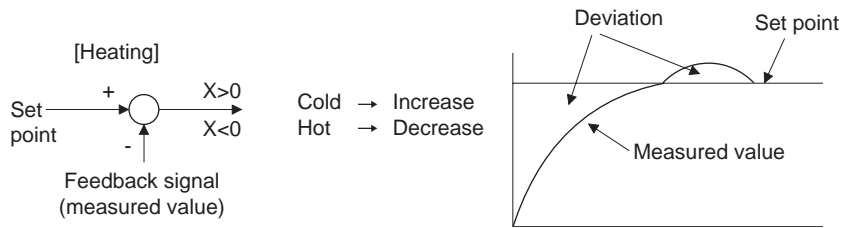
The PI action and PD action are combined to utilize the advantages of both actions for control.

(Note) PID action is the sum of P, I and D actions.



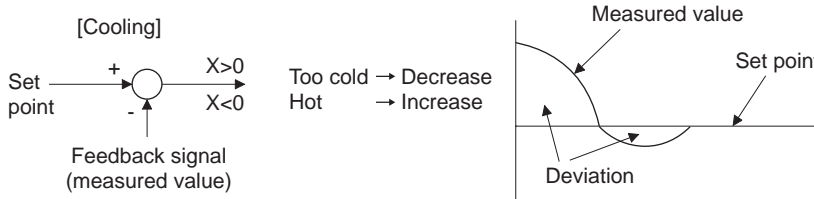
4) Reverse action

Increases the manipulated variable (output frequency) if deviation $X = (\text{set point} - \text{measured value})$ is positive, and decreases the manipulated variable if deviation is negative.



5) Forward action

Increases the manipulated variable (output frequency) if deviation $X = (\text{set point} - \text{measured value})$ is negative, and decreases the manipulated variable if deviation is positive.

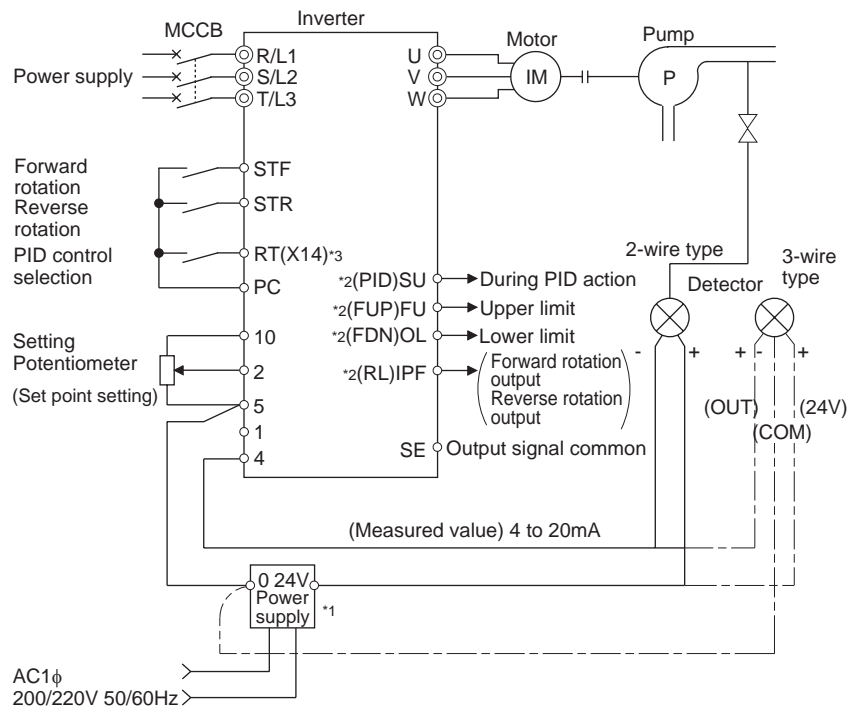


Relationships between deviation and manipulated variable (output frequency)

	Deviation	
	Positive	Negative
Reverse action	↗	↘
Forward action	↘	↗

(3) Connection diagram

- Source logic
- Pr. 128 = 20
- Pr. 183 = 14
- Pr. 191 = 47
- Pr. 192 = 16
- Pr. 193 = 14
- Pr. 194 = 15



*1 The power supply must be selected in accordance with the power specifications of the detector used.
 *2 The used output signal terminal changes depending on the Pr. 190 to Pr. 196 (output terminal selection) setting.
 *3 The used output signal terminal changes depending on the Pr. 178 to Pr. 189 (input terminal selection) setting.

(4) I/O signals and parameter setting

- Turn on the X14 signal to perform PID control. When this signal is off, PID action is not performed and normal inverter operation is performed. (Note that the X14 signal need not be turned on for PID control via LONWORKS communication.)
- Enter the set point across inverter terminals 2-5 or into Pr: 133 and enter the measured value signal across inverter terminals 4-5. At this time, set "20" or "21" in Pr: 128.
- When entering the externally calculated deviation signal, enter it across terminals 1-5. At this time, set "10" or "11" in Pr: 128.

Signal	Terminal Used	Function	Description	Parameter Setting	
Input	X14	PID control selection	Turn on X14 to perform PID control.	Set 14 in any of Pr: 178 to Pr: 189.	
	X64	Depending on Pr: 178 to Pr: 189 PID forward/reverse action switchover	By turning on X64, forward action can be selected for PID reverse action (Pr: 128 = 10, 20), and reverse action for forward action (Pr: 128 = 11, 21).	Set 64 in any of Pr: 178 to Pr: 189.	
	2	2	Set point input	Enter the set point for PID control.	Pr: 128 = 20, 21, Pr: 133 = 9999
				0 to 5V.....0 to 100%	Pr: 73 = 1 *1, 3, 5, 11, 13, 15
				0 to 10V.....0 to 100%	Pr: 73 = 0, 2, 4, 10, 12, 14
		4 to 20mA.....0 to 100%	Pr: 73 = 6, 7		
	PU	—	Set point input	Set the set value (Pr: 133) from the operation panel or parameter unit.	Pr: 128 = 20, 21, Pr: 133 = 0 to 100%
	1	1	Deviation signal input	Input the deviation signal calculated externally.	Pr: 128 = 10 *1, 11
				-5V to +5V-100% to +100%	Pr: 73 = 2, 3, 5, 7, 12, 13, 15, 17
				-10V to +10V-100% to +100%	Pr: 73 = 0, 1 *1, 4, 6, 10, 11, 14, 16
	4	4	Measured value input	Input the signal from the detector (measured value signal).	Pr: 128 = 20, 21
				4 to 20mA. 0 to 100%	Pr: 267 = 0 *1
				0 to 5V..... 0 to 100%	Pr: 267 = 1
				0 to 10V.... 0 to 100%	Pr: 267 = 2
	Communication *2	—	Deviation value input	Input the deviation value from LONWORKS, CC-Link communication.	Pr: 128 = 50, 51
Set value, measured value input			Input the set value and measured value from LONWORKS, CC-Link communication.	Pr: 128 = 60, 61	
PLC	—	Deviation value input	Input the deviation value from PLC function.	Pr: 128 = 70, 71, 90, 91	
		Set value, measured value input	Input the set value and measured value from PLC function.	Pr: 128 = 80, 81, 100, 101	
Output	FUP	Upper limit output	Output to indicate that the measured value signal exceeded the upper limit value (Pr: 131).	Pr: 128 = 20, 21, 60, 61 Pr: 131 ≠ 9999 Set 15 or 115 in any of Pr: 190 to Pr: 196. *3	
	FDN	Lower limit output	Output when the measured value signal falls below the lower limit (Pr: 132).	Pr: 128 = 20, 21, 60, 61 Pr: 132 ≠ 9999 Set 14 or 114 in any of Pr: 190 to Pr: 196. *3	
	RL	Depending on Pr: 190 to Pr: 196 Forward (reverse) rotation direction output	"Hi" is output to indicate that the output indication of the parameter unit is forward rotation (FWD) or "Low" to indicate that it is reverse rotation (REV) or stop (STOP).	Set 16 or 116 in any of Pr: 190 to Pr: 196. *3	
	PID	During PID control activated	Turns on during PID control.	Set 47 or 147 in any of Pr: 190 to Pr: 196. *3	
	SLEEP	PID output interruption	Turns on when the PID output interruption function is performed.	Pr: 575 ≠ 9999 Set 70 or 170 in any of Pr: 190 to Pr: 196. *3	
	SE	SE	Output terminal common	Common terminal for terminals FUP, FDN, RL, PID and SLEEP	

*1 The shaded area indicates the parameter initial value.

*2 For the setting method via LONWORKS communication, refer to the LONWORKS communication option (FR-A7NL) instruction manual. For the setting method via CC-Link communication, refer to the CC-Link communication option (FR-A7NC) instruction manual.

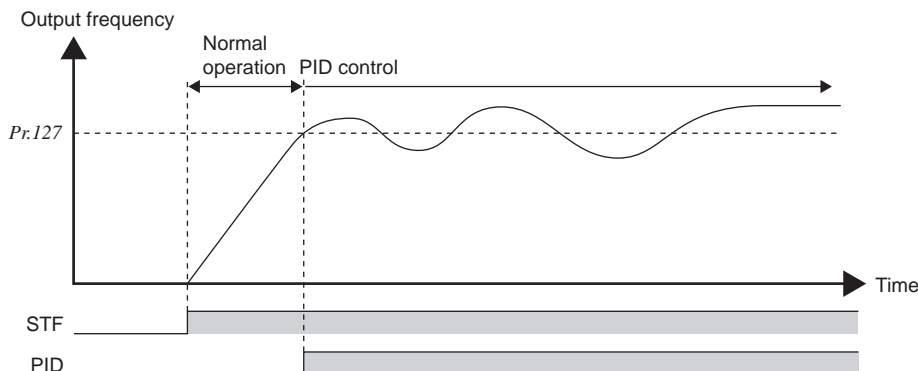
*3 When 100 or larger value is set in any of Pr: 190 to Pr: 196 (output terminal function selection), the terminal output has negative logic. (Refer to page 226 for details)

CAUTION

- Changing the terminal function using any of Pr: 178 to Pr: 189, 190 to Pr: 196 may affect the other functions. Please make setting after confirming the function of each terminal.
- When the Pr: 73 and Pr: 267 settings were changed, check the voltage/current input switch setting. Different setting may cause a fault, failure or malfunction. (Refer to page 271 for setting.)

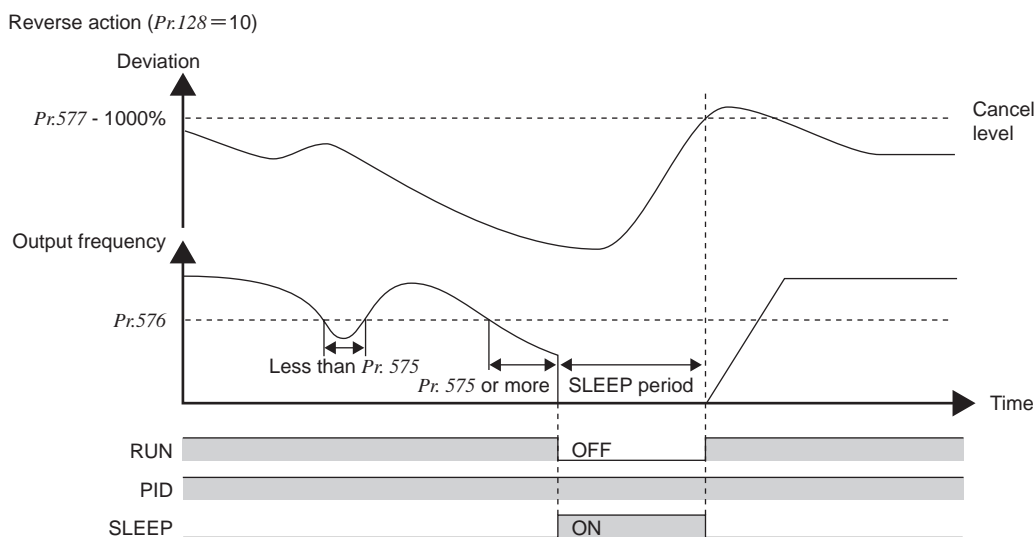
(5) PID control automatic switchover control (Pr. 127)

- For a fast system startup at an operation start, the system can be started up in normal operation mode only at a start.
- When the frequency is set to *Pr. 127 PID control automatic switchover frequency* within the range 0 to 400Hz, the system starts up in normal operation mode from a start until *Pr. 127* is reached, and then it shifts to PID control operation mode. Once the system has entered PID control operation, it continues PID control if the output frequency falls to or below *Pr. 127*.



(6) PID output suspension function (SLEEP function) (SLEEP signal, Pr. 575 to Pr. 577)

- The inverter stops operation if the output frequency after PID operation remains at less than the *Pr. 576 Output interruption detection level* setting for longer than the time set in *Pr. 575 Output interruption detection time*. This function can reduce energy consumption in the low-efficiency, low-speed range.
- When the deviation (= set value - measured value) reaches the PID output shutoff cancel level (*Pr. 577* setting - 1000%) while the PID output interruption function is on, the PID output interruption function is canceled and PID control operation is resumed automatically.
- While the PID output interruption function is on, the PID output interruption signal (SLEEP) is output. At this time, the inverter running signal (RUN) is off and the PID control operating signal (PID) is on.

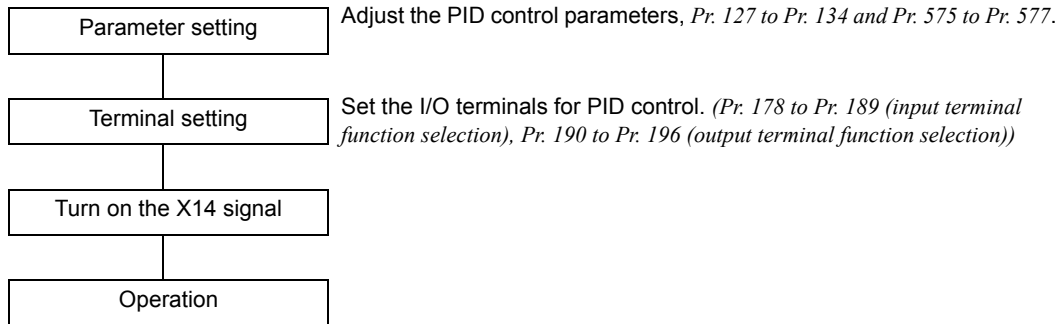


(7) PID monitor function

- The PID control set value, measured value and deviation value can be output to the operation panel monitor display and terminal CA, AM.
- The deviation monitor can display a negative value on the assumption that 1000 is 0%. (The deviation monitor cannot be output from the terminal CA, AM.)
- For the monitors, set the following values in *Pr. 52 DU/PU main display data selection*, *Pr. 54 CA terminal function selection*, and *Pr. 158 AM terminal function selection*.

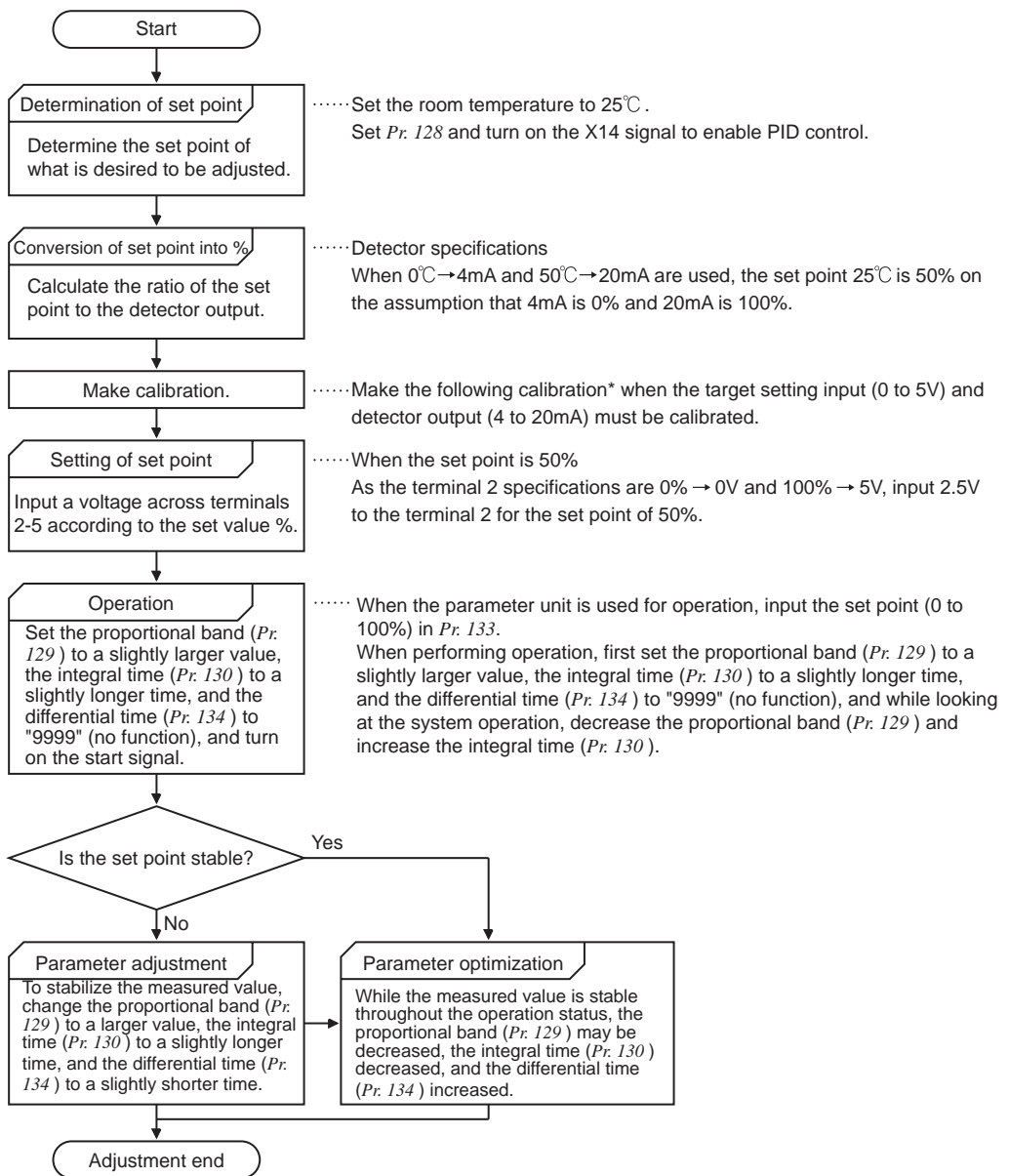
Setting	Monitor Description	Minimum Increments	Terminal CA, AM Full Scale	Remarks
52	PID set point	0.1%	100%	For deviation input (<i>Pr. 128 = 10, 11</i>), the monitor value is always displayed as 0.
53	PID measurement value	0.1%	100%	
54	PID deviation value	0.1%	—	Value cannot be set to <i>Pr. 54</i> or <i>Pr. 158</i> . The PID deviation value of 0% is displayed as 1000.

(8) Adjustment procedure



(9) Calibration example

(A detector of 4mA at 0°C and 20mA at 50°C is used to adjust the room temperature to 25°C under PID control. The set point is given to across inverter terminals 2-5 (0 to 5V).)



*When calibration is required → Using calibration *Pr. 902 and Pr. 903* (terminal 2) or *Pr. 904 and Pr. 905* (terminal 4), calibrate the detector output and target setting input. Make calibration in the PU mode during an inverter stop.

<Set point input calibration>

1. Apply the input voltage of 0% set point setting (e.g. 0V) across terminals 2-5.
2. Enter in *C2* (Pr. 902) the frequency which should be output by the inverter at the deviation of 0% (e.g. 0Hz).
3. In *C3* (Pr. 902), set the voltage value at 0%.
4. Apply the voltage of 100% set point (e.g. 5V) to across terminals 2-5.
5. Enter in Pr. 125 the frequency which should be output by the inverter at the deviation of 100% (e.g. 50Hz).
6. In *C4* (Pr. 903), set the voltage value at 100%.

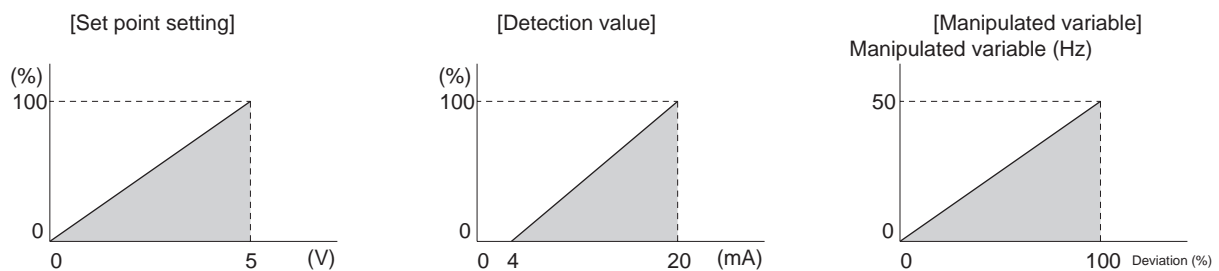
<Detector output calibration>

1. Apply the output current of 0% detector setting (e.g. 4mA) across terminals 4-5.
2. Make calibration using *C6* (Pr. 904).
3. Apply the output current of 100% detector setting (e.g. 20mA) across terminals 4-5.
4. Make calibration using *C7* (Pr. 905).

REMARKS

- The frequency set in *C5* (Pr. 904) and Pr. 126 should be the same as set in *C2* (Pr. 902) and Pr. 125.

The results of the above calibration are as shown below:



CAUTION

- If the multi-speed (RH, RM, RL signal) or jog operation (jog signal) is entered with the X14 signal on, PID control is stopped and multi-speed or jog operation is started.
- If the setting is as follows, PID control becomes invalid.
Pr. 79 Operation mode selection = "6" (switchover mode)
Pr. 858 Terminal 4 function assignment, Pr. 868 Terminal 1 function assignment = "4" (torque command)
- When the Pr. 128 setting is "20" or "21", note that the input across inverter terminals 1-5 is added to the set value across terminals 2-5.
- When using terminal 4 (measured value input) and terminal 1 (deviation input) under PID control, set "0" (initial value) in Pr. 858 Terminal 4 function assignment and "0" (initial value) in Pr. 868 Terminal 1 function assignment.
- Changing the terminal function using any of Pr. 178 to Pr. 189, Pr. 190 to Pr. 196 may affect the other functions. Please make setting after confirming the function of each terminal.
- When PID control is selected, the minimum frequency is the frequency set in Pr. 902 and the maximum frequency is the frequency set in Pr. 903. (Pr. 1 Maximum frequency and Pr. 2 Minimum frequency settings are also valid.)
- The remote operation function is invalid during PID operation.

◆ Parameters referred to ◆

- Pr. 59 Remote function selection Refer to page 162
 Pr. 73 Analog input selection Refer to page 271
 Pr. 79 Operation mode selection Refer to page 295
 Pr. 178 to Pr. 189 (input terminal function selection) Refer to page 219
 Pr. 190 to Pr. 196 (output terminal function selection) Refer to page 226
C2 (Pr. 902) to *C7* (Pr. 905) Frequency setting voltage (current) bias/gain Refer to page 277

4.25.2 Commercial power supply-inverter switchover function (Pr. 57, Pr. 58, Pr. 135 to Pr. 139, Pr. 159)

The complicated sequence circuit for commercial power supply-inverter switchover is built in the inverter. Hence, merely inputting the start, stop or automatic switchover selection signal facilitates the interlock operation of the switchover magnetic contactor.

Parameter Number	Name	Initial Value	Setting Range	Description	
57	Restart coasting time	9999	0	· 00052 or less 0.5s, · 00083 to 00250 1s, · 00310 to 01800 3.0s, · 02160 or more 5.0s, The above times are coasting time.	
			01800 or less	0.1 to 5s	Set the waiting time for inverter-triggered restart after an instantaneous power failure.
			02160 or more	0.1 to 30s	
			9999	No restart	
58	Restart cushion time	1s	0 to 60s	Set a voltage starting time at restart.	
135	Electronic bypass sequence selection	0	0	Without electronic bypass sequence	
			1	With electronic bypass sequence	
136	MC switchover interlock time	1s	0 to 100s	Set the operation interlock time of MC2 and MC3.	
137	Start waiting time	0.5s	0 to 100s	Set the time slightly longer (0.3 to 0.5s or so) than the time from when the ON signal enters MC3 until it actually turns on.	
138	Bypass selection at an alarm	0	0	Inverter output is stopped (motor coast) at inverter fault.	
			1	Operation is automatically switched to bypass operation at inverter fault (Not switched when an external thermal error occurs)	
139	Automatic switchover frequency from inverter to bypass operation	9999	0 to 60Hz	Set the frequency to switch inverter operation to bypass operation. Inverter operation is performed from a start until Pr. 139 is reached, and when the output frequency is at or above Pr. 139, inverter operation is automatically switched to bypass operation.	
			9999	Without automatic switchover	
159	Automatic switchover frequency range from bypass to inverter operation	9999	0 to 10Hz	Valid during automatic switchover operation (Pr. 139 ≠ 9999) When the frequency command decreases below (Pr. 139 minus Pr. 159) after operation is switched from inverter operation to bypass operation, the inverter automatically switches operation to inverter operation and operates at the frequency of frequency command. When the inverter start command (STF/STR) is turned off, operation is switched to inverter operation also.	
			9999	Valid during automatic switchover operation (Pr. 139 ≠ 9999) When the inverter start command (STF/STR) is turned off after operation is switched from inverter operation to bypass inverter operation, operation is switched to inverter operation and the motor decelerates to stop.	

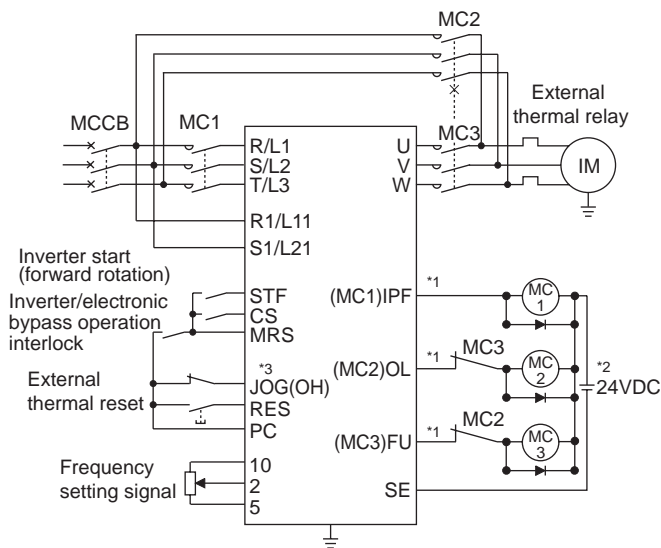
- When the motor is operated at 50Hz (or 60Hz), more efficient operation can be performed by the commercial power supply than by the inverter. When the motor cannot be stopped for a long time for the maintenance/inspection of the inverter, it is recommended to provide the commercial power supply circuit.
- To switch between inverter operation and bypass operation, an interlock must be provided to stop the motor once and then start it by the inverter in order to prevent the inverter from resulting in an overcurrent alarm. Using the electronic bypass sequence function that outputs the timing signal for operation of the magnetic contactor, a complicated commercial power supply switchover interlock can be provided by the inverter.

CAUTION

Commercial operation can not be performed with the Mitsubishi vector motor (SF-V5RU).

(1) Connection diagram

- The following shows the connection diagram of a typical electronic bypass sequence. Source logic, Pr. 185 = "7", Pr. 192 = "17", Pr. 193 = "18", Pr. 194 = "19"



Electronic bypass sequence connection diagram

- *1 Take caution for the capacity of the sequence output terminal. The used terminal changes depending on the setting of Pr. 190 to Pr. 196 (output terminal function selection).

Output Terminal Capacity	Output Terminal Permissible Load
Inverter open collector output (RUN, SU, IPF, OL, FU)	24VDC 0.1A
Inverter relay output (A1-C1, B1-C1, A2-B2, B2-C2) Relay output option (FR-A7AR)	230VAC 0.3A 30VDC 0.3A

- *2 When connecting a DC power supply, insert a protective diode. When connecting an AC power supply, connect a relay output option (FR-A7AR) and use a contact output.
- *3 The used terminal changes depending on the setting of Pr. 180 to Pr. 189 (input terminal function selection).

CAUTION

- Use the electronic bypass operation function in external operation mode. Be sure to connect the other power supply since the function is not performed normally unless the connection terminals R1/L11, S1/L21 are not connected to the other power supply (power supply that does not pass MC1).
- Be sure to provide mechanical interlocks for MC2 and MC3.

- Operations of magnetic contactors (MC1, MC2, MC3)

Magnetic Contactor	Installation Place	Operation (O: Shorted, ×: Open)		
		Bypass operation	During inverter operation	At an inverter alarm occurrence
MC1	Between power supply and inverter input	O	O	× (Shorted by reset)
MC2	Between power supply and motor	O	×	× (Can be selected using Pr. 138, always open when external thermal relay is on)
MC3	Between inverter output and motor	×	O	×

· The input signals are as indicated below.

Signal	Terminal Used	Function	Operation	MC Operation *6		
				MC1 *5	MC2	MC3
MRS	MRS	Operation enable/disable selection *1	ON Bypass-inverter operation enabled	○	—	—
			OFF ... Bypass-inverter operation disabled	○	×	No change
CS	CS	Inverter/electronic bypass *2	ON..... Inverter operation	○	×	○
			OFF ... Bypass operation	○	○	×
STF (STR)	STF(STR)	Inverter operation command (Invalid for bypass) *3	ON..... Forward rotation (reverse rotation)	○	×	○
			OFF Stop	○	×	○
OH	Set "7" in any of Pr. 180 to Pr. 189.	External thermal relay input	ON Motor normal	○	—	—
			OFF Motor abnormal	×	×	×
RES	RES	Operating status initialization *4	ON..... Initialization	No change	×	No change
			OFF Normal operation	○	—	—

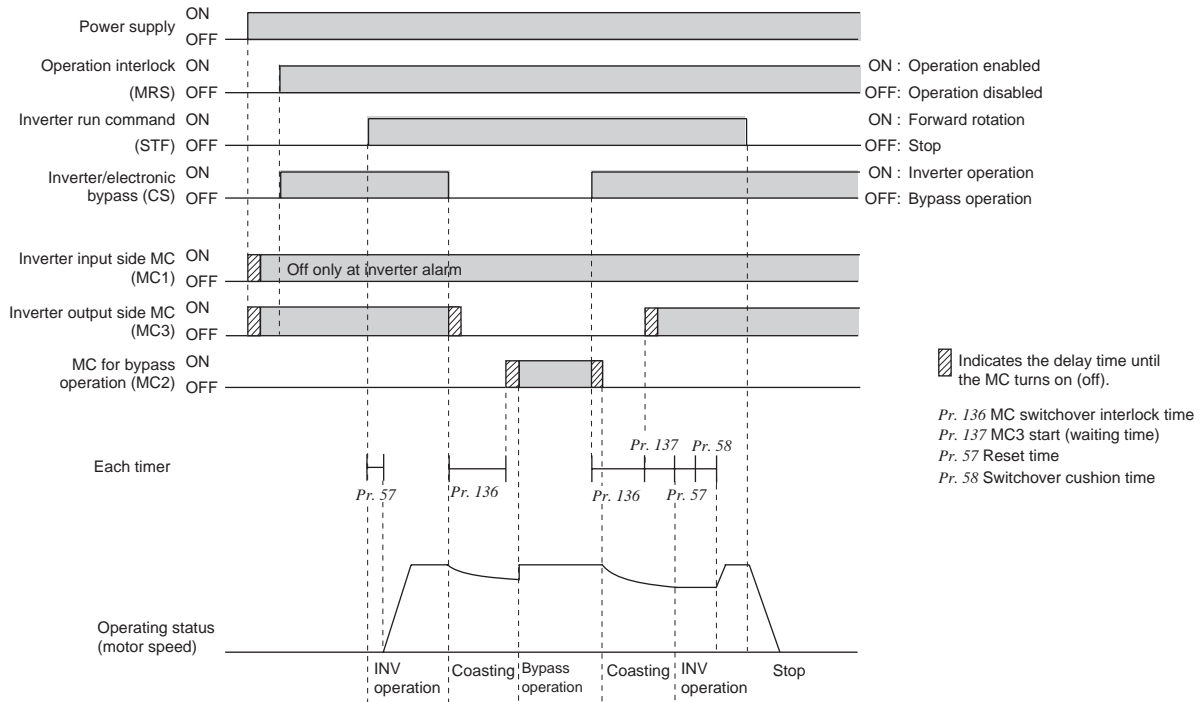
- *1 Unless the MRS signal is turned on, neither bypass operation nor inverter operation can be performed.
- *2 The CS signal functions only when the MRS signal is on.
- *3 STF (STR) functions only when both the MRS signal and CS signal are on.
- *4 The RES signal enables reset input acceptance selection using Pr. 75 Reset selection/disconnected PU detection/PU stop selection.
- *5 MC1 turns off when an inverter alarm occurs.
- *6 MC operation
 - : MC-ON
 - × : MC-OFF
 - : Inverter operation.....MC2 is off and MC3 is on
Bypass operationMC2 is on and MC3 is off
 - No change : The status before the signal turns on or off is held.

· The output signals are as indicated below.

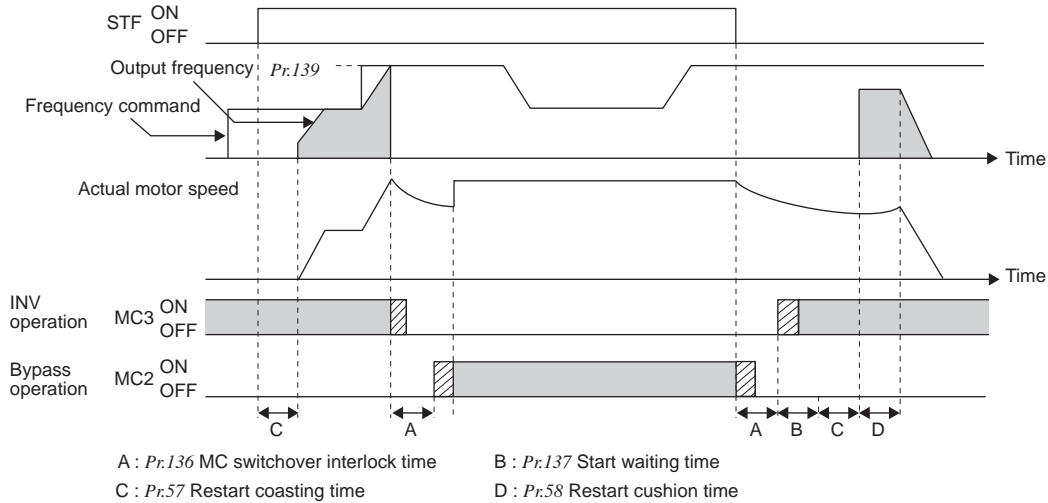
Signal	Terminal Used (Pr. 190 to Pr. 196 setting)	Description
MC1	17	Control signal output of inverter input side magnetic contactor MC1
MC2	18	Control signal output of bypass operation magnetic contactor MC2
MC3	19	Control signal output of inverter output side magnetic contactor MC3

(2) Electronic bypass operation sequence

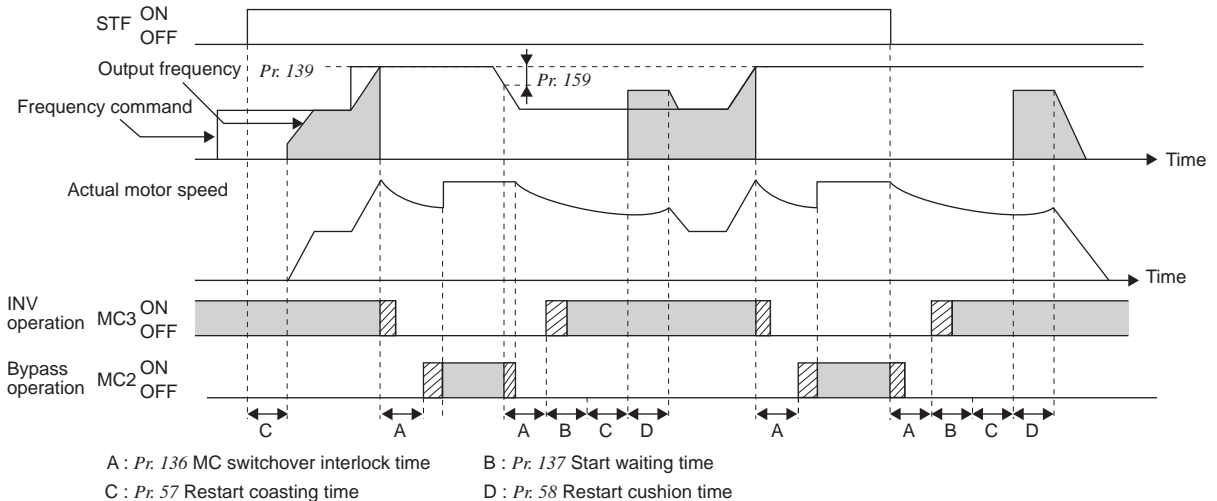
- Operation sequence example when there is no automatic switchover sequence (*Pr. 139 = "9999"*)



- Operation sequence example when there is automatic switchover sequence (*Pr. 139 ≠ "9999"*, *Pr. 159 = "9999"*)



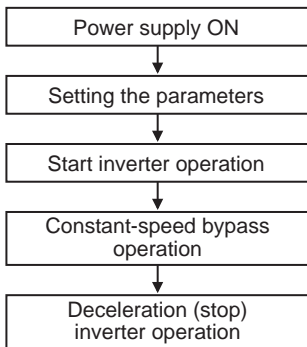
- Operation sequence example when there is automatic switchover sequence (*Pr. 139 ≠ "9999"*, *Pr. 159 ≠ "9999"*)



(3) Operation procedure

1) Procedure for operation

Operation pattern



- Pr: 135 = "1" (open collector output terminal of inverter)
- Pr: 136 = "2.0s"
- Pr: 137 = "1.0s" (Set the time longer than the time from when MC3 actually turns on until the inverter and motor are connected. If the time is short, a restart may not function properly.)
- Pr: 57 = "0.5s"
- Pr: 58 = "0.5s" (Be sure to set this parameter when bypass operation is switched to inverter operation.)

2) Signal ON/OFF after parameter setting

	MRS	CS	STF	MC1	MC2	MC3	Remarks
Power supply ON	OFF (OFF)	OFF (OFF)	OFF (OFF)	OFF → ON (OFF → ON)	OFF (OFF)	OFF → ON (OFF → ON)	External operation mode (PU operation mode)
At start (inverter)	OFF → ON	OFF → ON	OFF → ON	ON	OFF	ON	
At constant speed (commercial power supply)	ON	ON → OFF	ON	ON	OFF → ON	ON → OFF	MC2 turns on after MC3 turns off (coasting status during this period) Waiting time 2s
Switched to inverter for deceleration (inverter)	ON	OFF → ON	ON	ON	ON → OFF	OFF → ON	MC3 turns on after MC2 turns off (coasting status during this period) Waiting time 4s
Stop	ON	ON	ON → OFF	ON	OFF	ON	

CAUTION

- Connect the control power supply (R1/L11, S1/L21) in front of input side MC1. If the control power supply is connected behind input side MC1, the electronic bypass sequence function is not executed.
- The electronic bypass sequence function is valid only when Pr: 135 = "1" in the external operation or combined operation mode (PU speed command, external operation command Pr: 79 = "3"). When Pr: 135 = "1" in the operation mode other than the above, MC1 and MC3 turn on.
- When the MRS and CS signals are on and the STF (STR) signal is off, MC3 is on, but when the motor was coasted to a stop from bypass operation last time, a start is made after the time set in Pr: 137 has elapsed.
- Inverter operation can be performed when the MRS, STF (STR) and CS signals turn on. In any other case (MRS signal - ON), bypass operation is performed.
- When the CS signal is turned off, the motor switches to bypass operation. However, when the STF (STR) signal is turned off, the motor is decelerated to a stop in the inverter operation mode.
- When both MC2 and MC3 are off and either MC2 or MC3 is then turned on, there is a waiting time set in Pr: 136.
- If electronic bypass sequence is made valid (Pr: 135 = "1"), the Pr: 136 and Pr: 137 settings are ignored in the PU operation mode. The input terminals (STF, CS, MRS, OH) of the inverter return to their normal functions.
- When the electronic bypass sequence function (Pr: 135 = "1") and PU operation interlock function (Pr: 79 = "7") are used simultaneously, the MRS signal is shared by the PU operation external interlock signal unless the X12 signal is assigned. (When the MRS and CS signals turn on, inverter operation is enabled)
- Changing the terminal function using any of Pr: 178 to Pr: 189, 190 to Pr: 196 may affect the other functions. Please make setting after confirming the function of each terminal.

◆ Parameters referred to ◆

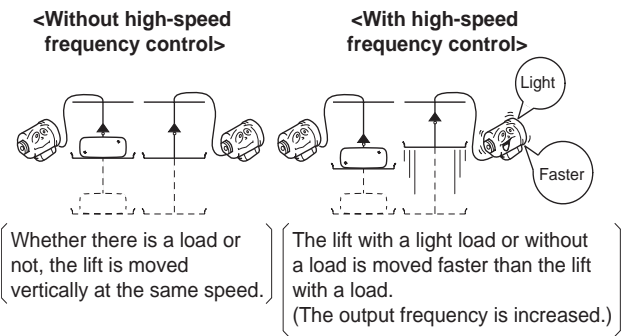
- Pr: 11 DC injection brake operation time Refer to page 191
- Pr: 57 Restart coasting time Refer to page 250
- Pr: 58 Restart cushion time Refer to page 250
- Pr: 79 Operation mode selection Refer to page 295
- Pr: 178 to Pr: 189 (Input terminal function selection) Refer to page 219
- Pr: 190 to Pr: 196 (Output terminal function selection) Refer to page 226

4.25.3 Load torque high speed frequency control (Pr. 4, Pr. 5, Pr. 270 to Pr. 274)

Load torque high speed frequency control is a function which automatically sets the operational maximum frequency according to the load.

More specifically, the magnitude of the load is judged according to the average current at a certain time after starting to perform operation at higher than the preset frequency under light load.

This function is designed to increase speed automatically under light load, for example to minimize the incoming/outgoing time in a multi-story parking lot.

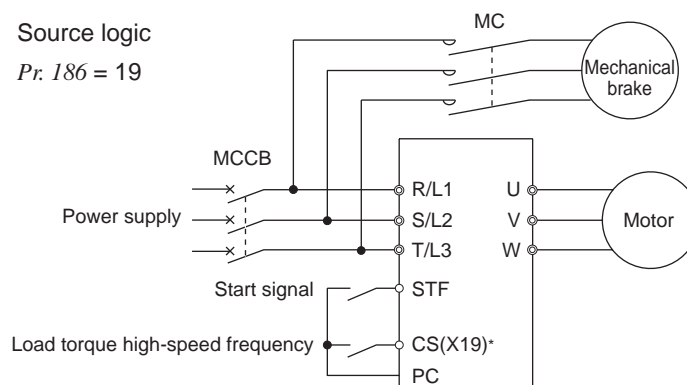


Parameter Number	Name	Initial Value	Setting Range	Description
4	Multi-speed setting (high speed)	50Hz	0 to 400Hz	Set the higher-speed frequency.
5	Multi-speed setting (middle speed)	30Hz	0 to 400Hz	Set the lower-speed frequency.
270	Stop-on contact/load torque high-speed frequency control selection	0	0	Normal operation
			1	Stop-on-control (refer to page 202)
			2	Load torque high speed frequency control
			3	Stop-on-contact (refer to page 202) + load torque high speed frequency control
271	High-speed setting maximum current	50%	0 to 220% *	Set the upper and lower limits of the current at high and middle speeds.
272	Middle-speed setting minimum current	100%	0 to 220% *	
273	Current averaging range	9999	0 to 400Hz	Average current during acceleration from (Pr. 273 × 1/2) Hz to (Pr. 273) Hz can be achieved.
			9999	Average current during acceleration from (Pr. 5 × 1/2) Hz to (Pr. 5) Hz is achieved.
274	Current averaging filter time constant	16	1 to 4000	Set the time constant of the primary delay filter relative to the output current. The time constant [ms] is $0.75 \times Pr. 274$ and the initial value is 12ms. A larger setting provides higher stability but poorer response.

* When Pr. 570 Multiple rating setting ≠ "2", performing all parameter clear and inverter reset changes the setting range. (Refer to page 147)

<Connection diagram>

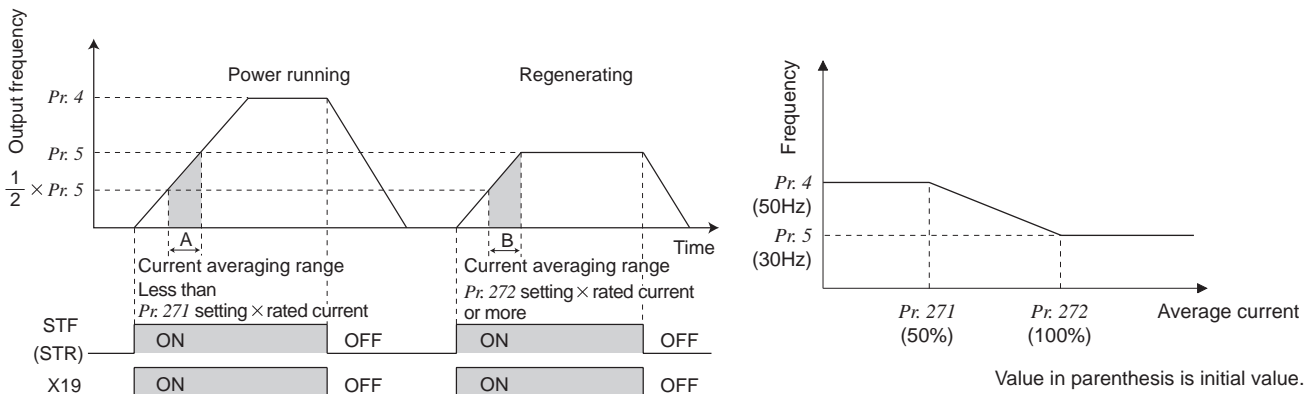
- Source logic
- Pr. 186 = 19



* The used terminal changes according to the Pr. 180 to Pr. 189 (input terminal function selection) settings.

(1) Load torque high speed frequency control setting

- Set "2 or 3" in Pr. 270 Stop-on contact/load torque high-speed frequency control selection.
- When operating with the load torque high speed frequency function selection signal (X19) on, the inverter automatically changes the maximum frequency within the setting range of Pr. 4 Multi-speed setting (high speed) and Pr. 5 according to the magnitude of the average current during the time to accelerate from 1/2 of the frequency set in Pr. 5 Multi-speed setting (middle speed) to the frequency set in Pr. 5.
- Set "19" in Pr. 178 to Pr. 189 (input terminal function selection) and assign the X19 signal function to the input terminal.
- Made valid only in the external operation mode.
- This control can be activated at every start.



(2) Operation of load torque high speed frequency control setting

- When the average current of the current averaging range (above chart A) during operation with the X19 signal on is less than the "rated inverter current × Pr. 271 setting (%)", the maximum frequency automatically becomes the Pr. 4 Multi-speed setting (high speed) setting value.
- When the average current of the current averaging range (above chart B) during operation with the X19 signal on is more than the "rated inverter current × Pr. 272 setting (%)", the maximum frequency automatically becomes the Pr. 5 Multi-speed setting (middle speed) setting value.
- The current averaging range can be set between 1/2 frequency of the Pr. 273 setting value and Pr. 273 set frequency.

CAUTION

- When the current averaging range includes the constant power range, the output current may become large in the constant power range.
- When the average current value in the current averaging range is small, deceleration time becomes longer as the running frequency increases.
- The maximum output frequency is 120Hz. The output frequency is 120Hz even when the setting is above 120Hz.
- The fast-response current limit function is made invalid.
- When the average current during acceleration is too small, it may be judged as regeneration and the maximum frequency becomes the setting of Pr. 5.
- Changing the terminal function using any of Pr. 178 to Pr. 189 may affect the other functions. Please make setting after confirming the function of each terminal.
- The load torque high speed frequency function is made invalid in the following operation conditions. PU operation (Pr. 79), PU+external operation (Pr. 79), JOG operation (JOG signal), PID control function operation (X14 signal), remote setting function operation (Pr. 59), orientation control function operation, multi-speed setting (RH, RM, RL signal), 16 bit digital input option (FR-A7AX)

CAUTION

- When the load is light, the motor may suddenly accelerate to 120Hz maximum, causing hazard. Securely provide mechanical interlock on the machine side to perform.

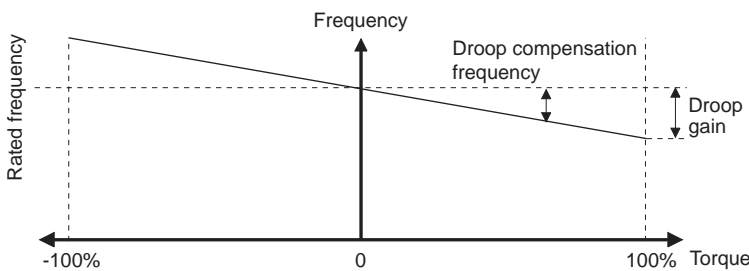
◆ Parameters referred to ◆

- Pr. 4 to Pr. 6, Pr. 24 to Pr. 27 (multi-speed setting) Refer to page 158
- Pr. 59 Remote function selection Refer to page 162
- Pr. 79 Operation mode selection Refer to page 295
- Pr. 128 PID action selection Refer to page 343
- Pr. 178 to Pr. 189 (input terminal function selection) Refer to page 219

4.25.4 Droop control (Pr. 286 to Pr. 288) Magnetic flux Sensorless Vector

This function is designed to balance the load in proportion to the load torque to provide the speed drooping characteristic under advanced magnetic flux vector control, real sensorless vector control and vector control. This function is effective for balancing the load when using multiple inverters

Parameter Number	Name	Initial Value	Setting Range	Description
286	Droop gain	0%	0	Normal operation
			0.1% to 100%	Droop control is valid Set the drooping amount at the rated torque as a percentage with respect to the rated motor frequency.
287	Droop filter time constant	0.3s	0 to 1s	Set the time constant of the filter applied on the torque amount current.
288	Droop function activation selection	0	0	Droop control is not exercised during acceleration/ deceleration.
			1	Droop control is always exercised during operation. (with 0 limit)
			2	Droop control is always exercised during operation. (without 0 limit)
			10	Droop control is not exercised during acceleration/ deceleration. (Motor speed is referenced)
			11	Droop control is always exercised during operation. (Motor speed is referenced)



(1) Droop control

- The output frequency is changed according to the magnitude of torque amount current under advanced magnetic flux vector control, real sensorless vector control and vector control. The drooping amount at the rated torque is set by the droop gain as a percentage using the rated frequency (Motor speed when Pr: 288 = "10, 11") as a reference.
- The maximum droop compensation frequency is 120Hz.

When Pr: 288 = "0 to 2", or under advanced magnetic flux vector control

$$\text{Droop compensation frequency} = \frac{\text{Amount of torque current after filtering}}{\text{Rated value of torque current}} \times \frac{\text{Rated motor frequency} \times \text{Droop gain}}{100}$$

When Pr: 288 = "10, 11"

$$\text{Droop compensation frequency} = \frac{\text{Amount of torque current after filtering}}{\text{Rated value of torque current}} \times \frac{\text{Motor speed} \times \text{Droop gain}}{100}$$

REMARKS

Set the droop gain to about the rated slip of the motor.

$$\text{Rated slip} = \frac{\text{Synchronous speed at base frequency} - \text{Rated speed}}{\text{Synchronous speed at base frequency}} \times 100[\%]$$

(2) Limit the frequency after droop compensation (0 limit)


- Setting *Pr. 288* under real sensorless vector control or vector control can limit the frequency command when the frequency after droop compensation is negative.

<i>Pr. 288</i> Setting	Description	
	Under advanced magnetic flux vector control	Under real sensorless vector control or vector control
0 (initial value), 10	Droop control is not exercised during acceleration/ deceleration. Note that the frequency command after droop control is limited at 0.5Hz when the frequency command after droop control is negative. Droop compensation amount is determined using the rated motor frequency as reference.	Droop control is not exercised during acceleration/ deceleration. Note that the frequency command is limited at 0Hz when the frequency command after droop control is negative. When <i>Pr. 288</i> = "10", droop compensation amount is determined using the motor speed as reference.
1, 11		Droop control is always exercised during operation. Note that the frequency command is limited at 0Hz when the frequency command after droop control is negative. When <i>Pr. 288</i> = "11", droop compensation amount is determined using the motor speed as reference.
2		Droop control is always exercised during operation. Note that under vector control, the frequency command is not limited at 0Hz even when the frequency command after droop control is negative. (The frequency command is limited at 0Hz under real sensorless vector control.)

REMARKS

The maximum value of frequency after droop compensation is either 120Hz or *Pr. 1 Maximum frequency*, whichever is smaller.

◆ Parameters referred to ◆

Pr. 1 Maximum frequency  Refer to page 149

4.25.5 Frequency setting by pulse train input (Pr. 291, Pr. 384 to Pr. 386)

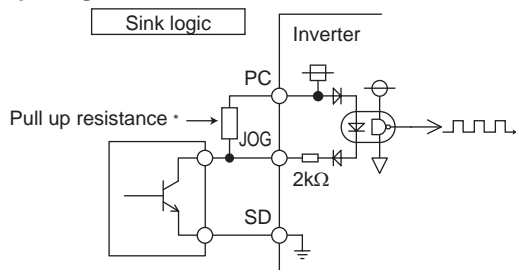
The inverter speed can be set by inputting pulse train from terminal JOG.

Parameter Number	Name	Initial Value	Setting Range	Description
291	Pulse train input selection	0	0	Terminal JOG
			1	Pulse train input
384	Input pulse division scaling factor	0	0	Pulse train input invalid
			1 to 250	Indicates division scaling factor to the input pulse and the frequency resolution to the input pulse changes according to the value.
385	Frequency for zero input pulse	0Hz	0 to 400Hz	Set the frequency when the input pulse is 0 (bias).
386	Frequency for maximum input pulse	50Hz	0 to 400Hz	Set the frequency when the input pulse is maximum (gain).

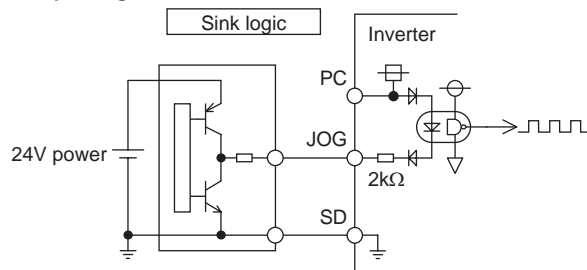
(1) Pulse train input selection (Pr. 291)

- Setting any of "1, 11, 21, 100" in Pr. 291 Pulse train input selection and a value other than "0" in Pr. 384 Input pulse division scaling factor switches terminal JOG to pulse train input terminal and frequency setting of the inverter can be performed. (The initial value is JOG signal)
Pulse train input of maximum of 100k pulse/s is enabled.
- Output specifications (high speed pulse train output or FM output) of terminal FM can be selected using Pr. 291.

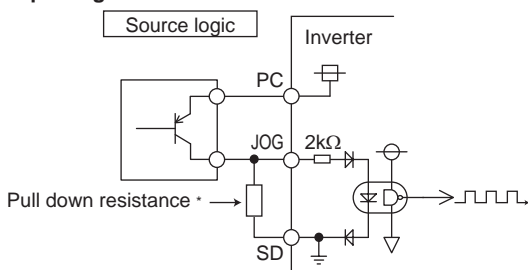
● Connection with an open collector output system pulse generator



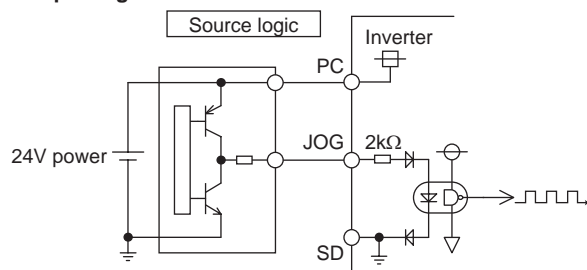
● Connection with a complimentary output system pulse generator



● Connection with an open collector output system pulse generator



● Connection with a complimentary output system pulse generator



* When the wiring length of the open collector output connection is long, input pulse can not be recognized because of a pulse shape deformation due to the stray capacitances of the wiring.

When wiring length is long (10m or more of 0.75mm² twisted cable is recommended), connect an open collector output signal and power supply using a pull up resistance. The reference of resistance value to the wiring length is as in the table below,

Wiring Length	Less than 10m	10 to 50m	50 to 100m
Pull up/down resistance	Not necessary	1kΩ	470Ω
Load current (for reference)	10mA	35mA	65mA

Stray capacitances of the wiring greatly differ according to the cable type and cable laying, the above cable length is not a guaranteed value.

When using a pull up resistance, check the permissible power of the resistor and permissible load current of output transistor and use them within a permissible range.

REMARKS

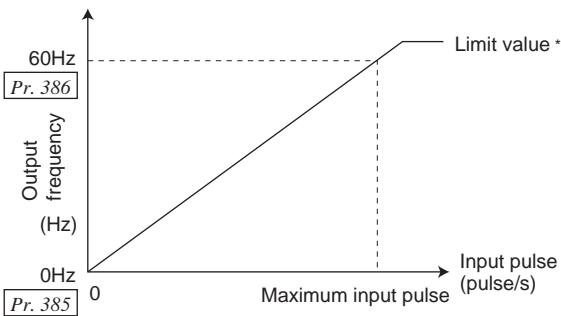
- When pulse train input is selected, a function assigned to terminal JOG using *Pr. 185 JOG terminal function selection* is made invalid.
- When *Pr. 419 Position command source selection* = "2" (conditional position pulse train command by inverter pulse train input), JOG terminal serves as conditional position pulse train terminal regardless of the *Pr. 291*.

●Pulse train input specifications

Item		Specifications
Available pulse method		Open collector output Complimentary output (power supply voltage 24V)
H input level		20V or more (voltage between JOG-SD)
L input level		5V or less (voltage between JOG-SD)
Maximum input pulse rate		100kpps
Minimum input pulse width		2.5us
Input resistance/load current		2kΩ (typ) / 10mA (typ)
Maximum wiring length (reference value)	Open collector output system	10m (0.75mm ² / twisted pair)
	Complimentary output system	100m (output resistance 50Ω) *
Detection resolution		1/3750

* The wiring length of complimentary output depends on the output wiring specifications of complimentary output device. Stray capacitances of the wiring greatly differ according to the cable type and cable laying, the maximum cable length is not a guaranteed value.

(2) Adjustment of pulse train input and frequency (Pr. 385, Pr. 386)



- Frequency for zero input pulse can be set using *Pr. 385 Frequency for zero input pulse* and frequency at maximum input pulse can be set using *Pr. 386 Frequency for maximum input pulse*.

* Limit value can be calculated from the following formula.
(Pr. 386 - Pr. 385) × 1.1 + Pr. 385

(3) Calculation method of division scaling factor of input pulse (Pr. 384)

- Maximum input pulse can be calculated from the following formula using *Pr. 384 Input pulse division scaling factor*.
Maximum of input pulse (pulse/s) = Pr. 384 × 400 (maximum of 100kpulse/s)
Detectable pulse = 11.45 pulse/s
- For example, when you want to operate at 0Hz when pulse train input is zero and operate at 30Hz when pulse train is 4000 pulse/s, set parameters as below.
Pr. 384 = 10 (maximum input pulse 4000 pulse/s)
Pr. 385 = 0Hz, *Pr. 386* = 30Hz (pulse train limit value is 33Hz)

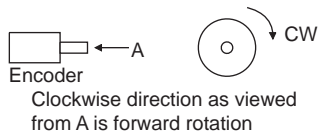
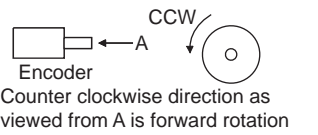
REMARKS

The priorities of the frequency commands by the external signals are "jog operation > multi-speed operation > terminal 4 analog input > pulse train input > terminal 2 analog input".

4.25.6 Encoder feedback control (Pr. 144, Pr. 285, Pr. 359, Pr. 367 to Pr. 369)

V/F Magnetic flux

This controls the inverter output frequency so that the motor speed is constant to the load variation by detecting the motor speed with the speed detector (encoder) to feed it back to the inverter.
Option FR-A7AP is necessary.

Parameter Numbers	Name	Initial Value	Setting Range	Description
144	Speed setting switchover	4	0, 2, 4, 6, 8, 10, 102, 104, 106, 108, 110	Set the number of motor poles when performing encoder feedback control under V/F control.
285	Overspeed detection frequency (Speed deviation excess detection frequency) *1	9999	0 to 30Hz	If (detected frequency) - (output frequency) > Pr. 285 during encoder feedback control, the inverter alarm (E.MB1) is provided.
			9999	Overspeed is not detected.
359 *2	Encoder rotation direction	1	0	 <p>Clockwise direction as viewed from A is forward rotation</p>
			1	 <p>Counter clockwise direction as viewed from A is forward rotation</p>
367 *2	Speed feedback range	9999	0 to 400Hz	Set the region of speed feedback control.
			9999	Encoder feedback control is invalid
368 *2	Feedback gain	1	0 to 100	Set when the rotation is unstable or response is slow.
369 *2	Number of encoder pulses	1024	0 to 4096	Set the number of pulses of the encoder.
				Set the number of pulses before multiplied by four.

*1 When exercising vector control with the FR-A7AP, this parameter changes to excessive speed deviation detection frequency. (For details, refer to page 109)

*2 The above parameters can be set when the FR-A7AP (option) is mounted.

(1) Setting before the operation (Pr. 144, Pr. 359, Pr. 369)

- When performing encoder feedback control under V/F control, set the number of motor poles in Pr. 144 Speed setting switchover according to the motor used. Under advanced magnetic flux vector control, the Pr. 81 Number of motor poles setting is made valid and the Pr. 144 setting is invalid.
- Set the rotation direction and the number of encoder pulses of the encoder using Pr. 359 Encoder rotation direction and Pr. 369 Number of encoder pulses.

REMARKS

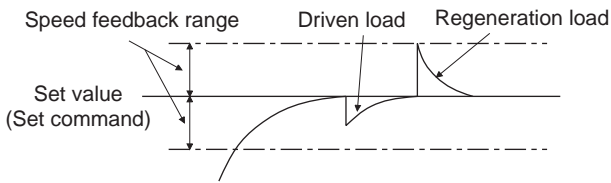
- When "0, 10, 110" is set in Pr. 144 and run the inverter, error E.1 to E.3 occurs.
- When "102, 104, 106, 108" is set in Pr. 144, the value subtracting 100 is set as the number of motor poles.

CAUTION

- If the number of motor poles is wrong, control at correct speed can not be performed. Always check before operation.
- Encoder feedback control can not be performed when the setting of encoder rotation direction is wrong. (Inverter operation is enabled.)

Encoder rotation direction can be checked with the rotation direction display of the parameter unit.

(2) Selection of encoder feedback control (Pr. 367)



- When a value other than "9999" is set in *Pr. 367 Speed feedback range*, encoder feedback control is valid. Using the set point (frequency at which stable speed operation is performed) as reference, set the higher and lower setting range. Normally, set the frequency converted from the slip amount (r/min) of the rated motor speed (rated load). If the setting is too large, response becomes slow.

Example: Rated speed of a 4-pole motor is 1740r/min (60Hz)

$$\begin{aligned} \text{Slip Nsp} &= \text{Synchronous speed} - \text{Rated speed} \\ &= 1800 - 1740 = 60(\text{r/min}) \end{aligned}$$

$$\begin{aligned} \text{Frequency equivalent to slip (fsp)} &= \frac{\text{Nsp} \times \text{Number of poles}}{120} = \frac{60 \times 4}{120} = 2 (\text{Hz}) \end{aligned}$$

(3) Feedback gain (Pr. 368)

- Set *Pr. 368 Feedback gain* when the rotation is unstable or response is slow.
- If the acceleration/deceleration time is long, feedback response becomes slower. In this case, increase the *Pr. 368* setting.

Pr. 368 Setting	Description
<i>Pr. 368</i> > 1	Although the response becomes faster, overcurrent or unstable rotation is liable to occur.
1 < <i>Pr. 368</i>	Although the response becomes slower, the motor rotation becomes stable.

(4) Overspeed detection (Pr. 285)

- If (detection frequency) - (output frequency) > *Pr. 285* under encoder feedback control, E.MB1 occurs and the inverter output is stopped to prevent malfunction when the accurate pulse signal from the encoder can not be detected. Overspeed is not detected when *Pr. 285* = "9999".

CAUTION

- The encoder should be coupled on the same axis with the motor shaft with a speed ratio of 1 to 1 without any mechanical looseness.
- During acceleration/deceleration, encoder feedback control is not performed to prevent unstable phenomenon such as hunting.
- Encoder feedback control is performed once output frequency has reached within [set speed] ± [speed feedback range].
- If the following conditions occur during encoder feedback control, the inverter operates at the frequency within [set speed] ± [speed feedback range] without coming to an alarm stop nor tracking the motor speed.
 - The pulse signals are not received from the encoder due to a signal loss, etc.
 - The accurate pulse signal from the encoder can not be detected due to induction noise, etc.
 - The motor has been forcibly accelerated (regeneration) or decelerated (motor lock or the like) by large external force.
- For the motor with brake, use the RUN signal (inverter running) to open the brake. (The brake may not be opened if the FU (output frequency detection) signal is used.)
- Do not turn off the external power supply of the encoder during encoder feedback control. Encoder feedback control functions abnormally.

◆ Parameters referred to ◆

Pr. 81 Number of motor poles Refer to page 138

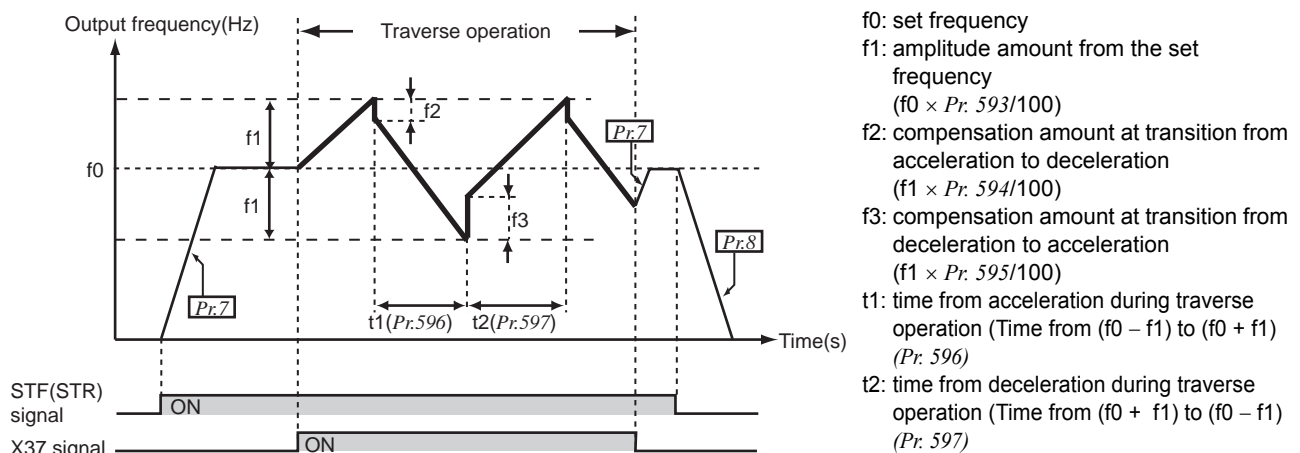
4.25.7 Traverse function (Pr. 592 to Pr. 597)

Traverse operation which varies the amplitude of the frequency in a constant cycle can be performed.

Parameter Number	Name	Initial Value	Setting Range	Description
592	Traverse function selection	0	0	Traverse function invalid
			1	Traverse function is valid only in the external operation mode
			2	Traverse function is valid independently of operation mode
593	Maximum amplitude amount	10%	0 to 25%	Amplitude amount during traverse operation
594	Amplitude compensation amount during deceleration	10%	0 to 50%	Compensation amount at the time of amplitude inversion (acceleration → deceleration)
595	Amplitude compensation amount during acceleration	10%	0 to 50%	Compensation amount during amplitude inversion operation (deceleration → acceleration)
596	Amplitude acceleration time	5s	0.1 to 3600s	Acceleration time during traverse operation
597	Amplitude deceleration time	5s	0.1 to 3600s	Deceleration time during traverse operation

- When "1" or "2" is set in Pr. 592 Traverse function selection, turning on the traverse operation signal (X37) makes the traverse function valid.
- Set "37" in any of Pr. 178 to Pr. 189 Input terminal function selection and assign the X37 signal to the external terminal.

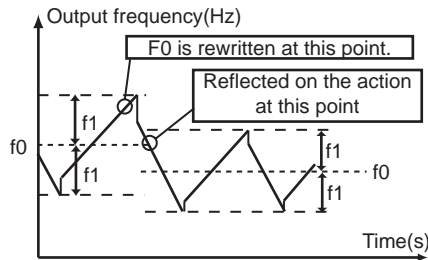
When the X37 signal is not assigned to the input terminal, the traverse function is always valid (X37-ON).



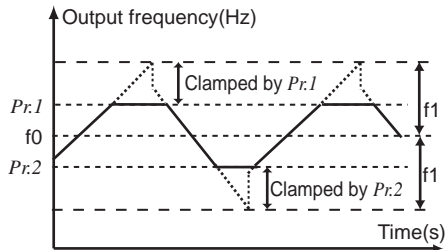
- When the starting command (STF or STR) is switched on, the output frequency accelerates to the set frequency f_0 according to the normal Pr. 7 Acceleration time.
- When the output frequency reaches f_0 , traverse operation can be started by switching the X37 signal on, then the frequency accelerates to $f_0 + f_1$. (The acceleration time at this time depends on the Pr. 596 setting.)
- After having accelerated to $f_0 + f_1$, compensation of f_2 ($f_1 \times Pr. 594$) is made and the frequency decreases to $f_0 - f_1$. (The deceleration time at this time depends on the Pr. 597 setting.)
- After having decelerated to $f_0 - f_1$, compensation of f_3 ($f_1 \times Pr. 595$) is made and the frequency again accelerates to $f_0 + f_1$.
- If the X37 signal is turned on during traverse operation, the frequency accelerates/decelerates to f_0 according to the normal acceleration/deceleration time (Pr. 7, Pr. 8). If the start command (STF or STR) is turned off during traverse operation, the frequency decelerates to a stop according to the normal deceleration time (Pr. 8).

REMARKS

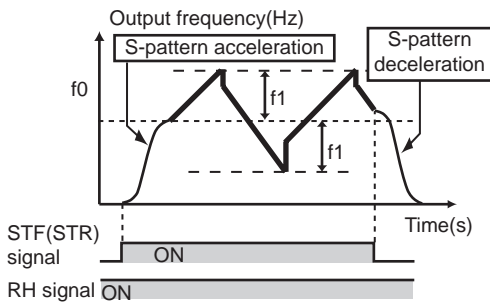
When the second function signal (RT) is on, normal acceleration/deceleration time (Pr. 7, Pr. 8) is the same as second acceleration/deceleration time (Pr. 44, Pr. 45).



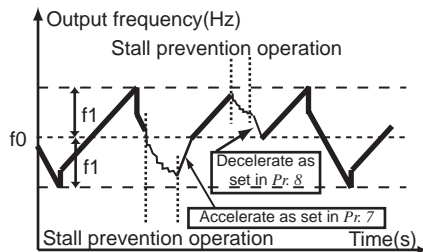
- If the set frequency (f_0) and traverse operation parameters (Pr. 598 to Pr. 597) are changed, pattern operation is performed at changed f_0 after the output frequency reached f_0 before change.



- When the output frequency exceeds Pr. 1 Maximum frequency or Pr. 2 Minimum frequency, the output frequency is clamped at maximum/minimum frequency while the set pattern exceeds the maximum/minimum frequency.



- When the traverse function and S-pattern acceleration/deceleration (Pr. 29 \neq 0) are selected, S-pattern acceleration/deceleration is performed only in the areas where operation is performed in normal Acceleration and deceleration time (Pr. 7, Pr. 8). For acceleration/ deceleration during traverse operation, linear acceleration/ deceleration is made.



- When stall prevention is activated during traverse operation, traverse operation is stopped and normal operation is performed. When stall prevention operation ends, the motor accelerates/decelerates to f_0 in normal acceleration/deceleration time (Pr. 7, Pr. 8). After the output frequency reaches f_0 , traverse operation is again performed.

CAUTION

- When the value of amplitude inversion compensation amount (Pr. 594, Pr. 595) is too large, pattern operation as set is not performed due to overvoltage shut-off and stall prevention.
- Changing the terminal assignment using Pr. 178 to Pr. 189 (input terminal function selection) may affect the other functions. Please make setting after confirming the function of each terminal.

◆ Parameters referred to ◆

Pr. 1 Maximum frequency, Pr. 2 Minimum frequency Refer to page 149
 Pr. 7 Acceleration time, Pr. 8 Deceleration time Refer to page 165
 Pr. 29 Acceleration/deceleration pattern selection Refer to page 168
 Pr.178 to Pr.189 (input terminal function selection) Refer to page 219

4.25.8 Regeneration avoidance function (Pr. 665, Pr. 882 to Pr. 886)

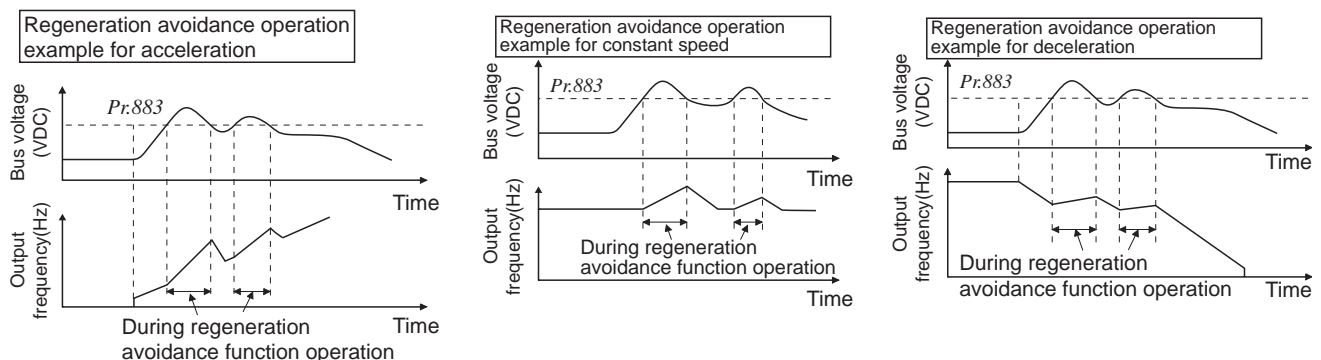
This function detects a regenerative status and increases the frequency to avoid the regenerative status.

- Possible to avoid regeneration by automatically increasing the frequency and continue operation if the fan happens to rotate faster than the set speed due to the effect of another fan in the same duct.

Parameter Number	Name	Initial Value	Setting Range	Description
882	Regeneration avoidance operation selection	0	0	Regeneration avoidance function invalid
			1	Regeneration avoidance function is always valid
			2	Regeneration avoidance function is valid only during a constant speed operation
883	Regeneration avoidance operation level	760VDC/ 785VDC *	300 to 800V	Set the bus voltage level at which regeneration avoidance operates. When the bus voltage level is set to low, overvoltage error will be less apt to occur. However, the actual deceleration time increases. The set value must be higher than the power supply voltage $\times \sqrt{2}$. * The initial value differs according to the inverter capacity. (01800 or less/02160 or more)
884	Regeneration avoidance at deceleration detection sensitivity	0	0	Regeneration avoidance by bus voltage change ratio is invalid
			1 to 5	Set sensitivity to detect the bus voltage change ratio Setting 1 \rightarrow 5 Detection sensitivity low \rightarrow high
885	Regeneration avoidance compensation frequency limit value	6Hz	0 to 10Hz	Set the limit value of frequency which rises at activation of regeneration avoidance function.
			9999	Frequency limit invalid
886	Regeneration avoidance voltage gain	100%	0 to 200%	Adjust responsiveness at activation of regeneration avoidance. A larger setting will improve responsiveness to the bus voltage change. However, the output frequency could become unstable.
665	Regeneration avoidance frequency gain	100%	0 to 200%	When the load inertia of the motor is large, decrease the Pr. 886 setting. When vibration is not suppressed by decreasing the Pr. 886 setting, set a smaller value in Pr. 665.

(1) What is regeneration avoidance function? (Pr. 882, Pr. 883)

- When the regenerative status is serious, the DC bus voltage rises and an overvoltage alarm (E. OV□) may occur. When this bus voltage rise is detected and the bus voltage level reaches or exceeds Pr. 883, increasing the frequency avoids the regenerative status.
- For regeneration avoidance operation, you can select whether it is always activated or activated only at a constant speed.



- Setting Pr. 882 to "1, 2" validates the regeneration avoidance function.

REMARKS

- The inclination of the frequency increased or decreased by the regeneration avoidance function changes depending on the regenerative status.
- The DC bus voltage of the inverter is normally about $\sqrt{2}$ times greater than the input voltage. When the input voltage is 440VAC, the bus voltage is about 622VDC. However, it varies with the input power supply waveform.
- The Pr. 883 setting should be kept higher than the DC bus voltage level. Otherwise, the regeneration avoidance function is always on.
- While overvoltage stall ($\square L$) is activated only during deceleration and stops the decrease in output frequency, the regeneration avoidance function is always on (Pr. 882 = 1) or activated only during a constant speed (Pr. 882 = 2) and increases the frequency according to the regeneration amount.

(2) To detect the regenerative status during deceleration faster (Pr. 884)

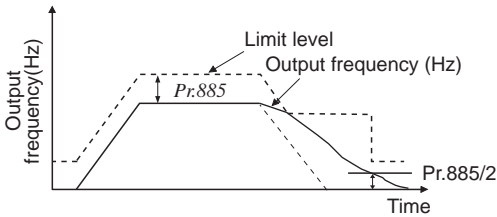
- As the regeneration avoidance function cannot respond to an abrupt voltage change by detection of the bus voltage level, the ratio of bus voltage change is detected to stop deceleration if the bus voltage is less than Pr. 883 *Regeneration avoidance operation level*.
Set that detectable bus voltage change ratio to Pr. 884 as detection sensitivity.
Increasing the setting raises the detection sensitivity

CAUTION

Too small setting (low detection sensitivity) will disable detection, and too large setting will turn on the regeneration avoidance function if the bus voltage is varied by an input power change, etc.

(3) Limit regeneration avoidance operation frequency (Pr. 885)

You can limit the output frequency compensated for (increased) by the regeneration avoidance function.



- The frequency is limited to the output frequency (frequency prior to regeneration avoidance operation) + Pr. 885 *Regeneration avoidance compensation frequency limit value* during acceleration or constant speed. If the regeneration avoidance frequency exceeds the limit value during deceleration, the limit value is held until the output frequency falls to 1/2 of Pr. 885.
- When the regeneration avoidance frequency has reached Pr. 1 *Maximum frequency*, it is limited to the maximum frequency.
- Pr. 885 is set to "9999", the frequency setting is invalid.

(4) Regeneration avoidance function adjustment (Pr. 665, Pr. 886)

- If the frequency becomes unstable during regeneration avoidance operation, decrease the setting of Pr. 886 *Regeneration avoidance voltage gain*. Reversely, if sudden regeneration causes an overvoltage alarm, increase the setting.
- When the load inertia of the motor is large, decrease the Pr. 886 setting. When vibration is not suppressed by decreasing the Pr. 886 *Regeneration avoidance voltage gain* setting, set a smaller value in Pr. 665 *Regeneration avoidance frequency gain*.

CAUTION

- When regeneration avoidance operation is performed, OL (overvoltage stall) is displayed and the OL signal is output.
- When regeneration avoidance operation is performed, stall prevention is also activated at the same time.
- The regeneration avoidance function cannot shorten the actual deceleration time taken to stop the motor. The actual deceleration time depends on the regeneration capability. When shortening the deceleration time, consider using the regeneration unit (BU, FR-BU, MT-BU5, FR-CV, FR-HC, MT-HC) or the brake resistor (FR-ABR, etc.).
- When using the regeneration unit (BU, FR-BU, MT-BU5, FR-CV, FR-HC, MT-HC) or the brake resistor (FR-ABR, etc.), set Pr. 882 to "0 (initial value)" (regeneration avoidance function invalid).
- When regeneration avoidance operation is performed, the OL signal output item of Pr. 156 also becomes the target of OL (overvoltage stall). Pr. 157 *OL signal output timer* also becomes the target of OL (overvoltage stall).
- Under vector control, unusual noise may be generated from the motor during deceleration when using regeneration avoidance function. To prevent this, make gain adjustment, e.g. by performing easy gain tuning. (Refer to page 97)

◆ Parameters referred to ◆

- Pr. 1 *Maximum frequency* Refer to page 149
- Pr. 8 *Deceleration time* Refer to page 165
- Pr. 22 *Stall prevention operation level* Refer to page 142



4.26 Useful functions

Purpose	Parameter that must be Set		Refer to Page
Increase cooling fan life	Cooling fan operation selection	Pr. 244	368
To determine the maintenance time of parts.	Inverter part life display	Pr. 255 to Pr. 259	369
	Maintenance output function	Pr. 503, Pr. 504	371
	Current average value monitor signal	Pr. 555 to Pr. 557	372
Freely available parameter	Free parameter	Pr. 888, Pr. 889	374

4.26.1 Cooling fan operation selection (Pr. 244)

You can control the operation of the cooling fan (FR-A740-00083 or more) built in the inverter.

Parameter Number	Name	Initial Value	Setting Range	Description
244	Cooling fan operation selection	1	0	A cooling fan operates at power on Cooling fan on/off control invalid (The cooling fan is always on at power on)
			1	Cooling fan on/off control valid The fan is always on while the inverter is running. During a stop, the inverter status is monitored and the fan switches on-off according to the temperature.

- In either of the following cases, fan operation is regarded as faulty, [FN] is shown on the operation panel, and the fan fault (FAN) and minor fault (LF) signals are output.
 - Pr. 244 = "0"
When the fan comes to a stop with power on
 - Pr. 244 = "1"
When the fan stops during the fan ON command while the inverter is running
- For the terminal used for FAN signal output, set "25" (positive logic) or "125" (negative logic) in any of Pr. 190 to Pr. 196 (output terminal function selection), and for the LF signal, set "98" (positive logic) or "198" (negative logic).

CAUTION

- When terminal assignment is changed using Pr. 190 to Pr. 196 (output terminal function selection), the other functions may be affected. Please make setting after confirming the function of each terminal.

◆ Parameters referred to ◆

Pr. 190 to Pr. 196 (output terminal function selection) Refer to page 226

4.26.2 Display of the life of the inverter parts (Pr. 255 to Pr. 259)

Degrees of deterioration of main circuit capacitor, control circuit capacitor, cooling fan and inrush current limit circuit can be diagnosed by monitor.

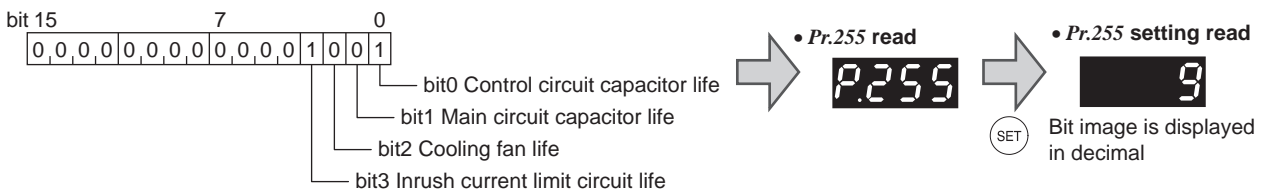
When any part has approached the end of its life, an alarm can be output by self diagnosis to prevent a fault. (Use the life check of this function as a guideline since the life except the main circuit capacitor is calculated theoretically.)

For the life check of the main circuit capacitor, the alarm signal (Y90) will not be output if a measuring method of (4) is not performed.

Parameter Number	Name	Initial Value	Setting Range	Description
255	Life alarm status display	0	(0 to 15)	Display whether the control circuit capacitor, main circuit capacitor, cooling fan, and each parts of the inrush current limit circuit has reached the life alarm output level or not. Reading only
256	Inrush current limit circuit life display	100%	(0 to 100%)	Display the deterioration degree of the inrush current limit circuit. Reading only
257	Control circuit capacitor life display	100%	(0 to 100%)	Display the deterioration degree of the control circuit capacitor. Reading only
258	Main circuit capacitor life display	100%	(0 to 100%)	Display the deterioration degree of the main circuit capacitor. Reading only The value measured by Pr. 259 is displayed.
259	Main circuit capacitor life measuring	0	0, 1 (2, 3, 8, 9)	Setting "1" and switching the power supply off starts the measurement of the main circuit capacitor life. When the Pr. 259 value is "3" after powering on again, the measuring is completed. Read the deterioration degree in Pr. 258.

(1) Life alarm display and signal output (Y90 signal, Pr. 255)

- Whether any of the control circuit capacitor, main circuit capacitor, cooling fan and inrush current limit circuit has reached the life alarm output level or not can be checked by Pr. 255 Life alarm status display and life alarm signal (Y90).



Pr. 255 (decimal)	Bit (binary)	Inrush Current Limit Circuit Life	Cooling Fan Life	Main Circuit Capacitor Life	Control Circuit Capacitor Life
15	1111	○	○	○	○
14	1110	○	○	○	×
13	1101	○	○	×	○
12	1100	○	○	×	×
11	1011	○	×	○	○
10	1010	○	×	○	×
9	1001	○	×	×	○
8	1000	○	×	×	×
7	0111	×	○	○	○
6	0110	×	○	○	×
5	0101	×	○	×	○
4	0100	×	○	×	×
3	0011	×	×	○	○
2	0010	×	×	○	×
1	0001	×	×	×	○
0	0000	×	×	×	×

○: With warnings, ×: Without warnings



- The life alarm signal (Y90) turns on when any of the control circuit capacitor, main circuit capacitor, cooling fan and inrush current limit circuit reaches the life alarm output level.
- For the terminal used for the Y90 signal, set "90" (positive logic) or "190" (negative logic) to any of *Pr. 190 to Pr. 196* (output terminal function selection).

REMARKS

- The digital output option (FR-A7AY) allows the control circuit capacitor life signal (Y86), main circuit capacitor life signal (Y87), cooling fan life signal (Y88) and inrush current limit circuit life signal (Y89) to be output individually.

CAUTION

- When terminal assignment is changed using *Pr. 190 to Pr. 196* (output terminal function selection), the other functions may be affected. Please make setting after confirming the function of each terminal.

(2) Life display of the inrush current limit circuit (Pr. 256)

- The life of the inrush current limit circuit (relay, contactor and inrush resistor) is displayed in *Pr. 256*.
- The number of contact (relay, contactor, thyristor) ON times is counted, and it is counted down from 100% (1 million times) every 1%/10,000 times. As soon as 10% (900,000 times) is reached, *Pr. 255* bit 3 is turned on and also an alarm is output to the Y90 signal.

(3) Control circuit capacitor life display (Pr. 257)

- The deterioration degree of the control circuit capacitor is displayed in *Pr. 257* as a life.
- In the operating status, the control circuit capacitor life is calculated from the energization time and temperature, and is counted down from 100%. As soon as the control circuit capacitor life falls below 10%, *Pr. 255* bit 0 is turned on and also an alarm is output to the Y90 signal.

(4) Main circuit capacitor life display (Pr. 258, Pr. 259)

- The deterioration degree of the main circuit capacitor is displayed in *Pr. 258* as a life.
- On the assumption that the main circuit capacitor capacitance at factory shipment is 100%, the capacitor life is displayed in *Pr. 258* every time measurement is made. When the measured value falls to or below 85%, *Pr. 255* bit 1 is turned on and also an alarm is output to the Y90 signal.
- Measure the capacitor capacity according to the following procedure and check the deterioration level of the capacitor capacity.
 - 1) Check that the motor is connected and at a stop.
 - 2) Set "1" (measuring start) in *Pr. 259*
 - 3) Switch power off. The inverter applies DC voltage to the motor to measure the capacitor capacity while the inverter is off.
 - 4) After making sure that the power lamp is off, switch on the power supply again.
 - 5) Check that "3" (measuring completion) is set in *Pr. 259*, read *Pr. 258*, and check the deterioration degree of the main circuit capacitor.

<i>Pr. 259</i>	Description	Remarks
0	No measurement	Initial value
1	Measurement start	Measurement starts when the power supply is switched off.
2	During measurement	Only displayed and cannot be set
3	Measurement complete	
8	Forced end See (c), (g), (h), (i) below.	
9	Measurement error See (d), (e), (f) below.	

REMARKS

- The life of the main circuit capacitor can not be measured in the following conditions.
 - (a) The FR-HC, MT-HC, FR-CV, FR-BU, MT-BU5 or BU is connected
 - (b) Terminals R1/L11, S1/L21 or DC power supply is connected to the terminal P/+ and N/-.
 - (c) Switch power on during measuring.
 - (d) The motor is not connected to the inverter.
 - (e) The motor is running. (The motor is coasting.)
 - (f) The motor capacity is two rank smaller as compared to the inverter capacity.
 - (g) The inverter is at an alarm stop or an alarm occurred while power is off.
 - (h) The inverter output is shut off with the MRS signal.
 - (i) The start command is given while measuring.
- Operating environment: Ambient Temperature (annual average 40°C (free from corrosive gas, flammable gas, oil mist, dust and dirt))
Output current (80% of the rated current of Mitsubishi standard 4P motor)

(5) Cooling fan life display

- The cooling fan speed of 50% or less is detected and "FN" is displayed on the operation panel (FR-DU07) and parameter unit (FR-PU04/FR-PU07). As an alarm display, Pr. 255 bit 2 is turned on and also an alarm is output to the Y90 signal.

REMARKS

- When the inverter is mounted with two or more cooling fans, the life of even one cooling fan is diagnosed.

CAUTION

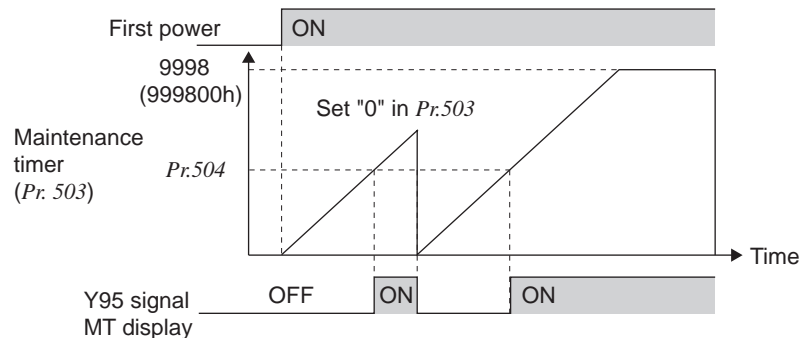
- For replacement of each part, contact the nearest Mitsubishi FA center.

4.26.3 Maintenance timer alarm (Pr. 503, Pr. 504)

When the cumulative energization time of the inverter reaches the parameter set time, the maintenance timer output signal (Y95) is output. (MT) is displayed on the operation panel (FR-DU07).

This can be used as a guideline for the maintenance time of peripheral devices.

Parameter Number	Name	Initial Value	Setting Range	Description
503	Maintenance timer	0	0 (1 to 9998)	Display the cumulative energization time of the inverter in 100h increments. Reading only Writing the setting of "0" clears the cumulative energization time.
504	Maintenance timer alarm output set time	9999	0 to 9998	Set the time taken until when the maintenance timer alarm output signal (Y95) is output.
			9999	No function



- The cumulative energization time of the inverter is stored into the EEPROM every hour and indicated in Pr. 503 Maintenance timer in 100h increments. Pr. 503 is clamped at 9998 (999800h).
- When the Pr. 503 value reaches the time set in Pr. 504 Maintenance timer alarm output set time (100h increments), the maintenance timer alarm output signal (Y95) is output.
- For the terminal used for the Y95 signal output, assign the function by setting "95" (positive logic) or "195" (negative logic) to any of Pr. 190 to Pr. 196 (output terminal function selection).

CAUTION

- The cumulative energization time is counted every hour. The energization time of less than 1h is not counted.
- When terminal assignment is changed using Pr. 190 to Pr. 196 (output terminal function selection), the other functions may be affected. Please make setting after confirming the function of each terminal.

◆ Parameters referred to ◆

Pr. 190 to Pr. 196(output terminal function selection) Refer to page 226

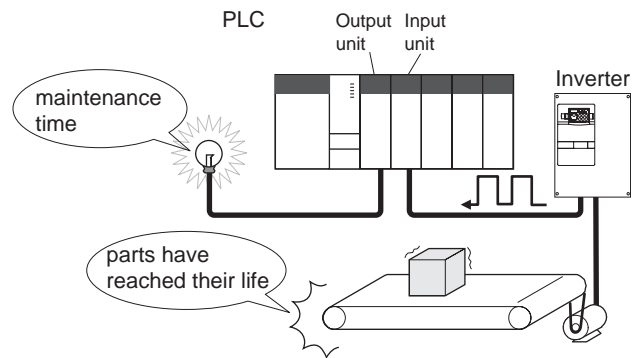


4.26.4 Current average value monitor signal (Pr. 555 to Pr. 557)

The average value of the output current during constant speed operation and the maintenance timer value are output as a pulse to the current average value monitor signal (Y93).

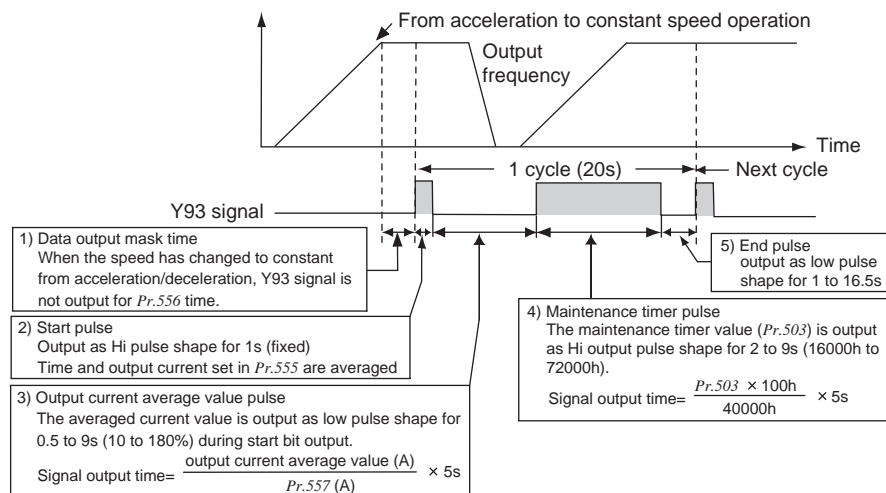
The pulse width output to the I/O module of the PLC etc. can be used as a guideline due to abrasion of machines and elongation of belt and for aged deterioration of devices to know the maintenance time.

The current average value monitor signal (Y93) is output as pulse for 20s as 1 cycle and repeatedly output during constant speed operation.



Parameter Number	Name	Initial Value	Setting Range		Description
555	Current average time	1s	0.1 to 1.0s		Set the time taken to average the current during start pulse output (1s).
556	Data output mask time	0s	0.0 to 20.0s		Set the time for not obtaining (mask) transient state data.
557	Current average value monitor signal output reference current	Rated inverter current	01800 or less	0 to 500A	Set the reference (100%) for outputting the signal of the current average value.
			02160 or more	0 to 3600A	

The above parameters allow its setting to be changed during operation in any operation mode even if "0" (initial value) is set in *Pr. 77 Parameter write selection*.



- The pulse output of the current average value monitor signal (Y93) is shown above.
- For the terminal used for the Y93 signal output, assign the function by setting "93" (positive logic) or "193" (negative logic) to any of *Pr. 190 to Pr. 194 (output terminal function selection)*. (The function can not be assigned to *Pr. 195 ABC1 terminal function selection* and *Pr. 196 ABC2 terminal function selection*.)

(1) Setting of *Pr. 556 Data output mask time*

The output current is unstable (transient state) right after the operation is changed from the acceleration/deceleration state to the constant speed operation. Set the time for not obtaining (mask) transient state data in *Pr. 556*.

(2) Setting of the *Pr. 555 Current average time*

The average output current is calculated during Hi output of start bit (1s). Set the time taken to average the current during start bit output in *Pr. 555*.

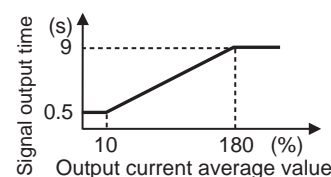
(3) Setting of Pr. 557 Current average value monitor signal output reference current

Set the reference (100%) for outputting the signal of the current average value. Obtain the time to output the signal from the following formula.

$$\frac{\text{Output current average value}}{\text{Pr. 557 setting}} \times 5\text{s (output current average value 100\%/5s)}$$

Note that the output time range is 0.5 to 9s, and it is 0.5s when the output current average value is less than 10% of the setting value of Pr. 557 and 9s when exceeds 180%.

Example) When Pr. 557 = 10A and the average value of output current is 15A
 As $15\text{A}/10\text{A} \times 5\text{s} = 7.5$, the current average value monitor signal is output as low pulse shape for 7.5s.

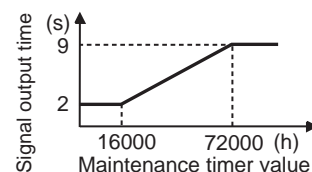


(4) Output of Pr. 503 Maintenance timer

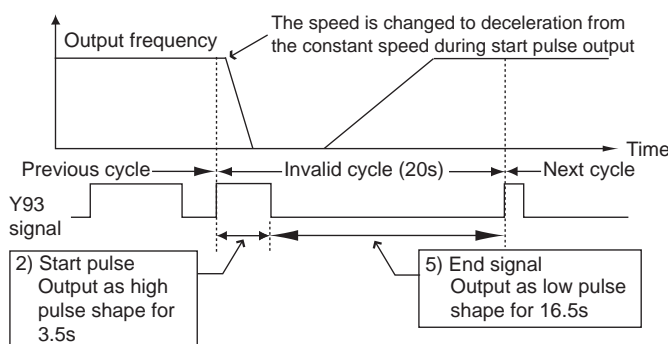
After the output current average value is output as low pulse shape, the maintenance timer value is output as high pulse shape. The output time of the maintenance timer value is obtained from the following formula.

$$\frac{\text{Pr. 503}}{40000\text{h}} \times 5\text{s (maintenance timer value 100\%/5s)}$$

Note that the output time range is 2 to 9s, and it is 2s when Pr. 503 is less than 16000h and 9s when exceeds 72000h.


REMARKS

- Mask of data output and sampling of output current are not performed during acceleration/deceleration.
- When the speed is changed to acceleration/deceleration from constant speed during start pulse output, the data is judged as invalid, the start pulse is output as high pulse shape for 3.5s, and the end signal is output as low pulse shape for 16.5s. The signal is output for at least 1 cycle even when acceleration/deceleration state continues after the start pulse output is completed.



- When the output current value (inverter output current monitor) is 0A on completion of the 1 cycle signal output, the signal is not output until the speed becomes constant next time
- The current average value monitor signal (Y93) is output as low pulse shape for 20s (without data output) under the following condition.
 - When the motor is in the acceleration/deceleration state on completion of the 1 cycle signal output
 - When 1-cycle signal output was ended during restart operation with the setting of automatic restart after instantaneous power failure (Pr. 57 ≠ "9999")
 - When automatic restart operation was being performed with automatic restart after instantaneous power failure selected (Pr. 57 ≠ "9999") on completion of the data output mask

CAUTION

- When terminal assignment is changed using Pr. 190 to Pr. 196 (output terminal function selection), the other functions may be affected. Please make setting after confirming the function of each terminal.

◆ Parameters referred to ◆

Pr. 190 to Pr. 196 (output terminal function selection) Refer to page 226
 Pr. 503 Maintenance timer Refer to page 371
 Pr. 57 Restart coasting time Refer to page 250



4.26.5 Free parameter (Pr. 888, Pr. 889)

You can input any number within the setting range 0 to 9999.

For example, the number can be used:

- As a unit number when multiple units are used.
- As a pattern number for each operation application when multiple units are used.
- As the year and month of introduction or inspection.

Parameter Number	Name	Initial Value	Setting Range	Description
888	Free parameter 1	9999	0 to 9999	
889	Free parameter 2	9999	0 to 9999	

The above parameters allow its setting to be changed during operation in any operation mode even if "0" (initial value) is set in *Pr. 77 Parameter write selection*.

REMARKS

- The set value is stored in EEPROM as same as other parameter, the setting value is saved even after power off.
- *Pr. 888* and *Pr. 889* do not influence the inverter operation.

4.27 Setting of the parameter unit and operation panel

Purpose	Parameter that must be Set		Refer to Page
Switch the display language of the parameter unit	PU display language selection	Pr. 145	375
Use the setting dial of the operation panel like a volume for frequency setting. Key lock of operation panel	Operation panel operation selection	Pr. 161	375
Control of the parameter unit, operation panel buzzer	PU buzzer control	Pr. 990	377
Adjust the LCD contrast of the parameter unit	PU contrast adjustment	Pr. 991	377

4.27.1 PU display language selection (Pr. 145)

You can switch the display language of the parameter unit (FR-PU04/FR-PU07) to another.

Parameter Number	Name	Initial Value	Setting Range	Description
145	PU display language selection	1	0	Japanese
			1	English
			2	Germany
			3	French
			4	Spanish
			5	Italian
			6	Swedish
			7	Finnish

4.27.2 Operation panel frequency setting/key lock operation selection (Pr. 161)

The setting dial of the operation panel (FR-DU07) can be used like a volume to perform operation.
The key operation of the operation panel can be disabled.

Parameter Number	Name	Initial Value	Setting Range	Description	
161	Frequency setting/key lock operation selection	0	0	Setting dial frequency setting mode	Key lock mode invalid
			1	Setting dial volume mode	
			10	Setting dial frequency setting mode	Key lock mode valid
			11	Setting dial volume mode	



(1) Using the setting dial like a volume to set the frequency.



Operation example Changing the frequency from 0Hz to 50Hz during operation

Operation	Display
1. Screen at powering on The monitor display appears.	
2. Press (PU EXT) to choose the PU operation mode.	PU indication is lit.
3. Press (MODE) to choose the parameter setting mode.	
4. Turn (Dial) until P. 16 1 (Pr. 161) appears.	
5. Press (SET) to read the currently set value. "0" (initial value) appears.	
6. Turn (Dial) to change it to the setting value "1".	
7. Press (SET) to set.	
Flicker ... Parameter setting complete!!	
8. Mode/monitor check Press (MODE) twice to choose monitor/frequency monitor.	
9. Press (FWD) (or (REV)) to start the inverter.	
10. Turn (Dial) until "50.00" appears. The flickering frequency is the set frequency. You need not press (SET).	
	The frequency flickers for about 5s.


REMARKS

- If the display changes from flickering "50.00" to "0.00", the setting of Pr. 161 Frequency setting/key lock operation selection may not be "1".
- Independently of whether the inverter is running or at a stop, the frequency can be set by merely turning the dial.
- When the frequency is changed, it will be stored in EEPROM as the set frequency after 10s.

(2) Disable the setting dial and key operation of the operation panel (Press [MODE] long (2s))

- Operation using the setting dial and key of the operation panel can be made invalid to prevent parameter change and unexpected start and stop.
- Set "10 or 11" in *Pr. 161*, then press  for 2s to make the setting dial and key operation invalid.
- When the setting dial and key operation is made invalid, *HOLD* appears on the operation panel. When the setting dial and key operation is invalid, *HOLD* appears if the setting dial or key operation is performed. (When the setting dial or key operation is not performed for 2s, the monitor display appears.)
- To make the setting dial and key operation valid again, press  for 2s.

REMARKS

- Even if the setting dial and key operation are disabled, the monitor display  is valid.

CAUTION

- Release the operation lock to release the PU stop by key operation.

4.27.3 Buzzer control (Pr. 990)

You can make the buzzer "beep" when you press key of the operation panel (FR-DU07) and parameter unit (FR-PU04/FR-PU07).

Parameter Number	Name	Initial Value	Setting Range	Description
990	PU buzzer control	1	0	Without buzzer
			1	With buzzer

The above parameters allow its setting to be changed during operation in any operation mode even if "0" (initial value) is set in *Pr. 77 Parameter write selection*.

4.27.4 PU contrast adjustment (Pr. 991)

Contrast adjustment of the LCD of the parameter unit (FR-PU04/FR-PU07) can be performed. Decreasing the setting value makes contrast light.

Parameter Number	Name	Initial Value	Setting Range	Description
991	PU contrast adjustment	58	0 to 63	0 : Light ↓ 63: Dark

The above parameters are displayed as simple mode parameters only when the parameter unit (FR-PU04/FR-PU07) is connected.



4.28 Parameter clear

POINT

- Set "1" in Pr. CL parameter clear to initialize all parameters. (Parameters are not cleared when "1" is set in Pr. 77 Parameter write selection. In addition, calibration parameters are not cleared.)

Operation		Display
1. Screen at powering on The monitor display appears.		
2. Press to choose the PU operation mode.		PU indication is lit.
3. Press to choose the parameter setting mode.		(The parameter number read previously appears.)
4. Turn until "Pr.CL" appears.		
5. Press to read the currently set value. "0" (initial value) appears.		
6. Turn to change it to the setting value "1".		
7. Press to set.		

Flicker ... Parameter setting complete!!

- Turn to read another parameter.
- Press to show the setting again.
- Press twice to show the next parameter.

Setting	Description
0	Not executed.
1	Returns all parameters except <i>calibration parameters</i> C0 (Pr. 900) to C7 (Pr. 905), C12 (Pr. 917) to C19 (Pr. 920), C38 (Pr. 932) to C41 (Pr. 933) to the initial values.

REMARKS

Refer to the list of parameters on page 438 for availability of parameter clear.

? are displayed alternately ... Why?

The inverter is not in the PU operation mode.

- Press .

is lit and the monitor (4 digit LED) displays "0" (Pr. 79 = "0" (initial value)).

- Carry out operation from step 6 again.

4.29 All parameter clear

POINT

- Set "1" in *ALLC parameter clear* to initialize all parameters. (Parameters are not cleared when "1" is set in *Pr. 77 Parameter write selection*. In addition, calibration parameters are not cleared.)

Operation	Display
1. Screen at powering on The monitor display appears.	
2. Press to choose the PU operation mode.	PU indication is lit.
3. Press to choose the parameter setting mode.	 (The parameter number read previously appears.)
4. Turn until <i>ALLC</i> (all parameter clear) appears.	
5. Press to read the currently set value. "0" (initial value) appears.	
6. Turn to change it to the setting value "1".	
7. Press to set.	 Flicker ... Parameter setting complete!!

- Press to read another parameter.
- Press to show the setting again.
- Press twice to show the next parameter.

Setting	Description
0	Not executed.
1	All parameters return to the initial values.

REMARKS

Refer to the list of parameters on *page 438* for availability of all parameter clear.

? are displayed alternately ... Why?

The inverter is not in the PU operation mode.

- Press .

is lit and the monitor (4 digit LED) displays "0" (*Pr. 79* = "0" (initial value)).

- Carry out operation from step 6 again.

4.30 Parameter copy and parameter verification

PCPY Setting	Description
0	Cancel
1	Copy the source parameters to the operation panel.
2	Write the parameters copied to the operation panel into the destination inverter.
3	Verify parameters in the inverter and operation panel. (Refer to page 382.)

REMARKS

- When the copy destination inverter is not the FR-A700 series or parameter copy write is performed after parameter read is stopped, "model error (rE4)" is displayed.
- Refer to the parameter list on page 438 and later for availability of parameter copy.
- When the power is turned off or an operation panel is disconnected, etc. during parameter copy write, perform write again or check the values by parameter verification.

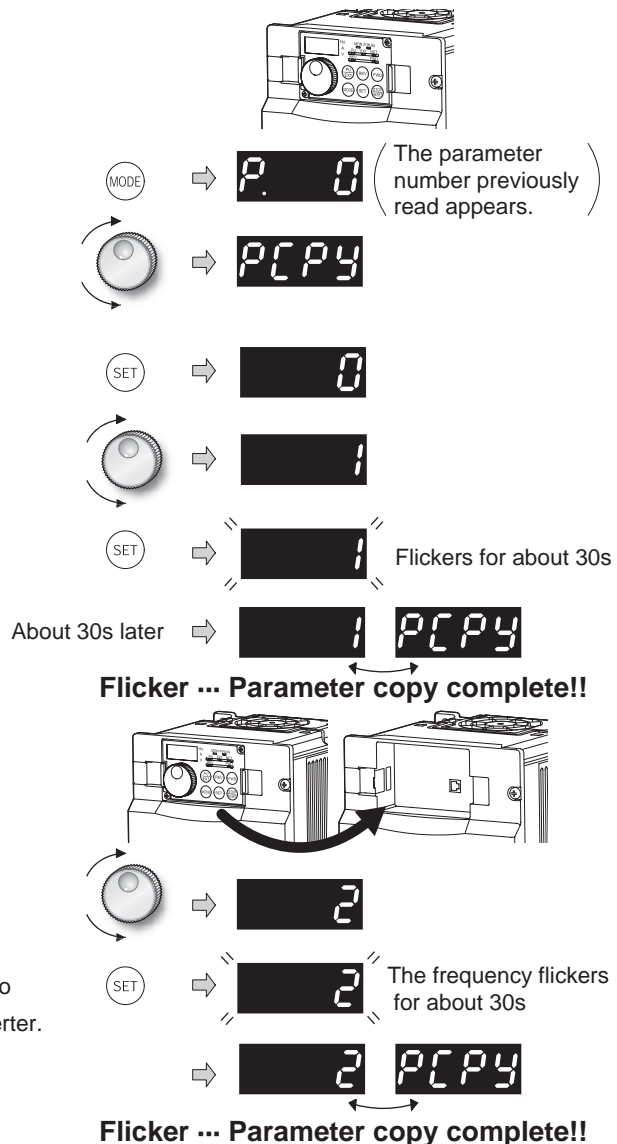
4.30.1 Parameter copy

Multiple inverters and parameter settings can be copied.

Operation

- Connect the operation panel to the copy source inverter.
 - Connect it during a stop.
- Press **MODE** to choose the parameter setting mode.
- Turn **SEL** until **PCPY** (parameter copy) appears.
- Press **SET** to read the currently set value. "0" (initial value) appears.
- Turn **SEL** to change it to the setting value "1".
- Press **SET** to copy the source parameters to the operation panel.
- Connect the operation panel to the copy source inverter.
- After performing steps 2 to 5, turn **SEL** to change it to "2".
- Press **SET** to write the parameters copied to the operation panel to the destination inverter.
- When copy is completed, "2" and "PCPY" flicker.
- After writing the parameter values to the copy destination inverter, always reset the inverter, e.g. switch power off once, before starting operation.

Display



? rE1 appears...Why? ⚠ Parameter read error. Perform operation from step 3 again.

? rE2 appears...Why? ⚠ Parameter write error. Perform operation from step 8 again.

? **CP** and **000** flicker alternately

☞ Appears when parameters are copied between the inverter of 01800 or less and 02160 or more.

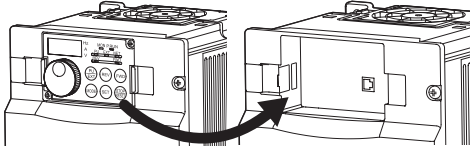









1. Set "0" (initial value) in *Pr. 160 User group read selection*.
2. Set the following setting (initial value) in *Pr. 989 Parameter copy alarm release*.

	01800 or less	02160 or more
<i>Pr. 989 Setting</i>	10	100

3. Reset *Pr. 9, Pr. 30, Pr. 51, Pr. 52, Pr. 54, Pr. 56, Pr. 57, Pr. 61, Pr. 70, Pr. 72, Pr. 80, Pr. 82, Pr. 90 to Pr. 94, Pr. 158, Pr. 455, Pr. 458 to Pr. 462, Pr. 557, Pr. 859, Pr. 860, Pr. 893*.

4.30.2 Parameter verification

Whether same parameter values are set in other inverters or not can be checked.

Operation	Display
<p>1. Replace the operation panel on the inverter to be verified.</p> <ul style="list-style-type: none"> • <u>Replace it during a stop.</u> 	
<p>2. Screen at powering on The monitor display appears.</p>	
<p>3. Press (MODE) to choose the parameter setting mode.</p>	<p>(MODE) →  (The parameter number read previously appears.)</p>
<p>4. Turn (rotary knob) until PCPY (parameter copy) appears.</p>	<p>(rotary knob) → </p>
<p>5. Press (SET) to read the currently set value. "0" (initial value) appears.</p>	<p>(SET) → </p>
<p>6. Turn (rotary knob) to change it to the set value "3" (parameter copy verification mode).</p>	<p>(rotary knob) → </p>
<p>7. Press (SET) to read the parameter setting of the verified inverter to the operation panel.</p>	<p>(SET) →  Flickers for about 30s</p>
<ul style="list-style-type: none"> • If different parameters exist, different parameter numbers and r-E3 flicker. 	<p></p>
<ul style="list-style-type: none"> • Hold down (SET) to verify. 	<p>(SET) →  Flickering</p>
<p>8. If there is no difference, PCPY and 3 flicker to complete verification.</p>	<p></p>

Flicker ... Parameter verification complete!!

REMARKS

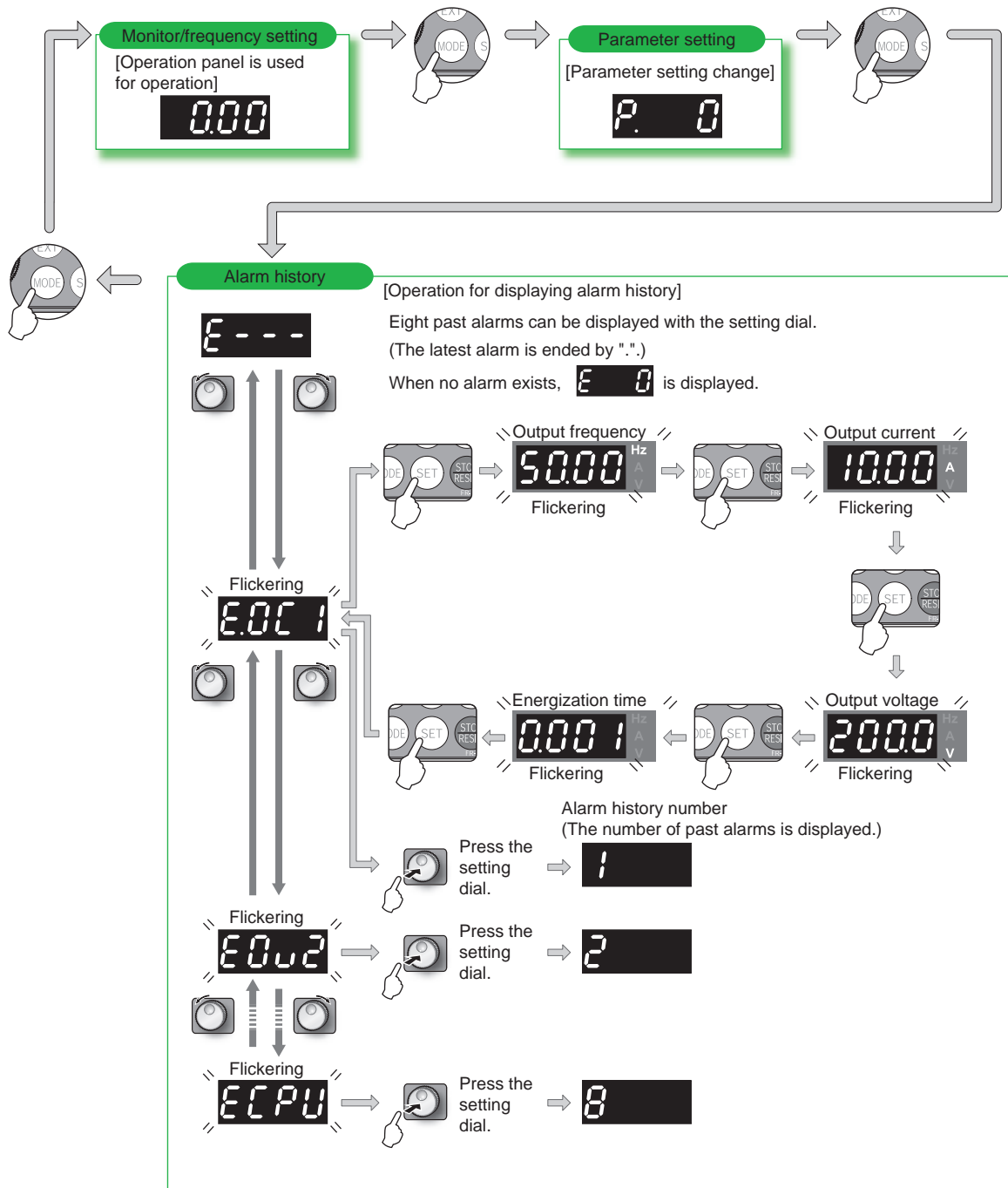
When the copy destination inverter is not the FR-A700 series, "model error (r-E4)" is displayed.

? r-E3 flickers ... Why?

☞ Set frequencies, etc. may be different. Check set frequencies.

4.31 Check and clear of the alarm history

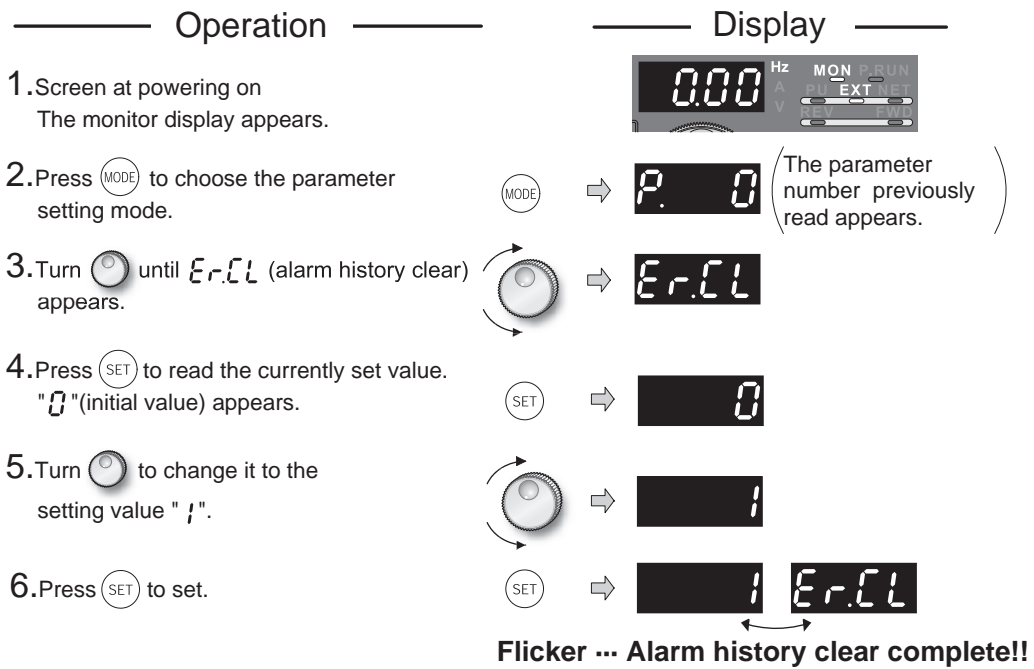
(1) Check for the alarm (major fault) history






(2) Clearing procedure

POINT

· The alarm history can be cleared by setting "1" in *Er.CL Alarm history clear*. (The alarm history is not cleared when "1" is set in *Pr: 77 Parameter write selection*)



Flicker ... Alarm history clear complete!!

- Press  to read another parameter.
- Press  to show the setting again.
- Press  twice to show the next parameter.

5 PROTECTIVE FUNCTIONS

This chapter describes the basic "PROTECTIVE FUNCTION" for use of this product.

Always read the instructions before using the equipment

5.1	Reset method of protective function.....	386
5.2	List of alarm display	387
5.3	Causes and corrective actions	388
5.4	Correspondences between digital and actual characters	400
5.5	Check first when you have troubles	401

1

2

3

4

5

6

7

Reset method of protective function

When an alarm (major failures) occurs in the inverter, the protective function is activated bringing the inverter to an alarm stop and the PU display automatically changes to any of the following error (alarm) indications.

If your fault does not correspond to any of the following errors or if you have any other problem, please contact your sales representative.

- Retention of alarm output signal..... When the magnetic contactor (MC) provided on the input side of the inverter is opened at the activation of the protective function, the inverter's control power will be lost and the alarm output will not be held.
- Alarm display..... When the protective function is activated, the operation panel display automatically switches to the above indication.
- Resetting method When the protective function is activated, the inverter output is kept stopped. Unless reset, therefore, the inverter cannot restart. (Refer to page 386.)
- When the protective function is activated, take the corresponding corrective action, then reset the inverter, and resume operation.
Not doing so may lead to the inverter fault and damage.


Inverter alarm displays are roughly divided as below.

- (1) Error Message
A message regarding operational fault and setting fault by the operation panel (FR-DU07) and parameter unit (FR-PU04 /FR-PU07) is displayed.
The inverter does not shut off output.
- (2) Warnings
The inverter does not shut off output even when a warning is displayed. However, failure to take appropriate measures will lead to a major fault.
- (3) Minor fault
The inverter does not shut off output. You can also output a minor fault signal by making parameter setting.
- (4) Major fault
When the protective function is activated, the inverter output is shut off and an alarm is output.

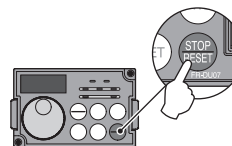
5.1 Reset method of protective function

(1) Resetting the inverter

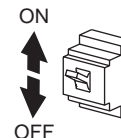
The inverter can be reset by performing any of the following operations. Note that the internal thermal integrated value of the electronic thermal relay function and the number of retries are cleared (erased) by resetting the inverter. Recover about 1s after reset is cancelled.

Operation 1: Using the operation panel, press  to reset the inverter.

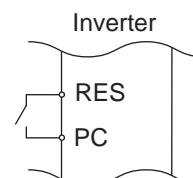
(Enabled only when the inverter protective function is activated (major fault) (Refer to page 392 for major fault.))



Operation 2:..... Switch power off once, then switch it on again.



Operation 3: Turn on the reset signal (RES) for more than 0.1s. (If the RES signal is kept on, "Err." appears (flickers) to indicate that the inverter is in a reset status.)



REMARKS

For the O2160 or more, you can set Pr: 75 to disable reset operation until the thermal cumulative amount reaches 0 when a thermal trip (THM, THT) or an overcurrent trip (OC1 to OC3) occurs consecutively twice. (Refer to page 289.)



5.2 List of alarm display

Operation Panel Indication		Name	Refer to	
Error message	E ---	E ---	Alarm history	383
	HOLD	HOLD	Operation panel lock	388
	Er1 to Er4	Er1 to 4	Parameter write error	388
	rE1 to rE4	rE1 to 4	Copy operation error	389
	Err.	Err.	Error	389
Warnings	OL	OL	Stall prevention (overcurrent)	390
	oL	oL	Stall prevention (overvoltage)	390
	rb	RB	Regenerative brake prealarm	391
	TH	TH	Electronic thermal relay function prealarm	391
	PS	PS	PU stop	390
	MT	MT	Maintenance signal output	391
	CP	CP	Parameter copy	391
	SL	SL	Speed limit indication (Output during speed limit)	391
Minor fault	F _n	FN	Fan fault	391
Major fault	E.OC1	E.OC1	Overcurrent shut-off during acceleration	392
	E.OC2	E.OC2	Overcurrent shut-off during constant speed	392
	E.OC3	E.OC3	Overcurrent shut-off during deceleration or stop	392
	E.OV1	E.OV1	Regenerative overvoltage shut-off during acceleration	392
	E.OV2	E.OV2	Regenerative overvoltage shut-off during constant speed	393
	E.OV3	E.OV3	Regenerative overvoltage shut-off during deceleration or stop	393
	E.THT	E.THT	Inverter overload shut-off (electronic thermal relay function)	393
	E.THM	E.THM	Motor overload shut-off (electronic thermal relay function)	393
	E.FIN	E.FIN	Fin overheat	393
	E.IPF	E.IPF	Instantaneous power failure	394
	E.BE	E.BE	Brake transistor alarm detection	394
	E.UVT	E.UVT	Undervoltage	394
	E.ILF*	E.ILF*	Input phase failure	394
	E.OLT	E.OLT	Stall prevention	394

Operation Panel Indication		Name	Refer to
E.GF	E.GF	Output side earth (ground) fault overcurrent	395
E.LF	E.LF	Output phase failure	395
E.OHT	E.OHT	External thermal relay operation ²	395
E.PTC	E.PTC*	PTC thermistor operation	395
E.OPT	E.OPT	Option alarm	395
E.OP3	E.OP3	Communication option alarm	395
E. 1 to E. 3	E. 1 to E. 3	Option alarm	396
E.PE	E.PE	Parameter storage device alarm	396
E.PUE	E.PUE	PU disconnection	396
E.RET	E.RET	Retry count excess	396
E.PE2	E.PE2*	Parameter storage device alarm	396
E. 6 / E. 7 / E.CPU	E. 6 / E. 7 / E.CPU	CPU error	397
E.CTE	E.CTE	Operation panel power supply short circuit, RS-485 terminal power supply short circuit	397
E.P24	E.P24	24VDC power output short circuit	398
E.CDO	E.CDO*	Output current detection value exceeded	398
E.IOH	E.IOH*	Inrush current limit circuit alarm	399
E.SER	E.SER*	Communication error (inverter)	399
E.AIE	E.AIE*	Analog input error	399
E.OS	E.OS	Overspeed occurrence	397
E.OSD	E.OSD	Speed deviation excess detection	397
E.ECT	E.ECT	Signal loss detection	398
E.OD	E.OD	Excessive position error	398
E.MB1 to E.MB7	E.MB1 to E.MB7	Brake sequence error	397
E.EP	E.EP	Encoder phase error	398
E.USB	E.USB*	USB communication error	399
E.11	E.11	Opposite rotation deceleration error	399
E.13	E.13	Internal circuit error	399



* If an error occurs when using the FR-PU04, "Fault 14" is displayed on the FR-PU04.



5.3 Causes and corrective actions

(1) Error Message

A message regarding operational troubles is displayed. Output is not shut off.

Operation Panel Indication	HOLD	HOLD
Name	Operation panel lock	
Description	Operation lock mode is set. Operation other than  is made invalid. (Refer to page 377.)	
Check point	—	
Corrective action	Press  for 2s to release lock.	

Operation Panel Indication	Er1	Er1
Name	Write disable error	
Description	<ol style="list-style-type: none"> 1. You attempted to make parameter setting when Pr. 77 Parameter write selection has been set to disable parameter write. 2. Frequency jump setting range overlapped. 3. Adjustable 5 points V/F settings overlapped 4. The PU and inverter cannot make normal communication 	
Check point	<ol style="list-style-type: none"> 1. Check the setting of Pr. 77 Parameter write selection (Refer to page 292.) 2. Check the settings of Pr. 31 to 36 (frequency jump). (Refer to page 150.) 3. Check the settings of Pr. 100 to Pr. 109 (adjustable 5 points V/F). (Refer to page 157.) 4. Check the connection of the PU and inverter. 	

Operation Panel Indication	Er2	Er2
Name	Write error during operation	
Description	When parameter write was performed during operation with a value other than "2" (writing is enabled independently of operation status in any operation mode) is set in Pr. 77 and the STF (STR) is on.	
Check point	<ol style="list-style-type: none"> 1. Check the Pr. 77 setting. (Refer to page 292.) 2. Check that the inverter is not operating. 	
Corrective action	<ol style="list-style-type: none"> 1. Set "2" in Pr. 77. 2. After stopping operation, make parameter setting. 	


Operation Panel Indication	Er3	Er3
Name	Calibration error	
Description	Analog input bias and gain calibration values are too close.	
Check point	Check the settings of C3, C4, C6 and C7 (calibration functions). (Refer to page 277.)	

Operation Panel Indication	Er4	Er4
Name	Mode designation error	
Description	You attempted to make parameter setting in the NET operation mode when Pr. 77 is not "2".	
Check point	<ol style="list-style-type: none"> 1. Check that operation mode is "PU operation mode". 2. Check the Pr. 77 setting. (Refer to page 292.) 	
Corrective action	<ol style="list-style-type: none"> 1. After setting the operation mode to the "PU operation mode", make parameter setting. (Refer to page 292.) 2. After setting "2" in Pr. 77, make parameter setting. 	



Operation Panel Indication	rE1	rE1
Name	Parameter read error	
Description	An error occurred in the EEPROM on the operation panel side during parameter copy reading.	
Check point	—	
Corrective action	<ul style="list-style-type: none"> · Make parameter copy again. (Refer to page 380.) · Check for an operation panel (FR-DU07) failure. Please contact your sales representative. 	

Operation Panel Indication	rE2	rE2
Name	Parameter write error	
Description	<ol style="list-style-type: none"> 1. You attempted to perform parameter copy write during operation. 2. An error occurred in the EEPROM on the operation panel side during parameter copy writing. 	
Check point	Is the FWD or REV LED of the operation panel (FR-DU07) lit or flickering?	
Corrective action	<ol style="list-style-type: none"> 1. After stopping operation, make parameter copy again. (Refer to page 380.) 2. Check for an operation panel (FR-DU07) failure. Please contact your sales representative. 	

Operation Panel Indication	rE3	rE3
Name	Parameter verification error	
Description	<ol style="list-style-type: none"> 1. Data on the operation panel side and inverter side are different. 2. An error occurred in the EEPROM on the operation panel side during parameter verification. 	
Check point	Check for the parameter setting of the source inverter and inverter to be verified.	
Corrective action	<ol style="list-style-type: none"> 1. Press  to continue verification. Make parameter verification again. (Refer to page 382.) 2. Check for an operation panel (FR-DU07) failure. Please contact your sales representative. 	

Operation Panel Indication	rE4	rE4
Name	Model error	
Description	<ol style="list-style-type: none"> 1. A different model was used for parameter write and verification during parameter copy. 2. When parameter copy write is stopped after parameter copy read is stopped 	
Check point	<ol style="list-style-type: none"> 1. Check that the verified inverter is the same model. 2. Check that the power is not turned off or an operation panel is not disconnected, etc. during parameter copy read. 	
Corrective action	<ol style="list-style-type: none"> 1. Use the same model (FR-A700 series) for parameter copy and verification. 2. Perform parameter copy read again. 	

Operation Panel Indication	Err.	Err.
Description	<ol style="list-style-type: none"> 1. The RES signal is on 2. The PU and inverter cannot make normal communication (contact fault of the connector) 3. When the control circuit power (R/L11, S1/L21) and the main circuit power (R/L1, S/L2, T/L3) are connected to a separate power, it may appear at turning on of the main circuit. It is not a fault. 	
Corrective action	<ol style="list-style-type: none"> 1. Turn off the RES signal. 2. Check the connection of the PU and inverter. 	



(2) Warnings

When the protective function is activated, the output is not shut off.

Operation Panel Indication	OL		FR-PU04 FR-PU07	OL
Name	Stall prevention (overcurrent)			
Description	During acceleration	When the output current (output torque during real sensorless vector control or vector control) of the inverter exceeds the stall prevention operation level (<i>Pr. 22 Stall prevention operation level</i> , etc.), this function stops the increase in frequency until the overload current decreases to prevent the inverter from resulting in overcurrent shut-off. When the overload current has decreased below stall prevention operation level, this function increases the frequency again.		
	During constant-speed operation	When the output current (output torque during real sensorless vector control or vector control) of the inverter exceeds the stall prevention operation level (<i>Pr. 22 Stall prevention operation level</i> , etc.), this function reduces frequency until the overload current decreases to prevent the inverter from resulting in overcurrent shut-off. When the overload current has decreased below stall prevention operation level, this function increases the frequency up to the set value.		
	During deceleration	When the output current (output torque during real sensorless vector control or vector control) of the inverter exceeds the stall prevention operation level (<i>Pr. 22 Stall prevention operation level</i> , etc.), this function stops the decrease in frequency until the overload current decreases to prevent the inverter from resulting in overcurrent shut-off. When the overload current has decreased below stall prevention operation level, this function decreases the frequency again.		
Check point	1. Check that the <i>Pr. 0 Torque boost</i> setting is not too large. 2. Check that the <i>Pr. 7 Acceleration time</i> and <i>Pr. 8 Deceleration time</i> settings are not too small. 3. Check that the load is not too heavy. 4. Are there any failure in peripheral devices? 5. Check that the <i>Pr. 13 Starting frequency</i> is not too large. · Check the motor for use under overload.			
Corrective action	1. Increase or decrease the <i>Pr. 0 Torque boost</i> value 1% by 1% and check the motor status. (<i>Refer to page 136.</i>) 2. Set a larger value in <i>Pr. 7 Acceleration time</i> and <i>Pr. 8 Deceleration time</i> . (<i>Refer to page 165.</i>) 3. Reduce the load weight. 4. Try advanced magnetic flux vector control, real sensorless vector control or vector control. 5. Change the <i>Pr. 14 Load pattern selection</i> setting. 6. Set stall prevention operation current in <i>Pr. 22 Stall prevention operation level</i> . (The initial value is 150%.) The acceleration/deceleration time may change. Increase the stall prevention operation level with <i>Pr. 22 Stall prevention operation level</i> , or disable stall prevention with <i>Pr. 156 Stall prevention operation selection</i> . (Use <i>Pr. 156</i> to set either operation continued or not at OL operation.)			

Operation Panel Indication	oL		FR-PU04 FR-PU07	oL
Name	Stall prevention (overvoltage)			
Description	During deceleration	<ul style="list-style-type: none"> · If the regenerative energy of the motor becomes excessive and exceeds the regenerative energy consumption capability, this function stops the decrease in frequency to prevent overvoltage shut-off. As soon as the regenerative energy has decreased, deceleration resumes. · If the regenerative energy of the motor becomes excessive when regeneration avoidance function is selected (<i>Pr. 882 = 1</i>), this function increases the speed to prevent overvoltage shut-off. (<i>Refer to page 366.</i>) 		
Check point	<ul style="list-style-type: none"> · Check for sudden speed reduction. · Regeneration avoidance function (<i>Pr. 882 to Pr. 886</i>) is being used? (<i>Refer to page 366.</i>) 			
Corrective action	The deceleration time may change. Increase the deceleration time using <i>Pr. 8 Deceleration time</i> .			

Operation Panel Indication	PS		FR-PU04 FR-PU07	PS
Name	PU stop			
Description	Stop with of the PU is set in <i>Pr. 75 Reset selection/disconnected PU detection/PU stop selection</i> . (For <i>Pr. 75</i> , refer to <i>page 289.</i>)			
Check point	Check for a stop made by pressing of the operation panel.			
Corrective action	Turn the start signal off and release with .			

Operation Panel Indication	RB	<i>rb</i>	FR-PU04 FR-PU07	RB
Name	Regenerative brake prealarm			
Description	Appears if the regenerative brake duty reaches or exceeds 85% of the <i>Pr. 70 Special regenerative brake duty</i> value. If the regenerative brake duty reaches 100%, a regenerative overvoltage (E. OV_) occurs. The RBP signal can be simultaneously output with the [RB] display. For the terminal used for the RBP signal output, assign the function by setting "7" (positive logic) or "107" (negative logic) in any of <i>Pr. 190 to Pr. 196 (output terminal function selection)</i> . (Refer to page 226)			
Check point	<ul style="list-style-type: none"> • Check that the brake resistor duty is not high. • Check that the <i>Pr. 30 Regenerative function selection</i> and <i>Pr. 70 Special regenerative brake duty</i> values are correct. 			
Corrective action	<ul style="list-style-type: none"> • Increase the deceleration time. • Check the <i>Pr. 30 Regenerative function selection</i> and <i>Pr. 70 Special regenerative brake duty</i> values. 			

Operation Panel Indication	TH	<i>TH</i>	FR-PU04 FR-PU07	TH
Name	Electronic thermal relay function prealarm			
Description	Appears if the cumulative value of the <i>Pr. 9 Electronic thermal O/L relay</i> reaches or exceeds 85% of the preset level. If it reaches 100% of the <i>Pr. 9 Electronic thermal O/L relay</i> setting, a motor overload shut-off (E. THM) occurs. The THP signal can be simultaneously output with the [TH] display. For the terminal used for the THP signal output, assign the function by setting "8" (positive logic) or "108" (negative logic) in any of <i>Pr. 190 to Pr. 196 (output terminal function selection)</i> . (Refer to page 226)			
Check point	<ol style="list-style-type: none"> 1. Check for large load or sudden acceleration. 2. Is the <i>Pr. 9 Electronic thermal O/L relay</i> setting is appropriate? (Refer to page 173.) 			
Corrective action	<ol style="list-style-type: none"> 1. Reduce the load weight or the number of operation times. 2. Set an appropriate value in <i>Pr. 9 Electronic thermal O/L relay</i>. (Refer to page 173.) 			

Operation Panel Indication	MT	<i>MT</i>	FR-PU04 FR-PU07	MT
Name	Maintenance signal output			
Description	Indicates that the cumulative energization time of the inverter has reached a given time.			
Check point	The <i>Pr. 503 Maintenance timer</i> setting is larger than the <i>Pr. 504 Maintenance timer alarm output set time</i> setting. (Refer to page 371.)			
Corrective action	Setting "0" in <i>Pr. 503 Maintenance timer</i> erases the signal.			

Operation Panel Indication	CP	<i>CP</i>	FR-PU04 FR-PU07	CP
Name	Parameter copy			
Description	Appears when parameters are copied between models with capacities of 01800 or less and 02160 or more.			
Check point	Resetting of <i>Pr. 9, Pr. 30, Pr. 51, Pr. 52, Pr. 54, Pr. 56, Pr. 57, Pr. 61, Pr. 70, Pr. 72, Pr. 80, Pr. 82, Pr. 90 to Pr. 94, Pr. 158, Pr. 455, Pr. 458 to Pr. 462, Pr. 557, Pr. 859, Pr. 860 and Pr. 893</i> is necessary.			
Corrective action	Set the initial value in <i>Pr. 989 Parameter copy alarm release</i> .			

Operation Panel Indication	SL	<i>SL</i>	FR-PU04 FR-PU07	SL
Name	Speed limit indication (output during speed limit)			
Description	Output if the speed limit level is exceeded during torque control.			
Check point	<ul style="list-style-type: none"> • Check that the torque command is not larger than required. • Check that the speed limit level is not low. 			
Corrective action	<ul style="list-style-type: none"> • Decrease the torque command. • Increase the speed limit level. 			

(3) Minor fault

When the protective function is activated, the output is not shut off. You can also output a minor fault signal by making parameter setting. (Set "98" in any of *Pr. 190 to Pr. 196 (output terminal function selection)*. (Refer to page 226.)

Operation Panel Indication	FN	<i>Fn</i>	FR-PU04 FR-PU07	FN
Name	Fan fault			
Description	For the inverter that contains a cooling fan, <i>Fn</i> appears on the operation panel when the cooling fan stops due to a fault or different operation from the setting of <i>Pr. 244 Cooling fan operation selection</i> .			
Check point	Check the cooling fan for a fault.			
Corrective action	Check for fan fault. Please contact your sales representative.			



(4) Major fault

When the protective function is activated, the inverter output is shut off and an alarm is output.

Operation Panel Indication	E.OC1	E.OC 1	FR-PU04 FR-PU07	OC During Accs
Name	Overcurrent shut-off during acceleration			
Description	When the inverter output current reaches or exceeds approximately 220% of the rated current during acceleration, the protective circuit is activated to stop the inverter output.			
Check point	<ol style="list-style-type: none"> 1. Check for sudden acceleration. 2. Check that the downward acceleration time is not long in vertical lift application. 3. Check for output short circuit. 4. Check that stall prevention operation is correct. 5. Check that the regeneration is not performed frequently. (Check that the output voltage becomes larger than the V/F reference voltage at regeneration and overcurrent due to increase in motor current occurs.) 6. Check that the power supply for RS-485 terminal is not shorted. (under vector control) 			
Corrective action	<ol style="list-style-type: none"> 1. Increase the acceleration time. (Shorten the downward acceleration time in vertical lift application.) 2. When "E.OC1" is always lit at starting, disconnect the motor once and start the inverter. If "E.OC1" is still lit, contact your sales representative. 3. Check the wiring to make sure that output short circuit does not occur. 4. Perform a correct stall prevention operation. (Refer to page 142.) 5. Set base voltage (rated voltage of the motor, etc.) in Pr. 19 Base frequency voltage. (Refer to page 151.) 6. Check RS-485 terminal connection. (under vector control) 			

Operation Panel Indication	E.OC2	E.OC 2	FR-PU04 FR-PU07	Stedy Spd OC
Name	Overcurrent shut-off during constant speed			
Description	When the inverter output current reaches or exceeds approximately 220% of the rated current during constant speed operation, the protective circuit is activated to stop the inverter output.			
Check point	<ol style="list-style-type: none"> 1. Check for sudden load change. 2. Check for output short circuit. 3. Check that stall prevention operation is correct 4. Check that the power supply for RS-485 terminal is not shorted. (under vector control) 			
Corrective action	<ol style="list-style-type: none"> 1. Keep load stable. 2. Check the wiring to make sure that output short circuit does not occur. 3. Check that stall prevention operation setting is correct. (Refer to page 142.) 4. Check RS-485 terminal connection. (under vector control) 			

Operation Panel Indication	E.OC3	E.OC 3	FR-PU04 FR-PU07	OC During Dec
Name	Overcurrent shut-off during deceleration or stop			
Description	When the inverter output current reaches or exceeds approximately 220% of the rated inverter current during deceleration (other than acceleration or constant speed), the protective circuit is activated to stop the inverter output.			
Check point	<ol style="list-style-type: none"> 1. Check for sudden speed reduction. 2. Check for output short circuit. 3. Check for too fast operation of the motor's mechanical brake. 4. Check that stall prevention operation setting is correct. 5. Check that the power supply for RS-485 terminal is not shorted. (under vector control) 			
Corrective action	<ol style="list-style-type: none"> 1. Increase the deceleration time. 2. Check the wiring to make sure that output short circuit does not occur. 3. Check the mechanical brake operation. 4. Check that stall prevention operation setting is correct. (Refer to page 142.) 5. Check RS-485 terminal connection. (under vector control) 			

Operation Panel Indication	E.OV1	E.OV 1	FR-PU04 FR-PU07	OV During Acc
Name	Regenerative overvoltage shut-off during acceleration			
Description	If regenerative energy causes the inverter's internal main circuit DC voltage to reach or exceed the specified value, the protective circuit is activated to stop the inverter output. The circuit may also be activated by a surge voltage produced in the power supply system.			
Check point	Check for too slow acceleration. (e.g. during descending acceleration in vertical lift load)			
Corrective action	<ul style="list-style-type: none"> · Decrease the acceleration time. · Use regeneration avoidance function (Pr. 882 to Pr. 886). (Refer to page 366.) 			



Operation Panel Indication	E.OV2	E.Ov2	FR-PU04 FR-PU07	Stedy Spd OV
Name	Regenerative overvoltage shut-off during constant speed			
Description	If regenerative energy causes the inverter's internal main circuit DC voltage to reach or exceed the specified value, the protective circuit is activated to stop the inverter output. The circuit may also be activated by a surge voltage produced in the power supply system.			
Check point	Check for sudden load change.			
Corrective action	<ul style="list-style-type: none"> · Keep load stable. · Use regeneration avoidance function (Pr. 882 to Pr. 886). (Refer to page 366.) · Use the brake unit or power regeneration common converter (FR-CV) as required. 			

Operation Panel Indication	E.OV3	E.Ov3	FR-PU04 FR-PU07	OV During Dec
Name	Regenerative overvoltage shut-off during deceleration or stop			
Description	If regenerative energy causes the inverter's internal main circuit DC voltage to reach or exceed the specified value, the protective circuit is activated to stop the inverter output. The circuit may also be activated by a surge voltage produced in the power supply system.			
Check point	Check for sudden speed reduction.			
Corrective action	<ul style="list-style-type: none"> · Increase the deceleration time. (Set the deceleration time which matches the inertia of moment of the load) · Decrease the braking duty. · Use regeneration avoidance function (Pr. 882 to Pr. 886). (Refer to page 366.) · Use the brake unit or power regeneration common converter (FR-CV) as required. 			

Operation Panel Indication	E.THT	E.THT	FR-PU04 FR-PU07	Inv. Overload
Name	Inverter overload shut-off (electronic thermal relay function) *2			
Description	If a current not less than 150% of the rated output current flows and overcurrent shut-off does not occur (220% or less), inverse-time characteristics cause the electronic thermal relay to be activated to stop the inverter output in order to protect the output transistors. (overload immunity 150%*1 60s)			
Check point	Check the motor for use under overload.			
Corrective action	Reduce the load weight.			

*1 When ND is selected. (Refer to page 420.)

Operation Panel Indication	E.THM	E.THT	FR-PU04 FR-PU07	Motor Overload
Name	Motor overload shut-off (electronic thermal relay function) *2			
Description	The electronic thermal relay function in the inverter detects motor overheat due to overload or reduced cooling capability during constant-speed operation and pre-alarm (TH display) is output when the temperature reaches 85% of the Pr. 9 Electronic thermal O/L relay setting and the protection circuit is activated to stop the inverter output when the temperature reaches the specified value. When running a special motor such as a multi-pole motor or multiple motors, provide a thermal relay on the inverter output side since such motor(s) cannot be protected by the electronic thermal relay function.			
Check point	<ol style="list-style-type: none"> 1. Check the motor for use under overload. 2. Check that the setting of Pr. 71 Applied motor for motor selection is correct. (Refer to page 176.) 3. Check that stall prevention operation setting is correct. 			
Corrective action	<ol style="list-style-type: none"> 1. Reduce the load weight. 2. For a constant-torque motor, set the constant-torque motor in Pr. 71 Applied motor. 3. Check that stall prevention operation setting is correct. (Refer to page 142.) 			

*2 Resetting the inverter initializes the internal thermal integrated data of the electronic thermal relay function.

Operation Panel Indication	E.FIN	E.FIn	FR-PU04 FR-PU07	H/Sink O/Temp
Name	Fin overheat			
Description	If the heatsink overheats, the temperature sensor is actuated to stop the inverter output. The FIN signal can be output when the temperature becomes approximately 85% of the heatsink overheat protection operation temperature. For the terminal used for the FIN signal output, assign the function by setting "26" (positive logic) or "126" (negative logic) in any of Pr. 190 to Pr. 196 (output terminal function selection). (Refer to page 226)			
Check point	<ol style="list-style-type: none"> 1. Check for too high ambient temperature. 2. Check for heatsink clogging. 3. Check that the cooling fan is stopped. (Check that FIn is displayed on the operation panel.) 			
Corrective action	<ol style="list-style-type: none"> 1. Set the ambient temperature to within the specifications. 2. Clean the heatsink. 3. Replace the cooling fan. 			



Operation Panel Indication	E.IPF	E I P F	FR-PU04 FR-PU07	Inst. Pwr. Loss
Name	Instantaneous power failure			
Description	If a power failure occurs for longer than 15ms (this also applies to inverter input shut-off), the instantaneous power failure protective function is activated to stop the inverter output in order to prevent the control circuit from malfunctioning. If a power failure persists for longer than 100ms, the alarm warning output is not provided, and the inverter restarts if the start signal is on upon power restoration. (The inverter continues operating if an instantaneous power failure is within 15ms.) In some operating status (load magnitude, acceleration/deceleration time setting, etc.), overcurrent or other protection may be activated upon power restoration. When instantaneous power failure protection is activated, the IPF signal is output. (Refer to page 250)			
Check point	Find the cause of instantaneous power failure occurrence.			
Corrective action	<ul style="list-style-type: none"> · Remedy the instantaneous power failure. · Prepare a backup power supply for instantaneous power failure. · Set the function of automatic restart after instantaneous power failure (Pr. 57). (Refer to page 250.) 			

Operation Panel Indication	E.BE	E. bE	FR-PU04 FR-PU07	Br. Cct. Fault
Name	Brake transistor alarm detection			
Description	This function stops the inverter output if an alarm occurs in the brake circuit, e.g. damaged brake transistors. In this case, the inverter must be powered off immediately.			
Check point	<ul style="list-style-type: none"> · Reduce the load inertia. · Check that the frequency of using the brake is proper. 			
Corrective action	Replace the inverter.			

Operation Panel Indication	E.UVT	E.UVf	FR-PU04 FR-PU07	Under Voltage
Name	Undervoltage			
Description	If the power supply voltage of the inverter reduces, the control circuit will not perform normal functions. In addition, the motor torque will be insufficient and/or heat generation will increase. To prevent this, if the power supply voltage reduces below about 300VAC, this function stops the inverter output. When a jumper is not connected across P/+P1, the undervoltage protective function is activated. When undervoltage protection is activated, the IPF signal is output. (Refer to page 250.)			
Check point	<ol style="list-style-type: none"> 1. Check for start of large-capacity motor. 2. Check that a jumper or DC reactor is connected across terminals P/+P1. 			
Corrective action	<ol style="list-style-type: none"> 1. Check the power supply system equipment such as the power supply. 2. Connect a jumper or DC reactor across terminals P/+P1. If the problem still persists after taking the above measure, please contact your sales representative.			

Operation Panel Indication	E.ILF	E I L F	FR-PU04 FR-PU07	Fault 14 Input phase loss
Name	Input phase failure			
Description	This alarm is output when function valid setting (= 1) is set in Pr. 872 Input phase failure protection selection and one phase of the three phase power input opens. (Refer to page 260.)			
Check point	Check for a break in the cable for the three-phase power supply input.			
Corrective action	<ul style="list-style-type: none"> · Wire the cables properly. · Repair a brake portion in the cable. · Check the Pr. 872 Input phase failure protection selection setting. 			

Operation Panel Indication	E.OLT	E.O L T	FR-PU04 FR-PU07	Stil Prev STP (OL shown during stall prevention operation)
Name	Stall prevention			
Description	If the frequency has fallen to 0.5Hz by stall prevention operation and remains for 3s, an alarm (E.OLT) appears to shutoff the inverter output. OL appears while stall prevention is being activated. When speed control is performed by real sensorless vector control or vector control, an alarm (E.OLT) is displayed and the inverter output is stopped if frequency drops to the Pr. 865 Low speed detection (initial value is 1.5Hz) setting by torque limit operation and the output torque exceeds Pr. 874 OLT level setting (initial value is 150%) setting and remains for more than 3s.			
Check point	<ul style="list-style-type: none"> · Check the motor for use under overload. (Refer to page 143.) · Check that the Pr. 865 Low speed detection and Pr. 874 OLT level setting values are correct. (Check the Pr. 22 Stall prevention operation level setting if V/F control is exercised.) 			
Corrective action	<ul style="list-style-type: none"> · Reduce the load weight. · Change the Pr. 22 Stall prevention operation level, Pr. 865 Low speed detection and Pr. 874 OLT level setting values. (Check the Pr. 22 Stall prevention operation level setting if V/F control is exercised.) 			



Operation Panel Indication	E.GF	E. GF	FR-PU04 FR-PU07	Ground Fault
Name	Output side earth (ground) fault overcurrent			
Description	This function stops the inverter output if an earth (ground) fault overcurrent flows due to an earth (ground) fault that occurred on the inverter's output (load) side.			
Check point	Check for an earth (ground) fault in the motor and connection cable.			
Corrective action	Remedy the earth (ground) fault portion.			

Operation Panel Indication	E.LF	E. LF	FR-PU04 FR-PU07	—
Name	Output phase failure			
Description	This function stops the inverter output if one of the three phases (U, V, W) on the inverter's output side (load side) opens.			
Check point	<ul style="list-style-type: none"> Check the wiring (Check that the motor is normal.) Check that the capacity of the motor used is not smaller than that of the inverter. 			
Corrective action	<ul style="list-style-type: none"> Wire the cables properly. Check the <i>Pr. 251 Output phase failure protection selection</i> setting. 			

Operation Panel Indication	E.OHT	E.OHT	FR-PU04 FR-PU07	OH Fault
Name	External thermal relay operation *3			
Description	If the external thermal relay provided for motor overheat protection, or the internally mounted temperature relay in the motor, etc. switches on (contacts open), the inverter output is stopped.			
Check point	<ul style="list-style-type: none"> Check for motor overheating. Check that the value of 7 (OH signal) is set correctly in any of <i>Pr. 178 to Pr. 189 (input terminal function selection)</i>. 			
Corrective action	<ul style="list-style-type: none"> Reduce the load and operating duty. Even if the relay contacts are reset automatically, the inverter will not restart unless it is reset. 			

*3 Functions only when any of *Pr. 178 to Pr. 189 (input terminal function selection)* is set to OH.

Operation Panel Indication	E.PTC	E.PTC	FR-PU04 FR-PU07	Fault 14 PTC activated
Name	PTC thermistor operation			
Description	Appears when the motor overheat status is detected for 10s or more by the external PTC thermistor input connected to the terminal AU.			
Check point	<ul style="list-style-type: none"> Check the connection between the PTC thermistor switch and thermal protector. Check the motor for operation under overload. Is valid setting (= 63) selected in <i>Pr. 184 AU terminal function selection ? (Refer to page 175, 219.)</i> 			
Corrective action	Reduce the load weight.			

Operation Panel Indication	E.OPT	E.OPT	FR-PU04 FR-PU07	Option Fault
Name	Option alarm			
Description	<p>Appears when the AC power supply is connected to the terminal R/L1, S/L2, T/L3 accidentally when a high power factor converter is connected.</p> <p>Appears when torque command by the plug-in option is selected using <i>Pr. 804 Torque command source selection</i> and no plug-in option is mounted.</p> <p>Appears when the switch for the manufacturer setting of the plug-in option is changed.</p>			
Check point	<ul style="list-style-type: none"> Check that the AC power supply is not connected to the terminal R/L1, S/L2, T/L3 when a high power factor converter (FR-HC, MT-HC) or power regeneration common converter (FR-CV) is connected. Check that the plug-in option for torque command setting is connected. 			
Corrective action	<ul style="list-style-type: none"> Check the parameter (<i>Pr. 30</i>) setting and wiring. The inverter may be damaged if the AC power supply is connected to the terminal R/L1, S/L2, T/L3 when a high power factor converter is connected. Please contact your sales representative. Check for connection of the plug-in option. Check the <i>Pr. 804 Torque command source selection</i> setting. Return the switch for the manufacturer setting of the plug-in option to the initial status. (<i>Refer to instruction manual of each option</i>) 			

Operation Panel Indication	E.OP3	E.OP3	FR-PU04 FR-PU07	Option slot alarm 3
Name	Communication option alarm			
Description	Stops the inverter output when a communication line error occurs in the communication option.			
Check point	<ul style="list-style-type: none"> Check for a wrong option function setting and operation. Check that the plug-in option is plugged into the connector securely. Check for a brake in the communication cable. Check that the terminating resistor is fitted properly. 			
Corrective action	<ul style="list-style-type: none"> Check the option function setting, etc. Connect the plug-in option securely. Check the connection of communication cable. 			



Operation Panel Indication	E. 1 to E. 3	E. 1 to E. 3	FR-PU04 FR-PU07	Fault 1 to Fault 3
Name	Option alarm			
Description	Stops the inverter output if a contact fault, etc. of the connector between the inverter and communication option occurs or if a communication option is fitted to the connector 1 or 2. Appears when the switch for the manufacturer setting of the plug-in option is changed.			
Check point	<ol style="list-style-type: none"> 1. Check that the plug-in option is plugged into the connector securely. (1 to 3 indicate the option connector numbers.) 2. Check for excess electrical noises around the inverter. 3. Check that the communication option is not fitted to the connector 1 or 2. 			
Corrective action	<ol style="list-style-type: none"> 1. Connect the plug-in option securely. 2. Take measures against noises if there are devices producing excess electrical noises around the inverter. If the problem still persists after taking the above measure, please contact your sales representative or distributor. 3. Fit the communication option to the connector 3. 4. Return the switch for the manufacturer setting of the plug-in option to the initial status. (Refer to instruction manual of each option) 			

Operation Panel Indication	E.PE	E. PE	FR-PU04 FR-PU07	Corrupt Memry
Name	Parameter storage device alarm (control circuit board)			
Description	A fault occurred in parameters stored (EEPROM failure)			
Check point	Check for too many number of parameter write times.			
Corrective action	Please contact your sales representative. When performing parameter write frequently for communication purposes, set "1" in Pr. 342 to enable RAM write. Note that powering off returns the inverter to the status before RAM write.			

Operation Panel Indication	E.PE2	EPE2	FR-PU04 FR-PU07	Fault 14 PR storage alarm
Name	Parameter storage device alarm (main circuit board)			
Description	A fault occurred in parameters stored (EEPROM failure)			
Check point	_____			
Corrective action	Please contact your sales representative.			

Operation Panel Indication	E.PUE	EPUE	FR-PU04 FR-PU07	PU Leave Out
Name	PU disconnection			
Description	This function stops the inverter output if communication between the inverter and PU is suspended, e.g. the operation panel and parameter unit is disconnected, when "2", "3", "16" or "17" was set in Pr. 75 <i>Reset selection/disconnected PU detection/PU stop selection</i> . This function stops the inverter output when communication errors occurred consecutively for more than permissible number of retries when a value other than "9999" is set in Pr. 121 <i>Number of PU communication retries</i> during the RS-485 communication with the PU connector. This function also stops the inverter output if communication is broken for the period of time set in Pr. 122 <i>PU communication check time interval</i> .			
Check point	<ul style="list-style-type: none"> · Check that the FR-DU07 or parameter unit (FR-PU04/FR-PU07) is fitted tightly. · Check the Pr. 75 setting. 			
Corrective action	Fit the FR-DU07 or parameter unit (FR-PU04/FR-PU07) securely.			

Operation Panel Indication	E.RET	E.r ET	FR-PU04 FR-PU07	Retry No Over
Name	Retry count excess			
Description	If operation cannot be resumed properly within the number of retries set, this function stops the inverter output.			
Check point	Find the cause of alarm occurrence.			
Corrective action	Eliminate the cause of the error preceding this error indication.			



Operation Panel Indication	E. 6	E. 6	FR-PU04 FR-PU07	Fault 6
	E. 7	E. 7		Fault 7
	E.CPU	E.CPU		CPU Fault
Name	CPU error			
Description	Stops the inverter output if the communication error of the built-in CPU occurs.			
Check point	Check for devices producing excess electrical noises around the inverter.			
Corrective action	<ul style="list-style-type: none"> Take measures against noises if there are devices producing excess electrical noises around the inverter. Please contact your sales representative. 			

Operation Panel Indication	E.CTE	E.CTE	FR-PU04	—
			FR-PU07	E.CTE
Name	Operation panel power supply short circuit, RS-485 terminal power supply short circuit			
Description	<p>When the operation panel power supply (PU connector) is shorted, this function shuts off the power output. At this time, the operation panel (parameter unit) cannot be used and RS-485 communication from the PU connector cannot be made. When the power supply for the RS-485 terminals are shorted, this function shuts off the power output.</p> <p>At this time, communication from the RS-485 terminals cannot be made.</p> <p>To reset, enter the RES signal or switch power off, then on again.</p>			
Check point	<ol style="list-style-type: none"> Check for a short circuit in the PU connector cable. Check that the RS-485 terminals are connected correctly. 			
Corrective action	<ol style="list-style-type: none"> Check the PU and cable. Check the connection of the RS-485 terminals 			

Operation Panel Indication	E.MB1 to 7	E.MB1 to E.MB7	FR-PU04	—
			FR-PU07	E.MB1 Fault to E.MB7 Fault
Name	Brake sequence error			
Description	The inverter output is stopped when a sequence error occurs during use of the brake sequence function (<i>Pr. 278 to Pr. 285</i>). (<i>Refer to page 205</i>)			
Check point	Find the cause of alarm occurrence.			
Corrective action	Check the set parameters and perform wiring properly.			

Operation Panel Indication	E.OS	E. OS	FR-PU04 FR-PU07	Overspeed occurrence
Name	Overspeed occurrence			
Description	Appears when the motor speed reaches and exceeds the overspeed setting level under encoder feedback control or vector control.			
Check point	<ul style="list-style-type: none"> Check that the <i>Pr. 374 Overspeed detection level</i> value is correct. Check that the number of encoder pulses does not differ from the actual number of encoder pulses. 			
Corrective action	<ul style="list-style-type: none"> Set the <i>Pr. 374 Overspeed detection level</i> value correctly. Set the correct number of encoder pulses in <i>Pr. 369 Number of encoder pulses</i>. 			

Operation Panel Indication	E.OSD	E.OSD	FR-PU04 FR-PU07	Excessive speed deflection
Name	Speed deviation excess detection			
Description	Stops the inverter output if the motor speed is increased or decreased under the influence of the load etc. during vector control and cannot be controlled in accordance with the speed command value.			
Check point	<ul style="list-style-type: none"> Check that the values of <i>Pr. 285 Excessive speed deviation detection frequency</i> and <i>Pr. 853 Speed deviation time</i> are correct. Check for sudden load change. Check that the number of encoder pulses does not differ from the actual number of encoder pulses. 			
Corrective action	<ul style="list-style-type: none"> Set <i>Pr. 285 Excessive speed deviation detection frequency</i> and <i>Pr. 853 Speed deviation time</i> correctly. Keep load stable. Set the correct number of encoder pulses in <i>Pr. 369 Number of encoder pulses</i>. 			



Operation Panel Indication	E.ECT	E.ECT	FR-PU04 FR-PU07	No encoder signal
Name	Signal loss detection			
Description	Stops the inverter output when the encoder signal is shut off under orientation control, encoder feedback control or vector control.			
Check point	<ul style="list-style-type: none"> · Check for the encoder signal loss. · Check that the encoder specifications are correct. · Check for a loose connector. · Check that the switch setting of the FR-A7AP is correct. · Check that the power is supplied to the encoder. Or, check that the power is not supplied to the encoder later than the inverter. 			
Corrective action	<ul style="list-style-type: none"> · Remedy the signal loss. · Use an encoder that meets the specifications. · Make connection securely. · Make a switch setting of the FR-A7AP correctly. (Refer to page 32) · Supply the power to the encoder. Or supply the power to the encoder at the same time when the power is supplied to the inverter. <p>If the power is supplied to the encoder after the inverter, check that the encoder signal is securely sent and set "0" in Pr. 376.</p>			

Operation Panel Indication	E.OD	E. Od	FR-PU04 FR-PU07	Fault 14 Excessive position error
Name	Excessive position error			
Description	Indicates that the difference between the position command and position feedback exceeded the reference under position control.			
Check point	<ul style="list-style-type: none"> · Check that the position detecting encoder mounting orientation matches the parameter. · Check that the load is not large. · Check that the Pr. 427 Excessive level error and Pr. 369 Number of encoder pulses are correct. 			
Corrective action	<ul style="list-style-type: none"> · Check the parameters. · Reduce the load weight. · Set the Pr. 427 Excessive level error and Pr. 369 Number of encoder pulses correctly. 			

Operation Panel Indication	E.EP	E.EP	FR-PU04 FR-PU07	Fault 14 E.EP
Name	Encoder phase error			
Description	The rotation command of the inverter differs from the actual motor rotation direction detected from the encoder during offline auto tuning.			
Check point	<ul style="list-style-type: none"> · Check for mis-wiring of the encoder cable. · Check for wrong setting of Pr. 359 Encoder rotation direction. 			
Corrective action	<ul style="list-style-type: none"> · Perform connection and wiring securely. · Change the Pr. 359 Encoder rotation direction value. 			

Operation Panel Indication	E.P24	E.P24	FR-PU04 FR-PU07	E.P24
Name	24VDC power output short circuit			
Description	When the 24VDC power output from the PC terminal is shorted, this function shuts off the power output. At this time, all external contact inputs switch off. The inverter cannot be reset by entering the RES signal. To reset it, use the operation panel or switch power off, then on again.			
Check point	<ul style="list-style-type: none"> · Check for a short circuit in the PC terminal output. 			
Corrective action	<ul style="list-style-type: none"> · Remedy the earth (ground) fault portion. 			

Operation Panel Indication	E.CDO	E.CDO	FR-PU04 FR-PU07	Fault 14 OC detect level
Name	Output current detection value exceeded			
Description	This function is activated when the output current exceeds the Pr. 150 Output current detection level setting.			
Check point	Check the settings of Pr. 150 Output current detection level, Pr. 151 Output current detection signal delay time, Pr. 166 Output current detection signal retention time, Pr. 167 Output current detection operation selection. (Refer to page 235.)			



Operation Panel Indication	E.IOH	E IOH	FR-PU04	Fault 14
			FR-PU07	Inrush overheat
Name	Inrush current limit circuit alarm			
Description	This function is activated when the resistor of the inrush current limit circuit overheats. The inrush current limit circuit failure			
Check point	Check that frequent power ON/OFF is not repeated.			
Corrective action	Configure a circuit where frequent power ON/OFF is not repeated. If the problem still persists after taking the above measure, please contact your sales representative.			

Operation Panel Indication	E.SER	E.SEr	FR-PU04	Fault 14
			FR-PU07	VFD Comm error
Name	Communication error (inverter)			
Description	This function stops the inverter output when communication error occurs consecutively for more than permissible retry count when a value other than "9999" is set in <i>Pr. 335 RS-485 communication retry count</i> during RS-485 communication from the RS-485 terminals. This function also stops the inverter output if communication is broken for the period of time set in <i>Pr. 336 RS-485 communication check time interval</i> .			
Check point	Check the RS-485 terminal wiring.			
Corrective action	Perform wiring of the RS-485 terminals properly.			

Operation Panel Indication	E.AIE	E.AIE	FR-PU04	Fault 14
			FR-PU07	Analog in error
Name	Analog input error			
Description	Appears when 30mA or more is input or a voltage (7.5V or more) is input with the terminal 2/4 set to current input.			
Check point	Check the setting of <i>Pr. 73 Analog input selection</i> , <i>Pr. 267 Terminal 4 input selection</i> and voltage/current input switch. (Refer to page 271.)			
Corrective action	Either give a frequency command by current input or set <i>Pr. 73 Analog input selection</i> , <i>Pr. 267 Terminal 4 input selection</i> and voltage/current input switch to voltage input.			

Operation Panel Indication	E.USB	E.USB	FR-PU04	Fault 14
			FR-PU07	USB comm error
Name	USB communication error			
Description	When the time set in <i>Pr. 548 USB communication check time interval</i> has broken, this function stops the inverter output.			
Check point	Check the USB communication cable.			
Corrective action	<ul style="list-style-type: none"> · Check the <i>Pr. 548 USB communication check time interval</i> setting. · Check the USB communication cable. · Increase the <i>Pr. 548 USB communication check time interval</i> setting. Or, change the setting to 9999. (Refer to page 342) 			

Operation Panel Indication	E.11	E. 11	FR-PU04	Fault 11
			FR-PU07	
Name	Opposite rotation deceleration error			
Description	The speed may not decelerate during low speed operation if the rotation direction of the speed command and the estimated speed differ when the rotation is changing from forward to reverse or from reverse to forward under real sensorless vector control. At this time, the inverter output is stopped if the rotation direction will not change, causing overload.			
Check point	<ul style="list-style-type: none"> · Check that the <i>Pr. 71 Applied motor</i> setting is appropriate. · Check that offline auto tuning and online auto tuning have been performed. 			
Corrective action	<ul style="list-style-type: none"> · Check the setting of <i>Pr. 71 Applied motor</i>. · Perform offline auto tuning, then online auto tuning. · Please contact your sales representative. 			

Operation Panel Indication	E.13	E. 13	FR-PU04	Fault 13
			FR-PU07	
Name	Internal circuit error			
Description	Appears when an internal circuit error occurred.			
Corrective action	Please contact your sales representative.			

CAUTION

- If protective functions of E.ILF, E.PTC, E.PE2, E.EP, E.OD, E.CDO, E.IOH, E.SER, E.AIE, E.USB are activated when using the FR-PU04, "Fault 14" appears.
Also when the alarm history is checked on the FR-PU04, the display is "E.14".
- If alarms other than the above appear, contact your sales representative.



5.4 Correspondences between digital and actual characters

There are the following correspondences between the actual alphanumeric characters and the digital characters displayed on the operation panel.

Actual	Digital
0	0
1	1
2	2
3	3
4	4
5	5
6	6
7	7
8	8
9	9

Actual	Digital
A	A
B	b
C	C
D	d
E	E
F	F
G	G
H	H
I	i
J	J
L	L

Actual	Digital
M	m
N	n
O	O
o	o
P	P
S	S
T	T
U	U
V	v
r	r
-	-

5.5 Check first when you have troubles

When performing real sensorless vector control and vector control, refer to trouble shooting on *page 102* (speed control), *page 121* (torque control) and *page 133* (position control) in addition to the following check points.

POINT

If the cause is still unknown after every check, it is recommended to initialize the parameters (initial value) then reset the required parameter values and check again.

5.5.1 Motor does not rotate as commanded

1) Check the *Pr.0 Torque boost* setting if V/F control is exercised. (Refer to *page 136*)

2) Check the main circuit

- Check that a proper power supply voltage is applied (operation panel display is provided).
- Check that the motor is connected properly.
- Check that the jumper across P/+-P1 is connected.

3) Check the input signals

- Check that start signal is input.
- Check that both the forward and reverse rotation start signals are not input simultaneously.
- Check that the frequency setting signal is not zero. (When the frequency command is 0Hz and the start command is entered, FWD or REV LED on the operation panel flickers.)
- Check that the AU signal is on when the frequency setting signal is 4 to 20mA.
- Check that the output stop signal (MRS) or reset signal (RES) is not on.
- Check that the CS signal is not OFF with automatic restart after instantaneous power failure function is selected (*Pr. 57* ≠ "9999").
- Check that the sink or source jumper connector is fitted securely. (Refer to *page 26*)
- Check that the encoder wiring is correct.

4) Check the parameter settings

- Check that *Pr. 78 Reverse rotation prevention selection* is not selected.
- Check that the *Pr. 79 Operation mode selection* setting is correct.
- Check that the bias and gain (*calibration parameter C2 to C7*) settings are correct.
- Check that the *Pr. 13 Starting frequency* setting is not greater than the running frequency.
- Check that frequency settings of each running frequency (such as multi-speed operation) are not zero. Check that especially the *Pr. 1 Maximum frequency* setting is not zero.
- Check that the *Pr. 15 Jog frequency* setting is not lower than the *Pr. 13 Starting frequency* setting.
- Check that the *Pr. 359 Encoder rotation direction* setting under encoder feed back control or vector control is correct.
Set "1" in *Pr. 359* if "REV" on the operation panel is on when the forward command is given.

5) Inspection of load

- Check that the load is not too heavy.
- Check that the shaft is not locked.

5.5.2 Motor generates abnormal noise

— No carrier frequency noises (metallic noises) are generated.

- Soft-PWM control to change the motor tone into an unoffending complex tone is factory-set to valid by *Pr. 72 PWM frequency selection*.
Adjust *Pr. 72 PWM frequency selection* to change the motor tone.

— Check that the gain value under real sensorless vector control or vector control is not too high. Check the setting of *Pr. 820 (Pr. 830) Speed control P gain* when speed control is exercised and *Pr. 824 (Pr. 834) Torque control P gain* when torque control is exercised.

— Check for any mechanical looseness.

— Contact the motor manufacturer.



5.5.3 Motor generates heat abnormally

- Is the fan for the motor is running? (Check for accumulated dust.)
- Check that the load is not too heavy. Lighten the load.
- Check that the inverter output voltages (U, V, W) balanced.
- Check that the *Pr. 0 Torque boost* setting is correct.
- Was the motor type set? Check the setting of *Pr. 71 Applied motor*.
- When using any other manufacturer's motor, perform offline auto tuning. (Refer to page 178.)

5.5.4 Motor rotates in opposite direction

- Check that the phase sequence of output terminals U, V and W is correct.
- Check that the start signals (forward rotation, reverse rotation) are connected properly. (Refer to page 23)

5.5.5 Speed greatly differs from the setting

- Check that the frequency setting signal is correct. (Measure the input signal level.)
- Check that the *Pr. 1, Pr. 2, Pr. 19, Calibration parameter C2 to C7* settings are correct
- Check that the input signal lines are not affected by external noise. (Use shielded cables)
- Check that the load is not too heavy.
- Check that the *Pr. 31 to Pr. 36* (frequency jump) settings are correct.

5.5.6 Acceleration/deceleration is not smooth

- Check that the acceleration and deceleration time settings are not too short.
- Check that the load is not too heavy.
- Check that the torque boost (*Pr. 0, Pr. 46, Pr. 112*) setting is not too large to activate the stall function (torque limit).

5.5.7 Motor current is large

- Check that the load is not too heavy.
- Check that the *Pr. 0 Torque boost* setting is appropriate.
- Check that the *Pr. 3 Base frequency* setting is appropriate.
- Check that the *Pr. 14 Load pattern selection* setting is appropriate.
- Check that the *Pr. 19 Base frequency voltage* setting is appropriate.

5.5.8 Speed does not increase

- Check that the maximum frequency (*Pr. 1*) setting is correct. (If you want to run the motor at 120Hz or more, set *Pr. 18 High speed maximum frequency*. (Refer to page 149.))
- Check that the load is not too heavy. (In agitators, etc., load may become heavier in winter.)
- Check that the torque boost (*Pr. 0, Pr. 46, Pr. 112*) setting is not too large to activate the stall function under V/F control.
- Check that the brake resistor is not connected to terminals P/+-P1 accidentally.

5.5.9 Speed varies during operation

When advanced magnetic flux vector control, real sensorless vector control, vector control or encoder feedback control is exercised, the output frequency varies with load fluctuation between 0 and 2Hz. This is a normal operation and is not a fault.

1) Inspection of load

— Check that the load is not varying.

2) Check the input signals

— Check that the frequency setting signal is not varying.
 — Check that the frequency setting signal is not affected by noise. Input filter to the analog input terminal using *Pr. 74 Input filter time constant* and *Pr. 822 Speed setting filter 1*.
 — Check for a malfunction due to undesirable currents when the transistor output unit is connected. (Refer to page 27)

3) Others

— Check that the settings of *Pr. 80 Motor capacity* and *Pr. 81 Number of motor poles* are correct to the inverter capacity and motor capacity under advanced magnetic flux vector control, real sensorless vector control or vector control.
 — Check that the wiring length is not exceeding 30m when advanced magnetic flux vector control, real sensorless vector control or vector control is exercised. Perform offline auto tuning. (Refer to page 178)
 — Check that the wiring length is not too long for V/F control
 — Change the *Pr. 19 Base frequency voltage* setting (about 3%) under V/F control.



5.5.10 Operation mode is not changed properly

If the operation mode does not change correctly, check the following:

1) Inspection of load

— Check that the STF or STR signal is off.
 When it is on, the operation mode cannot be changed.

2) Parameter setting

— Check the *Pr. 79* setting.
 When the *Pr. 79 Operation mode selection* setting is "0" (initial value), the inverter is placed in the external operation mode at input power-on. At this time, press  on the operation panel (press  when the parameter unit (FR-PU04/FR-PU07) is used) to switch to the PU operation mode.

5.5.11 Operation panel (FR-DU07) display is not operating

— Check that the operation panel is connected to the inverter securely.

5.5.12 POWER lamp is not lit

— Check that wiring is securely performed and installation is correct.

5.5.13 Parameter write cannot be performed

— Make sure that operation is not being performed (signal STF or STR is not ON).
 — Make sure that you are not attempting to set the parameter in the external operation mode.
 — Check *Pr. 77 Parameter write selection*.
 — Check *Pr. 161 Frequency setting/key lock operation selection*.

MEMO

6 PRECAUTIONS FOR MAINTENANCE AND INSPECTION

This chapter provides the "PRECAUTIONS FOR MAINTENANCE AND INSPECTION" of this product.

Always read the instructions before using the equipment

6.1	Inspection item	406
6.2	Measurement of main circuit voltages, currents and powers.....	414

1

2

3

4

5

6

7



The inverter is a static unit mainly consisting of semiconductor devices. Daily inspection must be performed to prevent any fault from occurring due to the adverse effects of the operating environment, such as temperature, humidity, dust, dirt and vibration, changes in the parts with time, service life, and other factors.

• Precautions for maintenance and inspection

For some short time after the power is switched off, a high voltage remains in the smoothing capacitor. When accessing the inverter for inspection, wait for at least 10 minutes after the power supply has been switched off, and then make sure that the voltage across the main circuit terminals P/+-N/- of the inverter is not more than 30VDC using a tester, etc.

6.1 Inspection item

6.1.1 Daily inspection

Basically, check for the following faults during operation.

- (1) Motor operation fault
- (2) Improper installation environment
- (3) Cooling system fault
- (4) Unusual vibration and noise
- (5) Unusual overheat and discoloration

During operation, check the inverter input voltages using a tester.

6.1.2 Periodic inspection

Check the areas inaccessible during operation and requiring periodic inspection.

Consult us for periodic inspection.

- 1) Check for cooling system fault..... Clean the air filter, etc.
- 2) Tightening check and retightening..... The screws and bolts may become loose due to vibration, temperature changes, etc.
Tighten them according to the specified tightening torque. (*Refer to page 18*)
- 3) Check the conductors and insulating materials for corrosion and damage.
- 4) Measure insulation resistance.
- 5) Check and change the cooling fan and relay.

6.1.3 Daily and periodic inspection

Area of Inspection	Inspection Item	Description	Interval		Corrective Action at Alarm Occurrence	Customer's Check	
			Daily	Periodic ^{*2}			
General	Surrounding environment	Check the ambient temperature, humidity, dirt, corrosive gas, oil mist, etc	<input type="radio"/>		Improve environment		
	Overall unit	Check for unusual vibration and noise	<input type="radio"/>		Check alarm location and retighten		
	Power supply voltage	Check that the main circuit voltages and control voltages are normal ^{*1}	<input type="radio"/>		Inspect the power supply		
Main circuit	General	(1) Check with megger (across main circuit terminals and earth (ground) terminal). (2) Check for loose screws and bolts. (3) Check for overheat traces on the parts. (4) Check for stain		<input type="radio"/>	Contact the manufacturer Retighten Contact the manufacturer Clean		
	Conductors, cables	(1) Check conductors for distortion. (2) Check cable sheaths for breakage and deterioration (crack, discoloration, etc.)		<input type="radio"/>	Contact the manufacturer Contact the manufacturer		
	Transformer/reactor	Check for unusual odor and abnormal increase in whining sound.	<input type="radio"/>		Stop the device and contact the manufacturer.		
	Terminal block	Check for damage.		<input type="radio"/>	Stop the device and contact the manufacturer.		
	Smoothing aluminum electrolytic capacitor	(1) Check for liquid leakage. (2) Check for safety valve projection and bulge. (3) Visual check and judge by the life check of the main circuit capacitor (Refer to page 408)		<input type="radio"/>	Contact the manufacturer Contact the manufacturer		
	Relay/contacter	Check that the operation is normal and no chatter is heard.		<input type="radio"/>	Contact the manufacturer		
	Resistor	(1) Check for crack in resistor insulation. (2) Check for a break in the cable.		<input type="radio"/>	Contact the manufacturer Contact the manufacturer		
Control circuit protective circuit	Operation check	(1) Check that the output voltages across phases with the inverter operated alone is balanced (2) Check that no fault is found in protective and display circuits in a sequence protective operation test.		<input type="radio"/>	Contact the manufacturer Contact the manufacturer		
	Parts check	Overall	(1) Check for unusual odor and discoloration. (2) Check for serious rust development		<input type="radio"/>	Stop the device and contact the manufacturer. Contact the manufacturer	
		Aluminum electrolytic capacitor	(1) Check for liquid leakage in a capacitor and deformation trace (2) Visual check and judge by the life check of the control circuit capacitor. (Refer to page 369.)		<input type="radio"/>	Contact the manufacturer	
Cooling system	Cooling fan	(1) Check for unusual vibration and noise. (2) Check for loose screws and bolts (3) Check for stain	<input type="radio"/>	<input type="radio"/>	Replace the fan Retighten Clean		
	Heatsink	(1) Check for clogging (2) Check for stain		<input type="radio"/>	Clean Clean		
	Air filter, etc.	(1) Check for clogging (2) Check for stain		<input type="radio"/>	Clean or replace Clean or replace		
Display	Indication	(1) Check that display is normal. (2) Check for stain	<input type="radio"/>	<input type="radio"/>	Contact the manufacturer Clean		
	Meter	Check that reading is normal	<input type="radio"/>		Stop the device and contact the manufacturer.		
Load motor	Operation check	Check for vibration and abnormal increase in operation noise	<input type="radio"/>		Stop the device and contact the manufacturer.		

*1 It is recommended to install a device to monitor voltage for checking the power supply voltage to the inverter.

*2 One to two years of periodic inspection cycle is recommended. However, it differs according to the installation environment. Consult us for periodic inspection.



6.1.4 Display of the life of the inverter parts

The self-diagnostic alarm is output when the life span of the control circuit capacitor, cooling fan, each parts of the inrush current limit circuit is near to give an indication of replacement time .

The life alarm output can be used as a guideline for life judgement.

Parts	Judgement Level
Main circuit capacitor	85% of the initial capacity
Control circuit capacitor	Estimated 10% life remaining
Inrush current limit circuit	Estimated 10% life remaining (Power on: 100,000 times left)
Cooling fan	Less than 50% of the predetermined speed



Refer to page 369 to perform the life check of the inverter parts.

6.1.5 Checking the inverter and converter modules

<Preparation>

- (1) Disconnect the external power supply cables (R/L1, S/L2, T/L3) and motor cables (U, V, W).
- (2) Prepare a tester. (Use 100Ω range.)

<Checking method>

Change the polarity of the tester alternately at the inverter terminals R/L1, S/L2, T/L3, U, V, W, P/+ and N/–, and check for continuity.

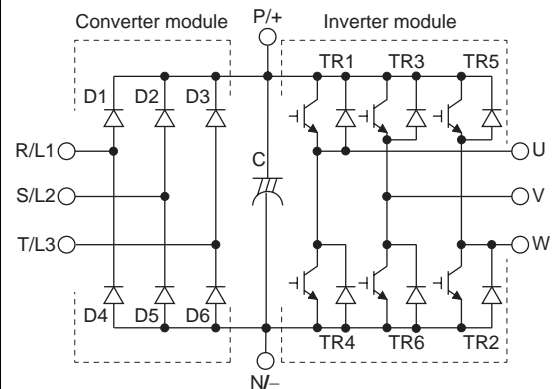
CAUTION

1. Before measurement, check that the smoothing capacitor is discharged.
2. At the time of discontinuity, due to the smoothing capacitor, the tester may not indicate ∞. At the time of continuity, the measured value is several to several ten's-of ohms depending on the module type, circuit tester type, etc. If all measured values are almost the same, the modules are without fault.

<Module device numbers and terminals to be checked>

		Tester Polarity		Measured Value		Tester Polarity		Measured Value
		⊕	⊖			⊕	⊖	
Converter module	D1	R/L1	P/+	Discontinuity	D4	R/L1	N/–	Continuity
		P/+	R/L1	Continuity		N/–	R/L1	Discontinuity
	D2	S/L2	P/+	Discontinuity	D5	S/L2	N/–	Continuity
		P/+	S/L2	Continuity		N/–	S/L2	Discontinuity
	D3	T/L3	P/+	Discontinuity	D6	T/L3	N/–	Continuity
		P/+	T/L3	Continuity		N/–	T/L3	Discontinuity
Inverter module	TR1	U	P/+	Discontinuity	TR4	U	N/–	Continuity
		P/+	U	Continuity		N/–	U	Discontinuity
	TR3	V	P/+	Discontinuity	TR6	V	N/–	Continuity
		P/+	V	Continuity		N/–	V	Discontinuity
	TR5	W	P/+	Discontinuity	TR2	W	N/–	Continuity
		P/+	W	Continuity		N/–	W	Discontinuity

(Assumes the use of an analog meter.)



6.1.6 Cleaning

Always run the inverter in a clean status.

When cleaning the inverter, gently wipe dirty areas with a soft cloth immersed in neutral detergent or ethanol.

CAUTION

Do not use solvent, such as acetone, benzene, toluene and alcohol, as they will cause the inverter surface paint to peel off.

The display, etc. of the operation panel (FR-DU07) and parameter unit (FR-PU04/FR-PU07) are vulnerable to detergent and alcohol. Therefore, avoid using them for cleaning.

6.1.7 Replacement of parts

The inverter consists of many electronic parts such as semiconductor devices.

The following parts may deteriorate with age because of their structures or physical characteristics, leading to reduced performance or fault of the inverter. For preventive maintenance, the parts must be replaced periodically.

Use the life check function as a guidance of parts replacement.

Part Name	Standard Replacement Interval *1	Description
Cooling fan	10 years	Replace (as required)
Main circuit smoothing capacitor	10 years *2	Replace (as required)
On-board smoothing capacitor	10 years	Replace the board (as required)
Relays	–	as required
Fuse (04320 or more)	10 years	Replace the fuse (as required)

*1 Replacement years for when the yearly average ambient temperature is 40°C
(without corrosive gas, flammable gas, oil mist, dust and dirt etc)

*2 Output current : equivalent to rating current of the Mitsubishi standard motor (4 poles)

CAUTION

For parts replacement, consult the nearest Mitsubishi FA Center.



(1) Cooling fan

The replacement interval of the cooling fan used for cooling the parts generating heat such as the main circuit semiconductor is greatly affected by the ambient temperature. When unusual noise and/or vibration is noticed during inspection, the cooling fan must be replaced immediately.

CAUTION

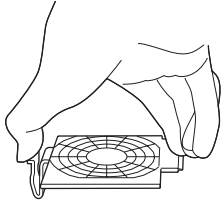
For parts replacement, consult the nearest Mitsubishi FA Center.

Inverter Type	Fan Type	Units	
A740	00083, 00126	MMF-06F24ES-RP1 BKO-CA1638H01	1
	00170 to 00380	MMF-08D24ES-RP1 BKO-CA1639H01	2
	00470, 00620	MMF-12D24DS-RP1 BKO-CA1619H01	1
	00700	MMF-09D24TS-RP1 BKO-CA1640H01	2
	00930 to 01800	MMF-12D24DS-RP1 BKO-CA1619H01	2
	02160 to 03610		3
	04320, 04810	9LB1424H5H03	3
	05470 to 06830		4
	07700, 08660		5
	09620 to 12120		9LB1424S5H04

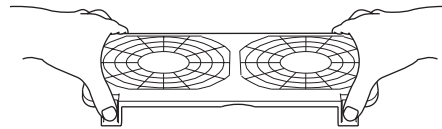
The FR-A740-00023 to 00052 are not provided with a cooling fan.

• Removal (FR-A740-00083 to 03610)

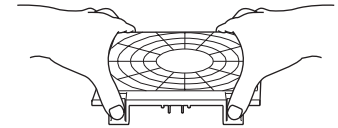
1) Push the hooks from above and remove the fan cover.



00083, 00126



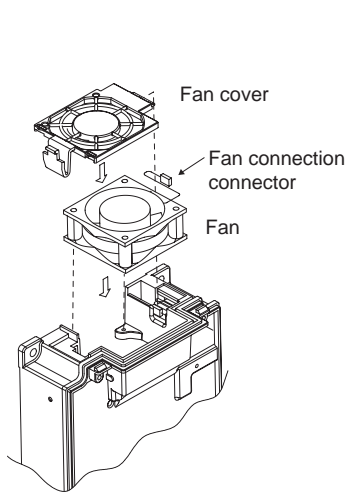
00170 to 00620



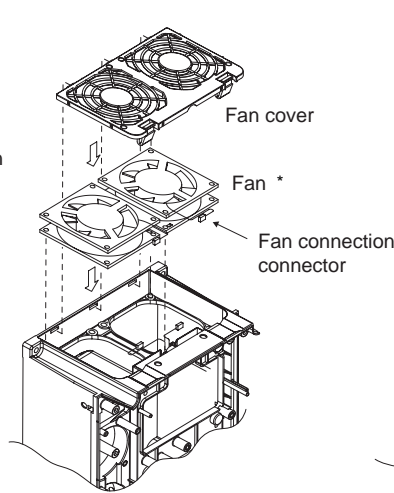
00770 to 03610

2) Disconnect the fan connectors.

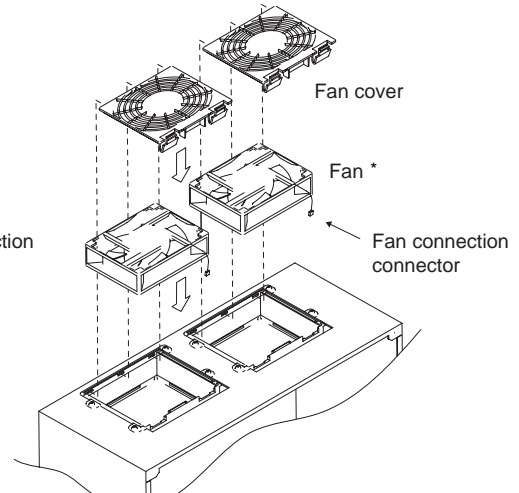
3) Remove the fan.



00083, 00126



00170 to 00620

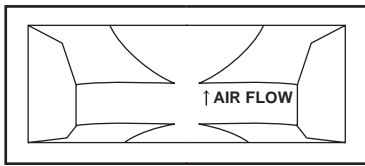


00770 to 03610

* The number of cooling fans differs according to the inverter capacity. (Refer to the table above)

• Reinstallation (FR-A740-00083 to 03610)

1) After confirming the orientation of the fan, reinstall the fan so that the arrow on the left of "AIR FLOW" faces up.



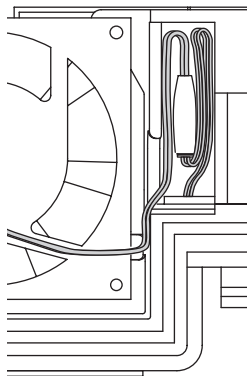
<Fan side face>

CAUTION

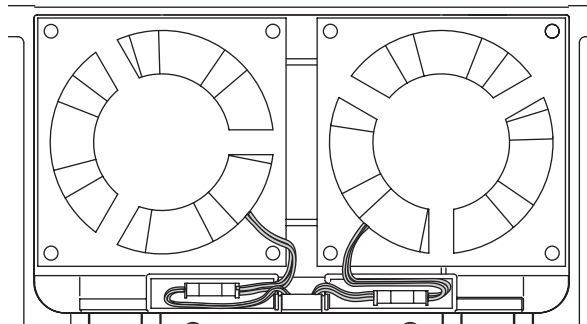
Installing the fan in the opposite air flow direction can cause the inverter life to be shorter.

2) Reconnect the fan connectors.

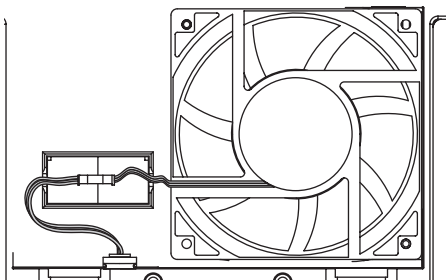
When wiring, use care to avoid the cables being caught by the fan.



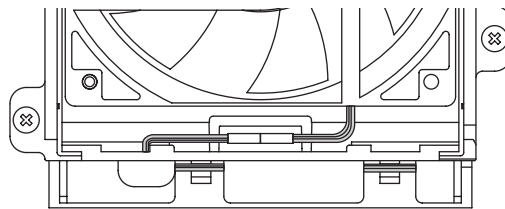
00083, 00126



00170 to 00380



00470, 00620

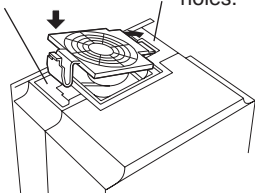


00770 to 03610

3) Reinstall the fan cover.

2. Insert hooks until you hear a click sound.

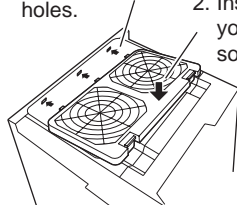
1. Insert hooks into holes.



00083, 00126

1. Insert hooks into holes.

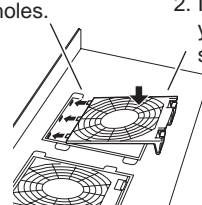
2. Insert hooks until you hear a click sound.



00170 to 00620

1. Insert hooks into holes.

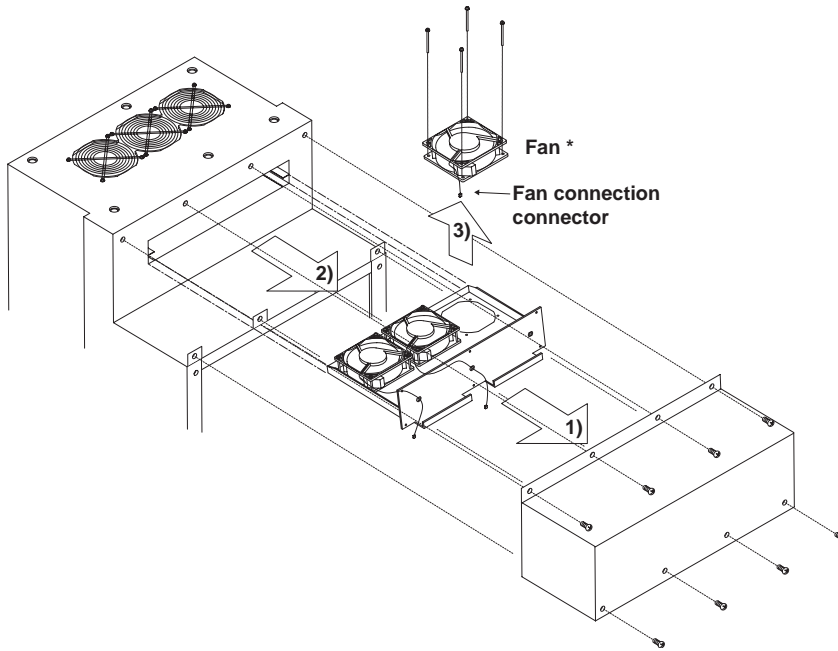
2. Insert hooks until you hear a click sound.



00770 to 03610

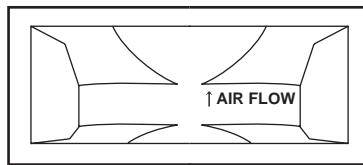


- Removal (04320 or more)
 - 1) Remove a fan cover.
 - 2) After removing a fan connector, remove a fan block.
 - 3) Remove a fan.



* The number of cooling fans differs according to the inverter capacity.

- Reinstallation (04320 or more)
 - 1) After confirming the orientation of the fan, reinstall the fan so that the arrow on the left of "AIR FLOW" faces up.



<Fan side face>

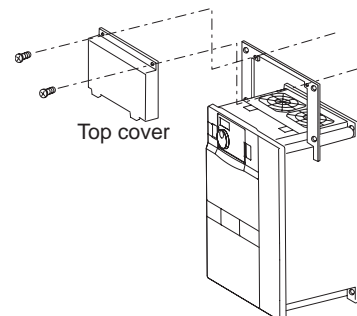
- 2) Install fans referring to the above figure.

CAUTION

- Installing the fan in the opposite air flow direction can cause the inverter life to be shorter.
- When installing the fan, use care to prevent wires from being caught between the inverter and fan.
- To prevent an electric shock accident, exchange fans only when the inverter cover is on the inverter.

(2) Replacement procedure of the cooling fan when using a heatsink protrusion attachment (FR-A7CN)

When replacing a cooling fan, remove a top cover of the heatsink protrusion attachment and perform replacement. After replacing the cooling fan, replace the top cover in the original position.



(3) Smoothing capacitors

A large-capacity aluminum electrolytic capacitor is used for smoothing in the main circuit DC section, and an aluminum electrolytic capacitor is used for stabilizing the control power in the control circuit. Their characteristics are deteriorated by the adverse effects of ripple currents, etc.

The replacement intervals greatly vary with the ambient temperature and operating conditions. When the inverter is operated in air-conditioned, normal environment conditions, replace the capacitors about every 10 years.

The appearance criteria for inspection are as follows:

- 1) Case: Check the side and bottom faces for expansion
- 2) Sealing plate: Check for remarkable warp and extreme crack.
- 3) Check for external crack, discoloration, fluid leakage, etc. Judge that the capacitor has reached its life when the measured capacitance of the capacitor reduced below 80% of the rating.



Refer to page 369 to perform the life check of the main circuit capacitor.

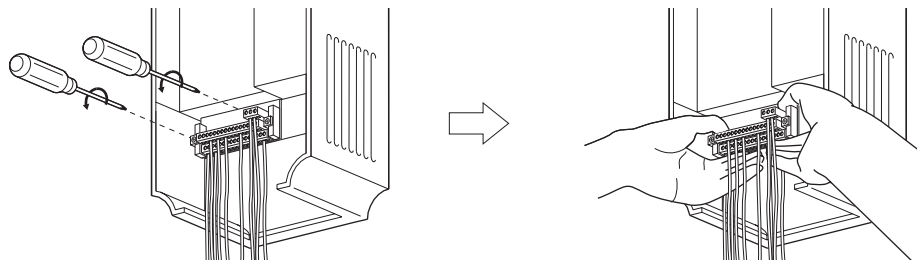
(4) Relays

To prevent a contact fault, etc., relays must be replaced according to the cumulative number of switching times (switching life).

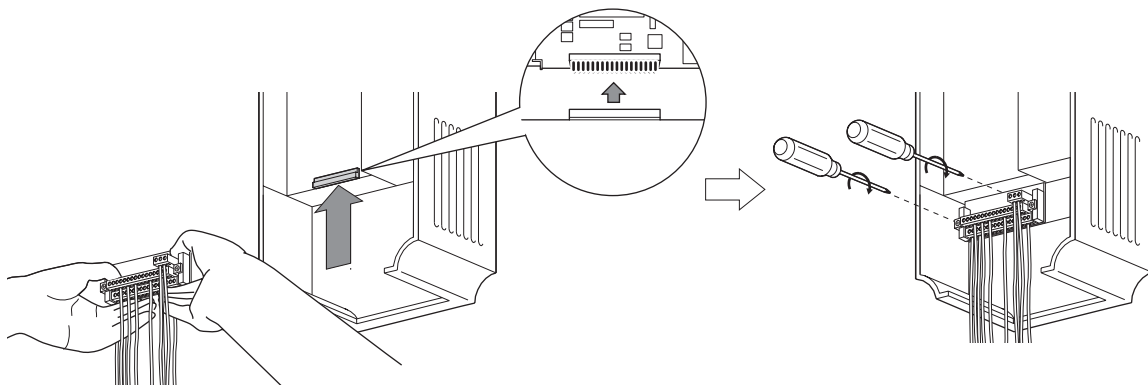
6.1.8 Inverter replacement

The inverter can be replaced with the control circuit wiring kept connected. Before replacement, remove the wiring cover of the inverter.

- 1) Loosen the two installation screws in both ends of the control circuit terminal block. (These screws cannot be removed.) Pull down the terminal block from behind the control circuit terminals.



- 2) Using care not to bend the pins of the inverter's control circuit connector, reinstall the control circuit terminal block and fix it with the mounting screws.



CAUTION

Before starting inverter replacement, switch power off, wait for at least 10 minutes, and then check the voltage with a tester and such to ensure safety.

6.2 Measurement of main circuit voltages, currents and powers

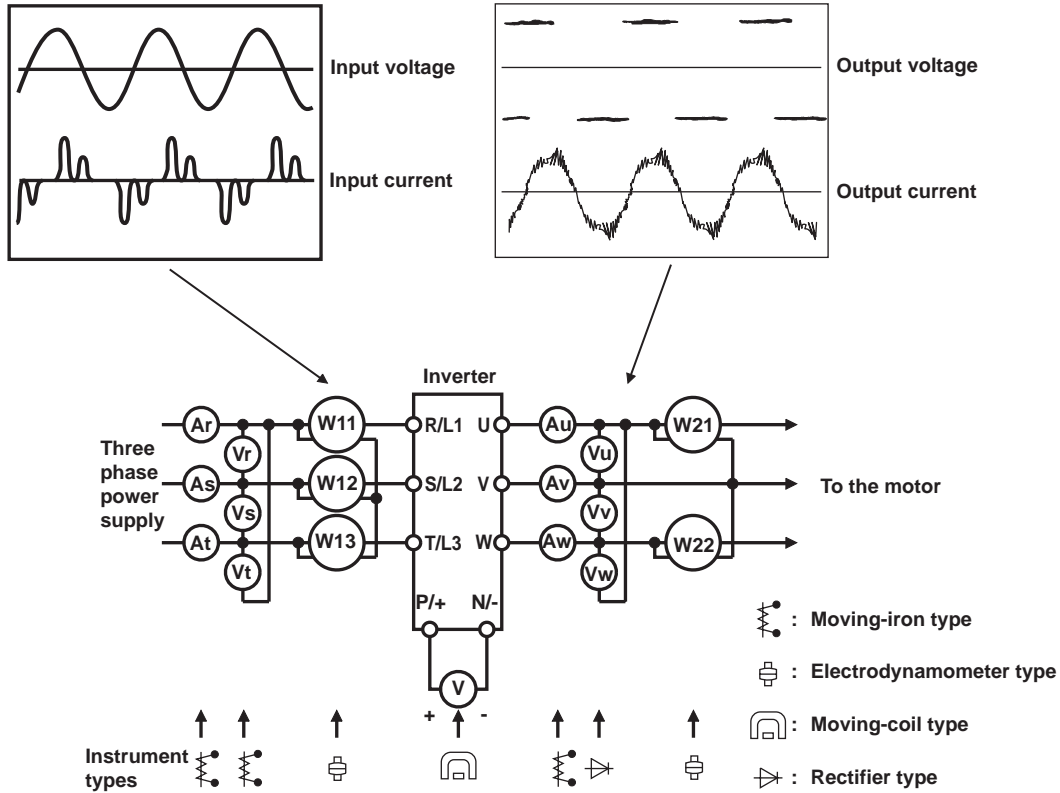
Since the voltages and currents on the inverter power supply and output sides include harmonics, measurement data depends on the instruments used and circuits measured.

When instruments for commercial frequency are used for measurement, measure the following circuits with the instruments given on the next page.

- When installing meters etc. on the inverter output side

When the inverter-to-motor wiring length is large, especially in the small-capacity models, the meters and CTs may generate heat due to line-to-line leakage current. Therefore, choose the equipment which has enough allowance for the current rating.

When measuring and indicating the output voltage and output current of the inverter, it is recommended to utilize the AM-5 and CA-5 terminal output function of the inverter.



Examples of Measuring Points and Instruments

Measuring points and instruments

Item	Measuring Point	Measuring Instrument	Remarks (Reference Measured Value)	
Power supply voltage V1	Across R/L1-S/ L2, S/L2-T/L3, T/ L3-R/L1	Moving-iron type AC voltmeter	Commercial power supply Within permissible AC voltage fluctuation (Refer to page 420)	
Power supply side current I1	R/L1, S/L2, and T/L3 line currents	Moving-iron type AC ammeter		
Power supply side power P1	R/L1, S/L2, T/L3 and R/L1-S/L2, S/L2-T/ L3, T/L3-R/L1	Electrodynamic type single-phase wattmeter	P1=W11+W12+W13 (3-wattmeter method)	
Power supply side power factor Pf1	Calculate after measuring power supply voltage, power supply side current and power supply side power. $Pf_1 = \frac{P_1}{\sqrt{3} V_1 \times I_1} \times 100\%$			
Output side voltage V2	Across U-V, V-W and W-U	Rectifier type AC voltage meter *1 (Moving-iron type cannot measure)	Difference between the phases is within ±1% of the maximum output voltage.	
Output side current I2	U, V and W line currents	Moving-iron type AC ammeter *2	Difference between the phases is 10% or lower of the rated inverter current.	
Output side power P2	U, V, W and U-V, V-W	Electrodynamic type single-phase wattmeter	P2 = W21 + W22 2-wattmeter method (or 3-wattmeter method)	
Output side power factor Pf2	Calculate in similar manner to power supply side power factor. $Pf_2 = \frac{P_2}{\sqrt{3} V_2 \times I_2} \times 100\%$			
Converter output	Across P/+ -N/-	Moving-coil type (such as tester)	Inverter LED display is lit. 1.35 × V1	
Frequency setting signal	Across 2, 4 (positive)- 5	Moving-coil type (Tester and such may be used) (Internal resistance: 50kΩ or larger)	0 to 10VDC, 4 to 20mA	"5" is common
	Across 1 (positive)-5		0 to ±5VDC, 0 to ±10VDC	
Frequency setting power supply	Across 10 (positive)-5		5.2VDC	
	Across 10E (positive)- 5		10VDC	
Frequency meter signal	Across CA (positive)-5		Approx. 20mA at maximum frequency	Approx. 10DVC at maximum frequency (without frequency meter)
	Across AM (positive)- 5			
Start signal Select signal	Across STF, STR, RH, RM, RL, JOG, RT, AU, STOP, CS - PC (positive)			When open 20 to 30VDC ON voltage: 1V or less
Reset	Across RES-PC (positive)			
Output stop	Across MRS-PC (positive)			
Alarm signal	Across A1-C1	Moving-coil type (such as tester)	Continuity check*3	
	Across B1-C1		<Normal> Across A1-C1 Discontinuity Across B1-C1 Continuity	<Abnormal> Continuity Discontinuity

*1 Use an FFT to measure the output voltage accurately. A tester or general measuring instrument cannot measure accurately.
 *2 When the carrier frequency exceeds 5kHz, do not use this instrument since using it may increase eddy-current losses produced in metal parts inside the instrument, leading to burnout. If the wiring length between the inverter and motor is long, the instrument and CT may generate heat due to line-to-line leakage current.
 *3 When the setting of Pr. 195 ABC1 terminal function selection is positive logic

PRECAUTIONS FOR MAINTENANCE AND INSPECTION



6.2.1 Measurement of powers

Using an electro-dynamometer type meter, measure the power in both the input and output sides of the inverter using the two- or three-wattmeter method. As the current is liable to be imbalanced especially in the input side, it is recommended to use the three-wattmeter method.

Examples of measured value differences produced by different measuring meters are shown below.

An error will be produced by difference between measuring instruments, e.g. power calculation type and two- or three-wattmeter type three-phase wattmeter. When a CT is used in the current measuring side or when the meter contains a PT on the voltage measurement side, an error will also be produced due to the frequency characteristics of the CT and PT.

[Measurement conditions]

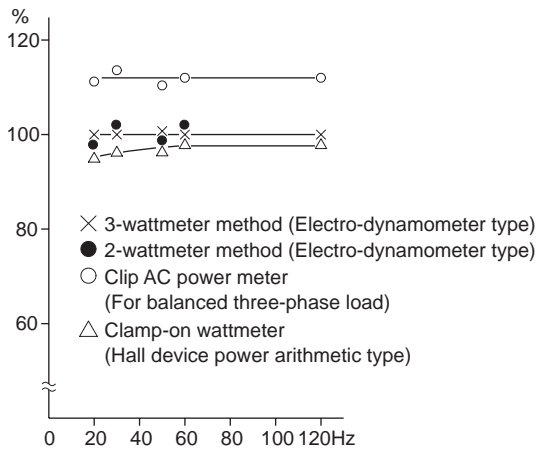
Constant-torque (100%) load, constant-power at 60Hz or more.

3.7kW, 4-pole motor, value indicated in 3-wattmeter method is 100%.

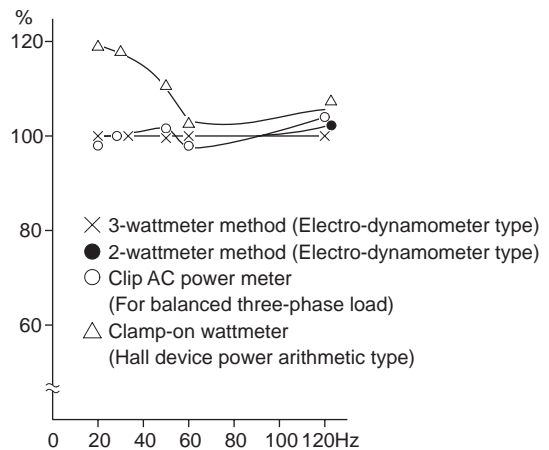
[Measurement conditions]

Constant-torque (100%) load, constant-power at 60Hz or more.

3.7kW, 4-pole motor, value indicated in 3-wattmeter method is 100%.



Example of measuring inverter input power



Example of measuring inverter output power

6.2.2 Measurement of voltages and use of PT

(1) Inverter input side

As the input side voltage has a sine wave and it is extremely small in distortion, accurate measurement can be made with an ordinary AC meter.

(2) Inverter output side

Since the output side voltage has a PWM-controlled rectangular wave, always use a rectifier type voltmeter. A needle type tester can not be used to measure the output side voltage as it indicates a value much greater than the actual value. A moving-iron type meter indicates an effective value which includes harmonics and therefore the value is larger than that of the fundamental wave. The value monitored on the operation panel is the inverter-controlled voltage itself. Hence, that value is accurate and it is recommended to monitor values (provide analog output) using the operation panel.

(3) PT

No PT can be used in the output side of the inverter. Use a direct-reading meter. (A PT can be used in the input side of the inverter.)

6.2.3 Measurement of currents

Use a moving-iron type meter on both the input and output sides of the inverter. However, if the carrier frequency exceeds 5kHz, do not use that meter since an overcurrent losses produced in the internal metal parts of the meter will increase and the meter may burn out. In this case, use an approximate-effective value type.

As the inverter input side current is easily imbalanced, measurement of currents in all three phases is recommended. Correct values can not be measured in one or two phases. On the other hand, the phase imbalanced ratio of the output side current must be within 10%.

When using a clamp ammeter, always use an effective value detection type. A mean value detection type produces a large error and may indicate an extremely smaller value than the actual value. The value monitored on the operation panel is accurate if the output frequency varies, and it is recommended to monitor values (provide analog output) using the operation panel.

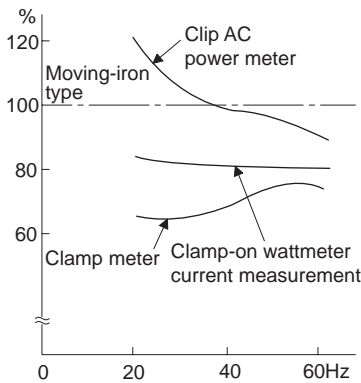
An example of the measured value difference produced by different measuring meters is shown below.

[Measurement conditions]

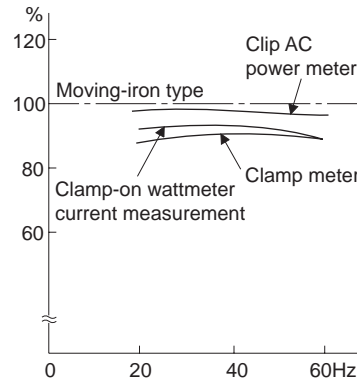
Value indicated by moving-iron type ammeter is 100%.

[Measurement conditions]

Value indicated by moving-iron type ammeter is 100%.



Example of measuring inverter input current



Example of measuring inverter output current

6.2.4 Use of CT and transducer

A CT may be used in both the input and output sides of the inverter, but the one used should have the largest possible VA ability because an error will increase if the frequency gets lower.

When using a transducer, use the effective value calculation type which is immune to harmonics.

6.2.5 Measurement of inverter input power factor

Use the effective power and apparent power to calculate the inverter input power factor. A power-factor meter can not indicate an exact value.

$$\begin{aligned} \text{Total power factor of the inverter} &= \frac{\text{Effective power}}{\text{Apparent power}} \\ &= \frac{\text{Three-phase input power found by 3-wattmeter method}}{\sqrt{3} \times V (\text{power supply voltage}) \times I (\text{input current effective value})} \end{aligned}$$

6.2.6 Measurement of converter output voltage (across terminals P/+ - N/-)

The output voltage of the converter is developed across terminals P/+ - N/- and can be measured with a moving-coil type meter (tester). Although the voltage varies according to the power supply voltage, approximately 540V to 600V is output when no load is connected and voltage decreases when a load is connected.

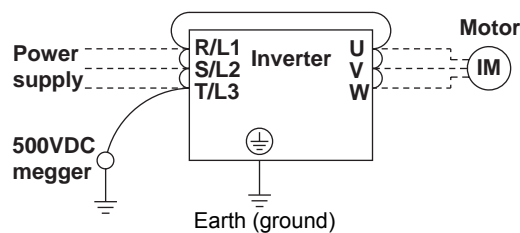
When regenerative energy is returned from the motor during deceleration, for example, the converter output voltage rises to nearly 800V to 900V maximum.

6.2.7 Insulation resistance test using megger

For the inverter, conduct the insulation resistance test on the main circuit only as shown below and do not perform the test on the control circuit. (Use a 500VDC megger.)

CAUTION

- Before performing the insulation resistance test on the external circuit, disconnect the cables from all terminals of the inverter so that the test voltage is not applied to the inverter.
 - For the continuity test of the control circuit, use a tester (high resistance range) and do not use the megger or buzzer.
-



6.2.8 Pressure test

Do not conduct a pressure test. Deterioration may occur.

7 SPECIFICATIONS

This chapter provides the "SPECIFICATIONS" of this product.
Always read the instructions before using the equipment

7.1	Rating	420
7.2	Common specifications	421
7.3	Outline dimension drawings	423
7.4	Heatsink protrusion attachment procedure	431

1

2

3

4

5

6

7



7.1 Rating

7.1.1 Inverter rating

● **400V class**

ND is initially set.

Type FR-A740-□□□□-EC		00023	00038	00052	00083	00126	00170	00250	00310	00380	00470	00620	00770	00930	01160		
Applicable motor capacity for ND (kW) *1		0.4	0.75	1.5	2.2	3.7	5.5	7.5	11	15	18.5	22	30	37	45		
Rated capacity (kVA) *2		1.1	1.9	3	4.6	6.9	9.1	13	17.5	23.6	29	32.8	43.4	54	65		
Output	Rated current (A) *3	SLD	2.3 (1.9)	3.8 (3.2)	5.2 (4.4)	8.3 (7.0)	12.6 (10.7)	17 (14.4)	25 (21.2)	31 (26.3)	38 (32.3)	47 (39.9)	62 (52.7)	77 (65.4)	93 (79.0)	116 (98.6)	
		LD	2.1 (1.7)	3.5 (2.9)	4.8 (4.0)	7.6 (6.4)	11.5 (9.7)	16 (13.6)	23 (19.5)	29 (24.6)	35 (29.7)	43 (36.5)	57 (48.4)	70 (59.5)	85 (72.2)	106 (90.1)	
		ND	1.5	2.5	4	6	9	12	17	23	31	38	44	57	71	86	
		HD	0.8	1.5	2.5	4	6	9	12	17	23	31	38	44	57	71	
Output	Overload current rating *4	SLD	110% 60s, 120% 3s (inverse time characteristics) ambient temperature 40°C														
		LD	120% 60s, 150% 3s (inverse time characteristics) ambient temperature 50°C														
		ND	150% 60s, 200% 3s (inverse time characteristics) ambient temperature 50°C														
		HD	200% 60s, 250% 3s (inverse time characteristics) ambient temperature 50°C														
Voltage *5		Three-phase 380 to 480V															
Regenerative braking torque	Maximum value/ permissible duty	100% torque/2%ED						20% torque/continuous *6				20% torque/continuous					
Power supply	Rated input AC voltage/frequency		Three-phase 380 to 480V 50Hz/60Hz														
	Permissible AC voltage fluctuation		323 to 528V 50Hz/60Hz														
	Permissible frequency fluctuation		±5%														
	Power supply capacity (kVA) *7		1.5	2.5	4.5	5.5	9	12	17	20	28	34	41	52	66	80	
Protective structure *9		Enclosed type (IP20) *8											Open type (IP00)				
Cooling system		Self-cooling					Forced air cooling										
Approx. mass (kg)		3.8	3.8	3.8	3.8	3.8	7.1	7.1	7.5	7.5	13	13	23	35	35		
Type FR-A740-□□□□-EC		01800	02160	02600	03250	03610	04320	04810	05470	06100	06830	07700	08660	09620	10940	12120	
Applicable motor capacity for ND (kW) *1		55	75	90	110	132	160	185	220	250	280	315	355	400	450	500	
Rated capacity (kVA) *2		84	110	137	165	198	248	275	329	367	417	465	521	587	660	733	
Output	Rated current (A) *3	SLD	180 (153)	216 (183)	260 (221)	325 (276)	361 (306)	432 (367)	481 (408)	547 (464)	610 (518)	683 (580)	770 (654)	866 (736)	962 (817)	1094 (929)	1212 (1030)
		LD	144 (122)	180 (153)	216 (183)	260 (221)	325 (276)	361 (306)	432 (367)	481 (408)	547 (464)	610 (518)	683 (580)	770 (654)	866 (736)	962 (817)	1094 (929)
		ND	110	144 (122)	180 (153)	216 (183)	260 (221)	325 (276)	361 (306)	432 (367)	481 (408)	547 (464)	610 (518)	683 (580)	770 (654)	866 (736)	962 (817)
		HD	86	110 (93)	144 (122)	180 (153)	216 (183)	260 (221)	325 (276)	361 (306)	432 (367)	481 (408)	547 (464)	610 (518)	683 (580)	770 (654)	866 (736)
Output	Overload current rating *4	SLD	110% 60s, 120% 3s (inverse time characteristics) ambient temperature 40°C														
		LD	120% 60s, 150% 3s (inverse time characteristics) ambient temperature 50°C														
		ND	150% 60s, 200% 3s (inverse time characteristics) ambient temperature 50°C														
		HD	200% 60s, 250% 3s (inverse time characteristics) ambient temperature 50°C														
Voltage *5		Three-phase 380 to 500V															
Regenerative braking torque	Maximum value/ permissible duty	20% torque/continuous	10% torque/continuous														
Power supply	Rated input AC voltage/frequency		Three-phase 380 to 500V 50Hz/60Hz														
	Permissible AC voltage fluctuation		323 to 528V 50Hz/60H														
	Permissible frequency fluctuation		±5%														
	Power supply capacity (kVA) *7		100	110	137	165	198	248	275	329	367	417	465	521	587	660	733
Protective structure (JEM 1030) *9		Open type (IP00)															
Cooling system		Forced air cooling															
Approx. mass (kg)		37	50	57	72	72	110	110	175	175	175	260	260	370	370	370	

*1. The applicable motor capacity indicated is the maximum capacity applicable for use of the Mitsubishi 4-pole standard motor.
 *2. The rated output capacity indicated assumes that the output voltage is 440V.
 *3. When operating the inverter of 02160 or more with a value larger than 2kHz set in Pr. 72 PWM frequency selection, the rated output current is the value in parenthesis.
 When operating the inverter with the carrier frequency set to 3kHz or more with LD or SLD set, the carrier frequency will automatically decrease if the output current of the inverter exceeds the value in parenthesis of the rated current. This may cause the motor noise to increase.
 *4. The % value of the overload current rating indicates the ratio of the overload current to the inverter's rated output current. For repeated duty, allow time for the inverter and motor to return to or below the temperatures under 100% load.
 *5. The maximum output voltage does not exceed the power supply voltage. The maximum output voltage can be changed within the setting range. However, the pulse voltage value of the inverter output side voltage remains unchanged at about $\sqrt{2}$ that of the power supply.
 *6. With the optional dedicated external brake resistor FR-ABR-H (option), the 00023 to 00250 and 00310 to 00620 will achieve the performance of 100% torque/10%ED and 100% torque/6%ED respectively.
 *7. The power supply capacity varies with the value of the power supply side inverter impedance (including those of the input reactor and cables).
 *8. When the hook of the inverter front cover is cut off for installation of the plug-in option, the inverter changes to an open type (IP00).
 *9. FR-DU07:IP40 (except for the PU connector)



7.2 Common specifications

Control specifications	Control method		Soft-PWM control/high carrier frequency PWM control (selectable from among V/F control, advanced magnetic flux vector control and real sensorless vector control) / vector control (when used with option FR-A7AP)*1.	
	Output frequency range		0.2 to 400Hz	
	Frequency setting resolution	Analog input	0.015Hz/0 to 60Hz (terminal 2, 4: 0 to 10V/12bit) 0.03Hz/0 to 60Hz (terminal 2, 4: 0 to 5V/11bit, 0 to 20mA/about 11bit, terminal 1: 0 to ±10V/12bit) 0.06Hz/0 to 60Hz (terminal 1: 0 to ±5V/11bit)	
		Digital input	0.01Hz	
	Frequency accuracy	Analog input	Within ±0.2% of the max. output frequency (25°C±10°C)	
		Digital input	Within 0.01% of the set output frequency	
	Voltage/frequency characteristics		Base frequency can be set from 0 to 400Hz. Constant torque/variable torque pattern or adjustable 5 points V/F can be selected	
	Starting torque		200% 0.3Hz (0.4K to 3.7K), 150% 0.3Hz (5.5K or more) (under real sensorless vector control or vector control)	
	Torque boost		Manual torque boost	
	Acceleration/deceleration time setting		0 to 3600s (acceleration and deceleration can be set individually), linear or S-pattern acceleration/deceleration mode, backlash measures acceleration/deceleration can be selected.	
	DC injection brake		Operation frequency (0 to 120Hz), operation time (0 to 10s), operation voltage (0 to 30%) variable	
	Stall prevention operation level		Operation current level can be set (0 to 220% adjustable), whether to use the function or not can be selected	
	Torque limit level		Torque limit value can be set (0 to 400% variable)	
Operation specifications	Frequency setting signal	Analog input	• Terminal 2, 4: 0 to 10V, 0 to 5V, 4 to 20mA can be selected • Terminal 1: -10 to +10V, -5 to +5V can be selected	
		Digital input	Input using the setting dial of the operation panel or parameter unit Four-digit BCD or 16 bit binary (when used with option FR-A7AX)	
	Start signal		Forward and reverse rotation or start signal automatic self-holding input (3-wire input) can be selected.	
	Input signals		You can select any twelve signals using Pr. 178 to Pr. 189 (input terminal function selection) from among multi speed selection, remote setting, stop-on-contact, second function selection, third function selection, terminal 4 input selection, JOG operation selection, selection of automatic restart after instantaneous power failure, flying start, external thermal relay input, inverter operation enable signal (FR-HC/FR-CV connection), FR-HC connection (instantaneous power failure detection), PU operation/external inter lock signal, external DC injection brake operation start, PID control enable terminal, brake opening completion signal, PU operation/external operation switchover, load pattern selection forward rotation reverse rotation boost, V/F switching, load torque high-speed frequency, S-pattern acceleration/deceleration C switchover, pre-excitation, output stop, start self-holding selection, control mode changing, torque limit selection, start-time tuning start external input, torque bias selection 1, 2*1., P/Pi control switchover, traverse function selection, forward rotation command, reverse rotation command, inverter reset, PTC thermistor input, PID forward reverse operation switchover, PU-NET operation switchover, NET-external operation switchover, and command source switchover, conditional position pulse train sign *1., conditional position droop pulse clear *1..	
	Pulse train input		100kpps	
	Operational functions		Maximum/minimum frequency setting, frequency jump operation, external thermal relay input selection, polarity reversible operation, automatic restart after instantaneous power failure operation, electronic bypass operation, forward/reverse rotation prevention, remote setting, brake sequence, second function, third function, multi-speed operation, original operation continuation at instantaneous power failure, stop-on-contact control, load torque high speed frequency control, droop control, regeneration avoidance, slip compensation, operation mode selection, offline auto tuning function, online auto tuning function, PID control, computer link operation (RS-485), motor end orientation*1., machine end orientation*1., pre-excitation, notch filter, machine analyzer*1., easy gain tuning, speed feed forward, and torque bias*1.	
	Output signals	Operating status		You can select any signals using Pr. 190 to Pr. 196 (output terminal function selection) from among inverter running, up-to-frequency, instantaneous power failure/undervoltage, overload warning, output frequency (speed) detection, second output frequency (speed) detection, third output frequency (speed) detection, regenerative brake prealarm, electronic thermal relay function pre-alarm, PU operation mode, inverter operation ready, output current detection, zero current detection, PID lower limit, PID upper limit, PID forward rotation reverse rotation output, electronic bypass MC1, electronic bypass MC2, electronic bypass MC3, orientation completion*1., brake opening request, fan fault output, heatsink overheat pre-alarm, inverter running/start command on, deceleration at an instantaneous power failure, PID control activated, during retry, PID output interruption, life alarm, alarm output 1, 2, 3 (power-off signal), power savings average value update timing, current average monitor, maintenance timer alarm, remote output, forward rotation output*1., reverse rotation output*1., low speed output, torque detection, regenerative status output*1., start-time tuning completion, in-position completion*1., minor failure output and alarm output. Open collector output (5 points), relay output (2 points) and alarm code of the inverter can be output (4 bit) from the open collector.
		When used with the FR-A7AY, FR-A7AR (option)		In addition to the above, you can select any signals using Pr. 313 to Pr. 319 (extension output terminal function selection) from among control circuit capacitor life, main circuit capacitor life, cooling fan life, inrush current limit circuit life. (only positive logic can be set for extension terminals of the FR-A7AR)
		Analog output		You can select any signals using Pr. 54 FM terminal function selection (pulse train output) and Pr. 158 AM terminal function selection (analog output) from among output frequency, motor current (steady or peak value), output voltage, frequency setting, operation speed, motor torque, converter output voltage (steady or peak value), electronic thermal relay function load factor, input power, output power, load meter, motor excitation current, reference voltage output, motor load factor, power saving effect, regenerative brake duty, PID set point, PID measured value, PLC function output, motor output, torque command, torque current command, and torque monitor.
	Indication	PU (FR-DU07/FR-PU07/FR-PU04)	Operating status	
Alarm definition			Alarm definition is displayed during the protective function is activated, the output voltage/current/frequency/cumulative energization time right before the protection function was activated and past 8 alarm definitions are stored.	
Interactive guidance			Operation guide/trouble shooting with a help function*3.	
Protective/warning function		Overcurrent during acceleration, overcurrent during constant speed, overcurrent during deceleration, overvoltage during acceleration, overvoltage during constant speed, overvoltage during deceleration, inverter protection thermal operation, motor protection thermal operation, heatsink overheat, instantaneous power failure occurrence, undervoltage, input phase failure, motor overload, output side earth (ground) fault overcurrent, output short circuit, main circuit element overheat, output phase failure, external thermal relay operation, PTC thermistor operation, option alarm, parameter error, PU disconnection, retry count excess, CPU alarm, operation panel power supply short circuit, 24VDC power output short circuit, output current detection value excess, inrush current limit circuit alarm, communication alarm (inverter), USB error, opposite rotation deceleration error, analog input error, fan fault, overcurrent stall prevention, overvoltage stall prevention, regenerative brake prealarm, electronic thermal relay function prealarm, PU stop, maintenance timer alarm*2., brake transistor alarm, parameter write error, copy operation error, operation panel lock, parameter copy alarm, speed limit indication, encoder no-signal*1., speed deviation large*1., overspeed*1., position error large*1., encoder phase error*1.		
Environment	Ambient temperature		-10°C to +50°C (non-freezing)	
	Ambient humidity		90%RH maximum (non-condensing)	
	Storage temperature*4.		-20°C to +65°C	
	Atmosphere		Indoors (without corrosive gas, flammable gas, oil mist, dust and dirt etc.)	
	Altitude/vibration		Maximum 1000m above sea level, 5.9m/s ² or less *5. (conforms to JIS C 60068-2-6)	

*1. Available only when the option (FR-A7AP) is mounted

*2. Can be displayed only on the operation panel (FR-DU07).

*3. Can be displayed only on the parameter unit (FR-PU07/FR-PU04).

*4. Temperature applicable for a short period in transit, etc.

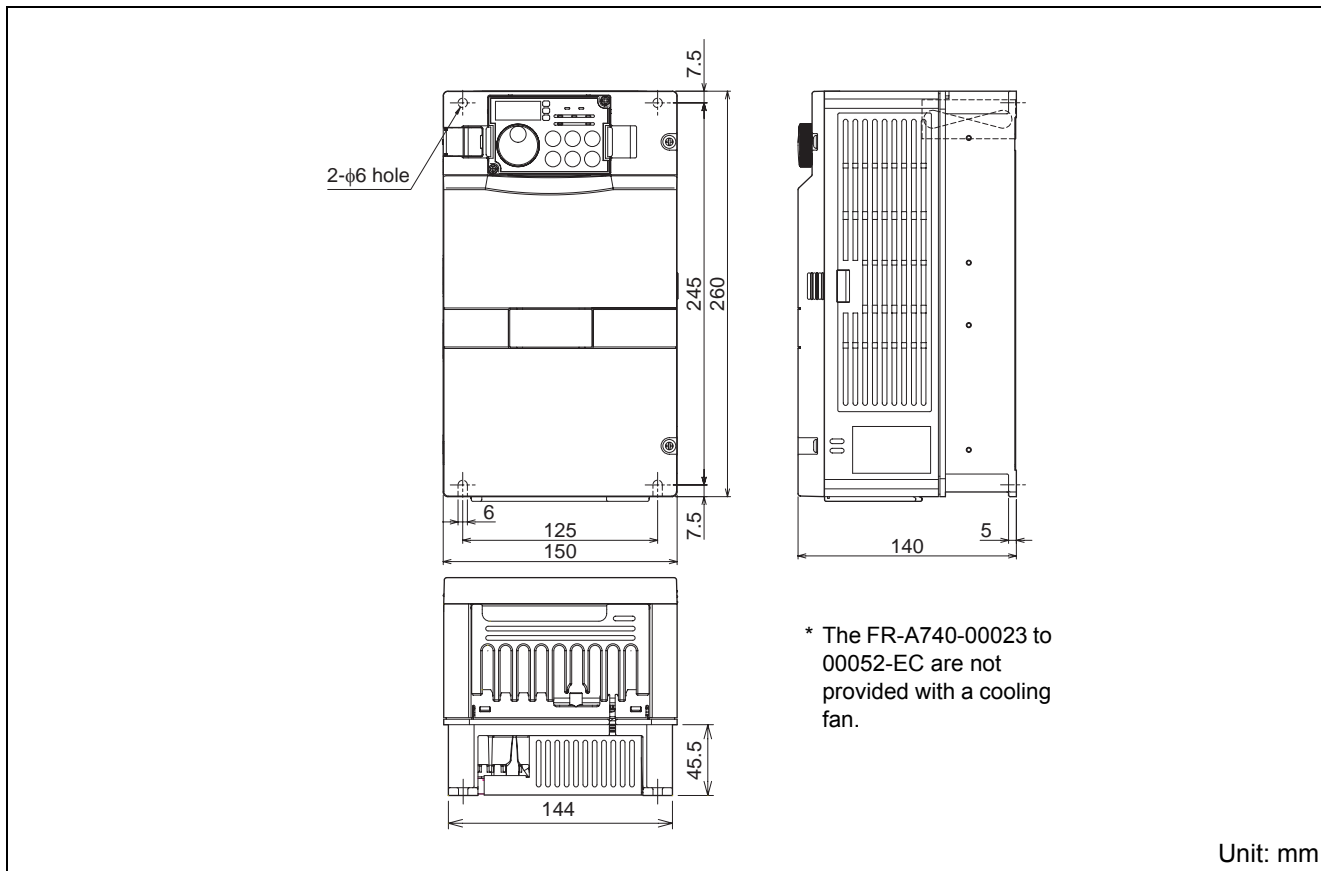
*5. 2.9m/s² or less for the 04320 or more.



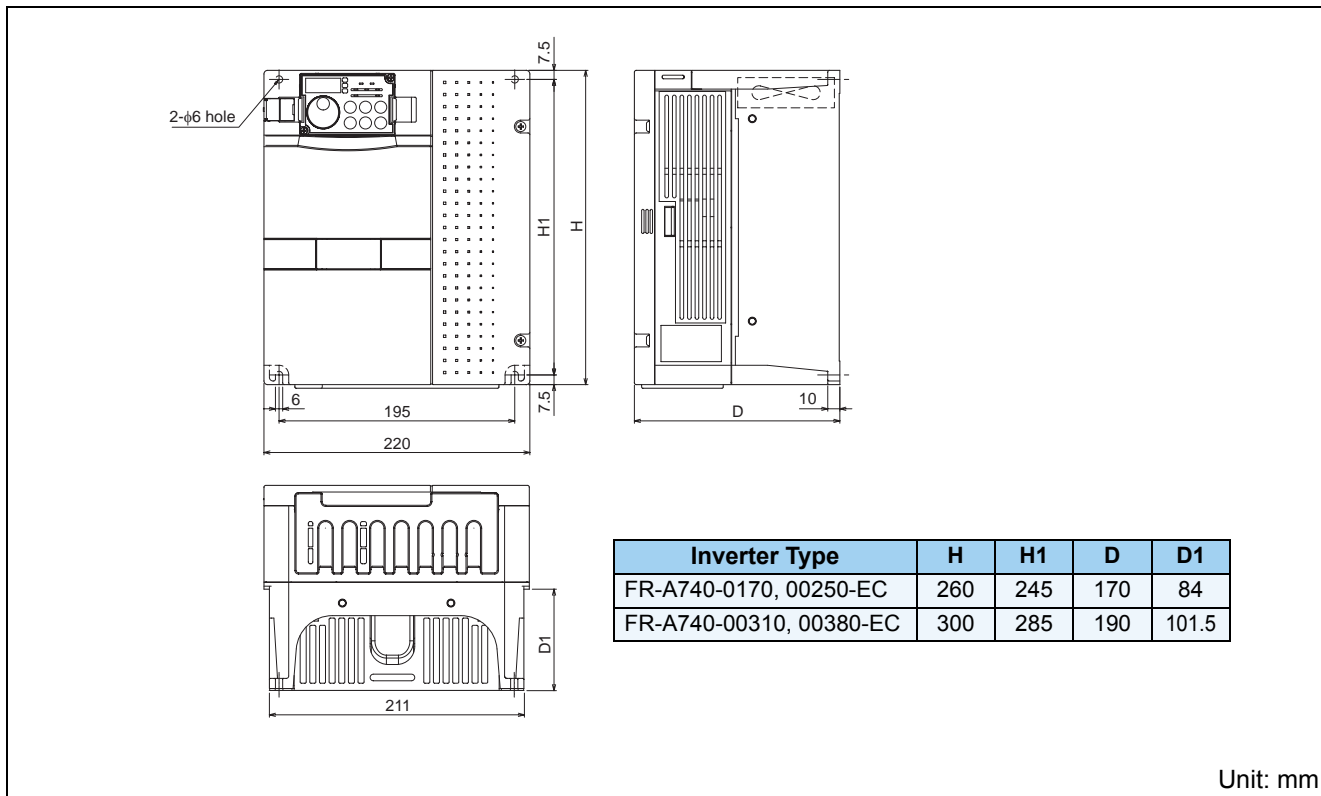
7.3 Outline dimension drawings

7.3.1 Inverter outline dimension drawings

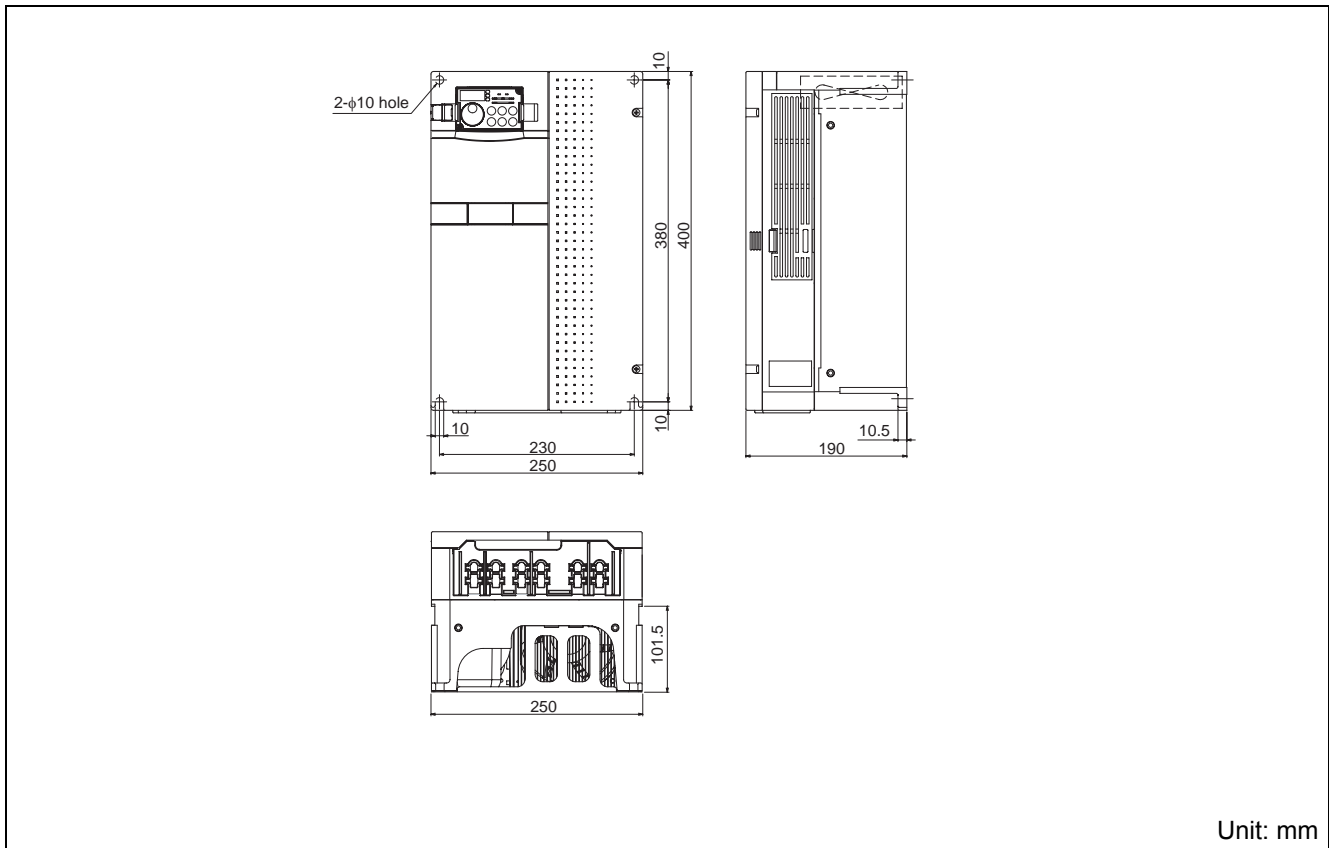
●FR-A740-00023, 00038, 00052, 00083, 00126-EC



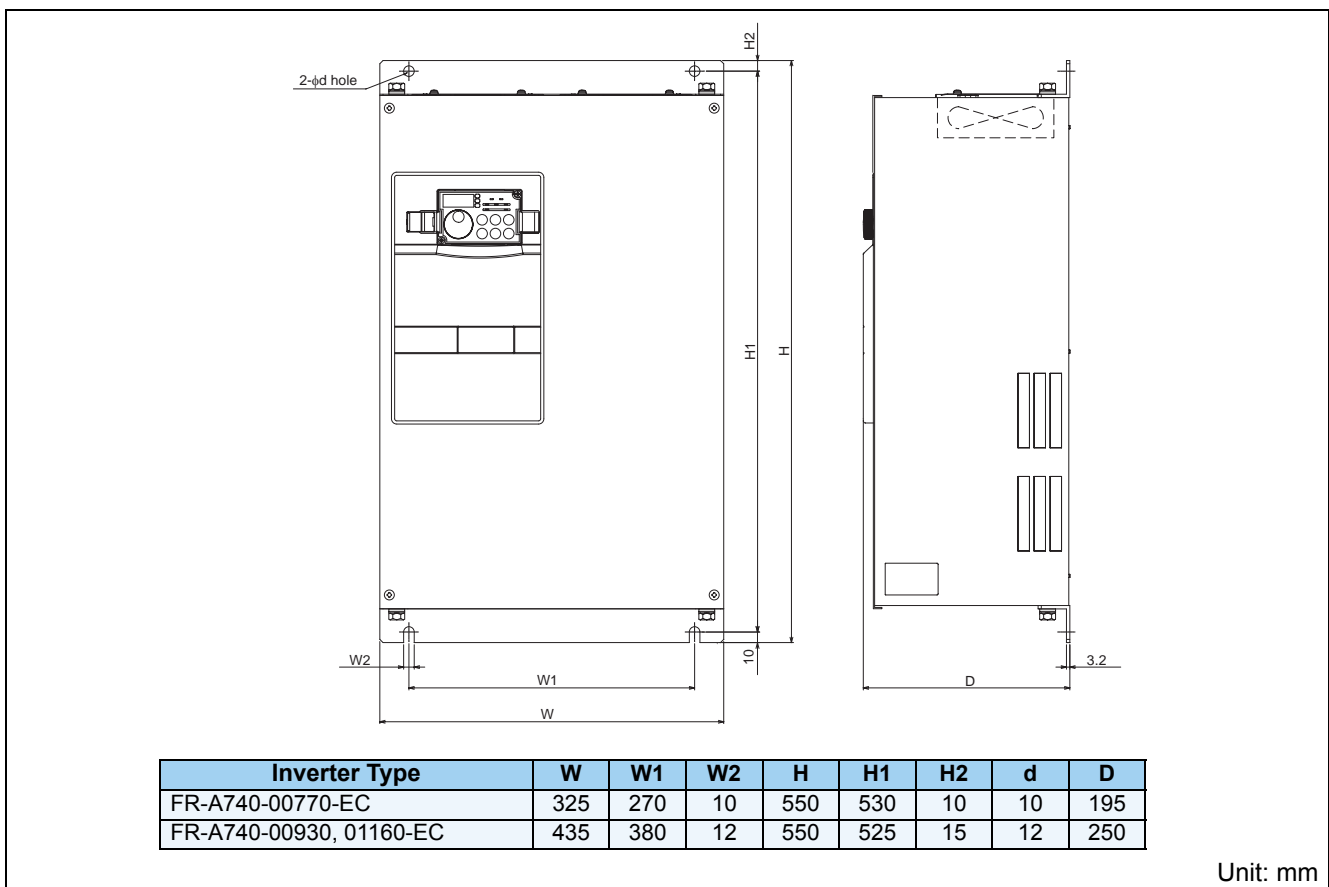
●FR-A740-00170, 00250, 00310, 00380-EC



●FR-A740-00470, 00620-EC

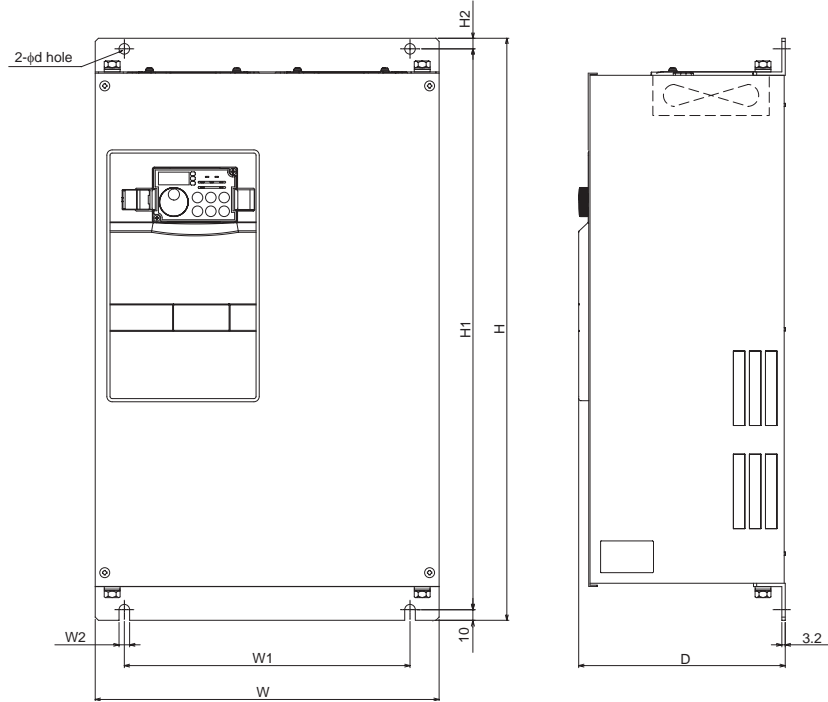


●FR-A740-00770, 00930, 01160-EC



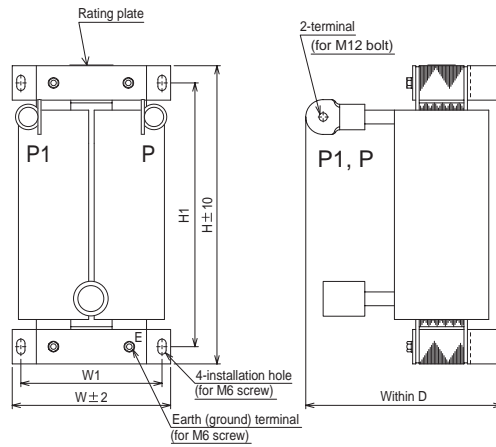


●FR-A740-01800-EC



Inverter Type	W	W1	W2	H	H1	H2	d	D
FR-A740-01800-EC	435	380	12	550	525	15	12	250

●DC reactor supplied

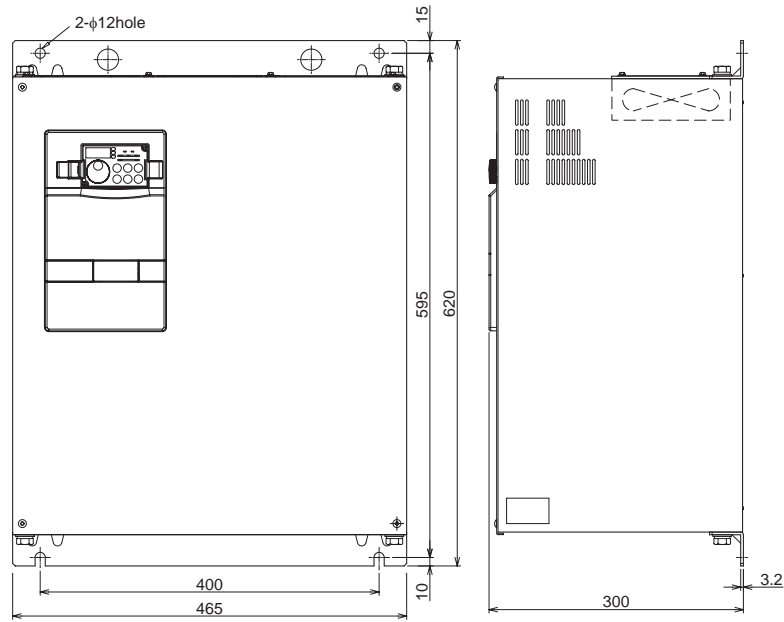


DC Reactor Type	W	W1	H	H1	D	Mass (Kg)
FR-HEL-H90K (FR-A740-01800-EC)	150	130	340	310	190	20

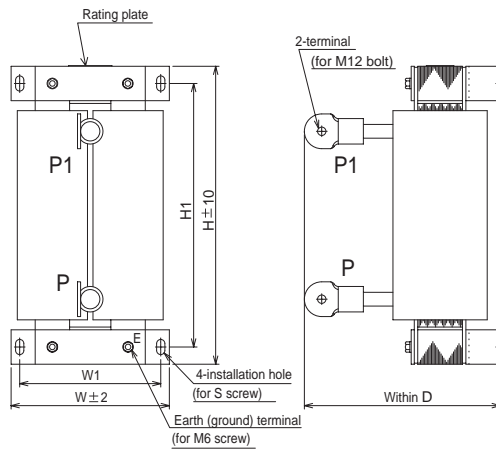
Unit: mm



●FR-A740-02160, 02600-EC



●DC reactor supplied

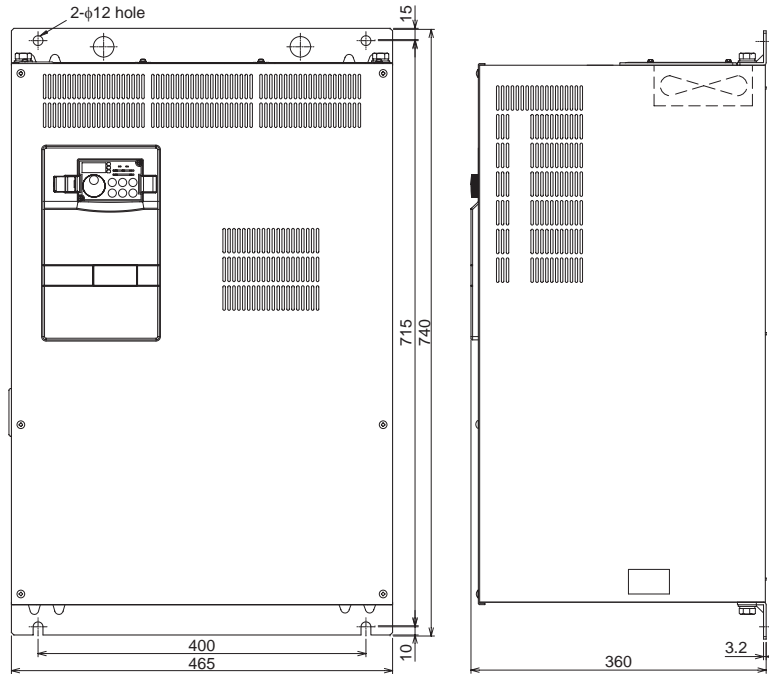


DC Reactor Type	W	W1	H	H1	D	S	Mass (Kg)
FR-HEL-H110K (FR-A740-02160-EC)	150	130	340	310	195	M6	22
FR-HEL-H132K (FR-A740-02600-EC)	175	150	405	370	200	M8	26

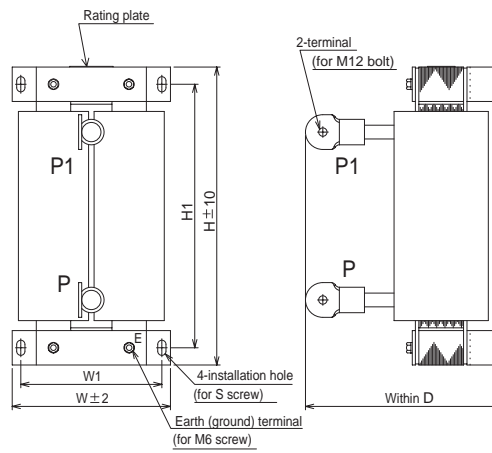
Unit: mm



●FR-A740-03250, 03610-EC



●DC reactor supplied



DC Reactor Type	W	W1	H	H1	D	S	Mass (Kg)
FR-HEL-H160K (FR-A740-03250-EC)	175	150	405	370	205	M8	28
FR-HEL-H185K (FR-A740-03610-EC)	175	150	405	370	240	M8	29

Unit: mm



●FR-A740-04320, 04810-EC

3-φ12 hole

15

985

1010

10

49

200

200

12

498

380

3.2

450

148.5

214.5

185

●DC reactor supplied

Rating plate

2-S2 eye nut

P1

P

H1±10

H±10

W1±1

W±2

4-installation hole (for S screw)

Earth (ground) terminal (for S1 screw)

2-terminal (for φ bolt)

P1

P

Within D

* Remove the eye nut after installation of the product.

DC Reactor Type	W	W1	H	H1	D	S	S1	S2	φ	Mass (Kg)
FR-HEL-H220K (FR-A740-04320-EC)	175	150	405	370	240	M8	M6	M6	M12	30
FR-HEL-H250K (FR-A740-04810-EC)	190	165	440	400	250	M8	M8	M8	M12	35

Unit: mm

●FR-A740-05470, 06100, 06830-EC

3-φ12 hole

12

984

1010

680

300

300

380

3.2

148

214

185

R/L1 | T/L3 | P1 | U | W

S/L2 | N/- | P/+ | V

●DC reactor supplied

Rating plate

2-S2 eye nut

P1

P

H1±10

H±10

W1±1

W±2

4-installation hole (for S screw)

Earth (ground) terminal (for S1 screw)

2-terminal (for φ bolt)

P1

P

Within D

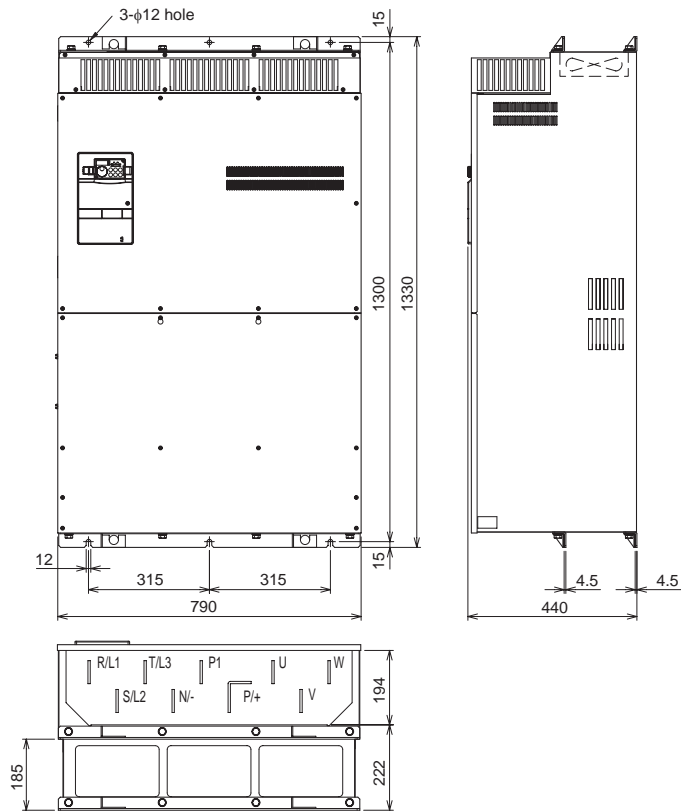
* Remove the eye nut after installation of the product.

DC Reactor Type	W	W1	H	H1	D	S	S1	S2	φ	Mass (Kg)
FR-HEL-H280K (FR-A740-05470-EC)	190	165	440	400	255	M8	M8	M8	M16	38
FR-HEL-H315K (FR-A740-06100-EC)	210	185	495	450	250	M10	M8	M8	M16	42
FR-HEL-H355K (FR-A740-06830-EC)	210	185	495	450	250	M10	M8	M8	M16	46

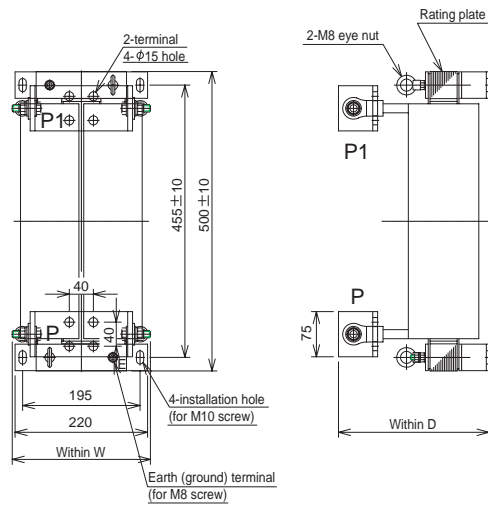
Unit: mm



●FR-A740-07700, 08660-EC



●DC reactor supplied

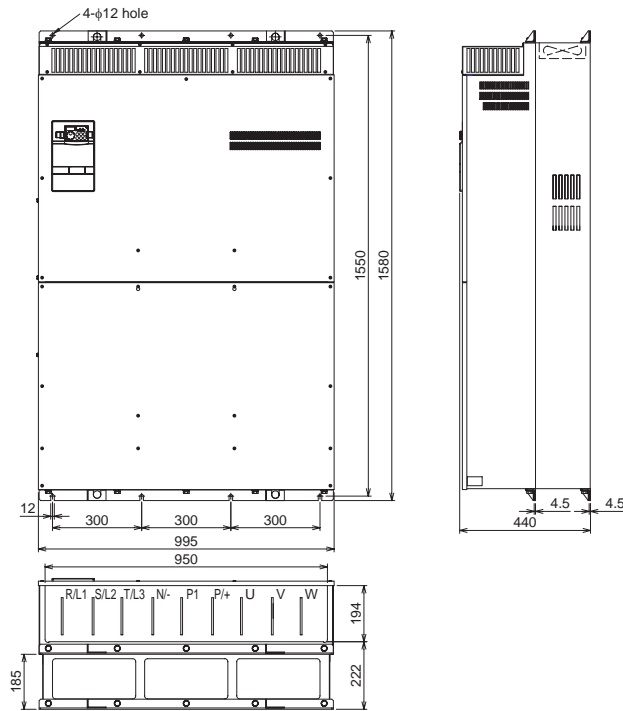


* Remove the eye nut after installation of the product.

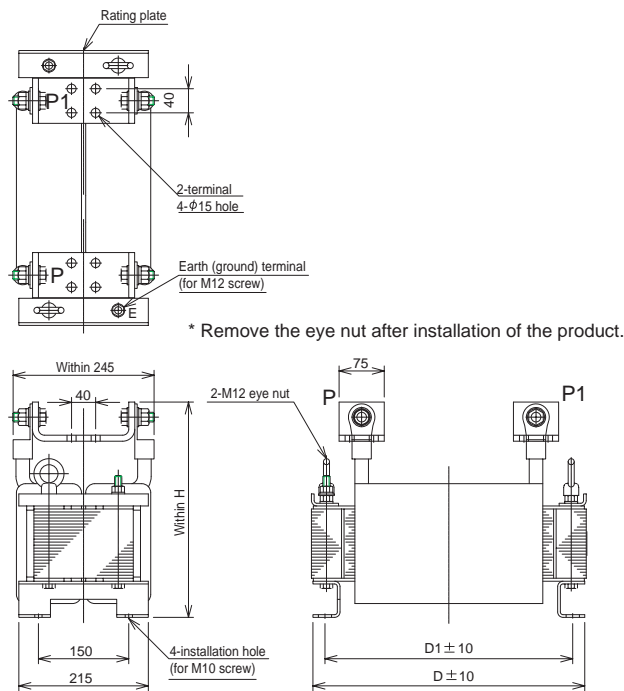
DC Reactor Type	W	D	Mass (Kg)
FR-HEL-H400K (FR-A740-07700-EC)	235	250	50
FR-HEL-H450K (FR-A740-08660-EC)	240	270	57

Unit: mm

●FR-A740-09620, 10940, 12120-EC



●DC reactor supplied

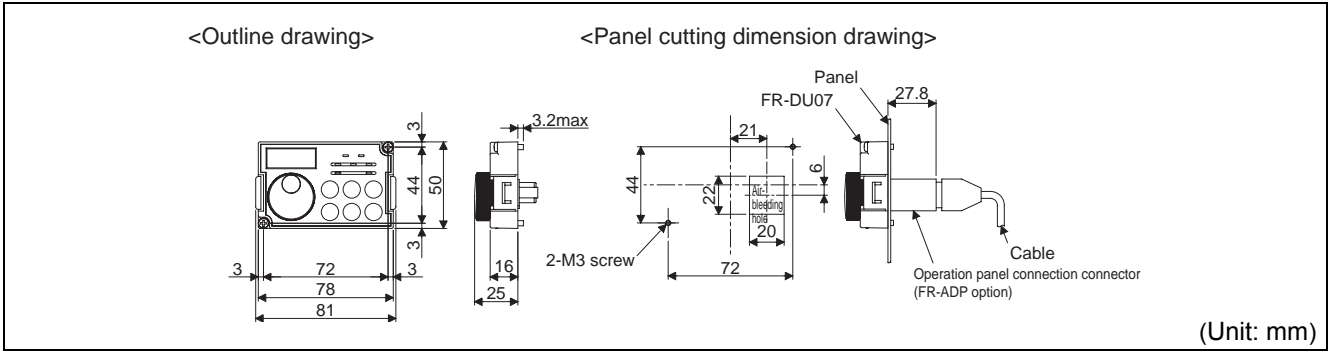


DC Reactor Type	H	D	D1	Mass (Kg)
FR-HEL-H500K (FR-A740-09620-EC)	345	455	405	67
FR-HEL-H560K (FR-A740-10940-EC)	360	460	410	85
FR-HEL-H630K (FR-A740-12120-EC)	360	460	410	95

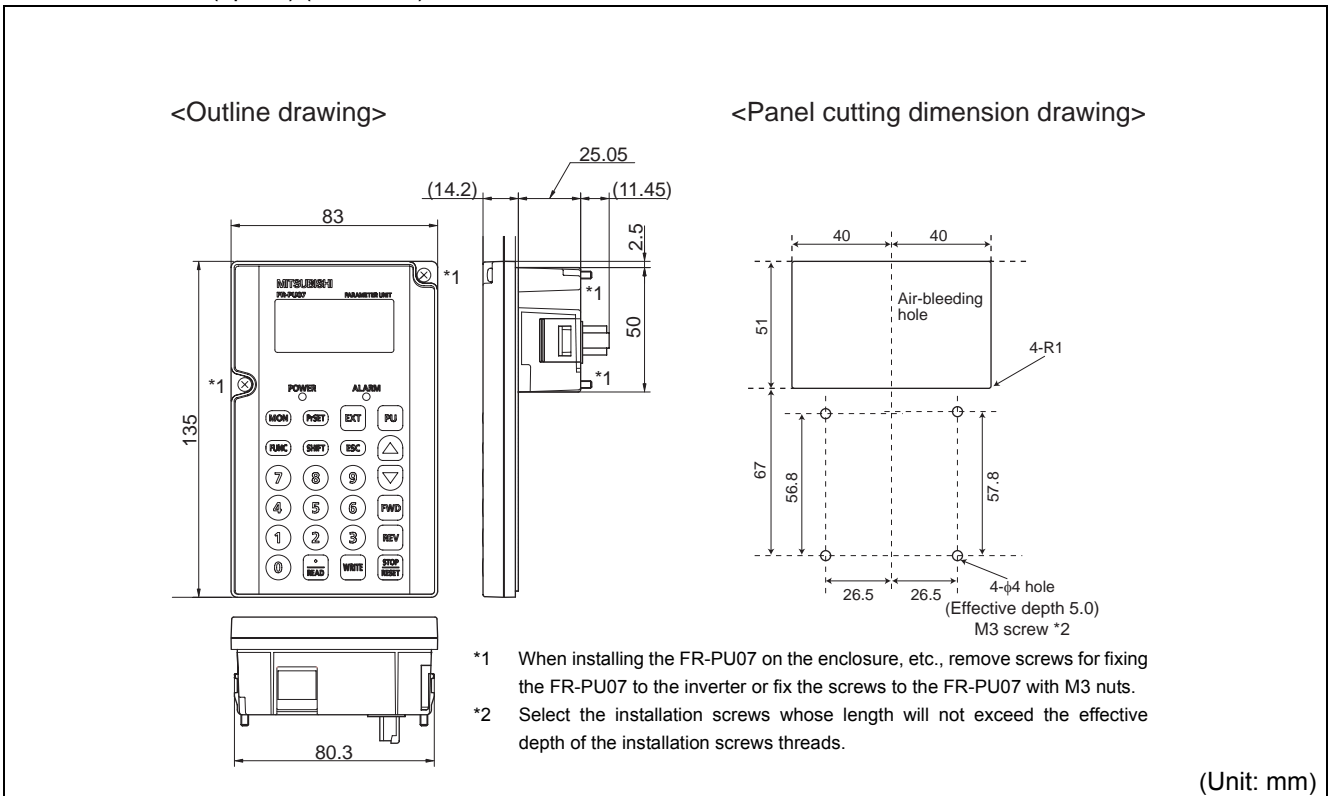
Unit: mm



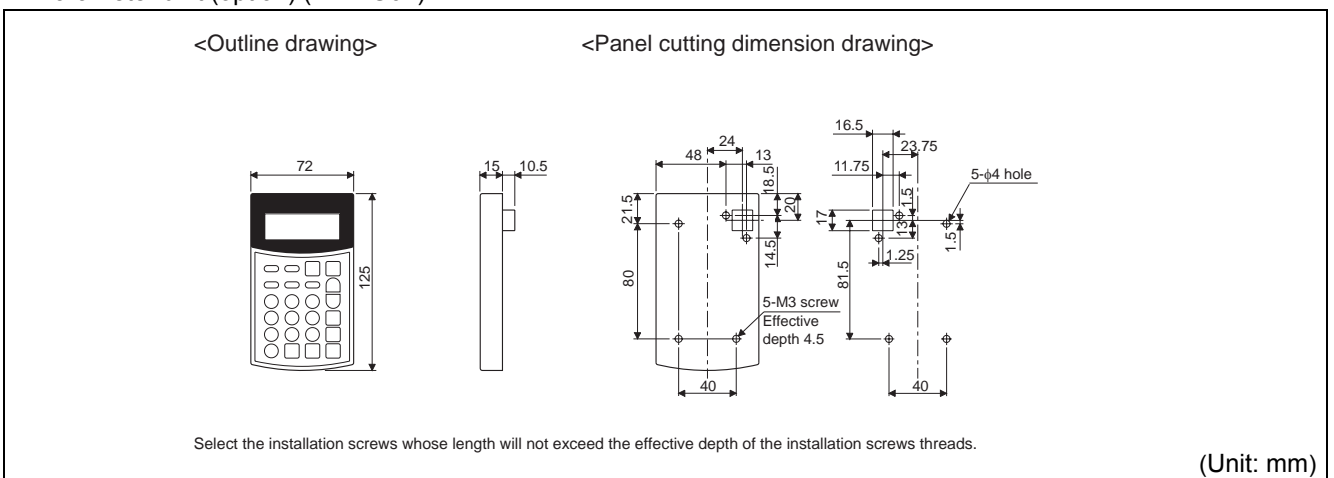
● Operation panel (FR-DU07)



● Parameter unit (option) (FR-PU07)



● Parameter unit (option) (FR-PU04)



7.4 Heatsink protrusion attachment procedure

When encasing the inverter in an enclosure, the generated heat amount in an enclosure can be greatly reduced by installing the heatsink portion of the inverter outside the enclosure. When installing the inverter in a compact enclosure, etc., this installation method is recommended.

7.4.1 When using a heatsink protrusion attachment (FR-A7CN)

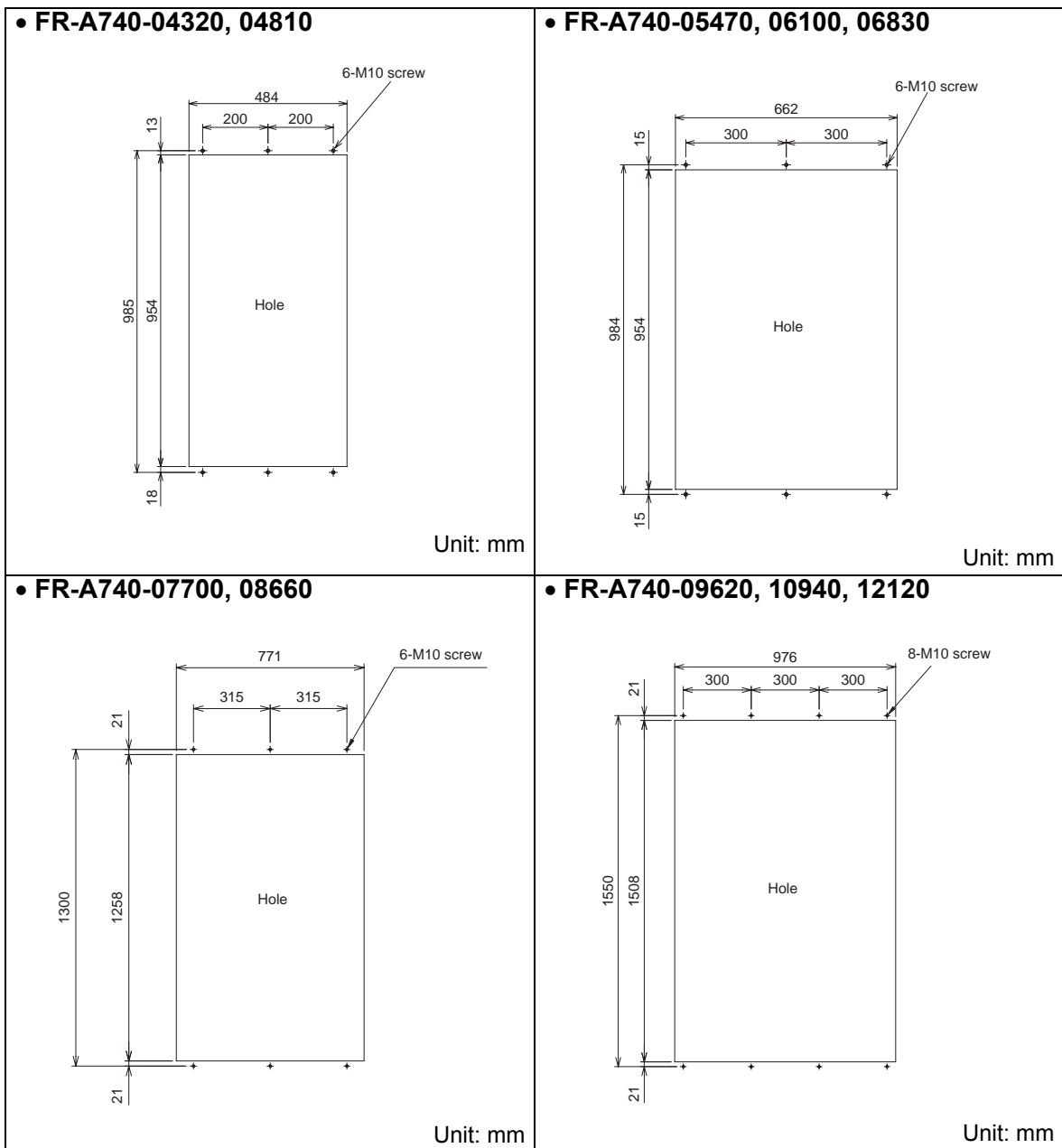
For the FR-A740-00023 to 03610, a heatsink can be protruded outside the enclosure using a heatsink protrusion attachment (FR-A7CN). (For the FR-A740-04320 or more, attachment is not necessary when the heatsink is to be protruded.)

For a panel cut dimension drawing and an installation procedure of the heatsink protrusion attachment (FR-A7CN) to the inverter, refer to a manual of "heatsink protrusion attachment".

7.4.2 Protrusion of heatsink of the FR-A740-04320 or more

(1) Panel cutting

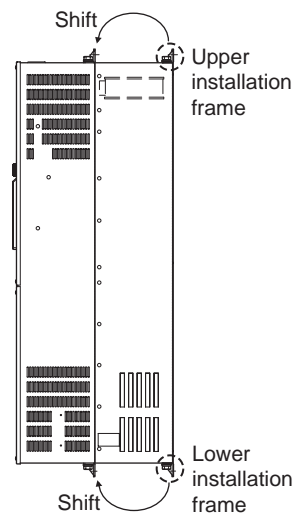
Cut the panel of the enclosure according to the inverter capacity.



(2) Shift and removal of a rear side installation frame

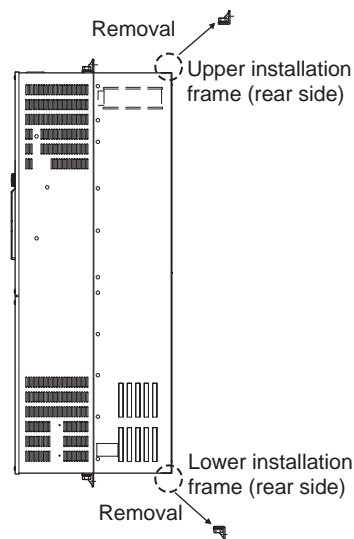
• **FR-A740-04320 to 06830**

One installation frame is attached to each of the upper and lower parts of the inverter. Change the position of the rear side installation frame on the upper and lower sides of the inverter to the front side as shown on the right. When changing the installation frames, make sure that the installation orientation is correct.



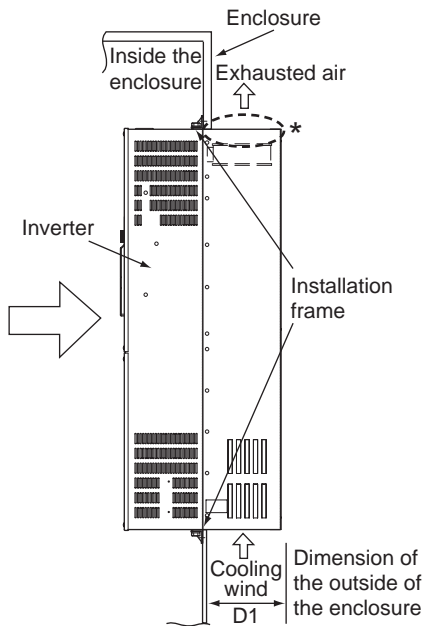
• **FR-A740-07700 or more**

Two installation frames each are attached to the upper and lower parts of the inverter. Remove the rear side installation frame on the upper and lower sides of the inverter as shown on the right.

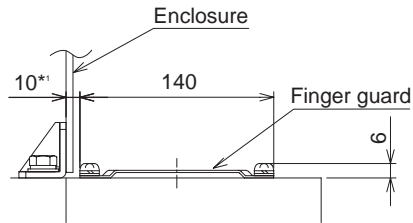


(3) Installation of the inverter

Push the inverter heatsink portion outside the enclosure and fix the enclosure and inverter with upper and lower installation frame.



* For the FR-A740-04320 or more, there are finger guards behind the enclosure. Therefore, the thickness of the panel should be less than 10mm (*1) and also do not place anything around finger guards to avoid contact with the finger guards.



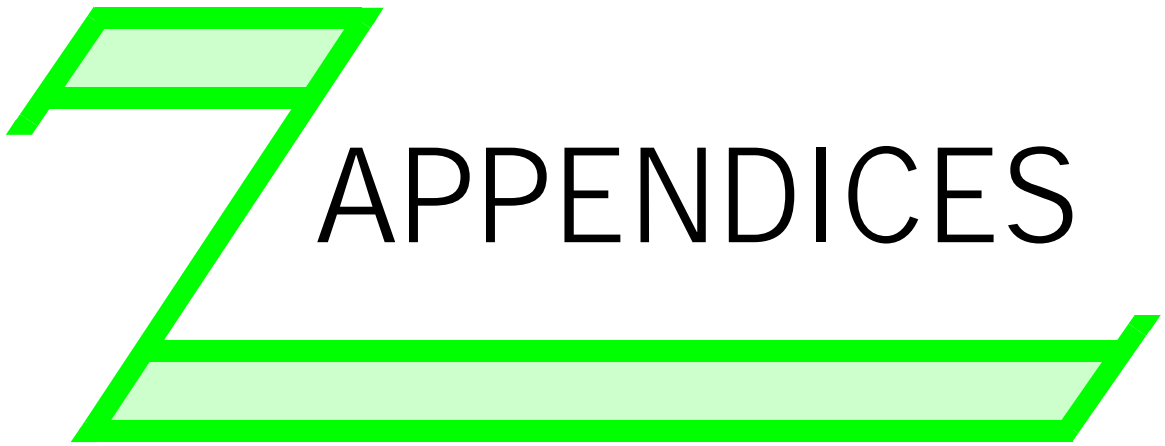
Inverter Type	D1
FR-A740-04320, 04810	185
FR-A740-05470 to 12120	184

Unit: mm

CAUTION

- Having a cooling fan, the cooling section which comes out of the enclosure can not be used in the environment of water drops, oil, mist, dust, etc.
- Be careful not to drop screws, dust etc. into the inverter and cooling fan section.

MEMO



APPENDICES

This chapter provides the "APPENDICES" of this product.
Always read the instructions before using the equipment.

Appendix 1 For customers who have replaced the older model with this inverter

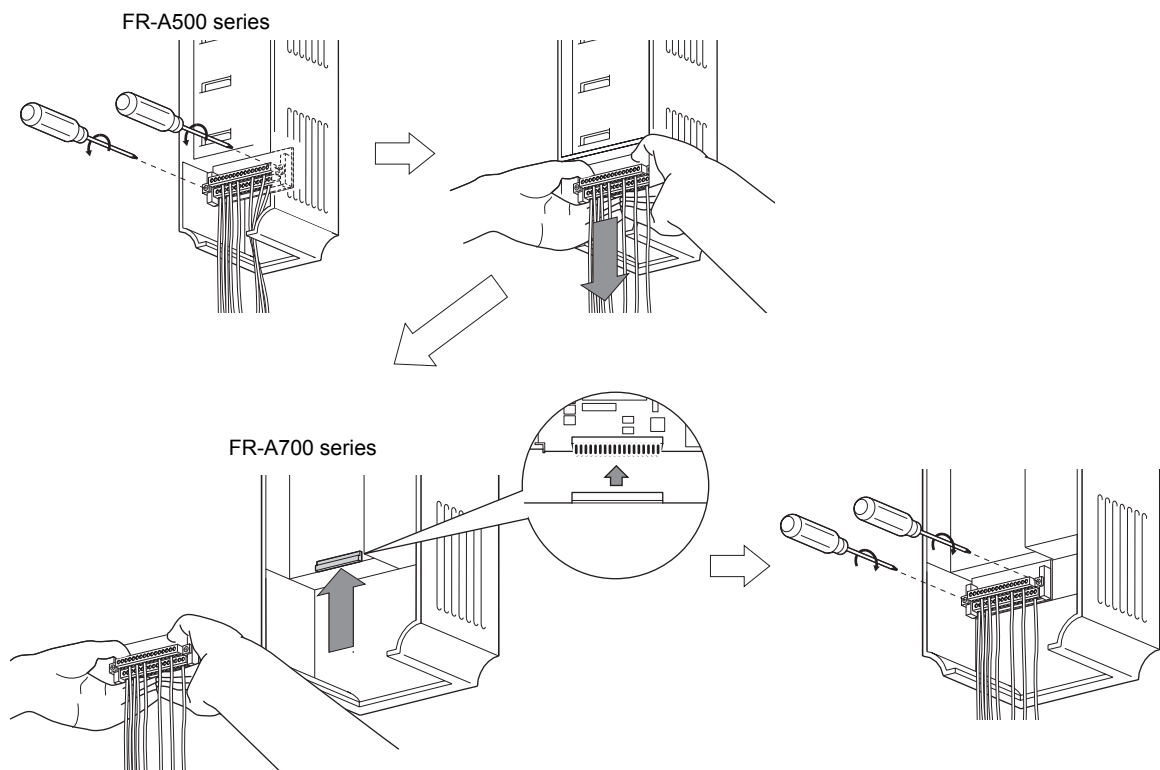
Appendix 1-1 Replacement of the FR-A500 series

(1) Instructions for installation

- 1) Removal procedure of the front cover was changed. (with screws) Please note. (Refer to page 5.)
- 2) Removal procedure of the operation panel was changed. (with screws) Please note. (Refer to page 5.)
- 3) Plug-in options of the A500 series are not compatible
- 4) Operation panel (FR-DU04) can not be used.
- 5) Setup software (FR-SW0-SETUP/FR-SW1-SETUP) can not be used.

(2) Wiring instructions

- 1) The control circuit terminal block can be used for the FR-A700 series without removing wiring. Note that the wiring cover (00023 to 00620) is not compatible.



(Note that the relay output 2 (A2, B2, C2) specific for the FR-A700 series can not be used with the FR-A500 series terminals.)

(3) Instructions for continuous use of the FR-PU04 (parameter unit)

- 1) For the FR-A700 series, many functions (parameters) have been added. When setting these parameters, the parameter name and setting range are not displayed. User initial value list and user clear of the HELP function can not be used.
- 2) For the FR-A700 series, many protective functions have been added. These functions activate, but all alarms are displayed as "Fault 14". When the alarm history has been checked, "E.14" appears. Added alarm display will not appear on the parameter unit.
- 3) User initial value setting can not be used.
- 4) User registration/clear (user group 2) can not be used.
- 5) Parameter copy/verification function can not be used.

(4) Parameter resetting

It is easy if you use setup software (FR-Configurator).

(5) Main differences and compatibilities with the FR-A500(L) series

Item	FR-A500(L)	FR-A700
Control method	V/F control Advanced magnetic flux vector control	V/F control Advanced magnetic flux vector control Real sensorless vector control Vector control (used with a plug-in option FR-A7AP)
Changed/cleared functions	User group 1 (16), user group 2 (16) (Pr. 160, Pr. 173 to Pr. 175)	User group (16) only Setting methods were partially changed (Pr. 160, Pr. 172 to Pr. 173)
	User initial value setting (Pr. 199)	User initial value setting (Pr. 199) was cleared Substitutable with the copy function of the operation panel (FR-DU07)
	Long wiring mode (Pr. 240 setting 10, 11)	Setting is not necessary (Pr. 240 settings "10" and "11" were cleared)
	Intelligent mode selection (Pr. 60)	Parameter number change (Pr. 60 Energy saving control selection) (Pr. 292 Automatic acceleration/deceleration)
	Program operation (Pr. 200 to Pr. 231)	Function was cleared
Terminal block	Removable terminal block	Removable terminal block Upward compatibility (A500 terminal block mountable)
PU	FR-PU04, DU04	FR-PU07 FR-DU07 FR-PU04 (Some functions, such as parameter copy, are unavailable.) FR-DU04 unavailable
Plug-in options	Dedicated plug-in option (incompatible)	
	Computer link, relay output option FR-A5NR	Built into the inverter (RS-485 terminals, relay output 2 points)
Installation size	<ul style="list-style-type: none"> · FR-A740-00023 to 00250, 00470 to 01800, 03250, 04320 are compatible in mounting dimensions · For the FR-A740-00310, 00380, an optional intercompatibility attachment (FR-AAT) is necessary. · Heatsink protrusion attachment is not compatible. · Also, the panel cut dimension of 00023 to 00126, 00310, 00380, 02160 or more is not compatible. 	

Appendix 1-2 Replacement of the FR-A200 <EXCELENT> series

Instructions for installation

- When using the installation holes of the FR-A200(E) series, FR-A5AT (intercompatibility attachment) is necessary.

Appendix 2 Control mode-based parameter (function) correspondence table and instruction code list

*1 These instruction codes are used for parameter read and write by using Mitsubishi inverter protocol with the RS-485 communication.
(Refer to *page 314* for RS-485 communication)

*2 Validity and invalidity according to operation mode are as follows:

○:Usable parameter

×:Unusable parameter

△:Parameters available only during position control set by parameter

*3 "○" indicates valid and "×" indicates invalid of "parameter copy", "parameter clear", and "all parameter clear".

Symbols in the table indicate parameters which function when an option is mounted.

AX FR-A7AX, AY FR-A7AY, AR FR-A7AR, AP FR-A7AP, NC FR-A7NC, ND FR-A7ND,

NL FR-A7NL, NP FR-A7NP, NCA FR-A7NCA

Parameter	Name	Instruction Code *1			Control Mode-based Correspondence Table *2							Parameter Copy *3	Parameter Clear *3	All Parameter Clear *3
		Read	Write	Extended	V/F Control	Advanced magnetic flux vector control	Vector control			Real sensorless vector control				
							Speed control	Torque control	Position control	Speed control	Torque control			
0	Torque boost	00	80	0	○	×	×	×	×	×	×	○	○	○
1	Maximum frequency	01	81	0	○	○	○	○	○	○	○	○	○	○
2	Minimum frequency	02	82	0	○	○	○	○	×	○	○	○	○	○
3	Base frequency	03	83	0	○	×	×	×	×	×	×	○	○	○
4	Multi-speed setting (high speed)	04	84	0	○	○	○	○	△	○	○	○	○	○
5	Multi-speed setting (middle speed)	05	85	0	○	○	○	○	△	○	○	○	○	○
6	Multi-speed setting (low speed)	06	86	0	○	○	○	○	△	○	○	○	○	○
7	Acceleration time	07	87	0	○	○	○	○	△	○	○	○	○	○
8	Deceleration time	08	88	0	○	○	○	○	△	○	○	○	○	○
9	Electronic thermal O/L relay	09	89	0	○	○	○	○	○	○	○	○	○	○
10	DC injection brake operation frequency	0A	8A	0	○	○	○	○	×	○	○	○	○	○
11	DC injection brake operation time	0B	8B	0	○	○	○	○	×	○	○	○	○	○
12	DC injection brake operation voltage	0C	8C	0	○	○	×	×	×	×	×	○	○	○
13	Starting frequency	0D	8D	0	○	○	○	○	×	○	○	○	○	○
14	Load pattern selection	0E	8E	0	○	×	×	×	×	×	×	○	○	○
15	Jog frequency	0F	8F	0	○	○	○	○	×	○	○	○	○	○
16	Jog acceleration/ deceleration time	10	90	0	○	○	○	○	×	○	○	○	○	○
17	MRS input selection	11	91	0	○	○	○	○	○	○	○	○	○	○
18	High speed maximum frequency	12	92	0	○	○	×	×	×	×	×	○	○	○
19	Base frequency voltage	13	93	0	○	×	×	×	×	×	×	○	○	○
20	Acceleration/deceleration reference frequency	14	94	0	○	○	○	○	△	○	○	○	○	○
21	Acceleration/deceleration time increments	15	95	0	○	○	○	○	△	○	○	○	○	○
22	Stall prevention operation level (Torque limit level)	16	96	0	○	○	○	×	○	○	×	○	○	○
23	Stall prevention operation level compensation factor at double speed	17	97	0	○	○	×	×	×	×	×	○	○	○
24	Multi-speed setting (speed4)	18	98	0	○	○	○	○	△	○	○	○	○	○
25	Multi-speed setting (speed 5)	19	99	0	○	○	○	○	△	○	○	○	○	○
26	Multi-speed setting (speed 6)	1A	9A	0	○	○	○	○	△	○	○	○	○	○
27	Multi-speed setting (speed 7)	1B	9B	0	○	○	○	○	△	○	○	○	○	○
28	Multi-speed input compensation selection	1C	9C	0	○	○	○	○	×	○	○	○	○	○
29	Acceleration/deceleration pattern selection	1D	9D	0	○	○	○	○	×	○	○	○	○	○

Parameter	Name	Instruction Code *1			Control Mode-based Correspondence Table *2							Parameter Copy *3	Parameter Clear *3	All Parameter Clear *3
		Read	Write	Extended	V/F Control	Advanced magnetic flux vector control	Vector control			Real sensorless vector control				
							Speed control	Torque control	Position control	Speed control	Torque control			
30	Regenerative function selection	1E	9E	0	○	○	○	○	○	○	○	○	○	○
31	Frequency jump 1A	1F	9F	0	○	○	○	○	×	○	○	○	○	○
32	Frequency jump 1B	20	A0	0	○	○	○	○	×	○	○	○	○	○
33	Frequency jump 2A	21	A1	0	○	○	○	○	×	○	○	○	○	○
34	Frequency jump 2B	22	A2	0	○	○	○	○	×	○	○	○	○	○
35	Frequency jump 3A	23	A3	0	○	○	○	○	×	○	○	○	○	○
36	Frequency jump 3B	24	A4	0	○	○	○	○	×	○	○	○	○	○
37	Speed display	25	A5	0	○	○	○	○	○	○	○	○	○	○
41	Up-to-frequency sensitivity	29	A9	0	○	○	○	×	×	○	×	○	○	○
42	Output frequency detection	2A	AA	0	○	○	○	○	○	○	○	○	○	○
43	Output frequency detection for reverse rotation	2B	AB	0	○	○	○	○	○	○	○	○	○	○
44	Second acceleration/ deceleration time	2C	AC	0	○	○	○	○	△	○	○	○	○	○
45	Second deceleration time	2D	AD	0	○	○	○	○	△	○	○	○	○	○
46	Second torque boost	2E	AE	0	○	×	×	×	×	×	×	○	○	○
47	Second V/F (base frequency)	2F	AF	0	○	×	×	×	×	×	×	○	○	○
48	Second stall prevention operation current	30	B0	0	○	○	×	×	×	×	×	○	○	○
49	Second stall prevention operation frequency	31	B1	0	○	○	×	×	×	×	×	○	○	○
50	Second output frequency detection	32	B2	0	○	○	○	○	○	○	○	○	○	○
51	Second electronic thermal O/L relay	33	B3	0	○	○	○	○	○	○	○	○	○	○
52	DU/PU main display data selection	34	B4	0	○	○	○	○	○	○	○	○	○	○
54	FM terminal function selection	36	B6	0	○	○	○	○	○	○	○	○	○	○
55	Frequency monitoring reference	37	B7	0	○	○	○	○	○	○	○	○	○	○
56	Current monitoring reference	38	B8	0	○	○	○	○	○	○	○	○	○	○
57	Restart coasting time	39	B9	0	○	○	○	○	×	○	○	○	○	○
58	Restart cushion time	3A	BA	0	○	○	×	×	×	×	×	○	○	○
59	Remote function selection	3B	BB	0	○	○	○	○	×	○	○	○	○	○
60	Energy saving control selection	3C	BC	0	○	○	×	×	×	×	×	○	○	○
61	Reference current	3D	BD	0	○	○	○	×	×	○	×	○	○	○
62	Reference value at acceleration	3E	BE	0	○	○	○	×	×	○	×	○	○	○
63	Reference value at dcceleration	3F	BF	0	○	○	○	×	×	○	×	○	○	○
64	Starting frequency for elevator mode	40	C0	0	○	×	×	×	×	×	×	○	○	○
65	Retry selection	41	C1	0	○	○	○	○	×	○	○	○	○	○
66	Stall prevention operation reduction starting frequency	42	C2	0	○	○	×	×	×	×	×	○	○	○
67	Number of retries at alarm occurrence	43	C3	0	○	○	○	○	×	○	○	○	○	○
68	Retry waiting time	44	C4	0	○	○	○	○	×	○	○	○	○	○
69	Retry count display erase	45	C5	0	○	○	○	○	×	○	○	○	○	○
70	Special regenerative brake duty	46	C6	0	○	○	○	○	○	○	○	○	○	○

Parameter	Name	Instruction Code *1			Control Mode-based Correspondence Table *2							Parameter Copy *3	Parameter Clear *3	All Parameter Clear *3
		Read	Write	Extended	V/F Control	Advanced magnetic flux vector control	Vector control			Real sensorless vector control				
							Speed control	Torque control	Position control	Speed control	Torque control			
71	Applied motor	47	C7	0	○	○	○	○	○	○	○	○	○	○
72	PWM frequency selection	48	C8	0	○	○	○	○	○	○	○	○	○	○
73	Analog input selection	49	C9	0	○	○	○	○	×	○	○	○	○	○
74	Input filter time constant	4A	CA	0	○	○	○	○	×	○	○	○	○	○
75	Reset selection/ disconnected PU detection/ PU stop selection	4B	CB	0	○	○	○	○	○	○	○	○	×	×
76	Alarm code output selection	4C	CC	0	○	○	○	○	○	○	○	○	○	○
77	Parameter write selection	4D	CD	0	○	○	○	○	○	○	○	○	○	○
78	Reverse rotation prevention selection	4E	CE	0	○	○	○	○	○	○	○	○	○	○
79	Operation mode selection	4F	CF	0	○	○	○	○	○	○	○	○	○	○
80	Motor capacity	50	D0	0	×	○	○	○	○	○	○	○	○	○
81	Number of motor poles	51	D1	0	×	○	○	○	○	○	○	○	○	○
82	Motor excitation current	52	D2	0	×	○	○	○	○	○	○	○	×	○
83	Motor rated voltage	53	D3	0	×	○	○	○	○	○	○	○	○	○
84	Rated motor frequency	54	D4	0	×	○	○	○	○	○	○	○	○	○
89	Speed control gain (magnetic flux vector)	59	D9	0	×	○	×	×	×	×	×	○	×	○
90	Motor constant (R1)	5A	DA	0	×	○	○	○	○	○	○	○	×	○
91	Motor constant (R2)	5B	DB	0	×	○	○	○	○	○	○	○	×	○
92	Motor constant (L1)	5C	DC	0	×	○	○	○	○	○	○	○	×	○
93	Motor constant (L2)	5D	DD	0	×	○	○	○	○	○	○	○	×	○
94	Motor constant (X)	5E	DE	0	×	○	○	○	○	○	○	○	×	○
95	Online auto tuning selection	5F	DF	0	×	○	○	○	○	○	○	○	○	○
96	Auto tuning setting/status	60	E0	0	×	○	○	○	○	○	○	○	×	○
100	V/F1(first frequency)	00	80	1	○	×	×	×	×	×	×	○	○	○
101	V/F1(first frequency voltage)	01	81	1	○	×	×	×	×	×	×	○	○	○
102	V/F2(second frequency)	02	82	1	○	×	×	×	×	×	×	○	○	○
103	V/F2(second frequency voltage)	03	83	1	○	×	×	×	×	×	×	○	○	○
104	V/F3(third frequency)	04	84	1	○	×	×	×	×	×	×	○	○	○
105	V/F3(third frequency voltage)	05	85	1	○	×	×	×	×	×	×	○	○	○
106	V/F4(fourth frequency)	06	86	1	○	×	×	×	×	×	×	○	○	○
107	V/F4(fourth frequency voltage)	07	87	1	○	×	×	×	×	×	×	○	○	○
108	V/F5(fifth frequency)	08	88	1	○	×	×	×	×	×	×	○	○	○
109	V/F5(fifth frequency voltage)	09	89	1	○	×	×	×	×	×	×	○	○	○
110	Third acceleration/ deceleration time	0A	8A	1	○	○	○	○	△	○	○	○	○	○
111	Third deceleration time	0B	8B	1	○	○	○	○	△	○	○	○	○	○
112	Third torque boost	0C	8C	1	○	×	×	×	×	×	×	○	○	○
113	Third V/F (base frequency)	0D	8D	1	○	×	×	×	×	×	×	○	○	○
114	Third stall prevention operation current	0E	8E	1	○	○	×	×	×	×	×	○	○	○
115	Third stall prevention operation frequency	0F	8F	1	○	○	×	×	×	×	×	○	○	○
116	Third output frequency detection	10	90	1	○	○	○	○	○	○	○	○	○	○

* Read and write from communication with PU connector only is enabled.

Parameter	Name	Instruction Code *1			Control Mode-based Correspondence Table *2							Parameter Copy *3	Parameter Clear *3	All Parameter Clear *3
		Read	Write	Extended	V/F Control	Advanced magnetic flux vector control	Vector control			Real sensorless vector control				
							Speed control	Torque control	Position control	Speed control	Torque control			
117	PU communication station number	11	91	1	○	○	○	○	○	○	○	○	○	○
118	PU communication speed	12	92	1	○	○	○	○	○	○	○	○	○	○
119	PU communication stop bit length	13	93	1	○	○	○	○	○	○	○	○	○	○
120	PU communication parity check	14	94	1	○	○	○	○	○	○	○	○	○	○
121	Number of PU communication retries	15	95	1	○	○	○	○	○	○	○	○	○	○
122	PU communication check time interval	16	96	1	○	○	○	○	○	○	○	○	○	○
123	PU communication waiting time setting	17	97	1	○	○	○	○	○	○	○	○	○	○
124	PU communication CR/LF presence/absence selection	18	98	1	○	○	○	○	○	○	○	○	○	○
125	Terminal 2 frequency setting gain frequency	19	99	1	○	○	○	○	×	○	○	○	×	○
126	Terminal 4 frequency setting gain frequency	1A	9A	1	○	○	○	○	×	○	○	○	×	○
127	PID control automatic switchover frequency	1B	9B	1	○	○	○	×	×	○	×	○	○	○
128	PID action selection	1C	9C	1	○	○	○	×	×	○	×	○	○	○
129	PID proportional band	1D	9D	1	○	○	○	×	×	○	×	○	○	○
130	PID integral time	1E	9E	1	○	○	○	×	×	○	×	○	○	○
131	PID upper limit	1F	9F	1	○	○	○	×	×	○	×	○	○	○
132	PID lower limit	20	A0	1	○	○	○	×	×	○	×	○	○	○
133	PID action set point	21	A1	1	○	○	○	×	×	○	×	○	○	○
134	PID differential time	22	A2	1	○	○	○	×	×	○	×	○	○	○
135	Electronic bypass sequence selection	23	A3	1	○	○	○	×	×	○	×	○	○	○
136	MC switchover interlock time	24	A4	1	○	○	○	×	×	○	×	○	○	○
137	Start waiting time	25	A5	1	○	○	○	×	×	○	×	○	○	○
138	Bypass selection at an alarm	26	A6	1	○	○	○	×	×	○	×	○	○	○
139	Automatic switchover frequency from inverter to bypass operation	27	A7	1	○	○	○	×	×	○	×	○	○	○
140	Backlash acceleration stopping frequency	28	A8	1	○	○	○	○	×	○	○	○	○	○
141	Backlash acceleration stopping time	29	A9	1	○	○	○	○	×	○	○	○	○	○
142	Backlash deceleration stopping frequency	2A	AA	1	○	○	○	○	×	○	○	○	○	○
143	Backlash deceleration stopping time	2B	AB	1	○	○	○	○	×	○	○	○	○	○
144	Speed setting switchover	2C	AC	1	○	○	○	○	○	○	○	○	○	○
145	PU display language selection	2D	AD	1	○	○	○	○	○	○	○	○	×	×
148	Stall prevention level at 0V input	30	B0	1	○	○	×	×	×	×	×	○	○	○
149	Stall prevention level at 10V input	31	B1	1	○	○	×	×	×	×	×	○	○	○
150	Output current detection level	32	B2	1	○	○	○	○	○	○	○	○	○	○

Parameter	Name	Instruction Code *1			Control Mode-based Correspondence Table *2							Parameter Copy *3	Parameter Clear *3	All Parameter Clear *3
		Read	Write	Extended	V/F Control	Advanced magnetic flux vector control	Vector control			Real sensorless vector control				
							Speed control	Torque control	Position control	Speed control	Torque control			
151	Output current detection signal delay time	33	B3	1	○	○	○	○	○	○	○	○	○	○
152	Zero current detection level	34	B4	1	○	○	○	○	○	○	○	○	○	○
153	Zero current detection time	35	B5	1	○	○	○	○	○	○	○	○	○	○
154	Voltage reduction selection during stall prevention operation	36	B6	1	○	○	×	×	×	×	×	○	○	○
155	RT signal function validity condition selection	37	B7	1	○	○	○	×	×	○	×	○	○	○
156	Stall prevention operation selection	38	B8	1	○	○	×	×	×	×	×	○	○	○
157	OL signal output timer	39	B9	1	○	○	○	○	○	○	○	○	○	○
158	AM terminal function selection	3A	BA	1	○	○	○	○	○	○	○	○	○	○
159	Automatic switchover frequency range from bypass to inverter operation	3B	BB	1	○	○	○	×	×	○	×	○	○	○
160	User group read selection	00	80	2	○	○	○	○	○	○	○	○	○	○
161	Frequency setting/key lock operation selection	01	81	2	○	○	○	○	○	○	○	○	×	○
162	Automatic restart after instantaneous power failure selection	02	82	2	○	○	○	○	×	○	○	○	○	○
163	First cushion time for restart	03	83	2	○	○	×	×	×	×	×	○	○	○
164	First cushion voltage for restart	04	84	2	○	○	×	×	×	×	×	○	○	○
165	Stall prevention operation level for restart	05	85	2	○	○	×	×	×	×	×	○	○	○
166	Output current detection signal retention time	06	86	2	○	○	○	○	○	○	○	○	○	○
167	Output current detection operation selection	07	87	2	○	○	○	○	○	○	○	○	○	○
168	Parameter for manufacturer setting. Do not set.													
169														
170	Watt-hour meter clear	0A	8A	2	○	○	○	○	○	○	○	○	×	○
171	Operation hour meter clear	0B	8B	2	○	○	○	○	○	○	○	×	×	×
172	User group registered display/batch clear	0C	8C	2	○	○	○	○	○	○	○	○	×	×
173	User group registration	0D	8D	2	○	○	○	○	○	○	○	×	×	×
174	User group clear	0E	8E	2	○	○	○	○	○	○	○	×	×	×
178	STF terminal function selection	12	92	2	○	○	○	○	○	○	○	○	×	○
179	STR terminal function selection	13	93	2	○	○	○	○	○	○	○	○	×	○
180	RL terminal function selection	14	94	2	○	○	○	○	○	○	○	○	×	○
181	RM terminal function selection	15	95	2	○	○	○	○	○	○	○	○	×	○
182	RH terminal function selection	16	96	2	○	○	○	○	○	○	○	○	×	○
183	RT terminal function selection	17	97	2	○	○	○	○	○	○	○	○	×	○
184	AU terminal function selection	18	98	2	○	○	○	○	○	○	○	○	×	○
185	JOG terminal function selection	19	99	2	○	○	○	○	○	○	○	○	×	○

Parameter	Name	Instruction Code *1			Control Mode-based Correspondence Table *2							Parameter Copy *3	Parameter Clear *3	All Parameter Clear *3
		Read	Write	Extended	V/F Control	Advanced magnetic flux vector control	Vector control			Real sensorless vector control				
							Speed control	Torque control	Position control	Speed control	Torque control			
186	CS terminal function selection	1A	9A	2	○	○	○	○	○	○	○	○	×	○
187	MRS terminal function selection	1B	9B	2	○	○	○	○	○	○	○	○	×	○
188	STOP terminal function selection	1C	9C	2	○	○	○	○	○	○	○	○	×	○
189	RES terminal function selection	1D	9D	2	○	○	○	○	○	○	○	○	×	○
190	RUN terminal function selection	1E	9E	2	○	○	○	○	○	○	○	○	×	○
191	SU terminal function selection	1F	9F	2	○	○	○	○	○	○	○	○	×	○
192	IPF terminal function selection	20	A0	2	○	○	○	○	○	○	○	○	×	○
193	OL terminal function selection	21	A1	2	○	○	○	○	○	○	○	○	×	○
194	FU terminal function selection	22	A2	2	○	○	○	○	○	○	○	○	×	○
195	ABC1 terminal function selection	23	A3	2	○	○	○	○	○	○	○	○	×	○
196	ABC2 terminal function selection	24	A4	2	○	○	○	○	○	○	○	○	×	○
232	Multi-speed setting (speed 8)	28	A8	2	○	○	○	○	△	○	○	○	○	○
233	Multi-speed setting (speed 9)	29	A9	2	○	○	○	○	△	○	○	○	○	○
234	Multi-speed setting (speed 10)	2A	AA	2	○	○	○	○	△	○	○	○	○	○
235	Multi-speed setting (speed 11)	2B	AB	2	○	○	○	○	△	○	○	○	○	○
236	Multi-speed setting (speed 12)	2C	AC	2	○	○	○	○	△	○	○	○	○	○
237	Multi-speed setting (speed 13)	2D	AD	2	○	○	○	○	△	○	○	○	○	○
238	Multi-speed setting (speed 14)	2E	AE	2	○	○	○	○	△	○	○	○	○	○
239	Multi-speed setting (speed 15)	2F	AF	2	○	○	○	○	△	○	○	○	○	○
240	Soft-PWM operation selection	30	B0	2	○	○	○	○	○	○	○	○	○	○
241	Analog input display unit switchover	31	B1	2	○	○	○	○	○	○	○	○	○	○
242	Terminal 1 added compensation amount (terminal 2)	32	B2	2	○	○	○	○	×	○	○	○	○	○
243	Terminal 1 added compensation amount (terminal 4)	33	B3	2	○	○	○	○	×	○	○	○	○	○
244	Cooling fan operation selection	34	B4	2	○	○	○	○	○	○	○	○	○	○
245	Rated slip	35	B5	2	○	×	×	×	×	×	×	○	○	○
246	Slip compensation time constant	36	B6	2	○	×	×	×	×	×	×	○	○	○
247	Constant-power region slip compensation selection	37	B7	2	○	×	×	×	×	×	×	○	○	○
250	Stop selection	3A	BA	2	○	○	○	○	×	○	○	○	○	○
251	Output phase failure protection selection	3B	BB	2	○	○	○	○	○	○	○	○	○	○
252	Override bias	3C	BC	2	○	○	○	○	×	○	○	○	○	○
253	Override gain	3D	BD	2	○	○	○	○	×	○	○	○	○	○
255	Life alarm status display	3F	BF	2	○	○	○	○	○	○	○	×	×	×
256	Inrush current limit circuit life display	40	C0	2	○	○	○	○	○	○	○	×	×	×

Parameter	Name	Instruction Code *1			Control Mode-based Correspondence Table *2							Parameter Copy *3	Parameter Clear *3	All Parameter Clear *3
		Read	Write	Extended	V/F Control	Advanced magnetic flux vector control	Vector control			Real sensorless vector control				
							Speed control	Torque control	Position control	Speed control	Torque control			
257	Control circuit capacitor life display	41	C1	2	○	○	○	○	○	○	○	×	×	×
258	Main circuit capacitor life display	42	C2	2	○	○	○	○	○	○	○	×	×	×
259	Main circuit capacitor life measuring	43	C3	2	○	○	○	○	○	○	○	○	○	○
260	PWM frequency automatic switchover	44	C4	2	○	○	○	○	○	○	○	○	○	○
261	Power failure stop selection	45	C5	2	○	○	○	○	×	○	○	○	○	○
262	Subtracted frequency at deceleration start	46	C6	2	○	○	○	○	×	○	○	○	○	○
263	Subtraction starting frequency	47	C7	2	○	○	○	○	×	○	○	○	○	○
264	Power-failure deceleration time 1	48	C8	2	○	○	○	○	×	○	○	○	○	○
265	Power-failure deceleration time 2	49	C9	2	○	○	○	○	×	○	○	○	○	○
266	Power failure deceleration time switchover frequency	4A	CA	2	○	○	○	○	×	○	○	○	○	○
267	Terminal 4 input selection	4B	CB	2	○	○	○	○	○	○	○	○	×	○
268	Monitor decimal digits selection	4C	CC	2	○	○	○	○	○	○	○	○	○	○
269	Parameter for manufacturer setting. Do not set.													
270	Stop-on contact/load torque high-speed frequency control selection	4E	CE	2	○	○	○	×	×	○	×	○	○	○
271	High-speed setting maximum current	4F	CF	2	○	○	○	×	×	○	×	○	○	○
272	Middle-speed setting minimum current	50	D0	2	○	○	○	×	×	○	×	○	○	○
273	Current averaging range	51	D1	2	○	○	○	×	×	○	×	○	○	○
274	Current averaging filter time constant	52	D2	2	○	○	○	×	×	○	×	○	○	○
275	Stop-on contact excitation current low-speed multiplying factor	53	D3	2	×	○	×	×	×	×	×	○	○	○
276	PWM carrier frequency at stop-on contact	54	D4	2	×	○	×	×	×	×	×	○	○	○
278	Brake opening frequency	56	D6	2	×	○	○	×	×	○	×	○	○	○
279	Brake opening current	57	D7	2	×	○	○	×	×	○	×	○	○	○
280	Brake opening current detection time	58	D8	2	×	○	○	×	×	○	×	○	○	○
281	Brake operation time at start	59	D9	2	×	○	○	×	×	○	×	○	○	○
282	Brake operation frequency	5A	DA	2	×	○	○	×	×	○	×	○	○	○
283	Brake operation time at stop	5B	DB	2	×	○	○	×	×	○	×	○	○	○
284	Deceleration detection function selection	5C	DC	2	○	○	○	×	×	×	×	○	○	○
285	Overspeed detection frequency (Excessive speed deviation detection frequency)	5D	DD	2	○	○	○	×	×	○	×	○	○	○
286	Droop gain	5E	DE	2	×	○	○	×	×	○	×	○	○	○
287	Droop filter time constant	5F	DF	2	×	○	○	×	×	○	×	○	○	○
288	Droop function activation selection	60	E0	2	×	×	○	×	×	○	×	○	○	○
291	Pulse train I/O selection	63	E3	2	○	○	○	○	×	○	○	○	×	○

Parameter	Name	Instruction Code *1			Control Mode-based Correspondence Table *2							Parameter Copy *3	Parameter Clear *3	All Parameter Clear *3
		Read	Write	Extended	V/F Control	Advanced magnetic flux vector control	Vector control			Real sensorless vector control				
							Speed control	Torque control	Position control	Speed control	Torque control			
292	Automatic acceleration/deceleration	64	E4	2	○	○	○	×	×	○	×	○	○	○
293	Acceleration/deceleration time individual calculation selection	65	E5	2	○	○	○	×	×	○	×	○	○	○
294	UV avoidance voltage gain	66	E6	2	○	○	○	○	×	○	○	○	○	○
299	Rotation direction detection selection at restarting	6B	EB	2	○	○	×	×	×	○	×	○	○	○
300	BCD input bias [AX]	00	80	3	○	○	○	○	×	○	○	○	○	○
301	BCD input gain [AX]	01	81	3	○	○	○	○	×	○	○	○	○	○
302	BIN input bias [AX]	02	82	3	○	○	○	○	×	○	○	○	○	○
303	BIN input gain [AX]	03	83	3	○	○	○	○	×	○	○	○	○	○
304	Digital input and analog input compensation enable/disable selection [AX]	04	84	3	○	○	○	○	×	○	○	○	○	○
305	Read timing operation selection [AX]	05	85	3	○	○	○	○	×	○	○	○	○	○
306	Analog output signal selection [AY]	06	86	3	○	○	○	○	○	○	○	○	○	○
307	Setting for zero analog output [AY]	07	87	3	○	○	○	○	○	○	○	○	○	○
308	Setting for maximum analog output [AY]	08	88	3	○	○	○	○	○	○	○	○	○	○
309	Analog output signal voltage/current switchover [AY]	09	89	3	○	○	○	○	○	○	○	○	○	○
310	Analog meter voltage output selection [AY]	0A	8A	3	○	○	○	○	○	○	○	○	○	○
311	Setting for zero analog meter voltage output [AY]	0B	8B	3	○	○	○	○	○	○	○	○	○	○
312	Setting for maximum analog meter voltage output [AY]	0C	8C	3	○	○	○	○	○	○	○	○	○	○
313	DO0 output selection [AY] [NC]	0D	8D	3	○	○	○	○	○	○	○	○	○	○
314	DO1 output selection [AY] [NC]	0E	8E	3	○	○	○	○	○	○	○	○	○	○
315	DO2 output selection [AY] [NC]	0F	8F	3	○	○	○	○	○	○	○	○	○	○
316	DO3 output selection [AY]	10	90	3	○	○	○	○	○	○	○	○	○	○
317	DO4 output selection [AY]	11	91	3	○	○	○	○	○	○	○	○	○	○
318	DO5 output selection [AY]	12	92	3	○	○	○	○	○	○	○	○	○	○
319	DO6 output selection [AY]	13	93	3	○	○	○	○	○	○	○	○	○	○
320	RA1 output selection [AR]	14	94	3	○	○	○	○	○	○	○	○	○	○
321	RA2 output selection [AR]	15	95	3	○	○	○	○	○	○	○	○	○	○
322	RA3 output selection [AR]	16	96	3	○	○	○	○	○	○	○	○	○	○
323	AM0 0V adjustment [AY]	17	97	3	○	○	○	○	○	○	○	○	×	○
324	AM1 0mA adjustment [AY]	18	98	3	○	○	○	○	○	○	○	○	×	○
329	Digital input unit selection [AX]	1D	9D	3	○	○	○	○	×	○	○	○	×	○
331	RS-485 communication station	1F	9F	3	○	○	○	○	○	○	○	○	○	○

Parameter	Name	Instruction Code *1			Control Mode-based Correspondence Table *2							Parameter Copy *3	Parameter Clear *3	All Parameter Clear *3
		Read	Write	Extended	V/F Control	Advanced magnetic flux vector control	Vector control			Real sensorless vector control				
							Speed control	Torque control	Position control	Speed control	Torque control			
332	RS-485 communication speed	20	A0	3	○	○	○	○	○	○	○	○	○	○
333	RS-485 communication stop bit length	21	A1	3	○	○	○	○	○	○	○	○	○	○
334	RS-485 communication parity check selection	22	A2	3	○	○	○	○	○	○	○	○	○	○
335	RS-485 communication retry count	23	A3	3	○	○	○	○	○	○	○	○	○	○
336	RS-485 communication check time interval	24	A4	3	○	○	○	○	○	○	○	○	○	○
337	RS-485 communication waiting time setting	25	A5	3	○	○	○	○	○	○	○	○	○	○
338	Communication operation command source	26	A6	3	○	○	○	○	○	○	○	○	○	○
339	Communication speed command source	27	A7	3	○	○	○	○	○	○	○	○	○	○
340	Communication startup mode selection	28	A8	3	○	○	○	○	○	○	○	○	○	○
341	RS-485 communication CR/LF selection	29	A9	3	○	○	○	○	○	○	○	○	○	○
342	Communication EEPROM write selection	2A	AA	3	○	○	○	○	○	○	○	○	○	○
343	Communication error count	2B	AB	3	○	○	○	○	○	○	○	×	×	×
345	DeviceNet address [ND]	2D	AD	3	○	○	○	○	○	○	○	○	○	○
346	DeviceNet baud rate [ND]	2E	AE	3	○	○	○	○	○	○	○	○	○	○
347	CANopen address [NCA]	2F	AF	3	○	○	○	○	○	○	○	○	○	○
348	CANopen baud rate [NCA]	30	B0	3	○	○	○	○	○	○	○	○	○	○
349	Communication reset selection [NC] [ND] [NL] [NP] [NCA]	31	B1	3	○	○	○	○	○	○	○	○	○	○
350	Stop position command selection [AP]	32	B2	3	○	○	○	×	×	×	×	○	○	○
351	Orientation speed [AP]	33	B3	3	○	○	○	×	×	×	×	○	○	○
352	Creep speed [AP]	34	B4	3	○	○	○	×	×	×	×	○	○	○
353	Creep switchover position [AP]	35	B5	3	○	○	○	×	×	×	×	○	○	○
354	Position loop switchover position [AP]	36	B6	3	○	○	○	×	×	×	×	○	○	○
355	DC injection brake start position [AP]	37	B7	3	○	○	○	×	×	×	×	○	○	○
356	Internal stop position command [AP]	38	B8	3	○	○	○	×	×	×	×	○	○	○
357	Orientation in-position zone [AP]	39	B9	3	○	○	○	×	×	×	×	○	○	○
358	Servo torque selection [AP]	3A	BA	3	○	○	○	×	×	×	×	○	○	○
359	Encoder rotation direction [AP]	3B	BB	3	○	○	○	○	○	○	○	○	○	○
360	16 bit data selection [AP]	3C	BC	3	○	○	○	×	×	×	×	○	○	○
361	Position shift [AP]	3D	BD	3	○	○	○	×	×	×	×	○	○	○
362	Orientation position loop gain [AP]	3E	BE	3	○	○	○	×	×	×	×	○	○	○
363	Completion signal output delay time [AP]	3F	BF	3	○	○	○	×	×	×	×	○	○	○

Parameter	Name	Instruction Code *1			Control Mode-based Correspondence Table *2							Parameter Copy *3	Parameter Clear *3	All Parameter Clear *3
		Read	Write	Extended	V/F Control	Advanced magnetic flux vector control	Vector control			Real sensorless vector control				
							Speed control	Torque control	Position control	Speed control	Torque control			
364	Encoder stop check time [AP]	40	C0	3	○	○	○	×	×	×	×	○	○	○
365	Orientation limit [AP]	41	C1	3	○	○	○	×	×	×	×	○	○	○
366	Recheck time [AP]	42	C2	3	○	○	○	×	×	×	×	○	○	○
367	Speed feedback range [AP]	43	C3	3	○	○	○	×	×	×	×	○	○	○
368	Feedback gain [AP]	44	C4	3	○	○	×	×	×	×	×	○	○	○
369	Number of encoder pulses [AP]	45	C5	3	○	○	○	○	○	○	○	○	○	○
374	Overspeed detection level [AP]	4A	CA	3	×	×	○	○	○	×	×	○	○	○
376	Encoder signal loss detection enable/disable selection [AP]	4C	CC	3	○	○	○	○	○	×	×	○	○	○
380	Acceleration S-pattern 1	50	D0	3	○	○	○	○	×	○	○	○	○	○
381	Deceleration S-pattern 1	51	D1	3	○	○	○	○	×	○	○	○	○	○
382	Acceleration S-pattern 2	52	D2	3	○	○	○	○	×	○	○	○	○	○
383	Deceleration S-pattern 2	53	D3	3	○	○	○	○	×	○	○	○	○	○
384	Input pulse division scaling factor	54	D4	3	○	○	○	○	×	○	○	○	○	○
385	Frequency for 0 input pulse	55	D5	3	○	○	○	○	×	○	○	○	○	○
386	Frequency for maximum input pulse	56	D6	3	○	○	○	○	×	○	○	○	○	○
387	Initial communication delay time [NL]	57	D7	3	○	○	○	○	○	○	○	○	○	○
388	Send time interval at hart beat [NL]	58	D8	3	○	○	○	○	○	○	○	○	○	○
389	Minimum sending time at hart beat [NL]	59	D9	3	○	○	○	○	○	○	○	○	○	○
390	% setting reference frequency [NL]	5A	DA	3	○	○	○	○	○	○	○	○	○	○
391	Receive time interval at hart beat [NL]	5B	DB	3	○	○	○	○	○	○	○	○	○	○
392	Event driven detection width [NL]	5C	DC	3	○	○	○	○	○	○	○	○	○	○
393	Orientation selection [AP]	5D	DD	3	×	×	○	×	×	×	×	○	○	○
396	Orientation speed gain (P term) [AP]	60	E0	3	×	×	○	×	×	×	×	○	○	○
397	Orientation speed integral time [AP]	61	E1	3	×	×	○	×	×	×	×	○	○	○
398	Orientation speed gain (D term) [AP]	62	E2	3	×	×	○	×	×	×	×	○	○	○
399	Orientation deceleration ratio [AP]	63	E3	3	×	×	○	×	×	×	×	○	○	○
414	PLC function operation selection	0E	8E	4	○	○	○	○	○	○	○	○	×	×
415	Inverter operation lock mode setting	0F	8F	4	○	○	○	○	○	○	○	○	○	○
416	Pre-scale function selection	10	90	4	○	○	○	○	○	○	○	○	○	○
417	Pre-scale setting value	11	91	4	○	○	○	○	○	○	○	○	○	○
419	Position command source selection [AP]	13	93	4	×	×	×	×	○	×	×	○	○	○

Parameter	Name	Instruction Code *1			Control Mode-based Correspondence Table *2							Parameter Copy *3	Parameter Clear *3	All Parameter Clear *3
		Read	Write	Extended	V/F Control	Advanced magnetic flux vector control	Vector control			Real sensorless vector control				
							Speed control	Torque control	Position control	Speed control	Torque control			
420	Command pulse scaling factor numerator [AP]	14	94	4	×	×	×	×	○	×	×	○	○	○
421	Command pulse scaling factor denominator [AP]	15	95	4	×	×	×	×	○	×	×	○	○	○
422	Position loop gain [AP]	16	96	4	×	×	×	×	○	×	×	○	○	○
423	Position feed forward gain [AP]	17	97	4	×	×	×	×	○	×	×	○	○	○
424	Position command acceleration/deceleration time constant [AP]	18	98	4	×	×	×	×	○	×	×	○	○	○
425	Position feed forward command filter [AP]	19	99	4	×	×	×	×	○	×	×	○	○	○
426	In-position width [AP]	1A	9A	4	×	×	×	×	○	×	×	○	○	○
427	Excessive level error [AP]	1B	9B	4	×	×	×	×	○	×	×	○	○	○
428	Command pulse selection [AP]	1C	9C	4	×	×	×	×	○	×	×	○	○	○
429	Clear signal selection [AP]	1D	9D	4	×	×	×	×	○	×	×	○	○	○
430	Pulse monitor selection [AP]	1E	9E	4	×	×	×	×	○	×	×	○	○	○
447	Digital torque command bias [AX]	2F	AF	4	×	×	×	○	×	×	○	○	○	○
448	Digital torque command gain [AX]	30	B0	4	×	×	×	○	×	×	○	○	○	○
450	Second applied motor	32	B2	4	○	○	×	×	×	○	○	○	○	○
451	Second motor control method selection	33	B3	4	○	○	×	×	×	○	○	○	○	○
453	Second motor capacity	35	B5	4	×	○	×	×	×	○	○	○	○	○
454	Number of second motor poles	36	B6	4	×	○	×	×	×	○	○	○	○	○
455	Second motor excitation current	37	B7	4	×	○	×	×	×	○	○	○	×	○
456	Rated second motor voltage	38	B8	4	×	○	×	×	×	○	○	○	○	○
457	Rated second motor frequency	39	B9	4	×	○	×	×	×	○	○	○	○	○
458	Second motor constant (R1)	3A	BA	4	×	○	×	×	×	○	○	○	×	○
459	Second motor constant (R2)	3B	BB	4	×	○	×	×	×	○	○	○	×	○
460	Second motor constant (L1)	3C	BC	4	×	○	×	×	×	○	○	○	×	○
461	Second motor constant (L2)	3D	BD	4	×	○	×	×	×	○	○	○	×	○
462	Second motor constant (X)	3E	BE	4	×	○	×	×	×	○	○	○	×	○
463	Second motor auto tuning setting/status	3F	BF	4	×	○	×	×	×	○	○	○	×	○
464	Digital position control sudden stop deceleration time [AP]	40	C0	4	×	×	×	×	○	×	×	○	○	○
465	First position feed amount lower 4 digits [AP]	41	C1	4	×	×	×	×	○	×	×	○	○	○
466	First position feed amount upper 4 digits [AP]	42	C2	4	×	×	×	×	○	×	×	○	○	○
467	Second position feed amount lower 4 digits [AP]	43	C3	4	×	×	×	×	○	×	×	○	○	○
468	Second position feed amount upper 4 digits [AP]	44	C4	4	×	×	×	×	○	×	×	○	○	○
469	Third position feed amount lower 4 digits [AP]	45	C5	4	×	×	×	×	○	×	×	○	○	○

Parameter	Name	Instruction Code *1			Control Mode-based Correspondence Table *2							Parameter Copy *3	Parameter Clear *3	All Parameter Clear *3
		Read	Write	Extended	V/F Control	Advanced magnetic flux vector control	Vector control			Real sensorless vector control				
							Speed control	Torque control	Position control	Speed control	Torque control			
470	Third position feed amount upper 4 digits [AP]	46	C6	4	×	×	×	×	○	×	×	○	○	○
471	Fourth position feed amount lower 4 digits [AP]	47	C7	4	×	×	×	×	○	×	×	○	○	○
472	Fourth position feed amount upper 4 digits [AP]	48	C8	4	×	×	×	×	○	×	×	○	○	○
473	Fifth position feed amount lower 4 digits [AP]	49	C9	4	×	×	×	×	○	×	×	○	○	○
474	Fifth position feed amount upper 4 digits [AP]	4A	CA	4	×	×	×	×	○	×	×	○	○	○
475	Sixth position feed amount lower 4 digits [AP]	4B	CB	4	×	×	×	×	○	×	×	○	○	○
476	Sixth position feed amount upper 4 digits [AP]	4C	CC	4	×	×	×	×	○	×	×	○	○	○
477	Seventh position feed amount lower 4 digits [AP]	4D	CD	4	×	×	×	×	○	×	×	○	○	○
478	Seventh position feed amount upper 4 digits [AP]	4E	CE	4	×	×	×	×	○	×	×	○	○	○
479	Eighth position feed amount lower 4 digits [AP]	4F	CF	4	×	×	×	×	○	×	×	○	○	○
480	Eighth position feed amount upper 4 digits [AP]	50	D0	4	×	×	×	×	○	×	×	○	○	○
481	Ninth position feed amount lower 4 digits [AP]	51	D1	4	×	×	×	×	○	×	×	○	○	○
482	Ninth position feed amount upper 4 digits [AP]	52	D2	4	×	×	×	×	○	×	×	○	○	○
483	Tenth position feed amount lower 4 digits [AP]	53	D3	4	×	×	×	×	○	×	×	○	○	○
484	Tenth position feed amount upper 4 digits [AP]	54	D4	4	×	×	×	×	○	×	×	○	○	○
485	Eleventh position feed amount lower 4 digits [AP]	55	D5	4	×	×	×	×	○	×	×	○	○	○
486	Eleventh position feed amount upper 4 digits [AP]	56	D6	4	×	×	×	×	○	×	×	○	○	○
487	Twelfth position feed amount lower 4 digits [AP]	57	D7	4	×	×	×	×	○	×	×	○	○	○
488	Twelfth position feed amount upper 4 digits [AP]	58	D8	4	×	×	×	×	○	×	×	○	○	○
489	Thirteenth position feed amount lower 4 digits [AP]	59	D9	4	×	×	×	×	○	×	×	○	○	○
490	Thirteenth position feed amount upper 4 digits [AP]	5A	DA	4	×	×	×	×	○	×	×	○	○	○
491	Fourteenth position feed amount lower 4 digits [AP]	5B	DB	4	×	×	×	×	○	×	×	○	○	○
492	Fourteenth position feed amount upper 4 digits [AP]	5C	DC	4	×	×	×	×	○	×	×	○	○	○
493	Fifteenth position feed amount lower 4 digits [AP]	5D	DD	4	×	×	×	×	○	×	×	○	○	○
494	Fifteenth position feed amount upper 4 digits [AP]	5E	DE	4	×	×	×	×	○	×	×	○	○	○
495	Remote output selection	5F	DF	4	○	○	○	○	○	○	○	○	○	○
496	Remote output data 1	60	E0	4	○	○	○	○	○	○	○	×	×	×
497	Remote output data 2	61	E1	4	○	○	○	○	○	○	○	×	×	×

Parameter	Name	Instruction Code *1			Control Mode-based Correspondence Table *2							Parameter Copy *3	Parameter Clear *3	All Parameter Clear *3
		Read	Write	Extended	V/F Control	Advanced magnetic flux vector control	Vector control			Real sensorless vector control				
							Speed control	Torque control	Position control	Speed control	Torque control			
498	PLC function flash memory clear	62	E2	4	○	○	○	○	○	○	○	×	×	×
500	Communication error execution waiting time [NC] [ND] [NL] [NP] [NCA]	00	80	5	○	○	○	○	○	○	○	○	○	○
501	Communication error occurrence count display [NC] [ND] [NL] [NP] [NCA]	01	81	5	○	○	○	○	○	○	○	×	○	○
502	Stop mode selection at communication error [NC] [ND] [NL] [NP] [NCA]	02	82	5	○	○	○	○	○	○	○	○	○	○
503	Maintenance timer	03	83	5	○	○	○	○	○	○	○	×	×	×
504	Maintenance timer alarm output set time	04	84	5	○	○	○	○	○	○	○	○	×	○
505	Speed setting reference	05	85	5	○	○	○	○	○	○	○	○	○	○
506	Parameter 1 for user	06	86	5	○	○	○	○	○	○	○	○	○	○
507	Parameter 2 for user	07	87	5	○	○	○	○	○	○	○	○	○	○
508	Parameter 3 for user	08	88	5	○	○	○	○	○	○	○	○	○	○
509	Parameter 4 for user	09	89	5	○	○	○	○	○	○	○	○	○	○
510	Parameter 5 for user	0A	8A	5	○	○	○	○	○	○	○	○	○	○
511	Parameter 6 for user	0B	8B	5	○	○	○	○	○	○	○	○	○	○
512	Parameter 7 for user	0C	8C	5	○	○	○	○	○	○	○	○	○	○
513	Parameter 8 for user	0D	8D	5	○	○	○	○	○	○	○	○	○	○
514	Parameter 9 for user	0E	8E	5	○	○	○	○	○	○	○	○	○	○
515	Parameter 10 for user	0F	8F	5	○	○	○	○	○	○	○	○	○	○
516	S-pattern time at a start of acceleration	10	90	5	○	○	○	○	×	○	○	○	○	○
517	S-pattern time at a completion of acceleration	11	91	5	○	○	○	○	×	○	○	○	○	○
518	S-pattern time at a start of deceleration	12	92	5	○	○	○	○	×	○	○	○	○	○
519	S-pattern time at a completion of deceleration	13	93	5	○	○	○	○	×	○	○	○	○	○
539	Modbus-RTU communication check time interval	27	A7	5	○	○	○	○	○	○	○	○	○	○
541	Frequency command sign selection (CC-Link) [NC]	29	A9	5	○	○	○	×	×	○	×	○	○	○
542	Communication station number (CC-Link) [NC]	2A	AA	5	○	○	○	○	○	○	○	○	○	○
543	Baud rate (CC-Link) [NC]	2B	AB	5	○	○	○	○	○	○	○	○	○	○
544	CC-Link extended setting [NC]	2C	AC	5	○	○	○	○	○	○	○	○	○	○
547	USB communication station number	2F	AF	5	○	○	○	○	○	○	○	○	○	○
548	USB communication check time interval	30	B0	5	○	○	○	○	○	○	○	○	○	○
549	Protocol selection	31	B1	5	○	○	○	○	○	○	○	○	○	○
550	NET mode operation command source selection	32	B2	5	○	○	○	○	○	○	○	○	○	○
551	PU mode operation command source selection	33	B3	5	○	○	○	○	○	○	○	○	○	○
555	Current average time	37	B7	5	○	○	○	○	○	○	○	○	○	○
556	Data output mask time	38	B8	5	○	○	○	○	○	○	○	○	○	○

Parameter	Name	Instruction Code *1			Control Mode-based Correspondence Table *2							Parameter Copy *3	Parameter Clear *3	All Parameter Clear *3	
		Read	Write	Extended	V/F Control	Advanced magnetic flux vector control	Vector control			Real sensorless vector control					
							Speed control	Torque control	Position control	Speed control	Torque control				
557	Current average value monitor signal output reference current	39	B9	5	○	○	○	○	○	○	○	○	○	○	
563	Energization time carrying-over times	3F	BF	5	○	○	○	○	○	○	○	○	×	×	×
564	Operating time carrying-over times	40	C0	5	○	○	○	○	○	○	○	○	×	×	×
569	Second motor speed control gain	45	C5	5	×	○	×	×	×	×	×	○	×	○	
570	Multiple rating setting	46	C6	5	○	○	○	○	○	○	○	○	×	×	
571	Holding time at a start	47	C7	5	○	○	○	○	×	○	○	○	○	○	
573	4mA input check selection	49	C9	5	○	○	○	○	×	○	○	○	○	○	
574	Second motor online auto tuning	4A	CA	5	×	○	×	×	×	○	○	○	○	○	
575	Output interruption detection time	4B	CB	5	○	○	○	×	×	○	×	○	○	○	
576	Output interruption detection level	4C	CC	5	○	○	○	×	×	○	×	○	○	○	
577	Output interruption cancel level	4D	CD	5	○	○	○	×	×	○	×	○	○	○	
592	Traverse function selection	5C	DC	5	○	○	○	×	×	○	×	○	○	○	
593	Maximum amplitude amount	5D	DD	5	○	○	○	×	×	○	×	○	○	○	
594	Amplitude compensation amount during deceleration	5E	DE	5	○	○	○	×	×	○	×	○	○	○	
595	Amplitude compensation amount during acceleration	5F	DF	5	○	○	○	×	×	○	×	○	○	○	
596	Amplitude acceleration time	60	E0	5	○	○	○	×	×	○	×	○	○	○	
597	Amplitude deceleration time	61	E1	5	○	○	○	×	×	○	×	○	○	○	
611	Acceleration time at a restart	0B	8B	6	○	○	○	×	×	○	×	○	○	○	
665	Regeneration avoidance frequency gain	41	C1	6	○	○	○	×	×	○	×	○	○	○	
684	Tuning data increments switchover	54	D4	6	×	○	○	○	○	○	○	○	○	○	
800	Control method selection	00	80	8	○	○	○	○	○	○	○	○	○	○	
802	Pre-excitation selection [AP]	02	82	8	×	×	○	×	×	×	×	○	○	○	
803	Constant power range torque characteristic selection	03	83	8	×	×	○	○	○	○	○	○	○	○	
804	Torque command source selection	04	84	8	×	×	×	○	×	×	○	○	○	○	
805	Torque command value (RAM)	05	85	8	×	×	×	○	×	×	○	×	○	○	
806	Torque command value (RAM,EEPROM)	06	86	8	×	×	×	○	×	×	○	○	○	○	
807	Speed limit selection	07	87	8	×	×	×	○	×	×	○	○	○	○	
808	Forward rotation speed limit	08	88	8	×	×	×	○	×	×	○	○	○	○	
809	Reverse rotation speed limit	09	89	8	×	×	×	○	×	×	○	○	○	○	
810	Torque limit input method selection	0A	8A	8	×	×	○	×	○	○	×	○	○	○	
811	Set resolution switchover	0B	8B	8	○	○	○	○	○	○	○	○	○	○	
812	Torque limit level (regeneration)	0C	8C	8	×	×	○	×	○	○	×	○	○	○	
813	Torque limit level (3rd quadrant)	0D	8D	8	×	×	○	×	○	○	×	○	○	○	
814	Torque limit level (4th quadrant)	0E	8E	8	×	×	○	×	○	○	×	○	○	○	
815	Torque limit level 2	0F	8F	8	×	×	○	×	○	○	×	○	○	○	

Parameter	Name	Instruction Code *1			Control Mode-based Correspondence Table *2							Parameter Copy *3	Parameter Clear *3	All Parameter Clear *3
		Read	Write	Extended	V/F Control	Advanced magnetic flux vector control	Vector control			Real sensorless vector control				
							Speed control	Torque control	Position control	Speed control	Torque control			
816	Torque limit level during acceleration	10	90	8	×	×	○	×	○	○	×	○	○	○
817	Torque limit level during deceleration	11	91	8	×	×	○	×	○	○	×	○	○	○
818	Easy gain tuning response level setting	12	92	8	×	×	○	×	○	○	×	○	○	○
819	Easy gain tuning selection	13	93	8	×	×	○	×	○	○	×	○	×	○
820	Speed control P gain 1	14	94	8	×	×	○	×	○	○	×	○	○	○
821	Speed control integral time 1	15	95	8	×	×	○	×	○	○	×	○	○	○
822	Speed setting filter 1	16	96	8	×	×	○	○	×	○	○	○	○	○
823	Speed detection filter 1 [AP]	17	97	8	×	×	○	○	○	×	×	○	○	○
824	Torque control P gain 1	18	98	8	×	×	○	○	○	○	○	○	○	○
825	Torque control integral time 1	19	99	8	×	×	○	○	○	○	○	○	○	○
826	Torque setting filter 1	1A	9A	8	×	×	○	○	○	○	○	○	○	○
827	Torque detection filter 1	1B	9B	8	×	×	○	○	○	○	○	○	○	○
828	Model speed control gain	1C	9C	8	×	×	○	×	○	○	×	○	○	○
830	Speed control P gain 2	1E	9E	8	×	×	○	×	○	○	×	○	○	○
831	Speed control integral time 2	1F	9F	8	×	×	○	×	○	○	×	○	○	○
832	Speed setting filter2	20	A0	8	×	×	○	○	×	○	○	○	○	○
833	Speed detection filter 2 [AP]	21	A1	8	×	×	○	×	○	×	×	○	○	○
834	Torque control P gain 2	22	A2	8	×	×	○	○	○	○	○	○	○	○
835	Torque control integral time 2	23	A3	8	×	×	○	○	○	○	○	○	○	○
836	Torque setting filter2	24	A4	8	×	×	○	○	○	○	○	○	○	○
837	Torque detection filter 2	25	A5	8	×	×	○	○	○	○	○	○	○	○
840	Torque bias selection [AP]	28	A8	8	×	×	○	×	×	×	×	○	○	○
841	Torque bias 1 [AP]	29	A9	8	×	×	○	×	×	×	×	○	○	○
842	Torque bias 2 [AP]	2A	AA	8	×	×	○	×	×	×	×	○	○	○
843	Torque bias 3 [AP]	2B	AB	8	×	×	○	×	×	×	×	○	○	○
844	Torque bias filter [AP]	2C	AC	8	×	×	○	×	×	×	×	○	○	○
845	Torque bias operation time [AP]	2D	AD	8	×	×	○	×	×	×	×	○	○	○
846	Torque bias balance compensation [AP]	2E	AE	8	×	×	○	×	×	×	×	○	○	○
847	Fall-time torque bias terminal 1 bias [AP]	2F	AF	8	×	×	○	×	×	×	×	○	○	○
848	Fall-time torque bias terminal 1 gain [AP]	30	B0	8	×	×	○	×	×	×	×	○	○	○
849	Analog input off set adjustment	31	B1	8	○	○	○	○	○	○	○	○	○	○
850	Control operation selection	32	B2	8	×	×	×	×	×	○	○	○	○	○
853	Speed deviation time [AP]	35	B5	8	×	×	○	×	×	×	×	○	○	○
854	Excitation ratio	36	B6	8	×	×	○	○	○	○	○	○	○	○
858	Terminal 4 function assignment	3A	BA	8	○	○	○	○	○	○	○	○	×	○
859	Torque current	3B	BB	8	×	○	○	○	○	○	○	○	×	○
860	Second motor torque current	3C	BC	8	×	○	×	×	×	○	○	○	×	○
862	Notch filter time constant	3E	BE	8	×	×	○	×	○	○	×	○	○	○
863	Notch filter depth	3F	BF	8	×	×	○	×	○	○	×	○	○	○
864	Torque detection	40	C0	8	×	×	○	○	○	○	○	○	○	○
865	Low speed detection	41	C1	8	×	×	○	○	○	○	○	○	○	○
866	Torque monitoring reference	42	C2	8	×	○	○	○	○	○	○	○	○	○

Parameter	Name	Instruction Code *1			Control Mode-based Correspondence Table *2							Parameter Copy *3	Parameter Clear *3	All Parameter Clear *3
		Read	Write	Extended	V/F Control	Advanced magnetic flux vector control	Vector control			Real sensorless vector control				
							Speed control	Torque control	Position control	Speed control	Torque control			
867	AM output filter	43	C3	8	○	○	○	○	○	○	○	○	○	○
868	Terminal 1 function assignment	44	C4	8	○	○	○	○	○	○	○	○	×	○
869	Current output filter	45	C5	8	○	○	○	○	○	○	○	○	○	○
872	Input phase failure protection selection	48	C8	8	○	○	○	○	○	○	○	○	○	○
873	Speed limit [AP]	49	C9	8	×	×	○	×	×	×	×	○	○	○
874	OLT level setting	4A	CA	8	×	×	○	×	○	○	×	○	○	○
875	Fault definition	4B	CB	8	○	○	○	○	×	○	○	○	○	○
877	Speed feed forward control/ model adaptive speed control selection	4D	CD	8	×	×	○	×	○	○	×	○	○	○
878	Speed feed forward filter	4E	CE	8	×	×	○	×	○	○	×	○	○	○
879	Speed feed forward torque limit	4F	CF	8	×	×	○	×	○	○	×	○	○	○
880	Load inertia ratio	50	D0	8	×	×	○	×	○	○	×	○	×	○
881	Speed feed forward gain	51	D1	8	×	×	○	×	○	○	×	○	○	○
882	Regeneration avoidance operation selection	52	D2	8	○	○	○	×	×	○	×	○	○	○
883	Regeneration avoidance operation level	53	D3	8	○	○	○	×	×	○	×	○	○	○
884	Regeneration avoidance at deceleration detection sensitivity	54	D4	8	○	○	○	×	×	○	×	○	○	○
885	Regeneration avoidance compensation frequency limit value	55	D5	8	○	○	○	×	×	○	×	○	○	○
886	Regeneration avoidance voltage gain	56	D6	8	○	○	○	×	×	○	×	○	○	○
888	Free parameter 1	58	D8	8	○	○	○	○	○	○	○	○	×	×
889	Free parameter 2	59	D9	8	○	○	○	○	○	○	○	○	×	×
891	Cumulative power monitor digit shifted times	5B	DB	8	○	○	○	○	○	○	○	○	○	○
892	Load factor	5C	DC	8	○	○	○	○	○	○	○	○	○	○
893	Energy saving monitor reference (motor capacity)	5D	DD	8	○	○	○	○	○	○	○	○	○	○
894	Control selection during commercial power-supply operation	5E	DE	8	○	○	○	○	○	○	○	○	○	○
895	Power saving rate reference value	5F	DF	8	○	○	○	○	○	○	○	○	○	○
896	Power unit cost	60	E0	8	○	○	○	○	○	○	○	○	○	○
897	Power saving monitor average time	61	E1	8	○	○	○	○	○	○	○	○	○	○
898	Power saving cumulative monitor clear	62	E2	8	○	○	○	○	○	○	○	○	×	○
899	Operation time rate (estimated value)	63	E3	8	○	○	○	○	○	○	○	○	○	○
C0 (900)	CA terminal calibration	5C	DC	1	○	○	○	○	○	○	○	○	×	○
C1 (901)	AM terminal calibration	5D	DD	1	○	○	○	○	○	○	○	○	×	○
C2 (902)	Terminal 2 frequency setting bias frequency	5E	DE	1	○	○	○	○	○	○	○	○	×	○
C3 (902)	Terminal 2 frequency setting bias	5E	DE	1	○	○	○	○	○	○	○	○	×	○

Parameter	Name	Instruction Code *1			Control Mode-based Correspondence Table *2							Parameter Copy *3	Parameter Clear *3	All Parameter Clear *3
		Read	Write	Extended	V/F Control	Advanced magnetic flux vector control	Vector control			Real sensorless vector control				
							Speed control	Torque control	Position control	Speed control	Torque control			
125 (903)	Terminal 2 frequency setting gain frequency	5F	DF	1	○	○	○	○	○	○	○	○	×	○
C4 (903)	Terminal 2 frequency setting gain	5F	DF	1	○	○	○	○	○	○	○	○	×	○
C5 (904)	Terminal 4 frequency setting bias frequency	60	E0	1	○	○	○	○	○	○	○	○	×	○
C6 (904)	Terminal 4 frequency setting bias	60	E0	1	○	○	○	○	○	○	○	○	×	○
126 (905)	Terminal 4 frequency setting gain frequency	61	E1	1	○	○	○	○	○	○	○	○	×	○
C7 (905)	Terminal 4 frequency setting gain	61	E1	1	○	○	○	○	○	○	○	○	×	○
C8 (930)	Current output bias signal	1E	9E	9	○	○	○	○	○	○	○	○	○	○
C9 (930)	Current output bias current	1E	9E	9	○	○	○	○	○	○	○	○	○	○
C10 (931)	Current output gain signal	1F	9F	9	○	○	○	○	○	○	○	○	○	○
C11 (931)	Current output gain current	1F	9F	9	○	○	○	○	○	○	○	○	○	○
C12 (917)	Terminal 1 bias frequency (speed)	11	91	9	×	×	○	○	○	○	○	○	×	○
C13 (917)	Terminal 1 bias frequency (speed)	11	91	9	×	×	○	○	○	○	○	○	×	○
C14 (918)	Terminal 1 gain frequency (speed)	12	92	9	×	×	○	○	○	○	○	○	×	○
C15 (918)	Terminal 1 gain (speed)	12	92	9	×	×	○	○	○	○	○	○	×	○
C16 (919)	Terminal 1 bias command (torque/magnetic flux)	13	93	9	×	×	○	○	○	○	○	○	×	○
C17 (919)	Terminal 1 bias (torque/magnetic flux)	13	93	9	×	×	○	○	○	○	○	○	×	○
C18 (920)	Terminal 1 gain command (torque/magnetic flux)	14	94	9	×	×	○	○	○	○	○	○	×	○
C19 (920)	Terminal 1 gain (torque/magnetic flux)	14	94	9	×	×	○	○	○	○	○	○	×	○
C38 (932)	Terminal 4 bias command (torque/magnetic flux)	20	A0	9	×	×	○	○	○	○	○	○	×	○
C39 (932)	Terminal 4 bias (torque/magnetic flux)	20	A0	9	×	×	○	○	○	○	○	○	×	○
C40 (933)	Terminal 4 gain command (torque/magnetic flux)	21	A1	9	×	×	○	○	○	○	○	○	×	○
C41 (933)	Terminal 4 gain (torque/magnetic flux)	21	A1	9	×	×	○	○	○	○	○	○	×	○
989	Parameter copy alarm release	59	D9	9	○	○	○	○	○	○	○	○	×	○
990	PU buzzer control	5A	DA	9	○	○	○	○	○	○	○	○	○	○
991	PU contrast adjustment	5B	DB	9	○	○	○	○	○	○	○	○	×	○

